



US00D792485S

(12) **United States Design Patent**  
**Guggino et al.**

(10) **Patent No.:** **US D792,485 S**

(45) **Date of Patent:** **\*\* Jul. 18, 2017**

- (54) **SNOW BASKET**
- (71) Applicant: **Pro-Tech Manufacturing and Distribution, Inc.**, Rochester, NY (US)
- (72) Inventors: **Michael J. Guggino**, Bloomfield, NY (US); **James Maier**, Ontario, NY (US); **Thomas B. Maier**, Oakfield, NY (US)
- (73) Assignee: **Pro-Tech Manufacturing and Distribution, Inc.**, Rochester, NY (US)

D496,052 S \* 9/2004 Braime ..... B29C 45/2673  
D15/32  
D616,469 S \* 5/2010 Ballinger ..... D15/32  
D721,743 S \* 1/2015 Taylor ..... D15/21  
D748,157 S \* 1/2016 Phillips ..... D15/32

(\*\*) Term: **15 Years**

(21) Appl. No.: **29/568,993**

(22) Filed: **Jun. 22, 2016**

(51) **LOC (10) Cl.** ..... **15-03**

(52) **U.S. Cl.**  
USPC ..... **D15/32**

(58) **Field of Classification Search**  
USPC ..... D15/10, 11, 22-26, 28, 32  
CPC .... E01H 5/06-5/062; E02F 3/76; E02F 3/848  
See application file for complete search history.

(56) **References Cited**

**U.S. PATENT DOCUMENTS**

- D20,906 S \* 6/1891 Stuebner ..... D15/32
- 4,705,449 A \* 11/1987 Christianson ..... E02F 9/163  
180/6.5
- D312,261 S \* 11/1990 Burke ..... D15/32
- D322,792 S \* 12/1991 Park ..... D15/25
- D336,091 S \* 6/1993 Kovalak ..... D15/32
- 5,240,366 A \* 8/1993 Bamford ..... B60K 20/00  
212/261
- D344,526 S \* 2/1994 Kallen ..... D15/32
- D357,260 S \* 4/1995 Kallen ..... D15/32
- D366,024 S \* 1/1996 Young ..... D12/425
- 5,807,061 A \* 9/1998 Donoghue ..... E02F 3/3411  
414/697
- D425,527 S \* 5/2000 Deyo ..... D15/32

**OTHER PUBLICATIONS**

Atlantic Attachments Snow Removal; web page: [www.atlanticattachmentservices.com/snowremovalequipment/](http://www.atlanticattachmentservices.com/snowremovalequipment/), 6 pages; Nov. 1, 2016.

(Continued)

*Primary Examiner* — Mark Goodwin

(74) *Attorney, Agent, or Firm* — Duane C. Basch; Basch & Nickerson LLP

(57) **CLAIM**

The ornamental design for a snow basket, as shown and described.

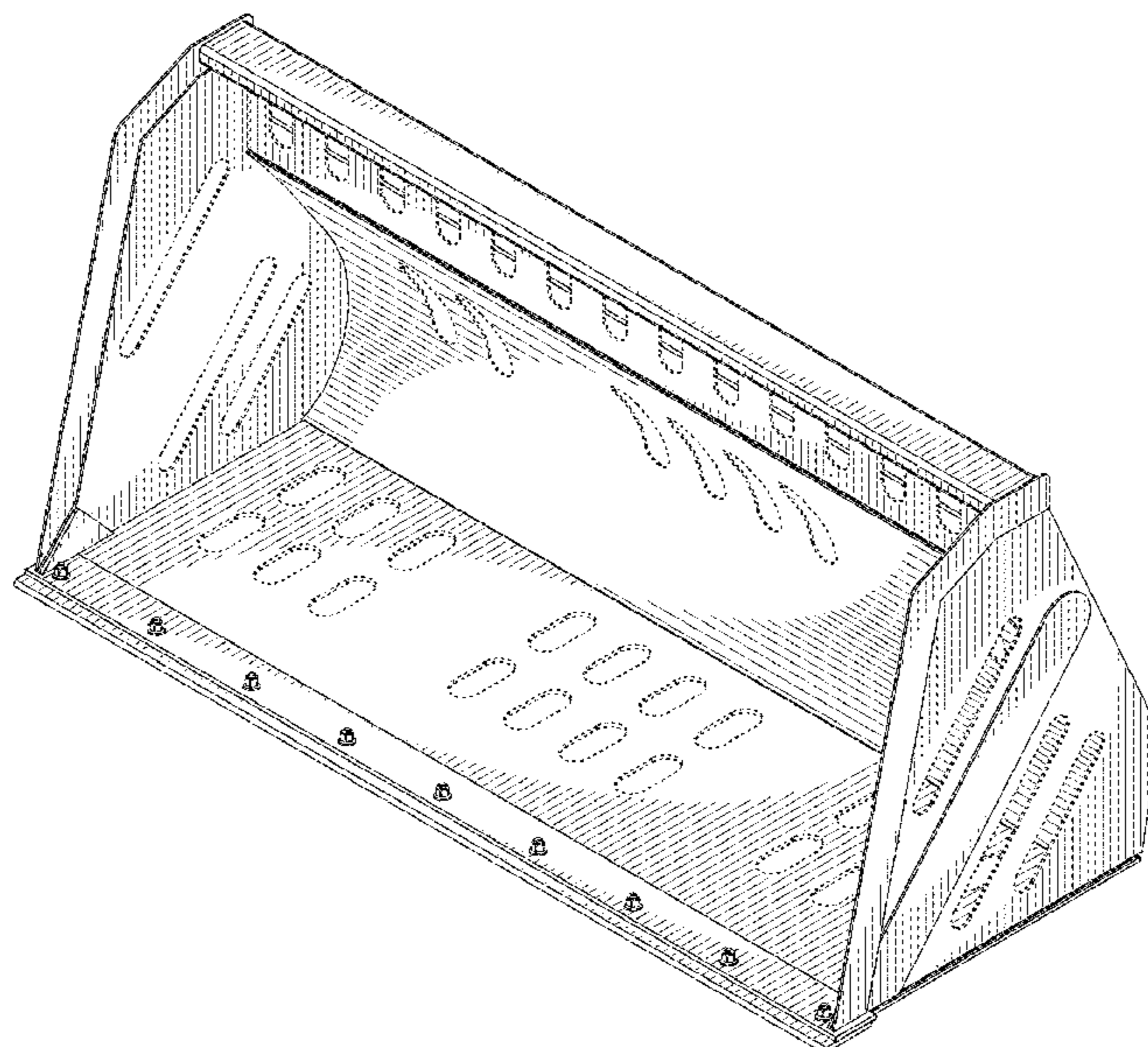
**DESCRIPTION**

FIG. 1 is a perspective view of the top, front and right sides of a snow basket shown in a typical use configuration; FIG. 2 is a front elevation view of the snow basket; FIG. 3 is a right side elevation view of the snow basket; FIG. 4 is a rear elevation view of the snow basket; FIG. 5 is left side elevation view a of the snow basket; FIG. 6 is a bottom plan view of the snow basket; and, FIG. 7 is a top plan view of the snow basket.

The broken-lines in the above-described figures are for illustrative purposes only, and form no part of the claimed design.

The claimed a snow basket may be used in conjunction with the moving of snow and similar materials by attachment to a loader.

**1 Claim, 7 Drawing Sheets**



(56)

**References Cited**

OTHER PUBLICATIONS

Heavy Construction Equipment Attachments—Craig Manufacturing; web page: [www.craigattachments.com/wlsnb/](http://www.craigattachments.com/wlsnb/), 1 page; Nov. 1, 2016.

Monroe Truck Equipment, Snow Basket; web page: [www.monroetruck.com/Products.aspx?category=209&product=1](http://www.monroetruck.com/Products.aspx?category=209&product=1); 1 page; Nov. 1, 2016.

\* cited by examiner

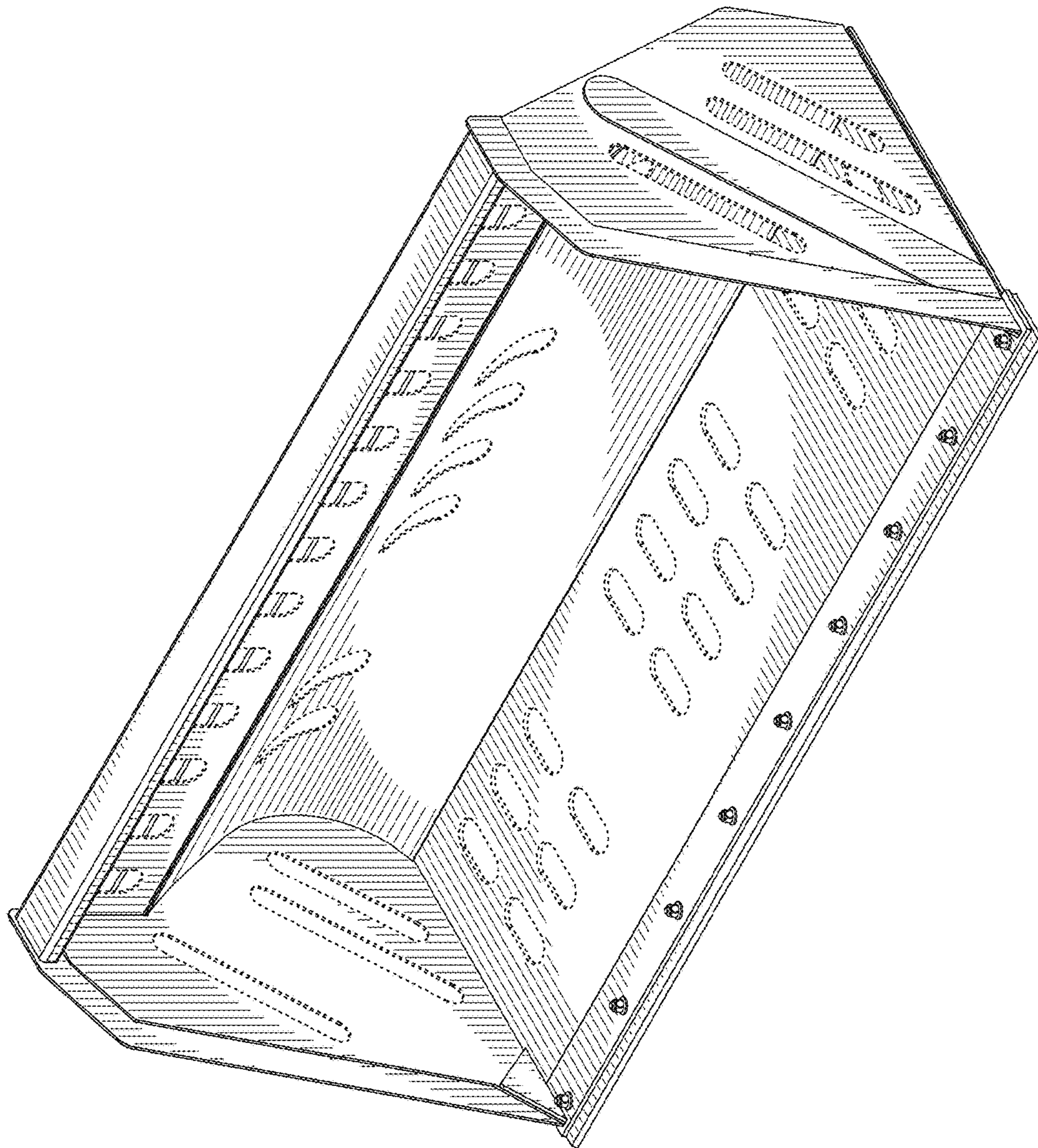


FIG. 1

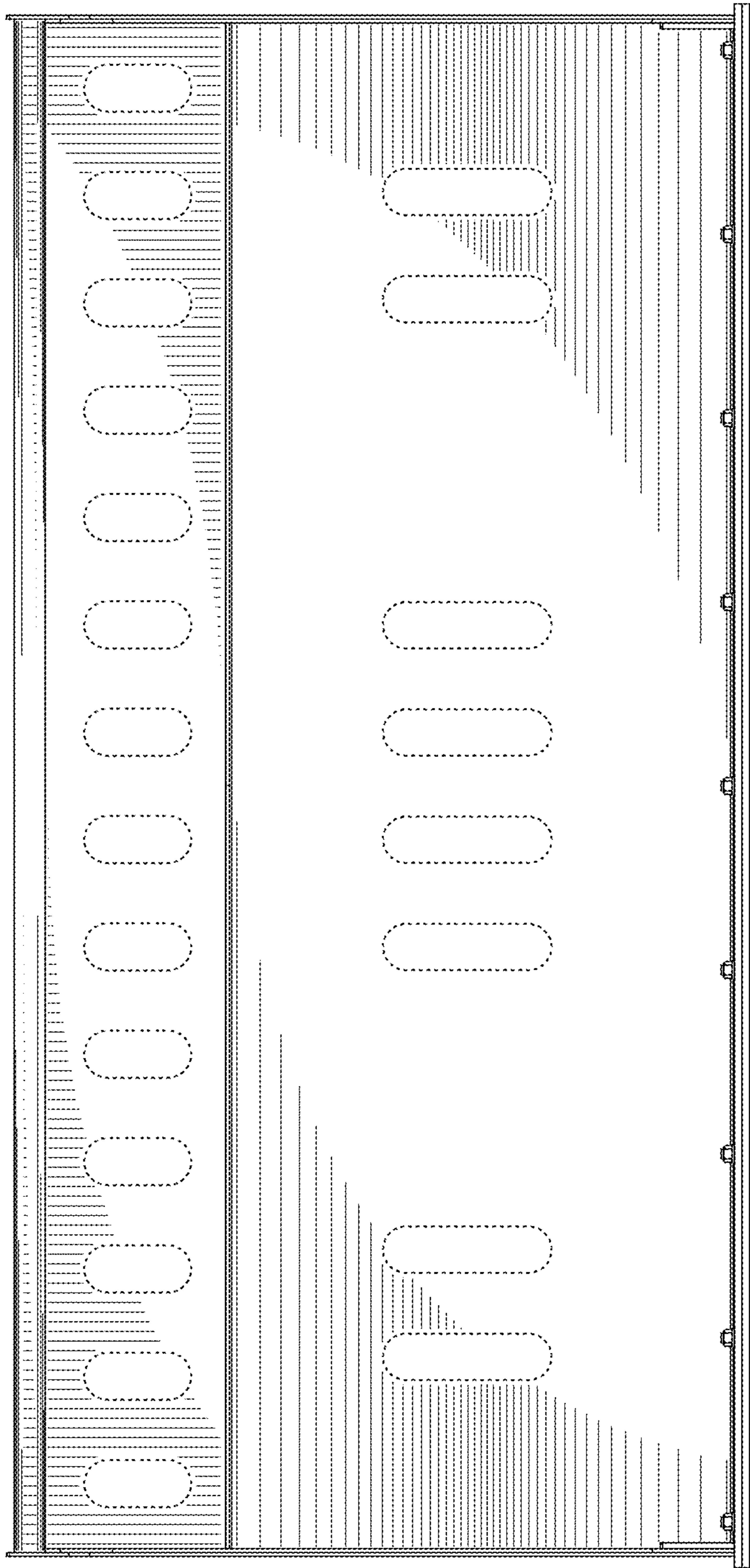


FIG. 2

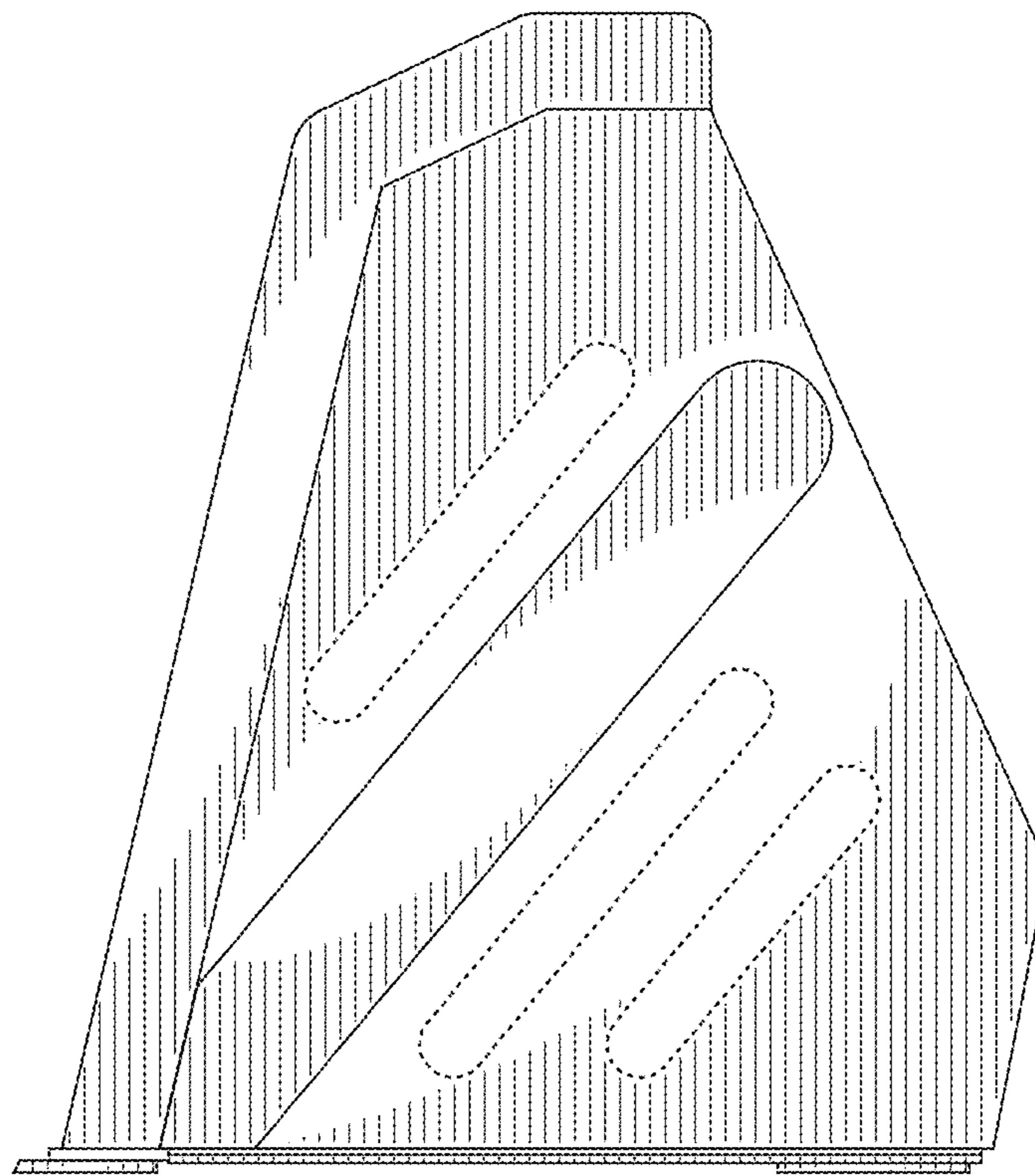


FIG. 3

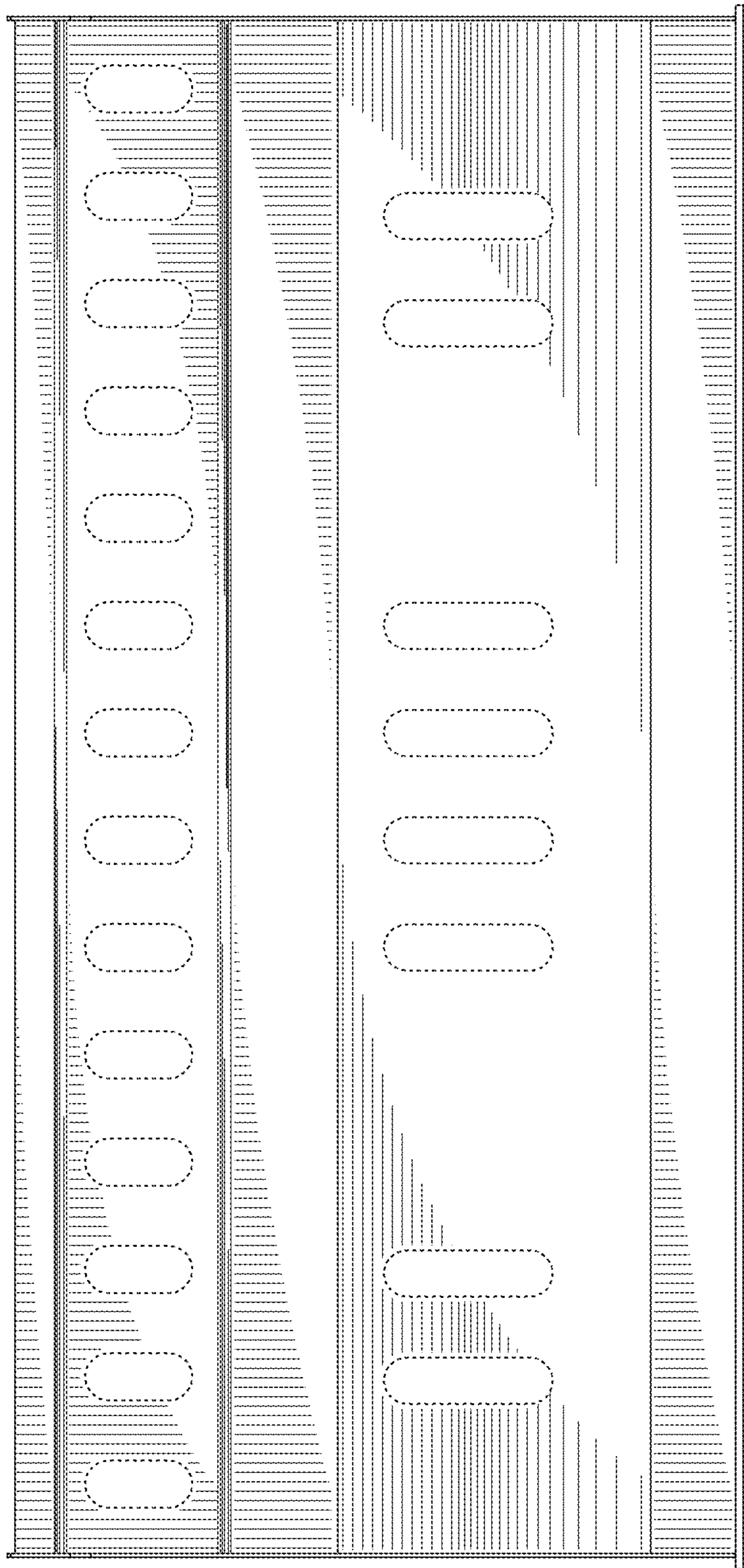


FIG. 4

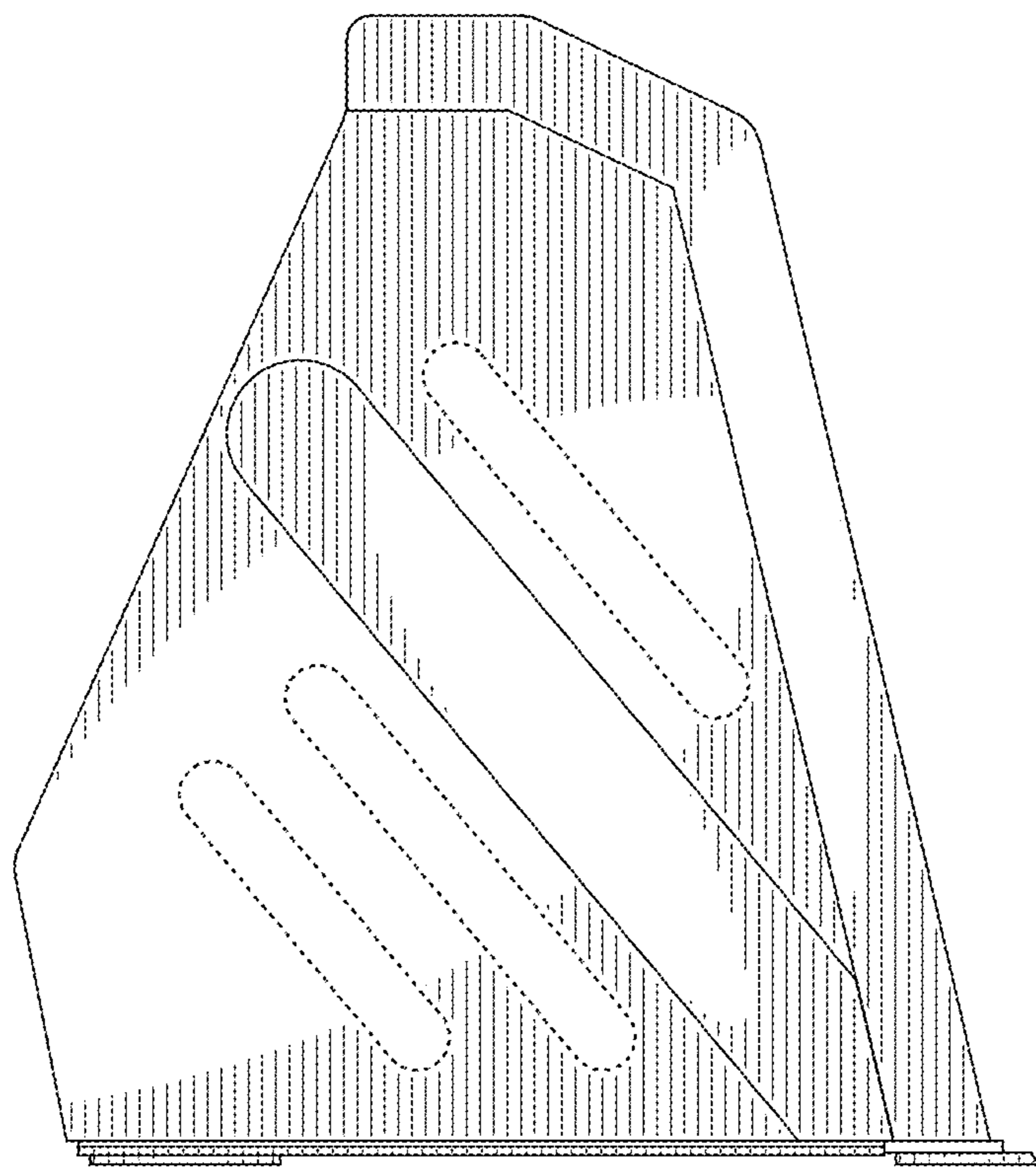


FIG. 5

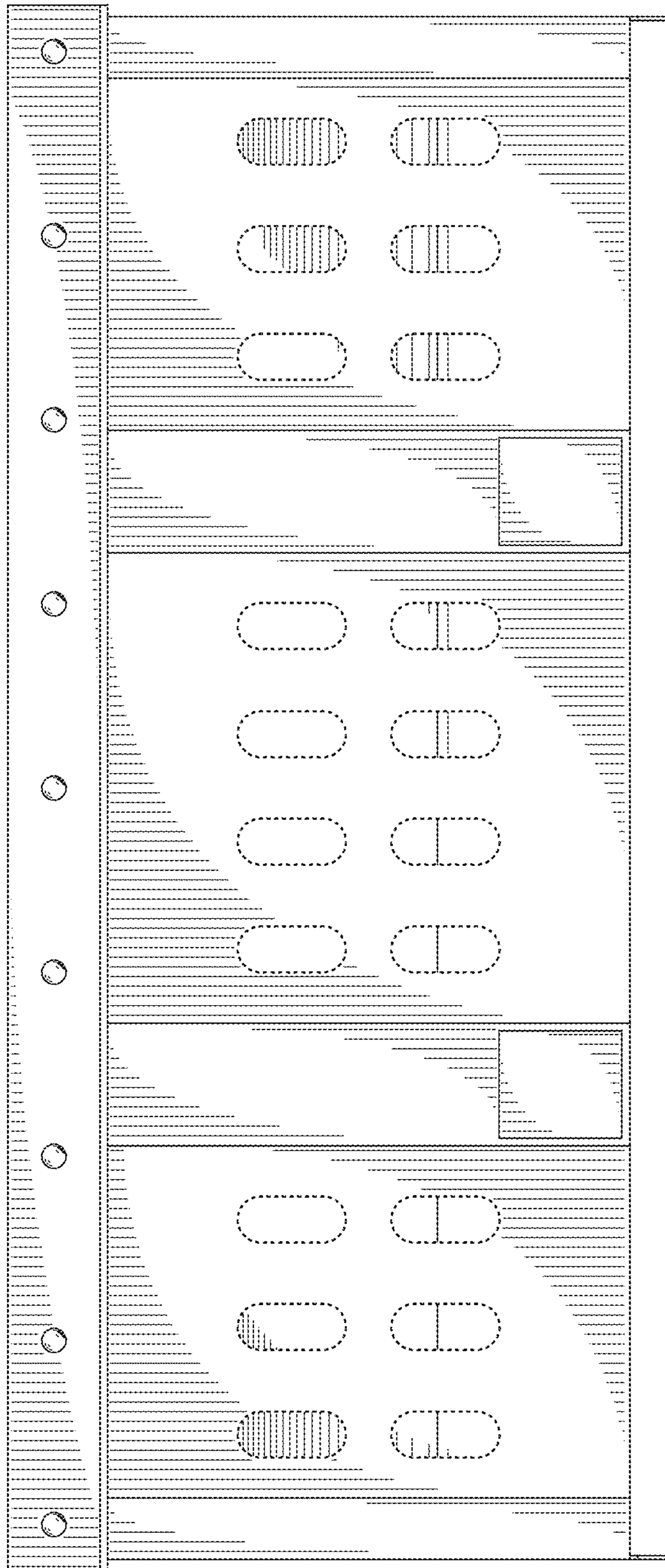


FIG. 6



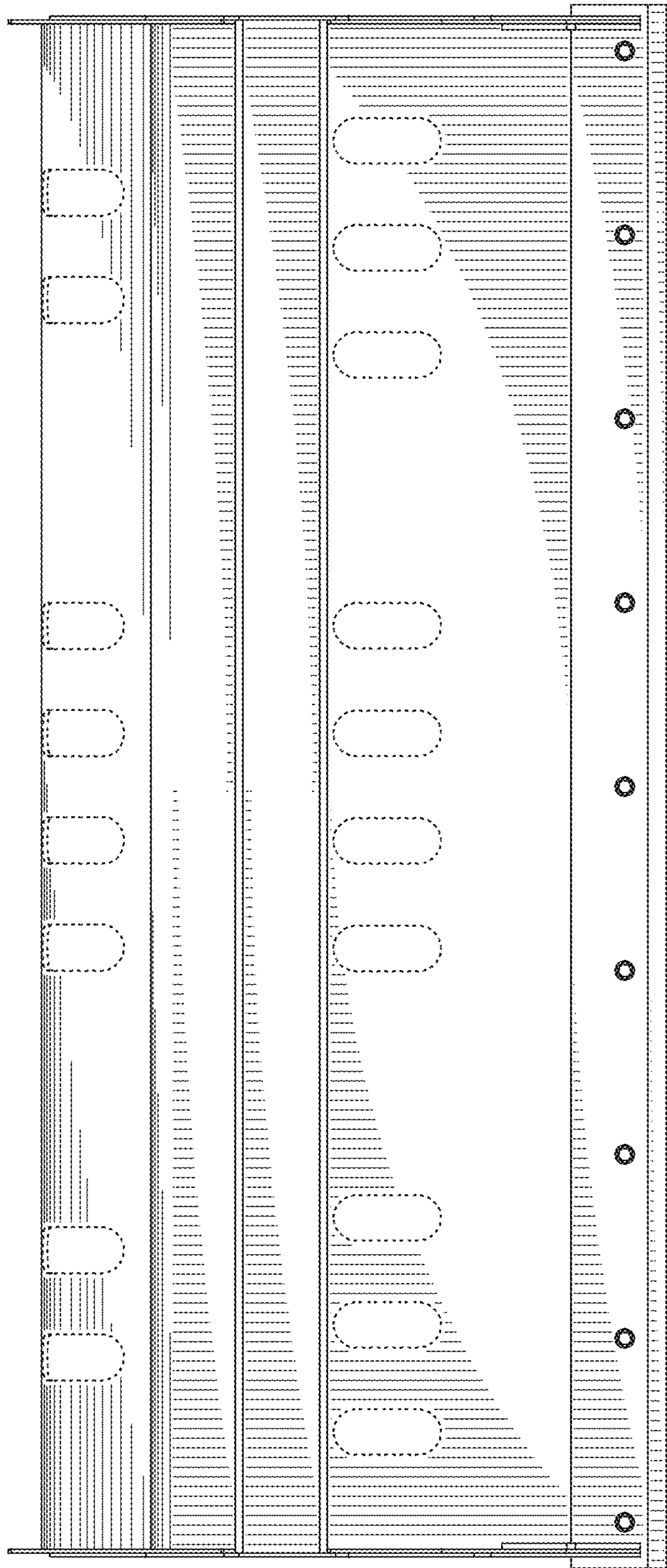


FIG. 7