



US00D792482S

(12) **United States Design Patent** (10) **Patent No.:** **US D792,482 S**
Jackson et al. (45) **Date of Patent:** **** *Jul. 18, 2017**

- (54) **AGRICULTURAL VEHICLE**
- (71) Applicant: **CNH Industrial America, LLC**, New Holland, PA (US)
- (72) Inventors: **Dwayne Jackson**, Plainfield, IL (US); **Aaron Richard**, Berwyn, IL (US); **Stefano Fiorati**, Occhiobello (IT); **Kent A. Solberg**, Woodstock, IL (US)
- (73) Assignee: **CNH Industrial America LLC**, New Holland, PA (US)
- (*) Notice: This patent is subject to a terminal disclaimer.
- (**) Term: **14 Years**
- (21) Appl. No.: **29/489,275**
- (22) Filed: **Apr. 29, 2014**

Related U.S. Application Data

- (63) Continuation of application No. 29/471,548, filed on Nov. 1, 2013, now abandoned.
- (51) **LOC (10) Cl.** **15-03**
- (52) **U.S. Cl.**
USPC **D15/30**
- (58) **Field of Classification Search**
USPC D15/10, 14-17, 22-26, 28, 30, 31;
D12/173; 56/13.4, 13.3, 15.8, 15.9, 16.1,
56/16.7, 175, 202, 320.1; 180/89.1,
180/89.12, 900, 69.2, 68.1, 69.1
See application file for complete search history.

References Cited

U.S. PATENT DOCUMENTS

- D247,624 S * 3/1978 Emundts et al. D15/23
- D256,017 S * 7/1980 Emundts et al. D15/23
- D274,524 S * 7/1984 Koval et al. D15/23
- D355,423 S * 2/1995 Woods et al. D15/23

- D438,546 S * 3/2001 Katoh et al. D15/23
- D498,245 S * 11/2004 Kuwae et al. D15/23
- D501,487 S * 2/2005 Katoh et al. D15/23
- D519,130 S * 4/2006 Higashikawa et al. D15/23
- D527,026 S * 8/2006 Kuwae et al. D15/23
- D547,333 S * 7/2007 Nishi et al. D15/23
- D553,159 S * 10/2007 Higashikawa et al. D15/23

(Continued)

OTHER PUBLICATIONS

Existing Case New Holland Tractor Design.

Primary Examiner — Mark Goodwin

(74) *Attorney, Agent, or Firm* — Sue C. Watson

(57) **CLAIM**

The ornamental design for an agricultural vehicle, as shown and described.

DESCRIPTION

FIG. 1 is a perspective view of the agricultural vehicle according to an aspect of the present invention.

FIG. 2 is another perspective view of the agricultural vehicle illustrated in FIG. 1.

FIG. 3 is a front view of the agricultural vehicle illustrated in FIG. 1.

FIG. 4 is a rear view of the agricultural vehicle illustrated in FIG. 1.

FIG. 5 is a top view of the agricultural vehicle illustrated in FIG. 1.

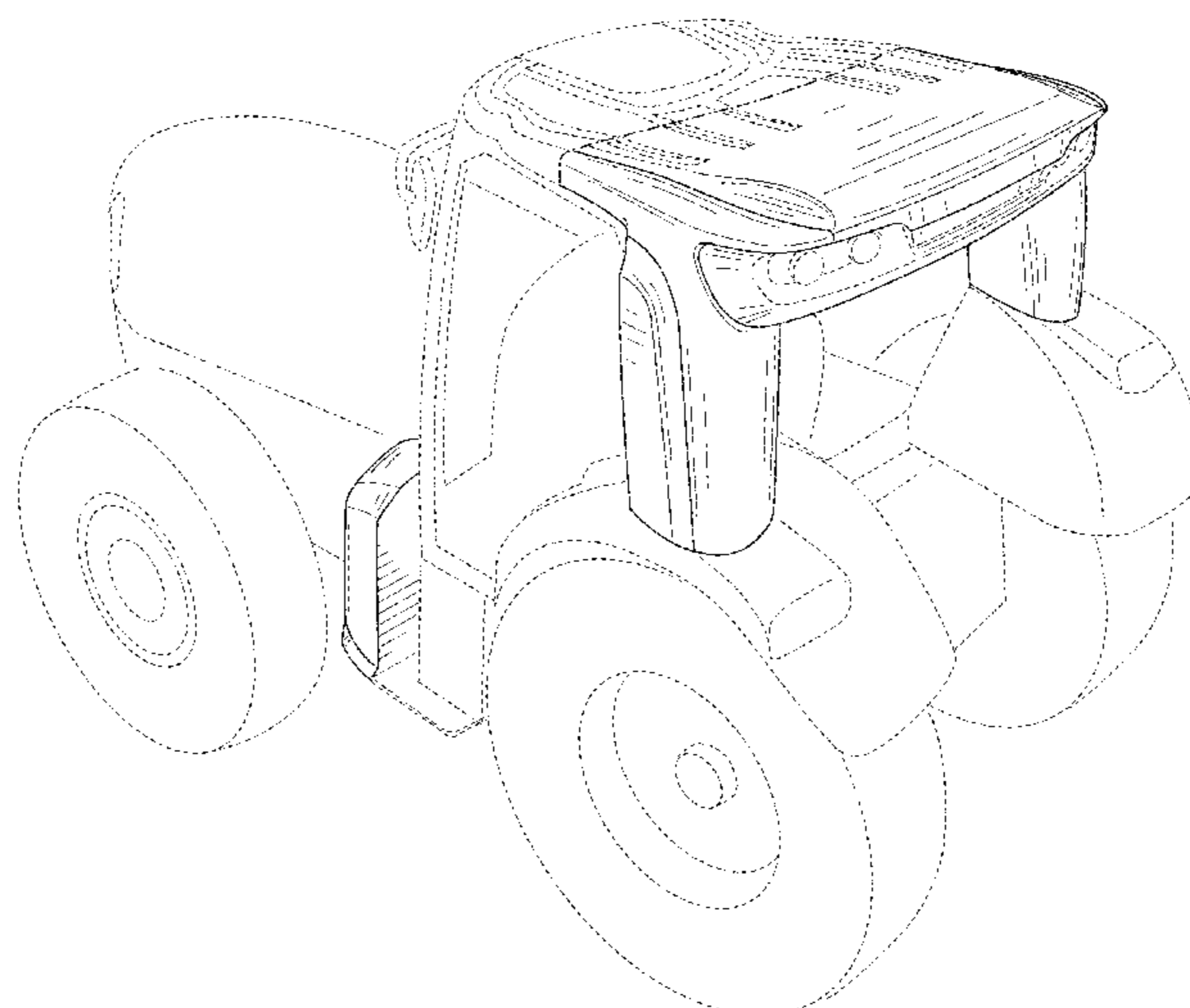
FIG. 6 is a bottom view of the agricultural vehicle illustrated in FIG. 1.

FIG. 7 is a first side view of the agricultural vehicle illustrated in FIG. 1; and,

FIG. 8 is a second side view of the agricultural vehicle illustrating in FIG. 1.

The surface shading and broken lines shown in FIGS. 1-8 represent portions of the agricultural vehicle that form no part of the claimed design.

1 Claim, 8 Drawing Sheets



(56)

References Cited

U.S. PATENT DOCUMENTS

D555,674 S	*	11/2007	Kuwaе	D15/23
D564,544 S	*	3/2008	Higashikawa et al.	D15/23
D581,953 S	*	12/2008	Matsumoto et al.	D15/23
D599,826 S	*	9/2009	Kuwaе	D15/26
D602,047 S	*	10/2009	Kushita et al.	D15/23
D605,668 S	*	12/2009	Matsumoto et al.	D15/23
D613,313 S	*	4/2010	Bhanuprakash	D15/23
D613,776 S	*	4/2010	Bianco et al.	D15/33
D613,777 S	*	4/2010	Bianco et al.	D15/33
D641,027 S	*	7/2011	Kawashiri et al.	D15/23

* cited by examiner

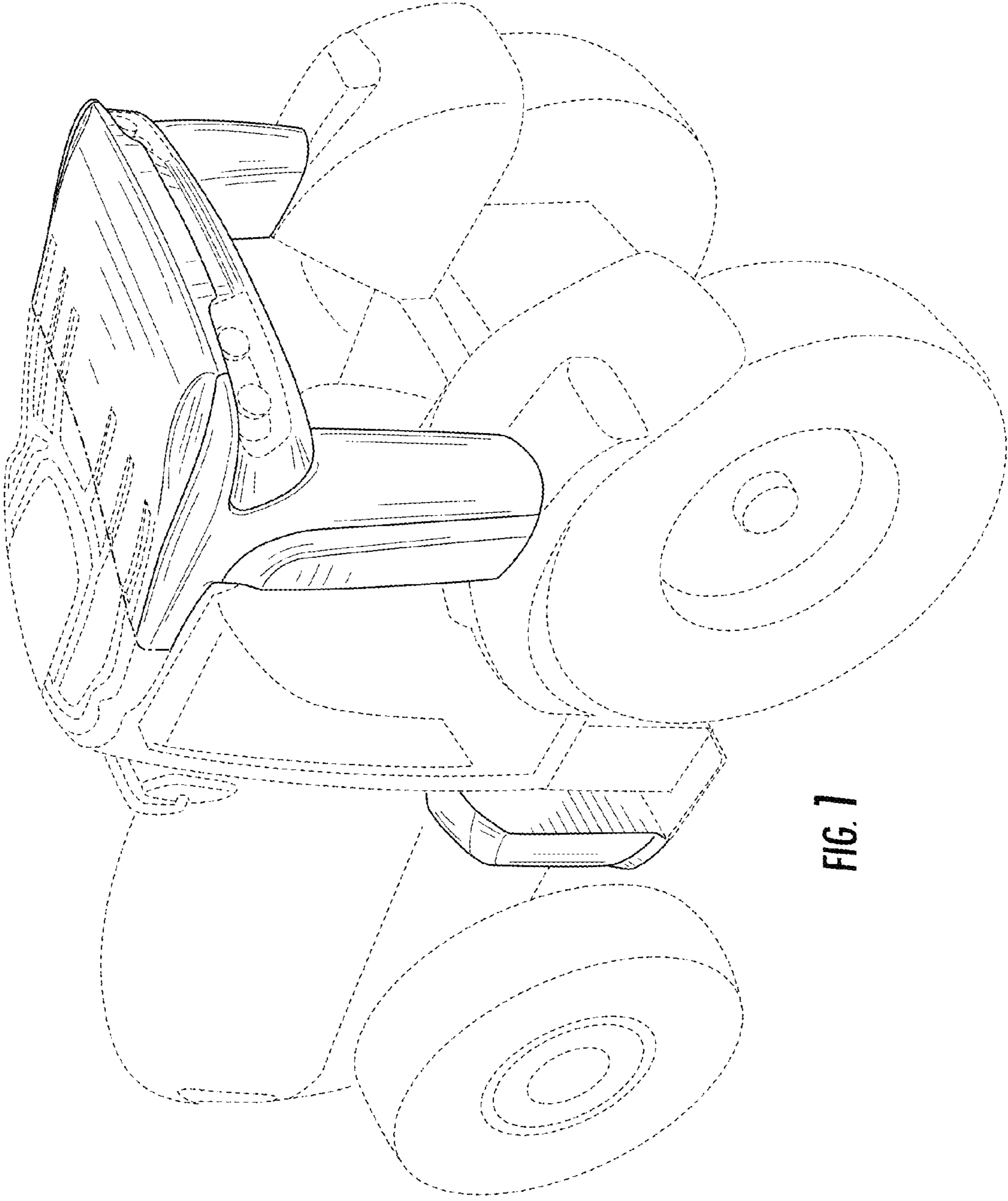


FIG. 1

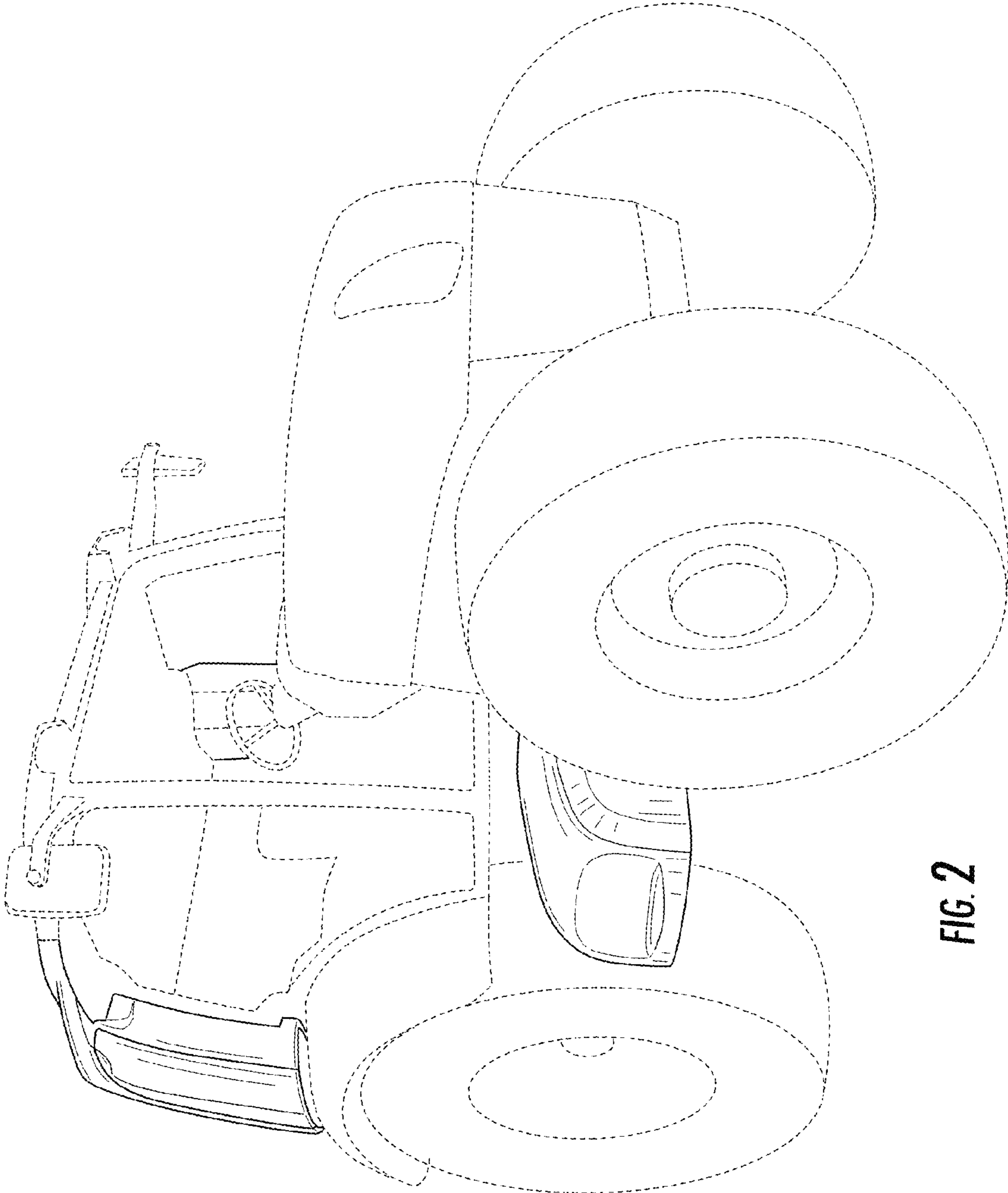


FIG. 2

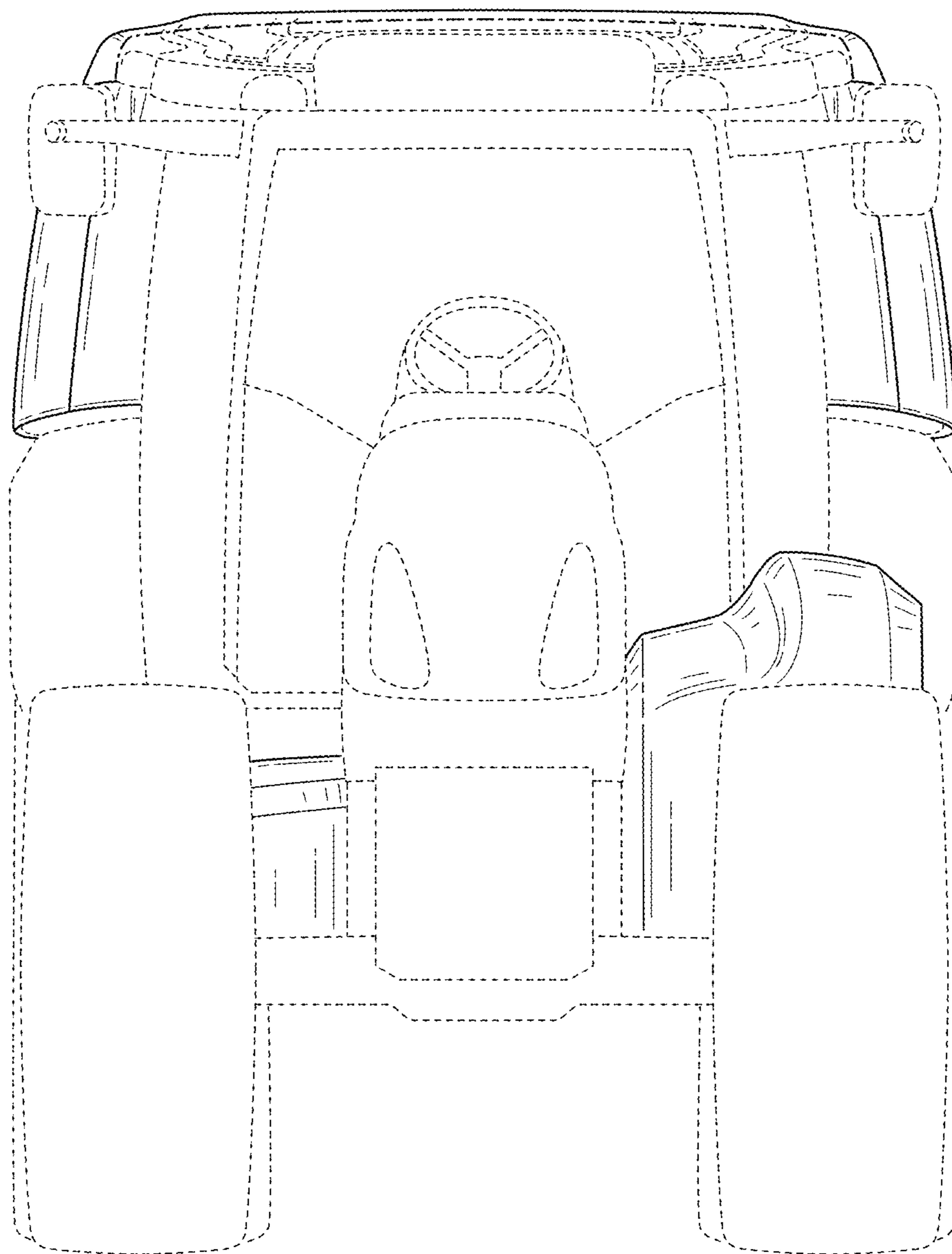


FIG. 3

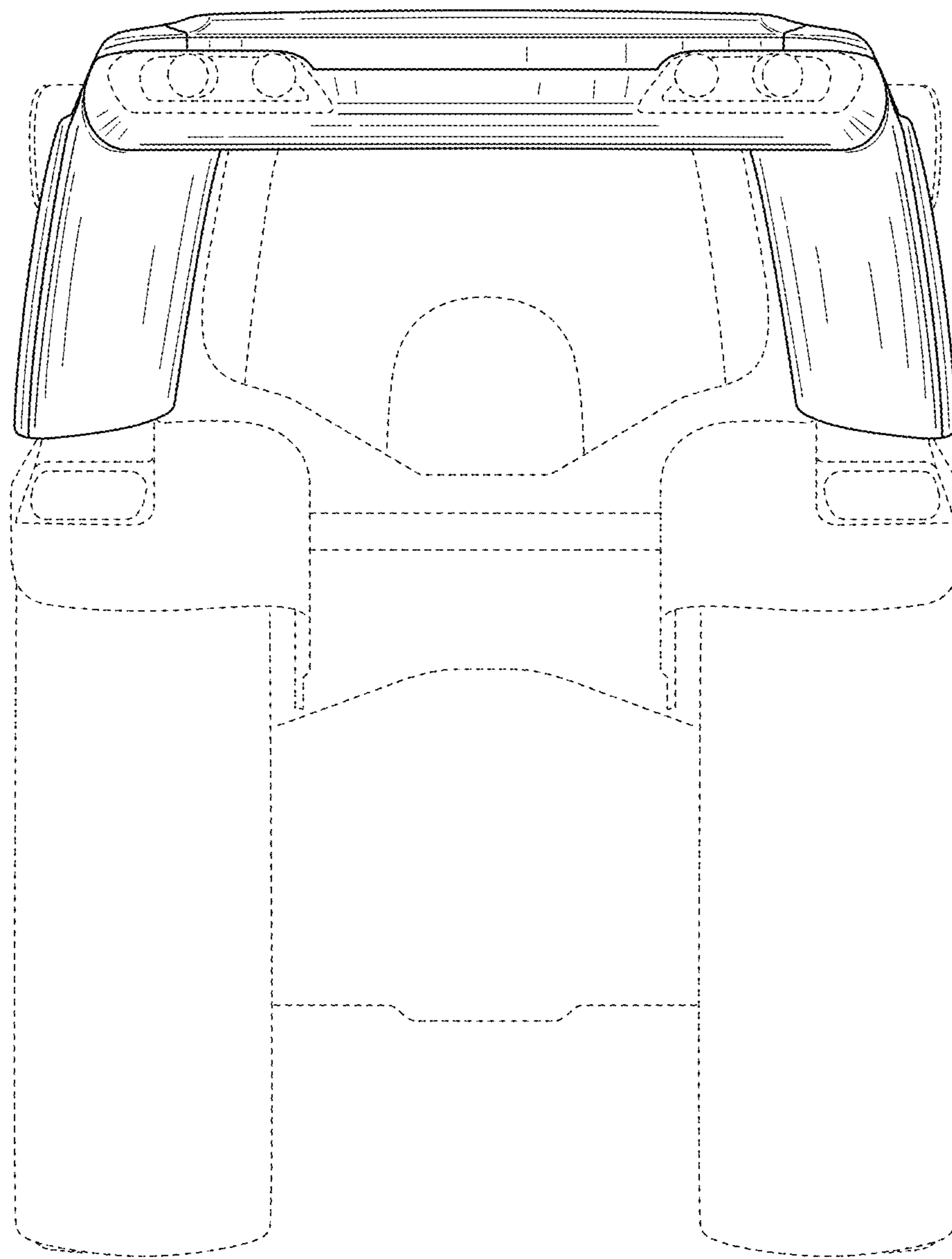


FIG. 4

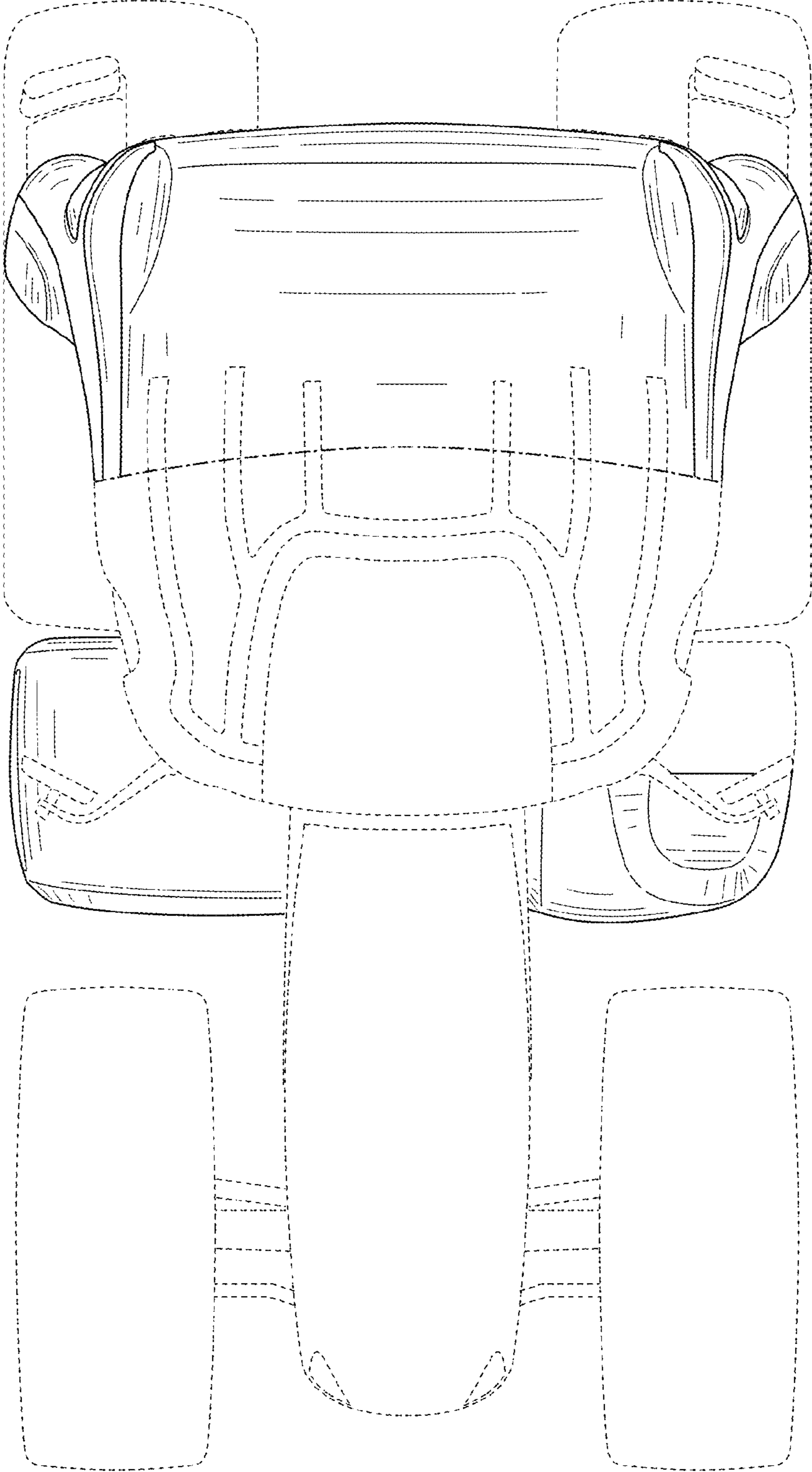


FIG. 5

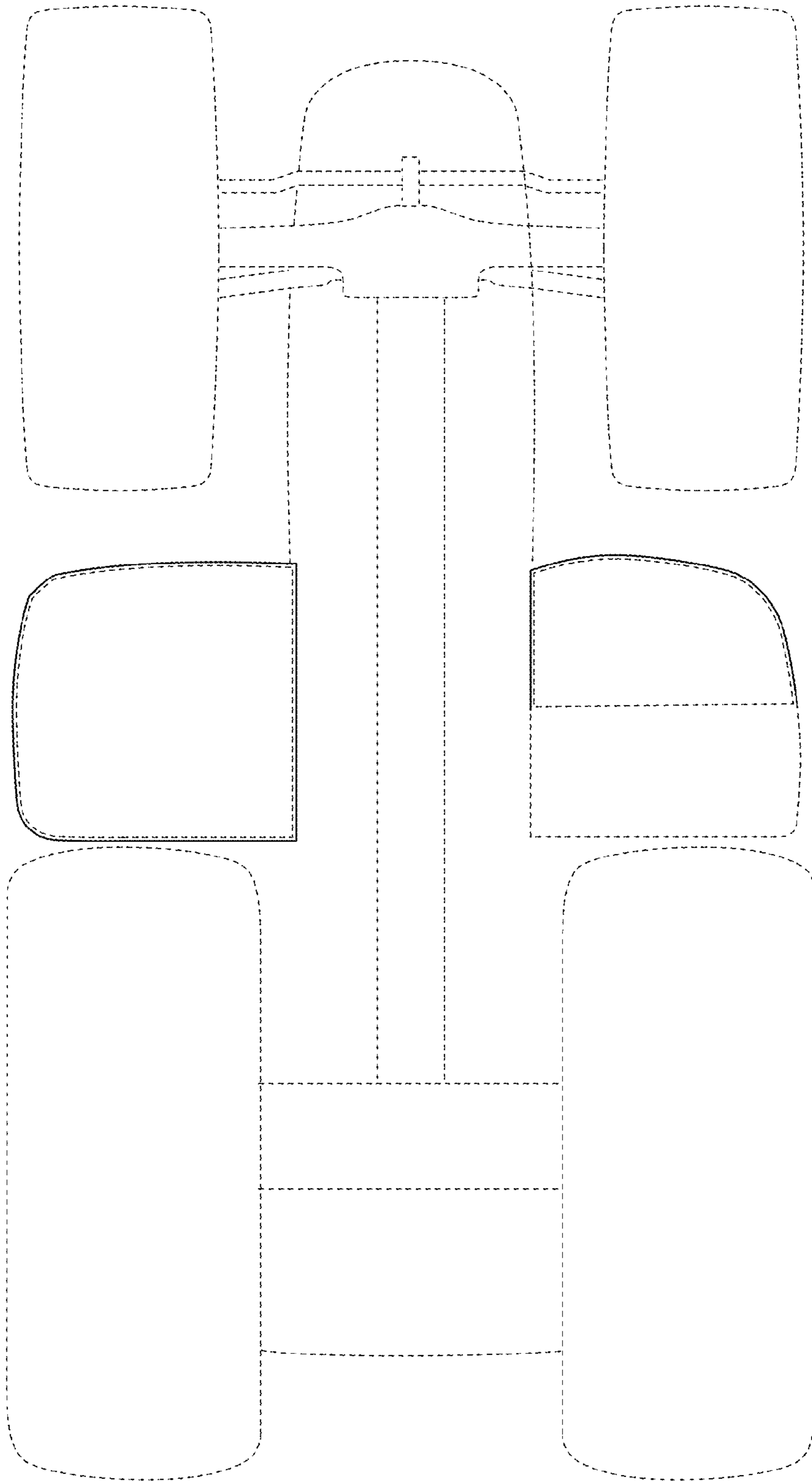


FIG. 6

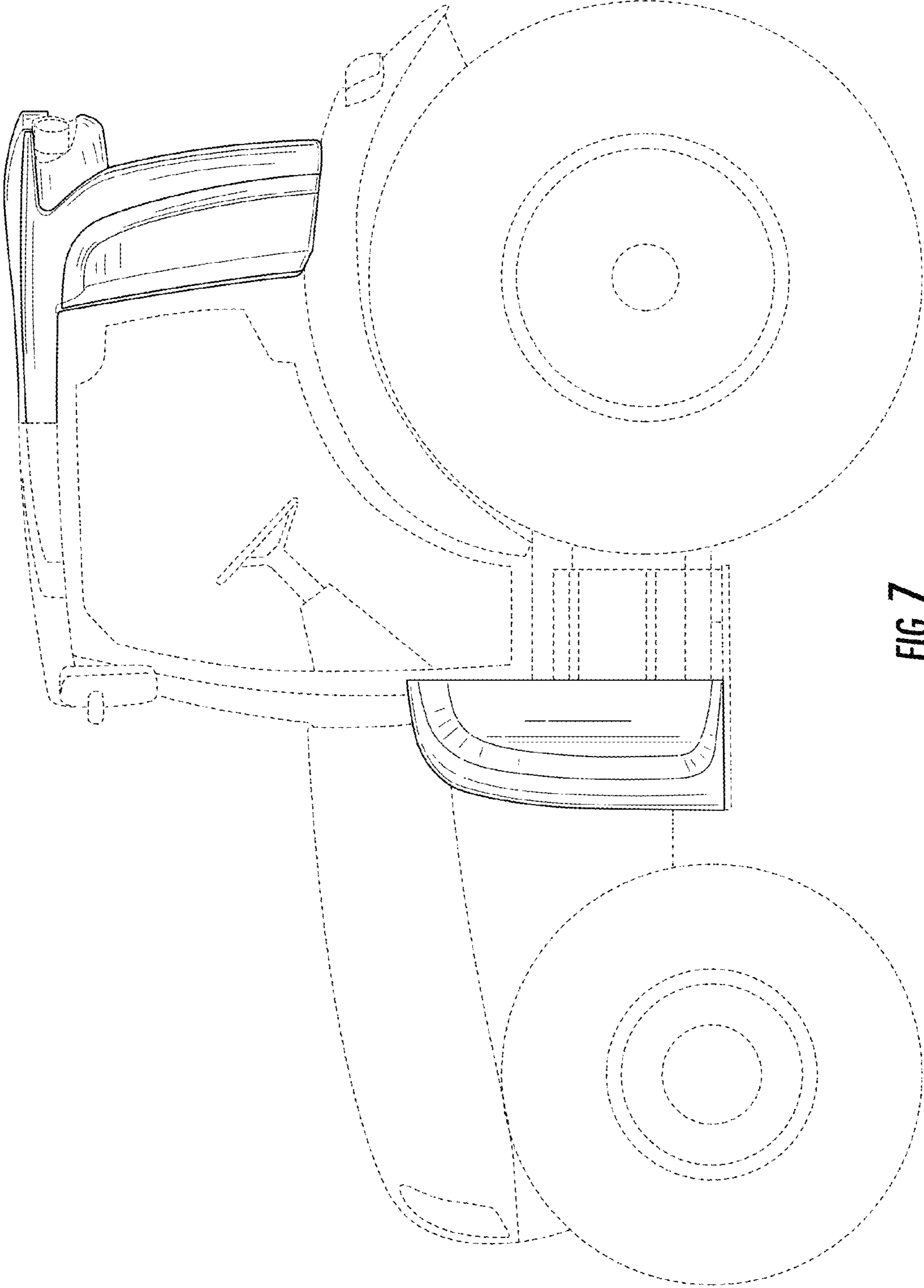


FIG. 7

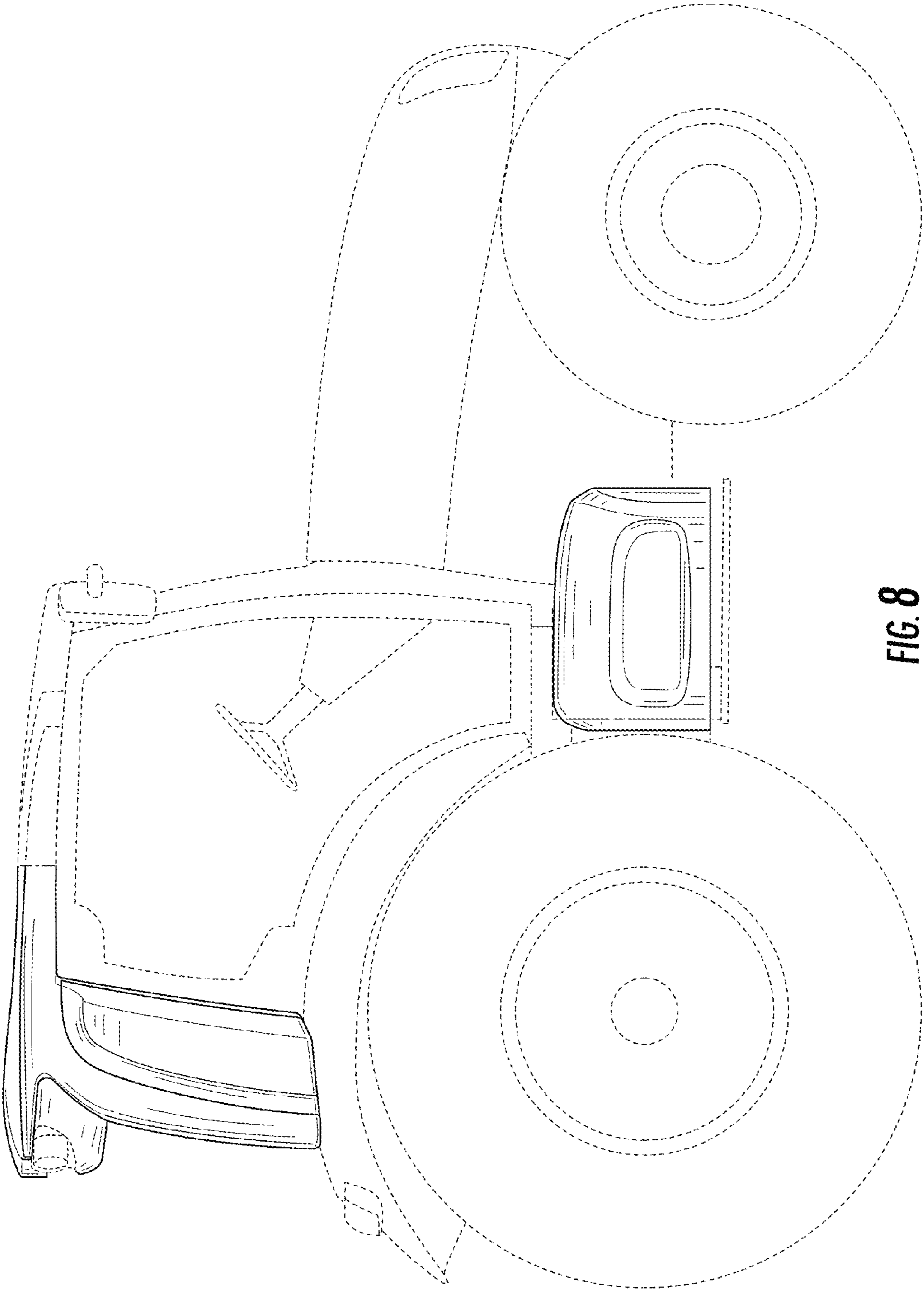


FIG. 8