

US00D792481S

(12) **United States Design Patent** (10) **Patent No.:** **US D792,481 S**
Hashimoto et al. (45) **Date of Patent:** **** Jul. 18, 2017**

- (54) **BACKHOE**
- (71) Applicant: **Kubota Corporation**, Osaka-shi (JP)
- (72) Inventors: **Ryo Hashimoto**, Sakai (JP); **Kenzo Kusama**, Sakai (JP); **Kenichi Saiki**, Sakai (JP)
- (73) Assignee: **Kubota Corporation**, Osaka (JP)
- (**) Term: **15 Years**
- (21) Appl. No.: **29/582,561**
- (22) Filed: **Oct. 28, 2016**
- (51) **LOC (10) Cl.** **15-03**
- (52) **U.S. Cl.**
USPC **D15/28**
- (58) **Field of Classification Search**
USPC D15/10, 22-26, 28, 30, 31, 33; 180/89.1, 180/89.12, 89.13, 900, 9.1, 9.2, 9.62; 37/379; 414/694, 699, 722-724, 660, 414/685, 698, 719, 743
CPC .. E02F 9/0866; E02F 9/18; E02F 3/32; F01N 13/001; F01N 2590/08
See application file for complete search history.

(56) **References Cited**

U.S. PATENT DOCUMENTS

- | | | | | |
|----------------|---------|-----------|-------|-----------------------|
| D433,689 S * | 11/2000 | Kraft | | D15/25 |
| D458,941 S * | 6/2002 | Miyanishi | | D15/25 |
| D460,462 S * | 7/2002 | Miyanishi | | D15/25 |
| D463,455 S * | 9/2002 | Yanagida | | D15/25 |
| 6,502,896 B1 * | 1/2003 | Nakata | | B60J 5/0487
16/234 |
| D487,575 S * | 3/2004 | Wetzel | | D15/33 |
| D490,444 S * | 5/2004 | Kuwae | | D15/33 |
| D506,211 S * | 6/2005 | Kuwae | | D15/33 |
| D518,071 S * | 3/2006 | Gwak | | D15/24 |
| D538,304 S * | 3/2007 | Uemura | | D15/25 |
| D555,675 S * | 11/2007 | Matsubara | | D15/25 |
| D562,354 S * | 2/2008 | Imashige | | D15/28 |

- | | | | | |
|----------------|--------|------------|-------|-----------------------|
| 7,503,419 B2 * | 3/2009 | Miyake | | E02F 3/384
180/326 |
| D590,847 S * | 4/2009 | Yonekura | | D15/25 |
| D607,905 S * | 1/2010 | Reisenauer | | D15/30 |
| D607,906 S * | 1/2010 | Reisenauer | | D15/33 |
| D614,205 S * | 4/2010 | Kuwae | | D15/25 |
| D680,137 S * | 4/2013 | Tsukamoto | | D15/28 |
| D681,070 S * | 4/2013 | Tsukamoto | | D15/28 |

(Continued)

FOREIGN PATENT DOCUMENTS

- | | | |
|----|-----------|--------|
| JP | 1419936 S | 8/2011 |
| JP | 1420319 S | 8/2011 |
| JP | 1508067 S | 9/2014 |

Primary Examiner — Mark Goodwin

(74) Attorney, Agent, or Firm — The Webb Law Firm

(57) **CLAIM**

The ornamental design for a backhoe, as shown and described.

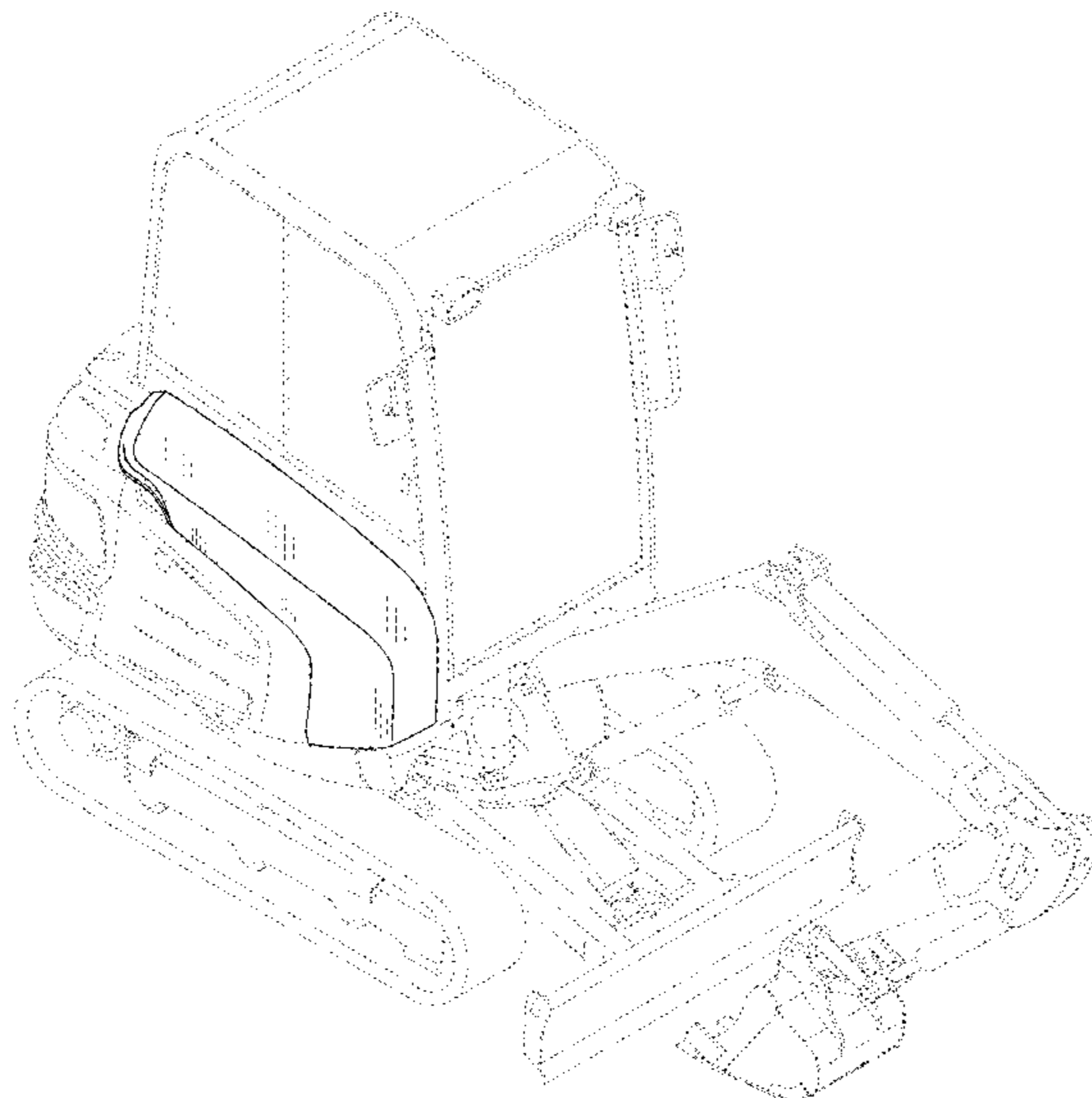
DESCRIPTION

FIG. 1 is front view of a backhoe showing our new design; FIG. 2 is a rear view thereof; FIG. 3 is a left side view thereof; FIG. 4 is a right side view thereof; FIG. 5 is a top view thereof; FIG. 6 is an upper left front perspective view thereof; FIG. 7 is an upper left rear perspective view thereof; FIG. 8 is an enlarged upper left front perspective view of a portion thereof; and, FIG. 9 is an enlarged upper left rear perspective view of a portion thereof.

A bottom view is omitted because it is plain and unornamental and forms no part of the subject matter of the claimed design.

The portions of the backhoe shown in broken lines form no part of the claimed design.

1 Claim, 9 Drawing Sheets



(56)

References Cited

U.S. PATENT DOCUMENTS

D693,857 S	*	11/2013	Hiraoka	D15/28
D717,346 S	*	11/2014	Ishii	D15/28
D735,771 S	*	8/2015	Imashige	D15/28
D737,865 S	*	9/2015	Imashige	D15/28
D742,934 S		11/2015	Kushita et al.	
D750,673 S	*	3/2016	Imashige	D15/28
D772,954 S	*	11/2016	Harms	D15/28
D774,106 S	*	12/2016	Fiser	D15/28
D774,107 S	*	12/2016	Fiser	D15/28
D774,112 S	*	12/2016	Fiser	D15/30

* cited by examiner

Fig. 1

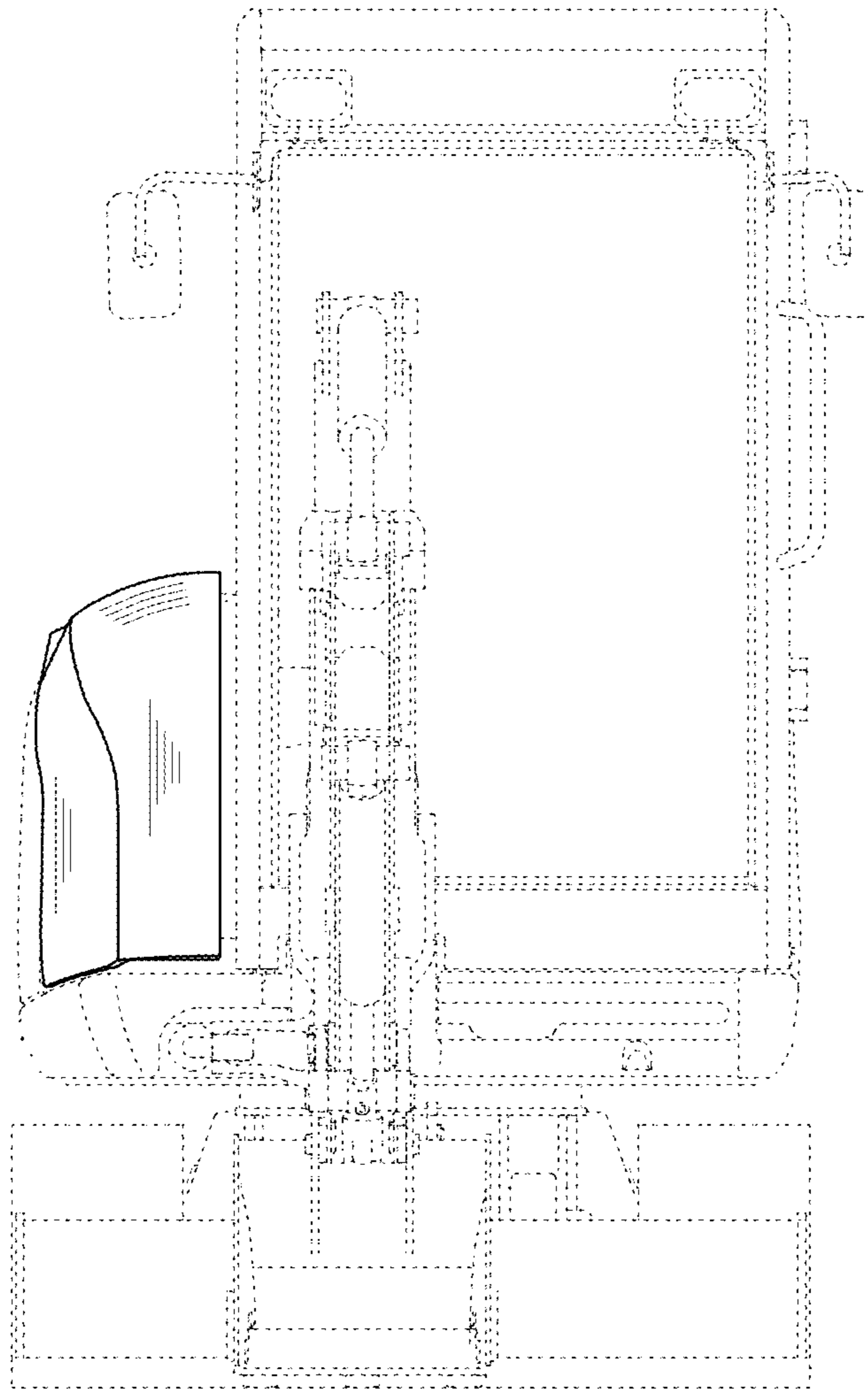


Fig.2

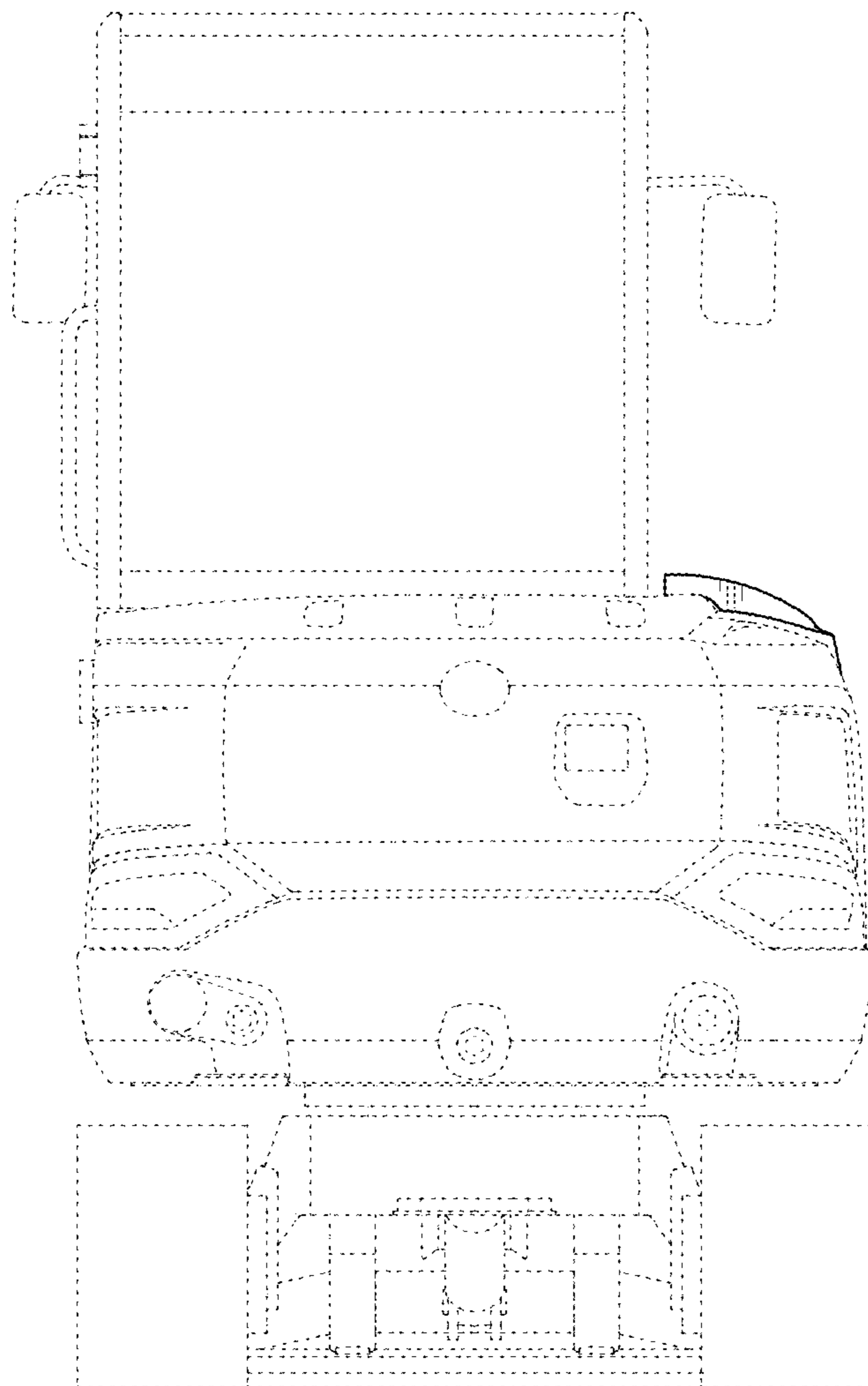


Fig. 3

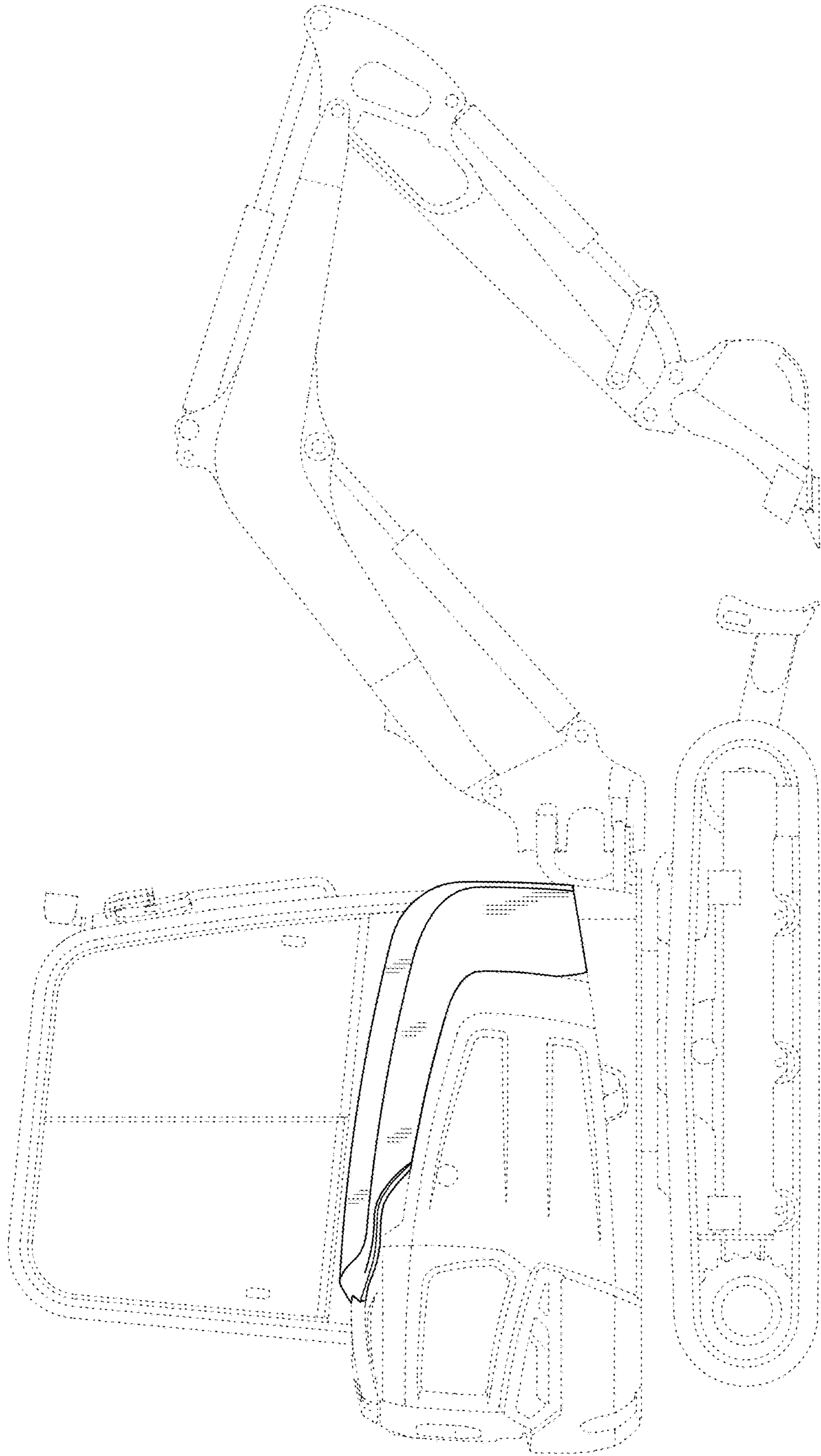


Fig.4

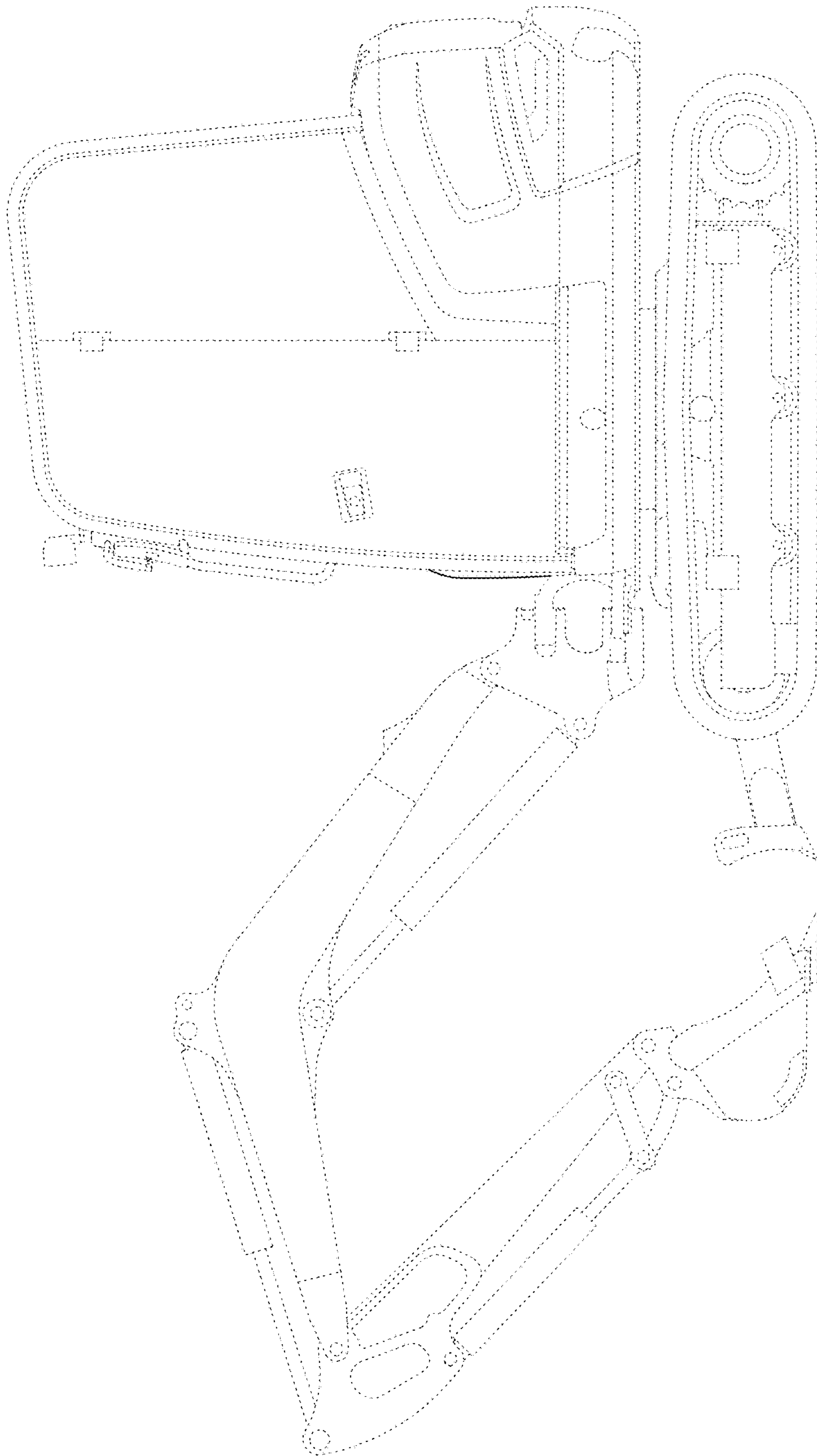


Fig. 5

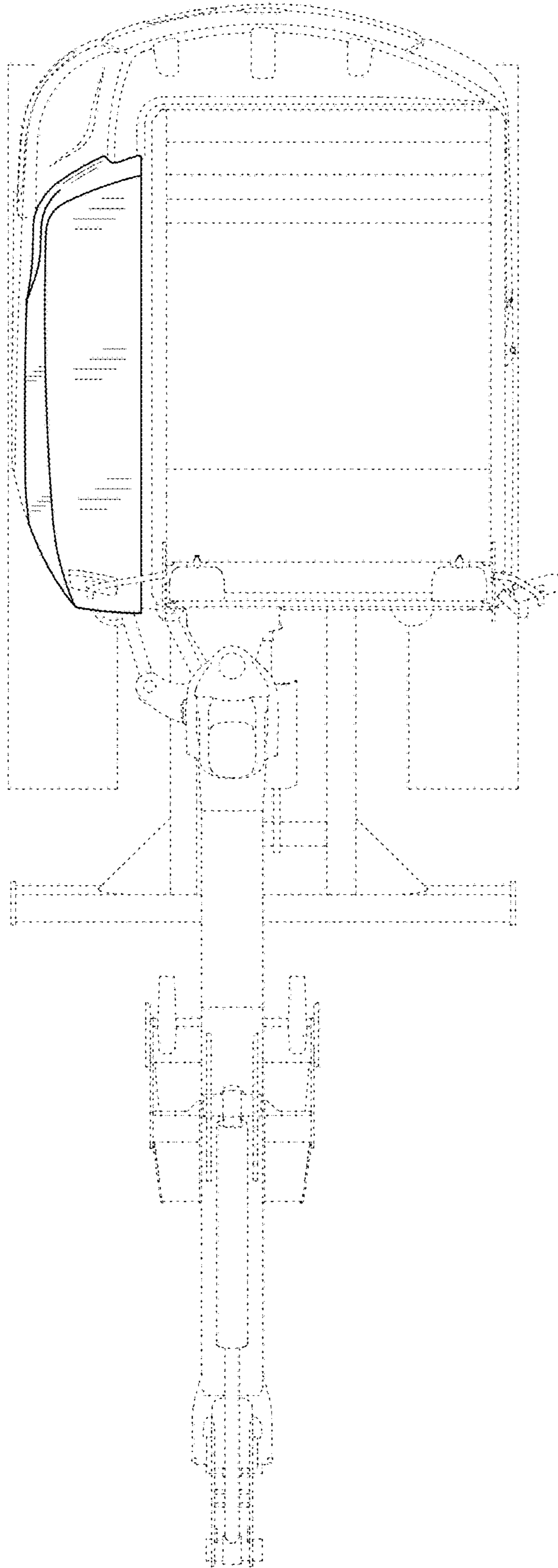


Fig.6

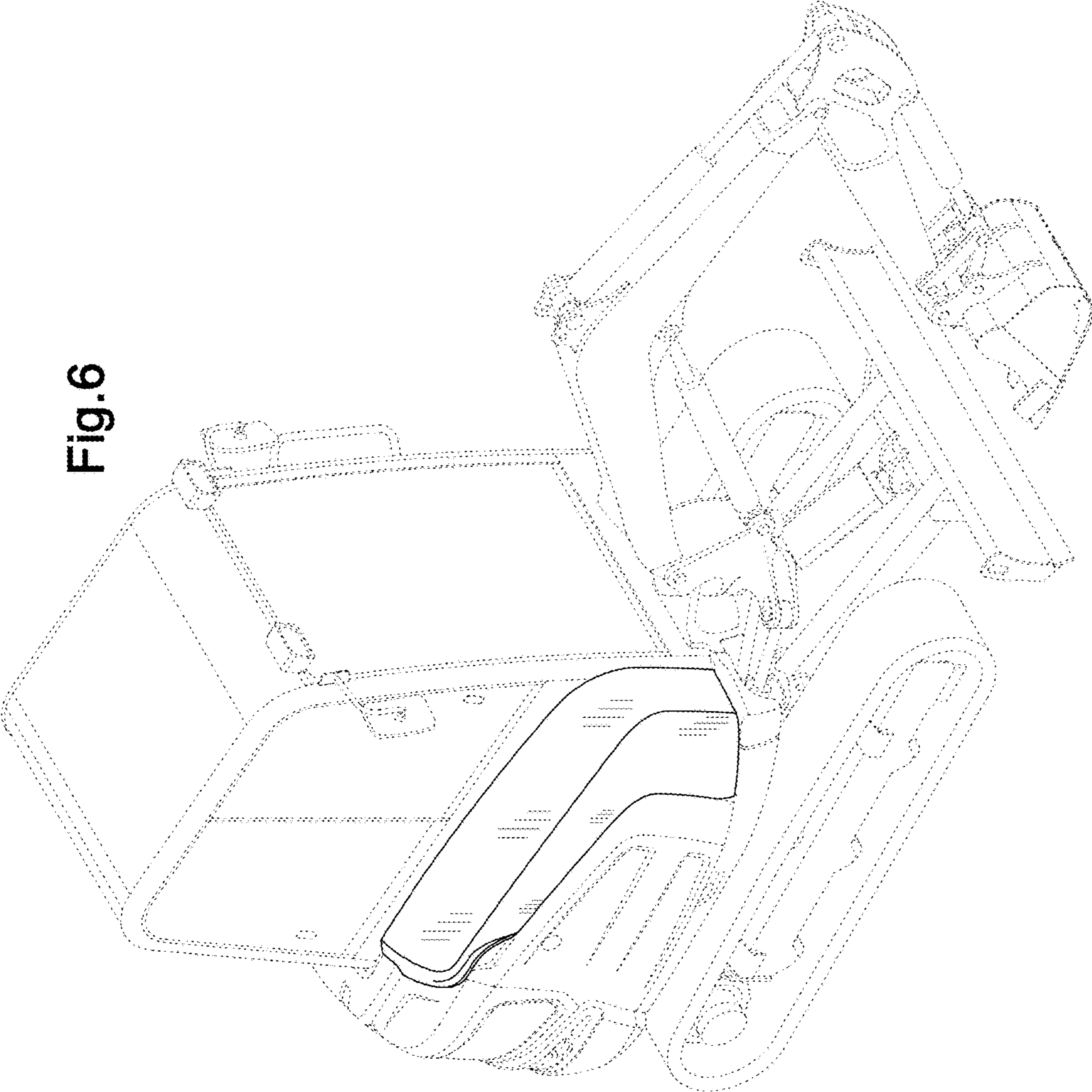


Fig.7

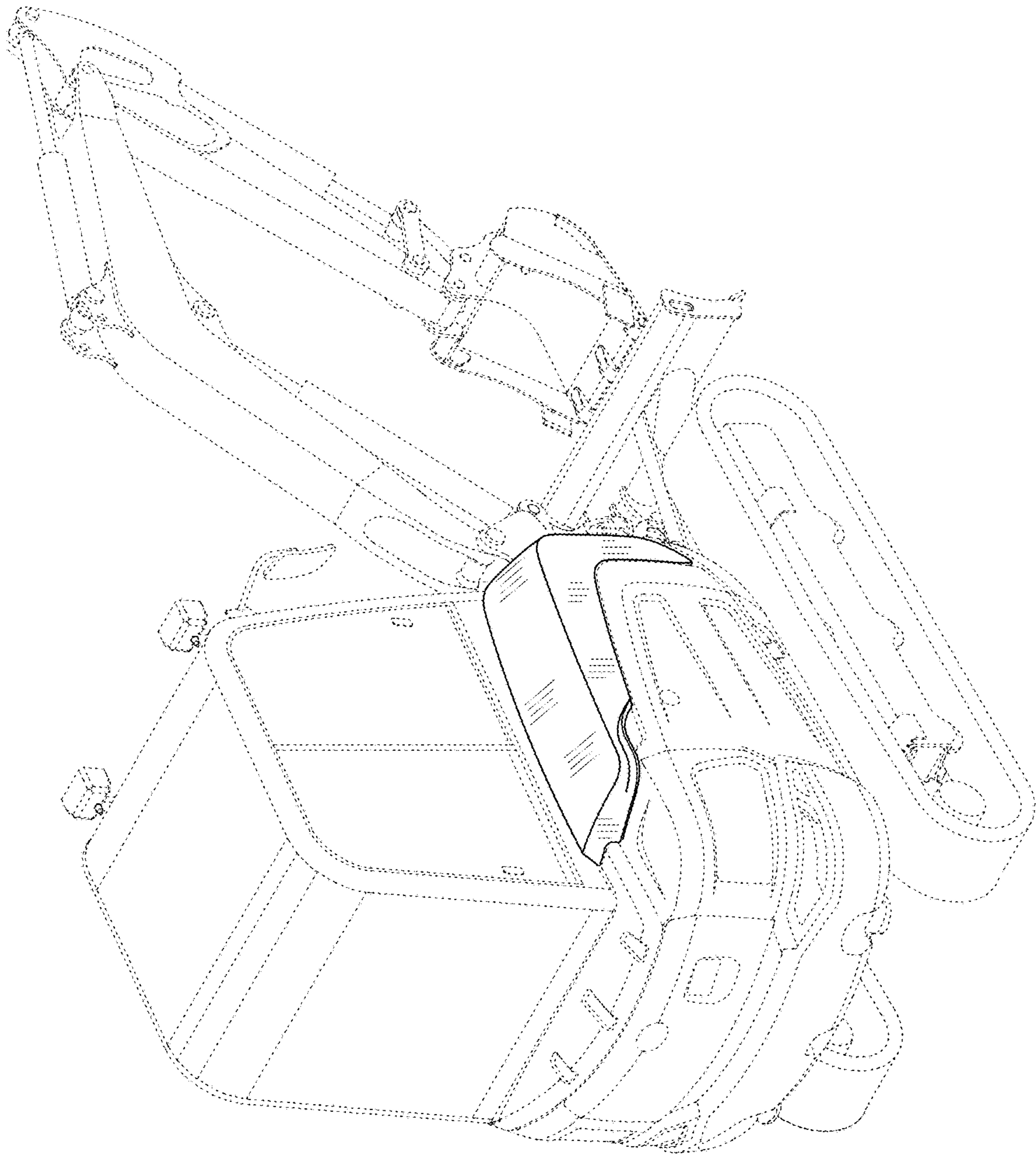


Fig.8

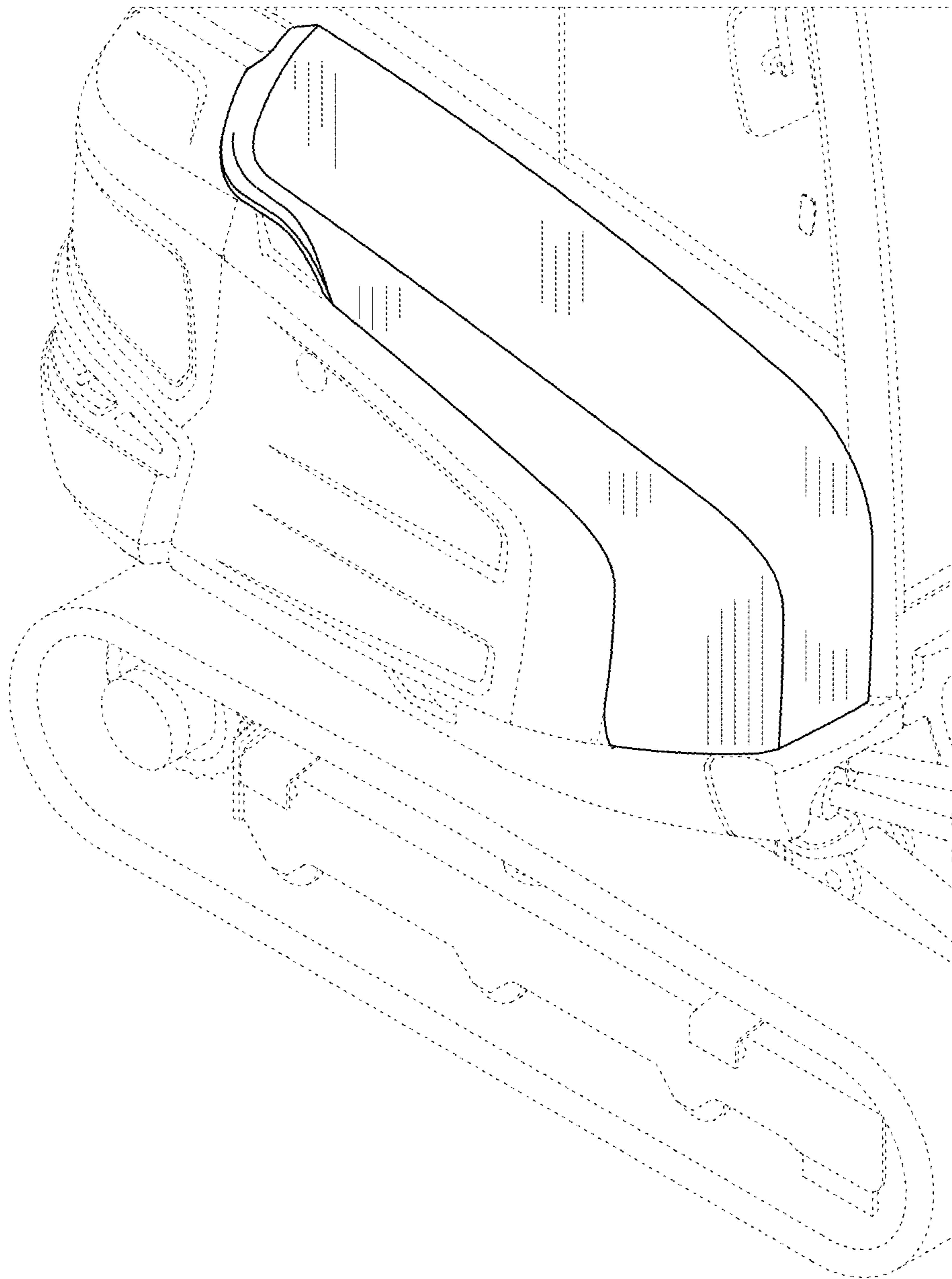


Fig.9

