



US00D792480S

(12) **United States Design Patent** (10) **Patent No.:** **US D792,480 S**
Hashimoto et al. (45) **Date of Patent:** **** Jul. 18, 2017**

(54) **BACKHOE**
 (71) Applicant: **Kubota Corporation**, Osaka-shi (JP)
 (72) Inventors: **Ryo Hashimoto**, Sakai (JP); **Junta Kuwae**, Sakai (JP); **Kenzo Kusama**, Sakai (JP); **Kenichi Saiki**, Sakai (JP)
 (73) Assignee: **Kubota Corporation**, Osaka (JP)

D680,136 S * 4/2013 Tsukamoto D15/28
 D725,683 S * 3/2015 Payne D15/31
 D727,370 S * 4/2015 Payne D15/31
 D728,638 S * 5/2015 Payne D15/31
 D728,639 S * 5/2015 Payne D15/31
 D742,934 S * 11/2015 Kushita D15/25
 D749,150 S * 2/2016 Payne D15/31
 D749,646 S * 2/2016 Turner D15/28
 D767,644 S * 9/2016 Underhill D15/28

(**) Term: **15 Years**
 (21) Appl. No.: **29/582,545**

FOREIGN PATENT DOCUMENTS
 JP 1419936 S 8/2011
 JP 1420319 S 8/2011
 JP 1508067 S 9/2014

(22) Filed: **Oct. 28, 2016**
 (51) **LOC (10) Cl.** **15-03**
 (52) **U.S. Cl.**
 USPC **D15/28**
 (58) **Field of Classification Search**
 USPC D15/10, 22-26, 28, 30, 31, 33; 180/89.1,
 180/89.12, 89.13, 900, 9.1, 9.2, 9.62;
 37/379; 414/694, 699, 722-724, 660,
 414/685, 698, 719, 743
 CPC .. E02F 9/0866; E02F 9/18; E02F 3/32; F01N
 13/001; F01N 2590/08
 See application file for complete search history.

* cited by examiner
Primary Examiner — Mark Goodwin
 (74) *Attorney, Agent, or Firm* — The Webb Law Firm

(56) **References Cited**
 U.S. PATENT DOCUMENTS
 D490,444 S * 5/2004 Kuwae D15/33
 D506,211 S * 6/2005 Kuwae D15/33
 D528,568 S * 9/2006 Kuwae D15/28
 D529,933 S * 10/2006 Kuwae D15/28
 D555,675 S * 11/2007 Matsubara D15/25
 D559,279 S * 1/2008 Sakitani D15/28
 D582,947 S * 12/2008 Ueta D15/28
 D587,285 S * 2/2009 Murakami D15/28
 D614,205 S * 4/2010 Kuwae D15/25
 D678,358 S * 3/2013 Hiraoka D15/28
 D678,359 S * 3/2013 Hagura D15/28

(57) **CLAIM**
 The ornamental design for a backhoe, as shown and described.

DESCRIPTION
 FIG. 1 is front view of a backhoe showing our new design;
 FIG. 2 is a rear view thereof;
 FIG. 3 is a left side view thereof;
 FIG. 4 is a right side view thereof;
 FIG. 5 is a top view thereof;
 FIG. 6 is an upper left rear perspective view thereof;
 FIG. 7 is an enlarged rear view of a portion thereof; and,
 FIG. 8 is an enlarged upper left rear perspective of a portion thereof.
 A bottom view is omitted because it is plain and unornamental and forms no part of the subject matter of the claimed design.
 The portions of the backhoe shown in broken lines form no part of the claimed design.

1 Claim, 8 Drawing Sheets

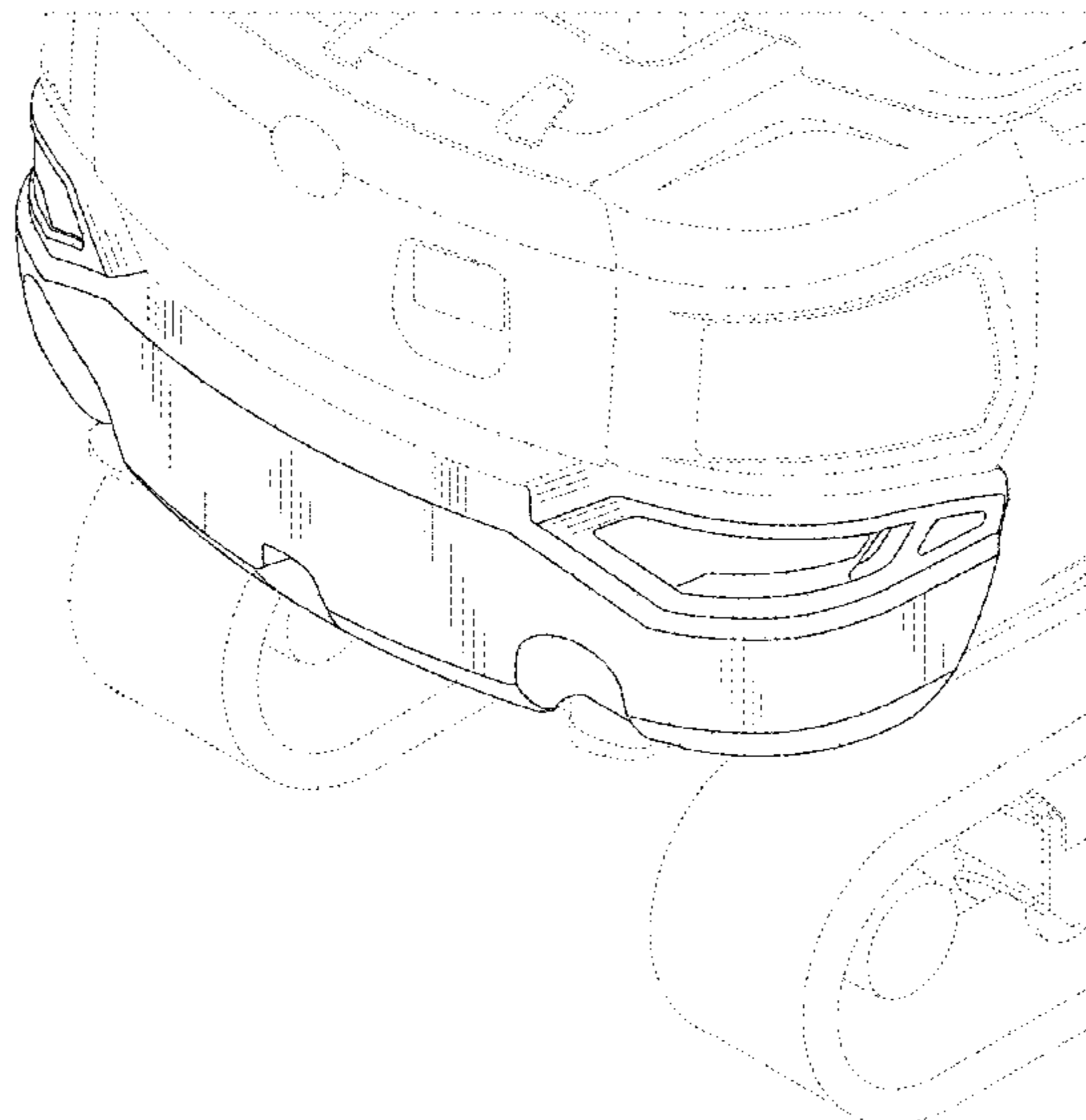


Fig. 1

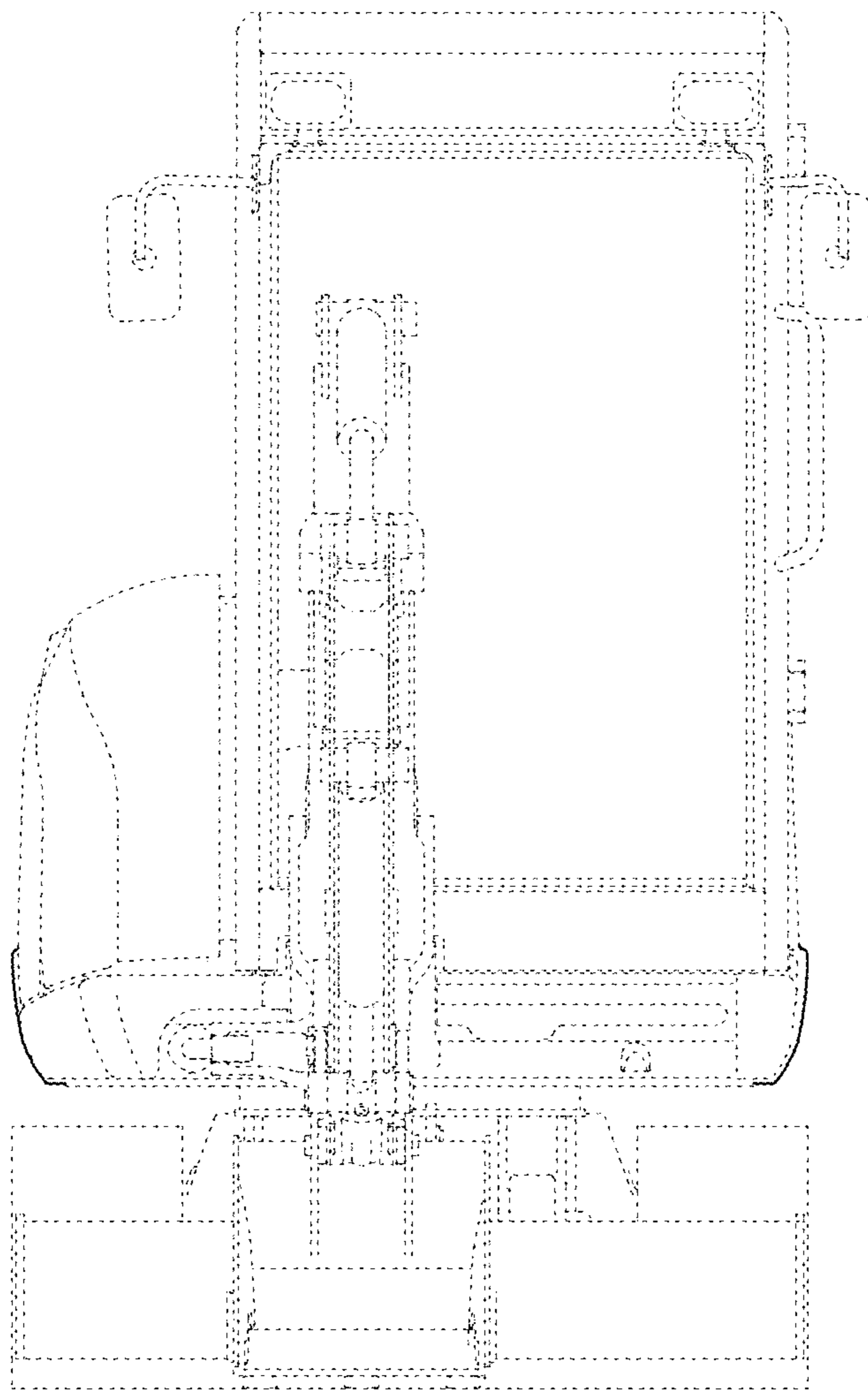


Fig.2

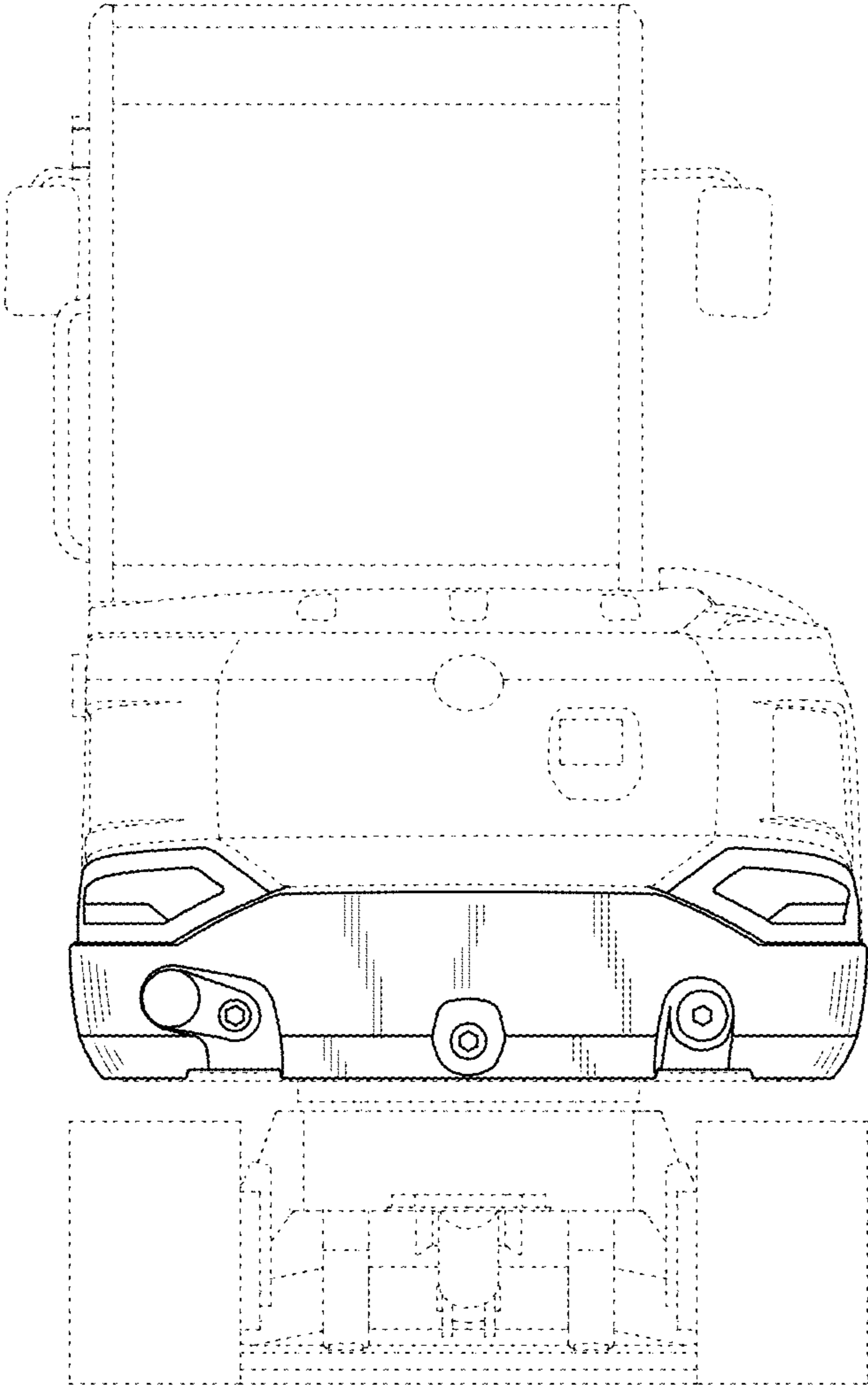


Fig.3

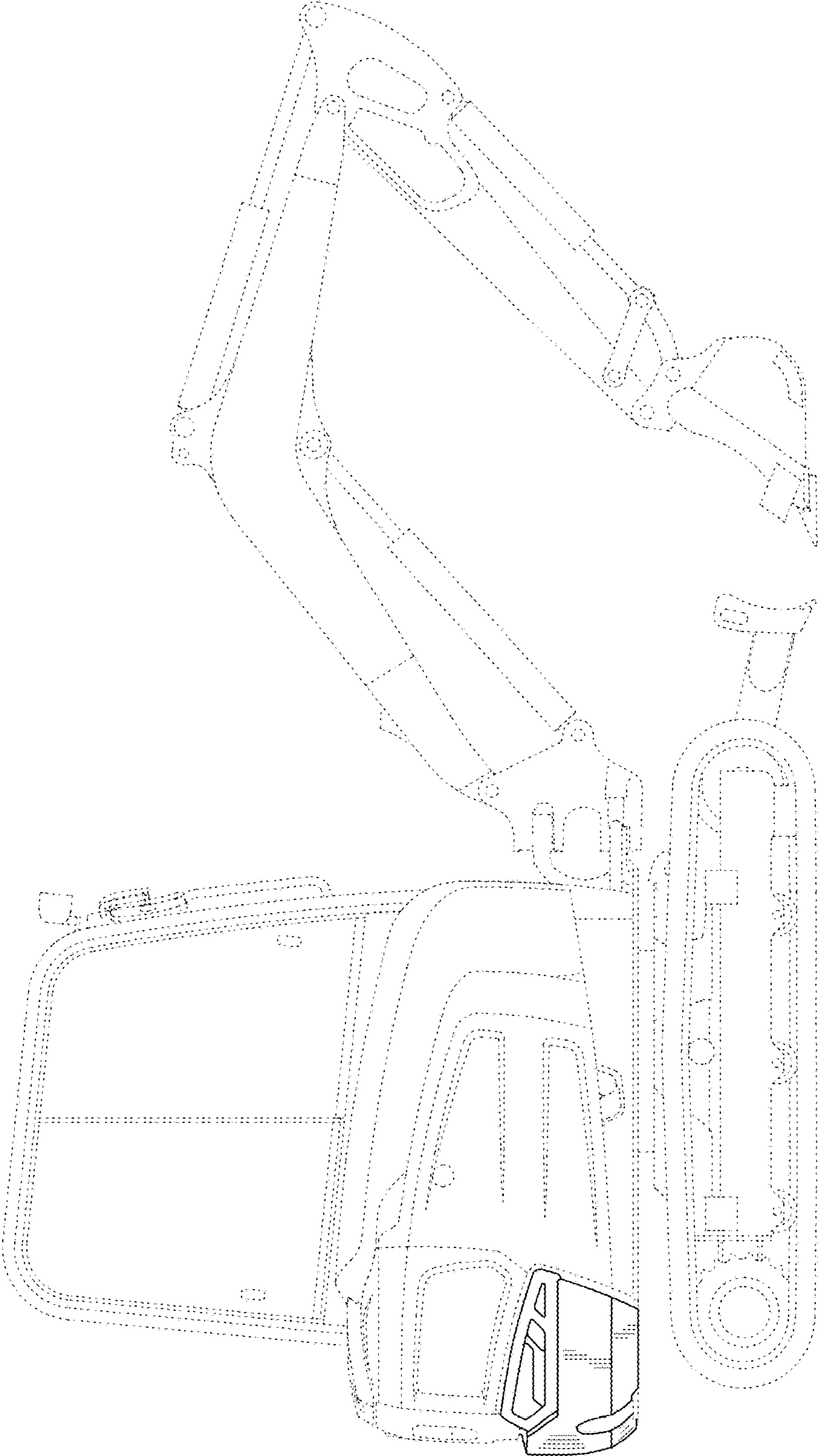


Fig.4

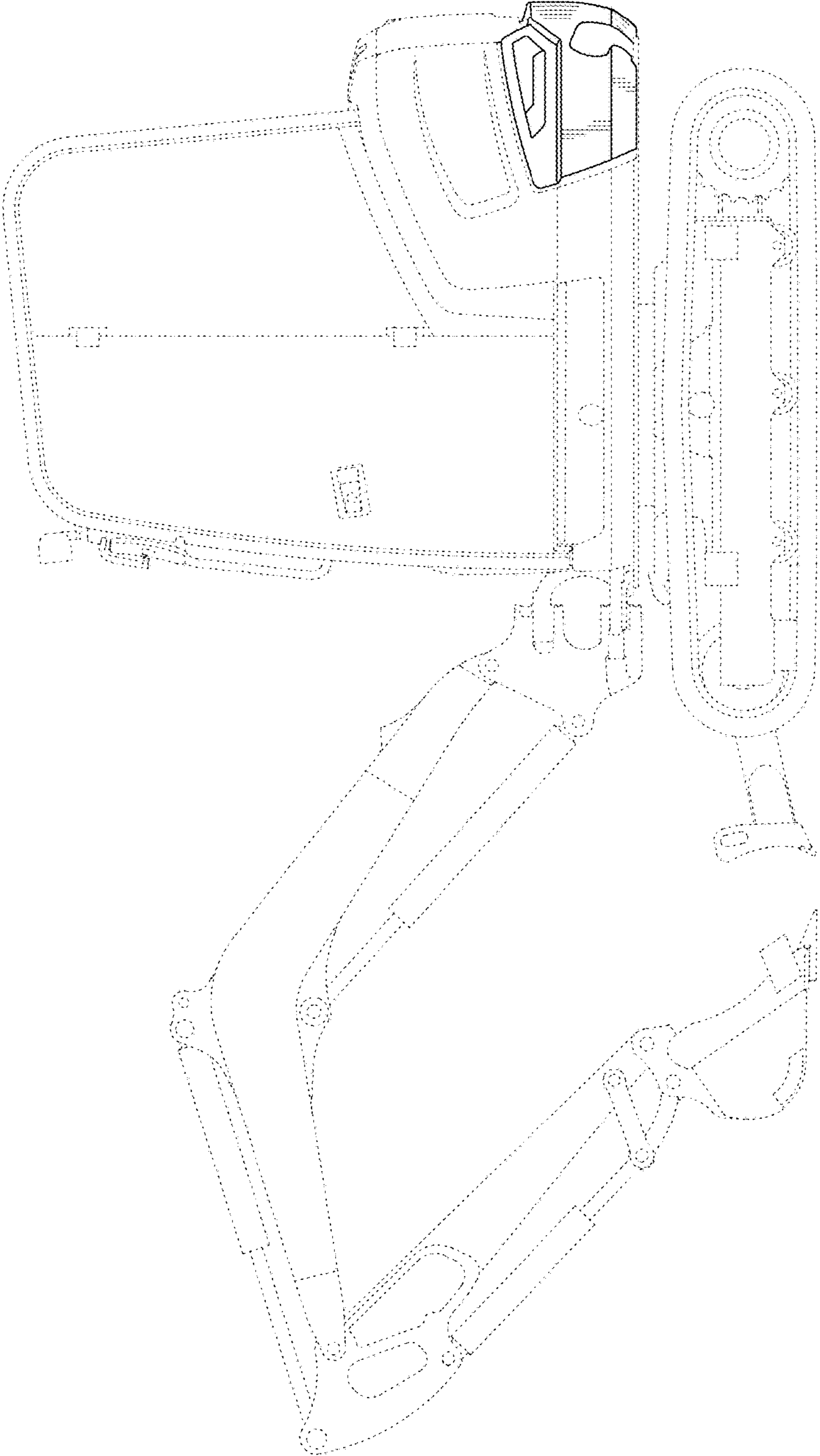


Fig.5

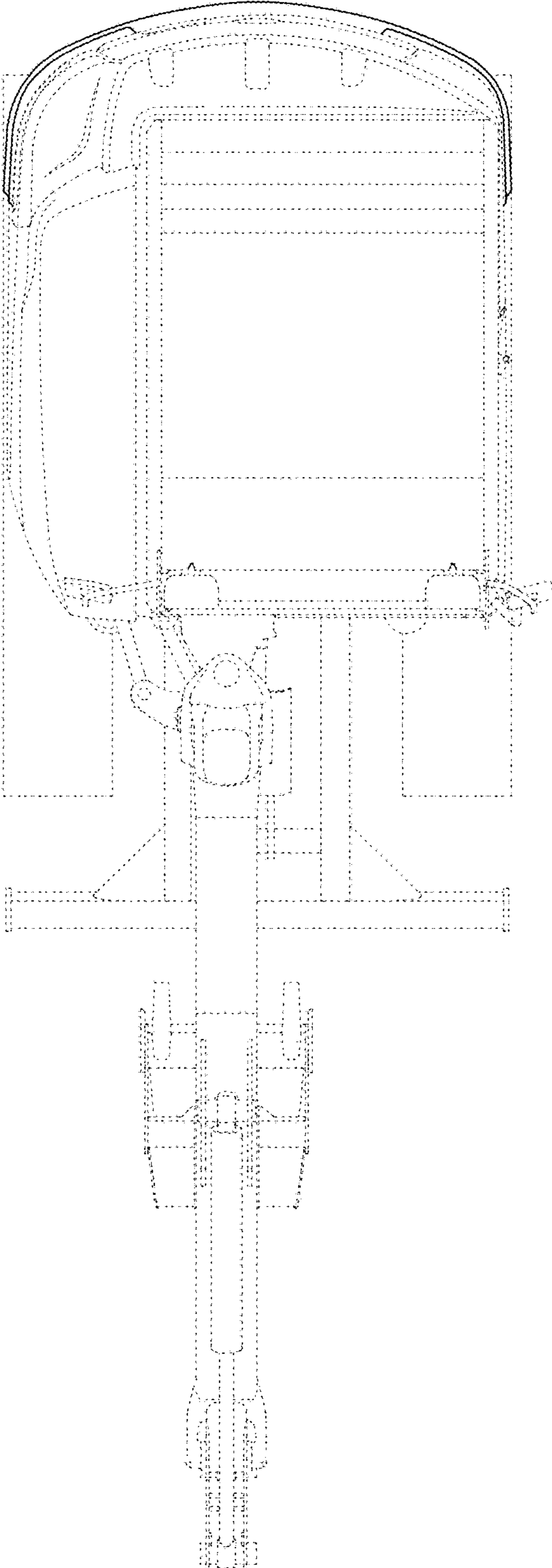


Fig.6

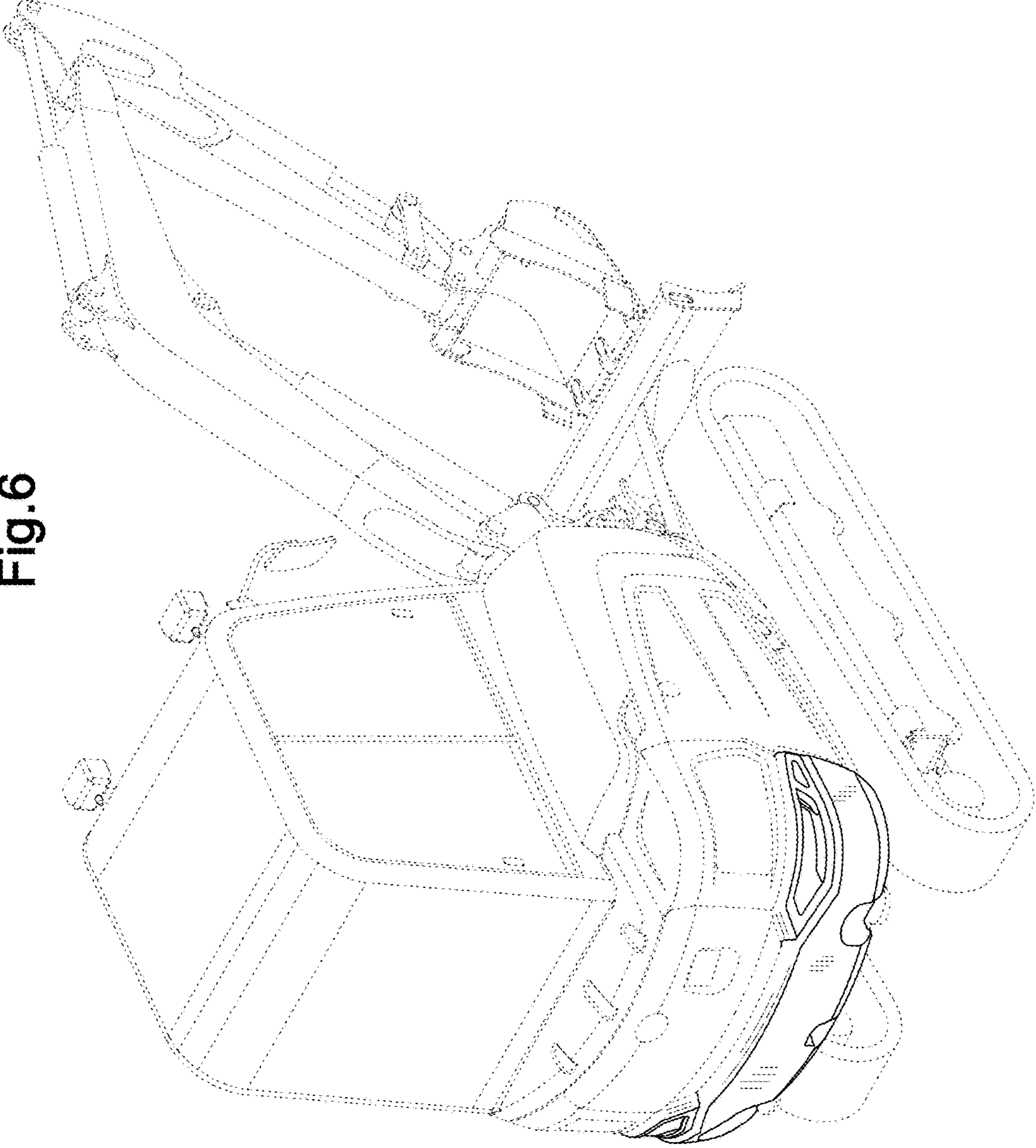


Fig.7

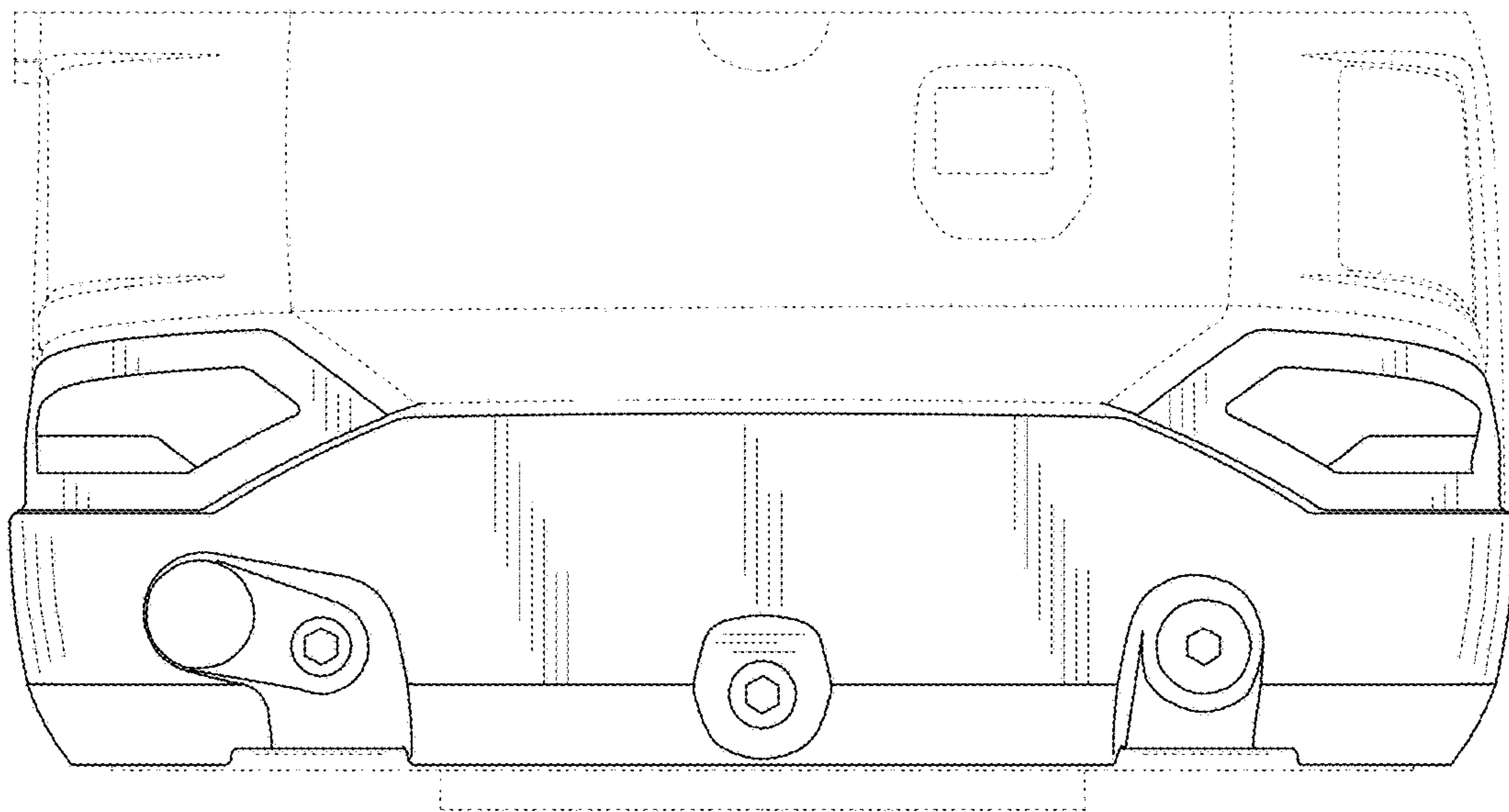


Fig.8

