



US00D792479S

(12) **United States Design Patent**
Sasaki

(10) **Patent No.:** **US D792,479 S**

(45) **Date of Patent:** **** Jul. 18, 2017**

- (54) **RIDING LAWN MOWER**
- (71) Applicant: **Kubota Corporation**, Osaka-shi (JP)
- (72) Inventor: **Wataru Sasaki**, Sakai (JP)
- (73) Assignee: **Kubota Corporation**, Osaka (JP)
- (**) Term: **15 Years**
- (21) Appl. No.: **29/566,746**
- (22) Filed: **Jun. 2, 2016**
- (51) **LOC (10) Cl.** **15-03**
- (52) **U.S. Cl.**
USPC **D15/17; D15/28**
- (58) **Field of Classification Search**
USPC D15/28, 22-26, 14-18, 31, 33; D12/181,
D12/184, 196; 296/198; 280/160, 847,
280/154, 854; 180/68.1, 900, 69.21,
180/69.22, 69.23, 69.24, 69.25, 89.1,
180/69.2, 89.12, 89.19, 273, 68.6;
56/16.1, 13.3, 15.9, 16.7, 17.4, 202, 255,
56/320.1, 13.4, 15.8, 294, 320.2
CPC .. B62D 25/161; B62D 25/168; B62D 25/182;
B62D 25/18; B62D 25/16
See application file for complete search history.

- D449,056 S * 10/2001 Westimayer D15/28
- D457,175 S * 5/2002 Goebert D15/33
- D484,894 S * 1/2004 McCord D15/28
- D493,472 S * 7/2004 Higashikawa D15/28
- D516,588 S * 3/2006 Higashikawa D15/28
- D562,350 S * 2/2008 Higashikawa D12/218
- D591,774 S * 5/2009 Kokitkar D15/28
- D591,775 S * 5/2009 Kokitkar D15/28
- D618,711 S * 6/2010 Tokuhara D15/17
- D656,520 S * 3/2012 Ortlund D12/218
- D681,064 S 4/2013 Higashikawa
- D681,686 S 5/2013 Higashikawa
- D681,687 S 5/2013 Higashikawa
- D715,329 S * 10/2014 Higashikawa D15/15
- D742,931 S * 11/2015 Burns, Jr. D15/17
- D753,192 S * 4/2016 Jackson D15/28
- D754,212 S * 4/2016 Jackson D15/28

* cited by examiner

Primary Examiner — Mark Goodwin
(74) *Attorney, Agent, or Firm* — The Webb Law Firm

(57) **CLAIM**

The ornamental design for a riding lawn mower, as shown and described.

DESCRIPTION

FIG. 1 is a front view of a riding lawn mower showing my new design;
FIG. 2 is a rear view thereof;
FIG. 3 is a left side view thereof;
FIG. 4 is a right side view thereof;
FIG. 5 is a top view thereof; and,
FIG. 6 is an upper right front perspective view thereof.
The portions of the riding lawn mower shown in broken lines form no part of the claimed design.

1 Claim, 6 Drawing Sheets

- (56) **References Cited**
U.S. PATENT DOCUMENTS
D338,896 S * 8/1993 Flenniken D15/17
D432,549 S * 10/2000 Surridge D15/17
D433,425 S * 11/2000 Surridge D15/17
D440,233 S * 4/2001 Smith D15/17
D441,769 S * 5/2001 Surridge D12/415
D448,036 S * 9/2001 Goebert D15/17

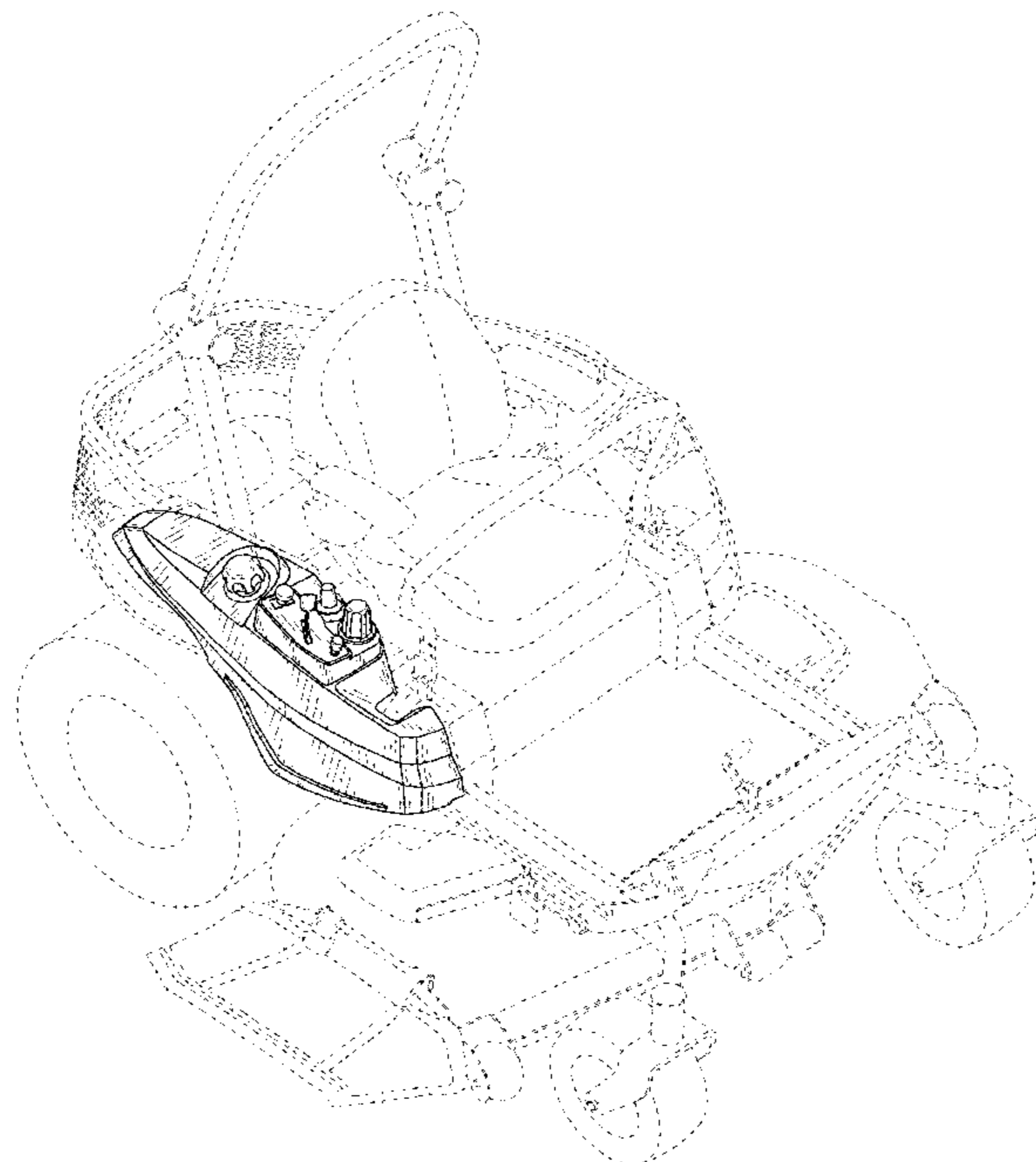


Fig.1

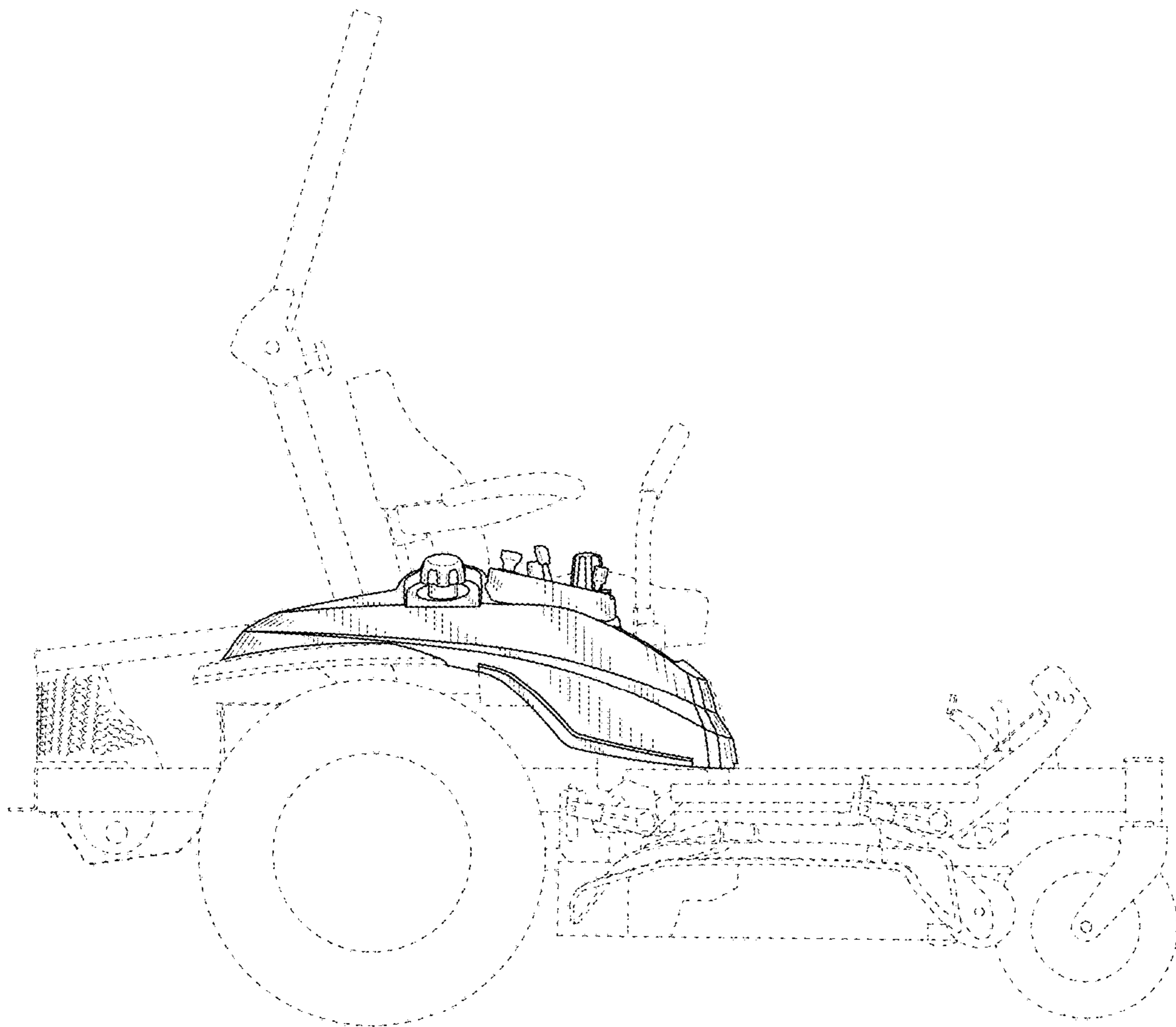


Fig.2

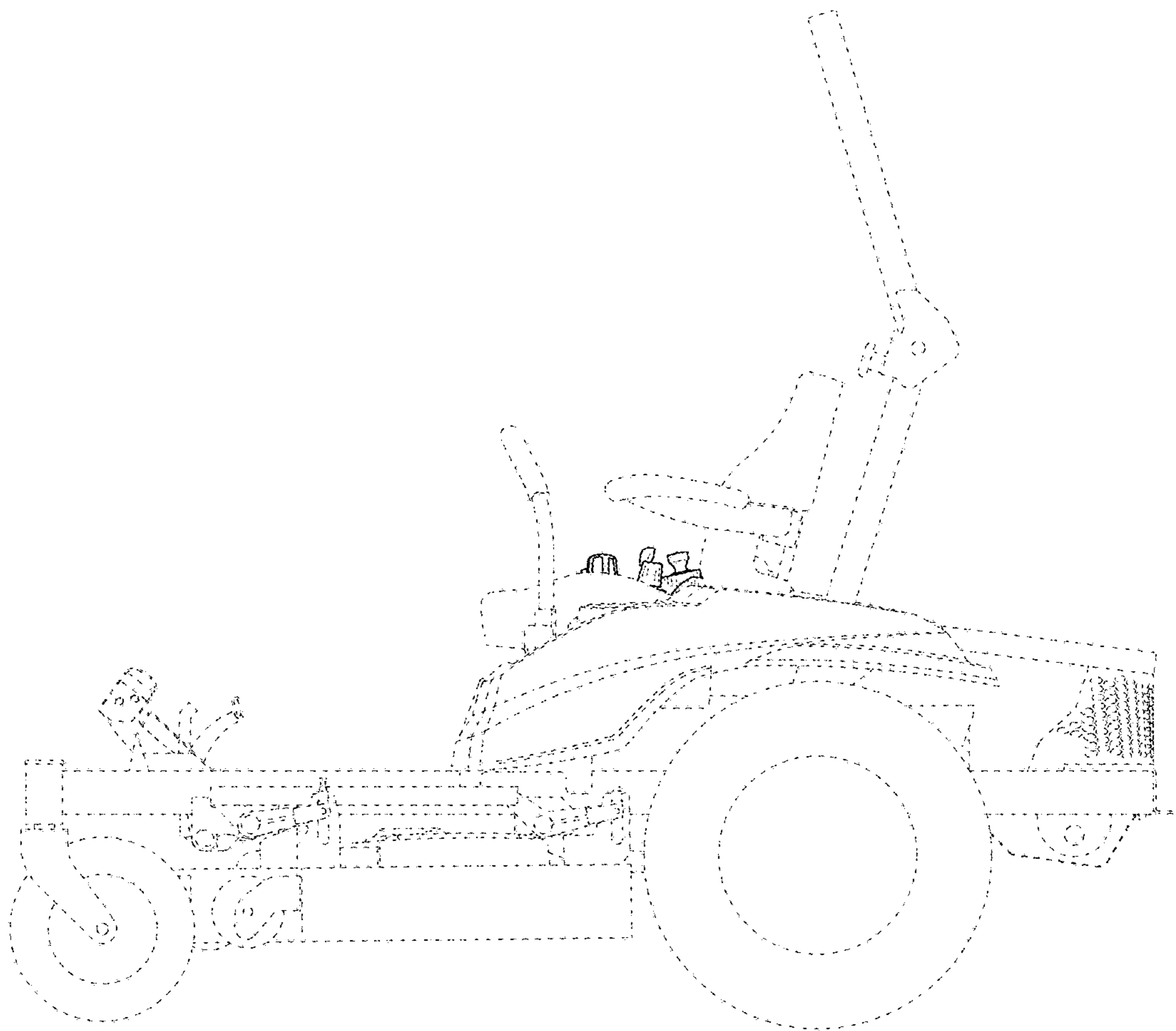


Fig.3

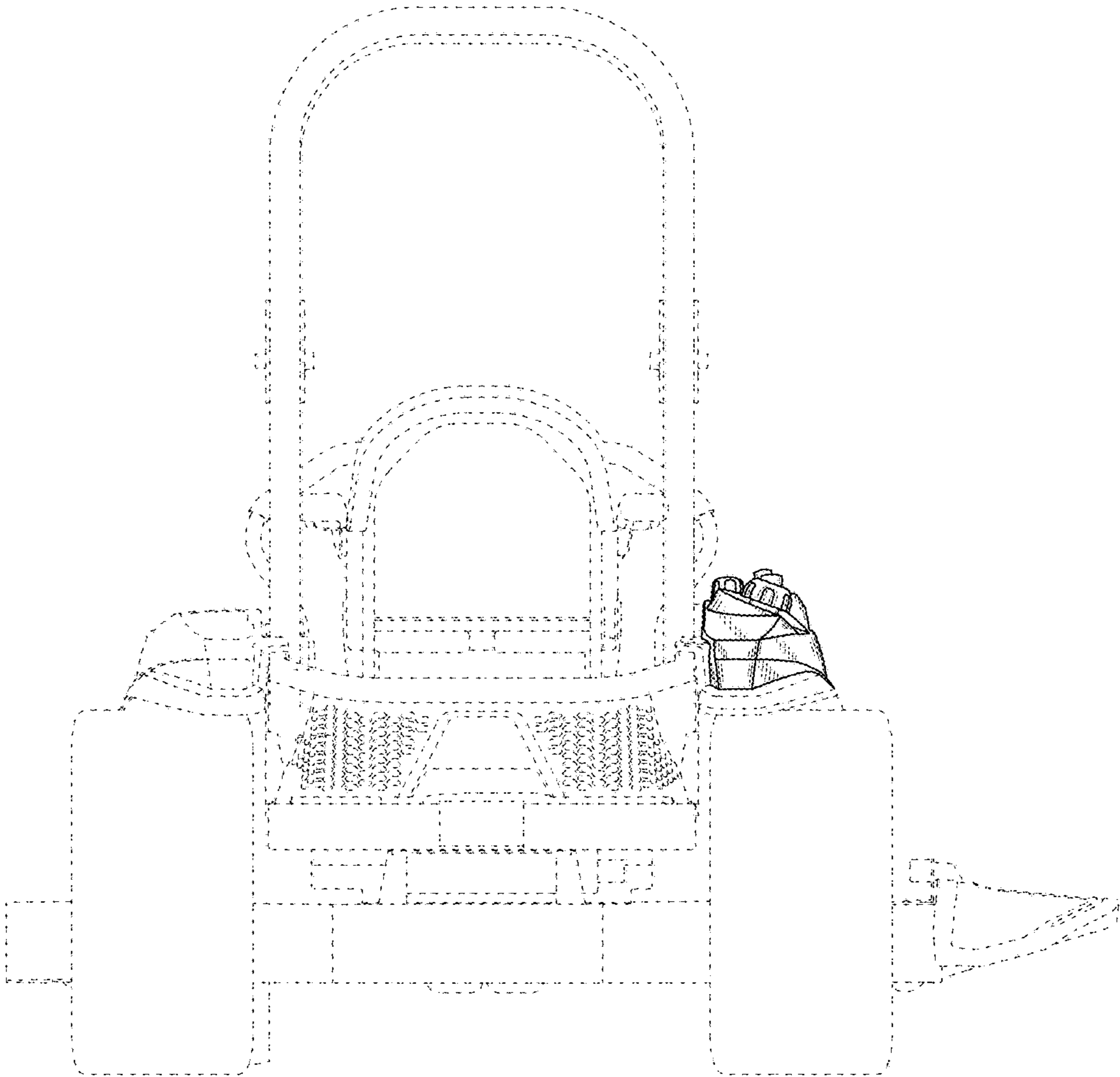


Fig.4

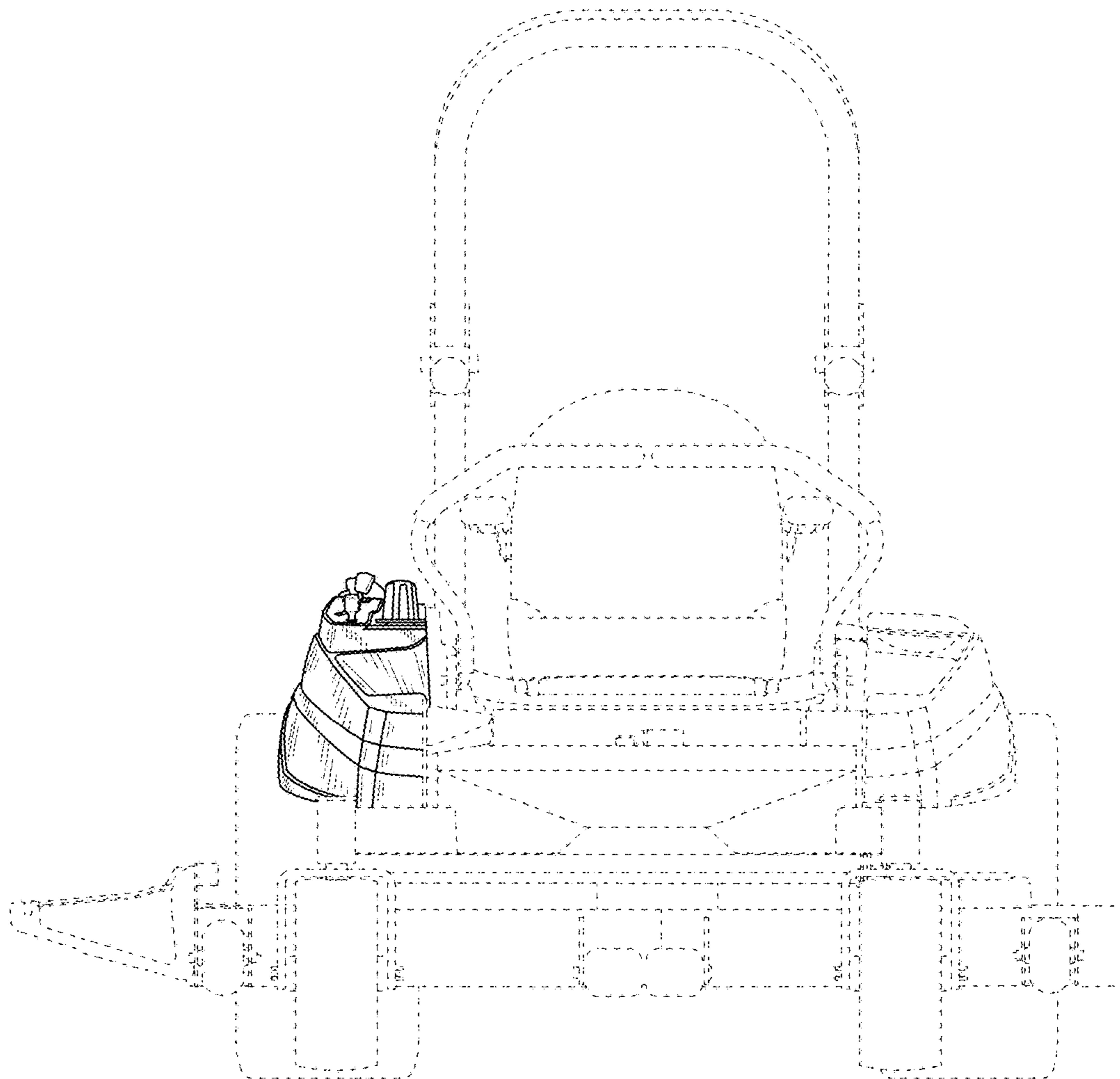


Fig.5

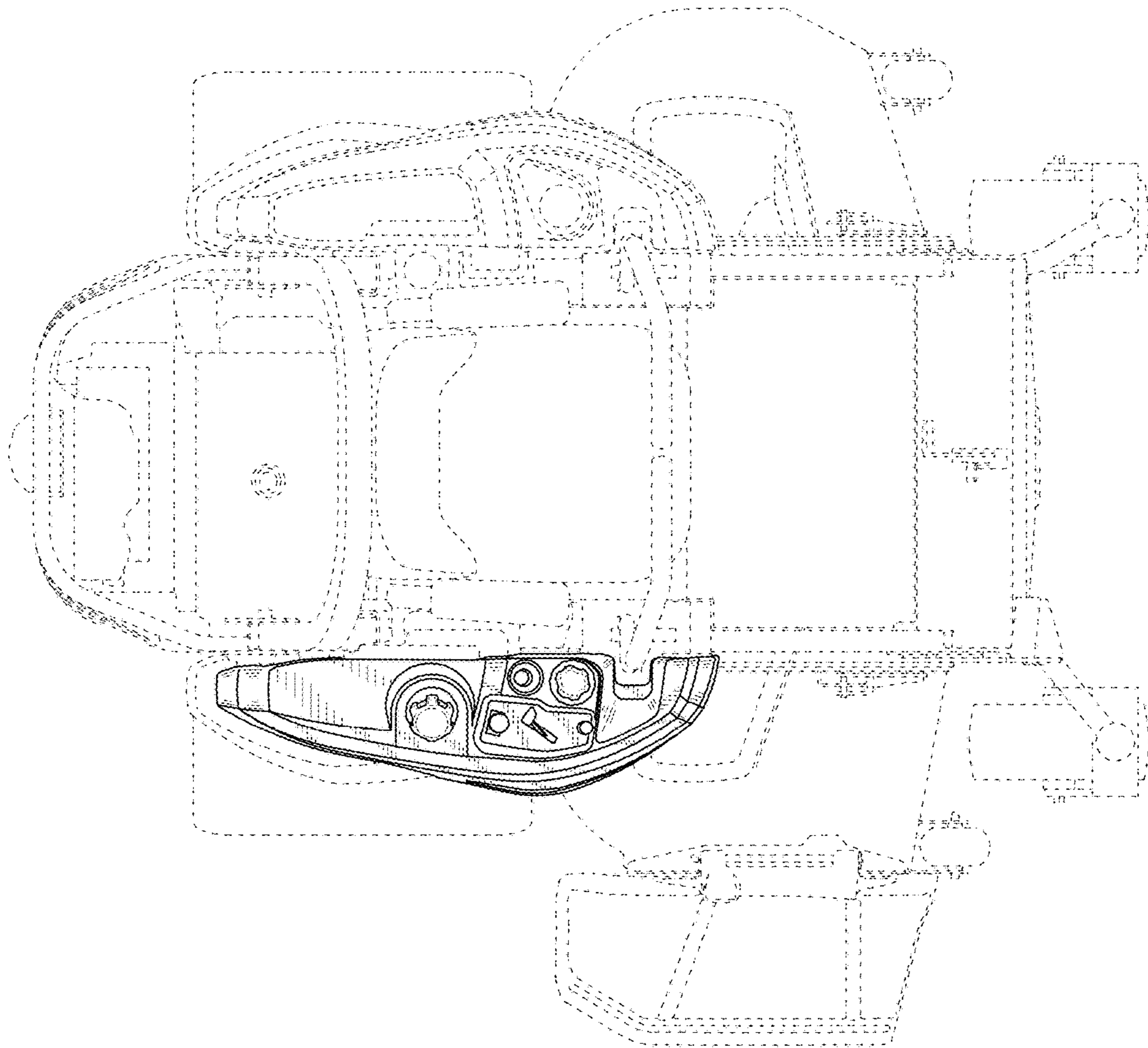


Fig.6

