

US00D792473S

(12) **United States Design Patent**  
**Imsand et al.**

(10) **Patent No.: US D792,473 S**  
(45) **Date of Patent: \*\* Jul. 18, 2017**

(54) **CORDLESS AIR COMPRESSOR**

(56) **References Cited**

(71) Applicant: **Black & Decker Inc.**, New Britain, CT (US)

U.S. PATENT DOCUMENTS

(72) Inventors: **Nicholas R. Imsand**, Baltimore, MD (US); **Jonathan Kirkpatrick**, Baldwin, MD (US)

4,202,654 A *	5/1980	Marlow .....	F04D 7/04 415/113
D536,006 S *	1/2007	Lacey .....	D15/7
D620,500 S *	7/2010	Brandt .....	D15/9
D667,467 S *	9/2012	Kosugi .....	D15/9
D718,790 S *	12/2014	Yang .....	D15/9
D749,643 S *	2/2016	Craig .....	D15/9
D754,755 S *	4/2016	Suthmann .....	D15/9
D774,554 S *	12/2016	Imsand .....	D15/7
D776,168 S *	1/2017	Balma .....	D15/9

(73) Assignee: **Black & Decker Inc.**, New Britain, CT (US)

(\*\*) Term: **15 Years**

\* cited by examiner

(21) Appl. No.: **29/585,083**

*Primary Examiner* — Ralf Seifert

(22) Filed: **Nov. 21, 2016**

(74) *Attorney, Agent, or Firm* — Adan Ayala

**Related U.S. Application Data**

(63) Continuation of application No. 29/544,418, filed on Nov. 3, 2015, now Pat. No. Des. 774,554.

(51) **LOC (10) Cl.** ..... **15-02**

(52) **U.S. Cl.**  
USPC ..... **D15/7**

(58) **Field of Classification Search**  
USPC ..... D15/7-9; D23/231, 232, 225; 417/60, 417/235, 265, 321, 355, 358, 363, 359, 417/410.1, 415-416, 405, 900; 60/408, 60/412; 184/26-37; 415/140-147; 123/495, 509  
CPC ..... F02M 37/04; F02M 37/14; F04D 7/04  
See application file for complete search history.

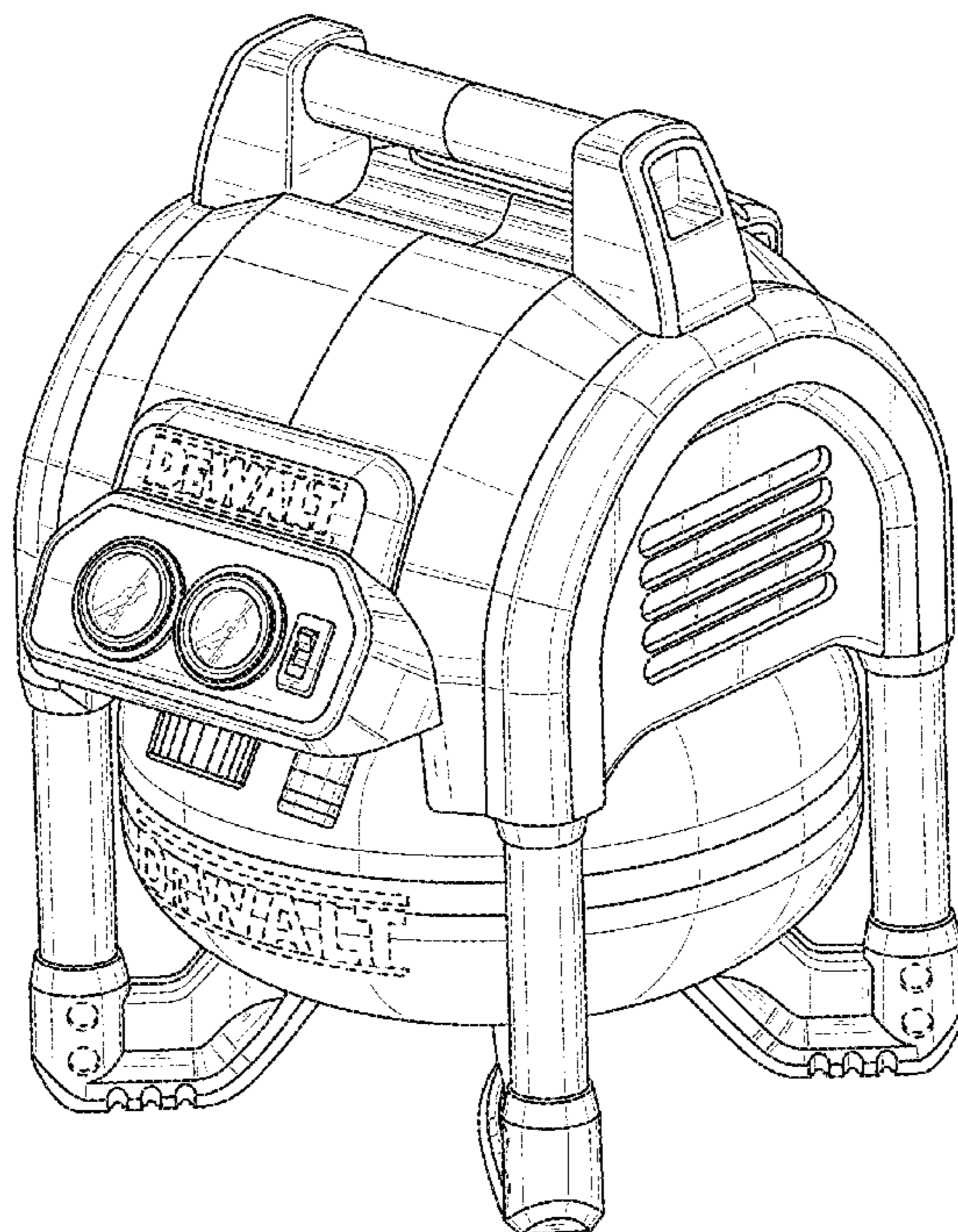
(57) **CLAIM**

The ornamental design for a cordless air compressor, as shown and described.

**DESCRIPTION**

FIG. 1 is a front perspective view of a cordless air compressor showing my new design;  
FIG. 2 is a front view thereof;  
FIG. 3 is a rear view thereof;  
FIG. 4 is a left side view thereof;  
FIG. 5 is a right side view thereof;  
FIG. 6 is a top view thereof;  
FIG. 7 is a bottom view thereof; and,  
FIG. 8 is a rear perspective view.  
The broken lines in the Figures are included for the purpose of illustrating portions of the air compressor that form no part of the claimed design.

**1 Claim, 8 Drawing Sheets**



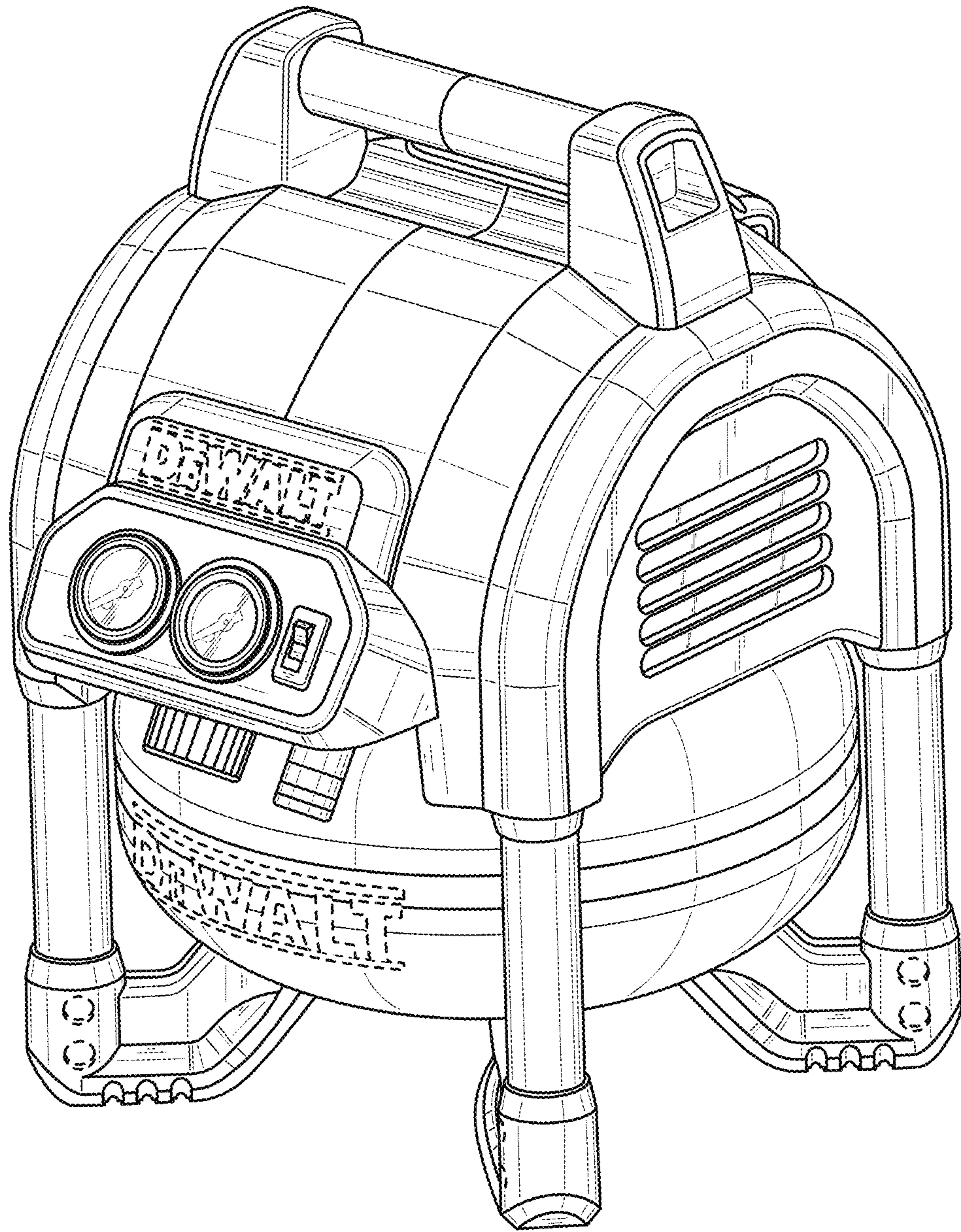


FIG. 1

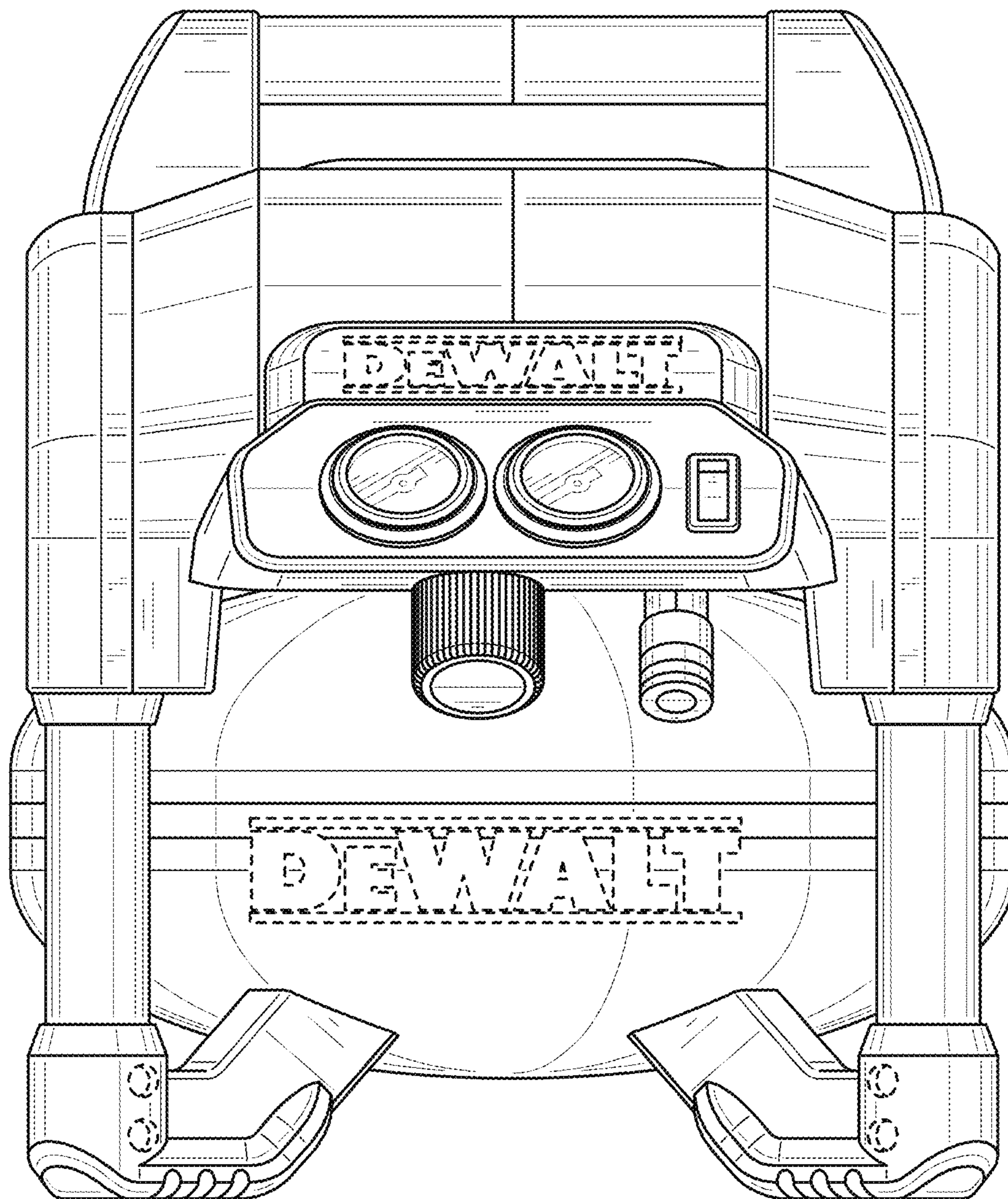


FIG. 2

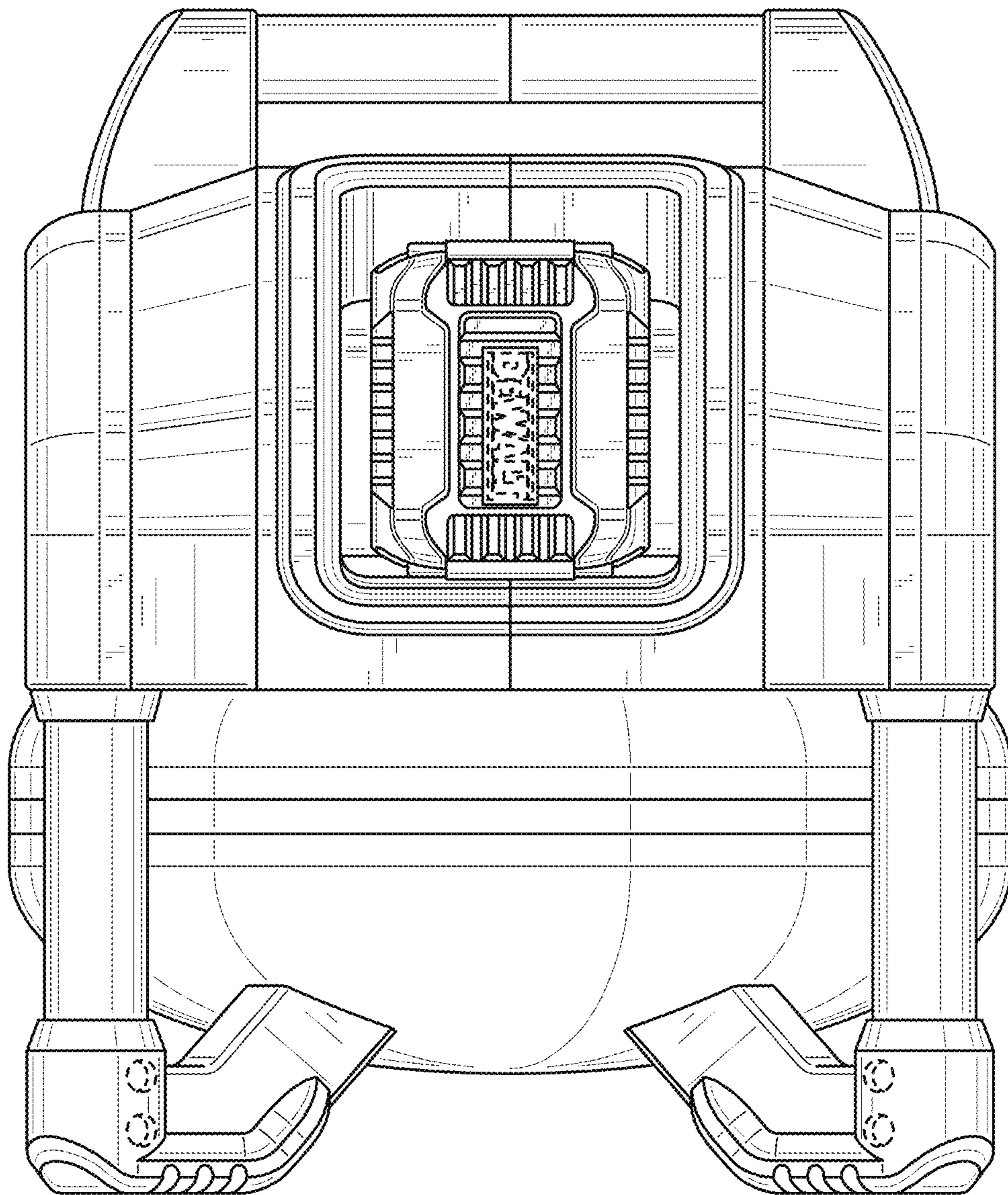


FIG. 3

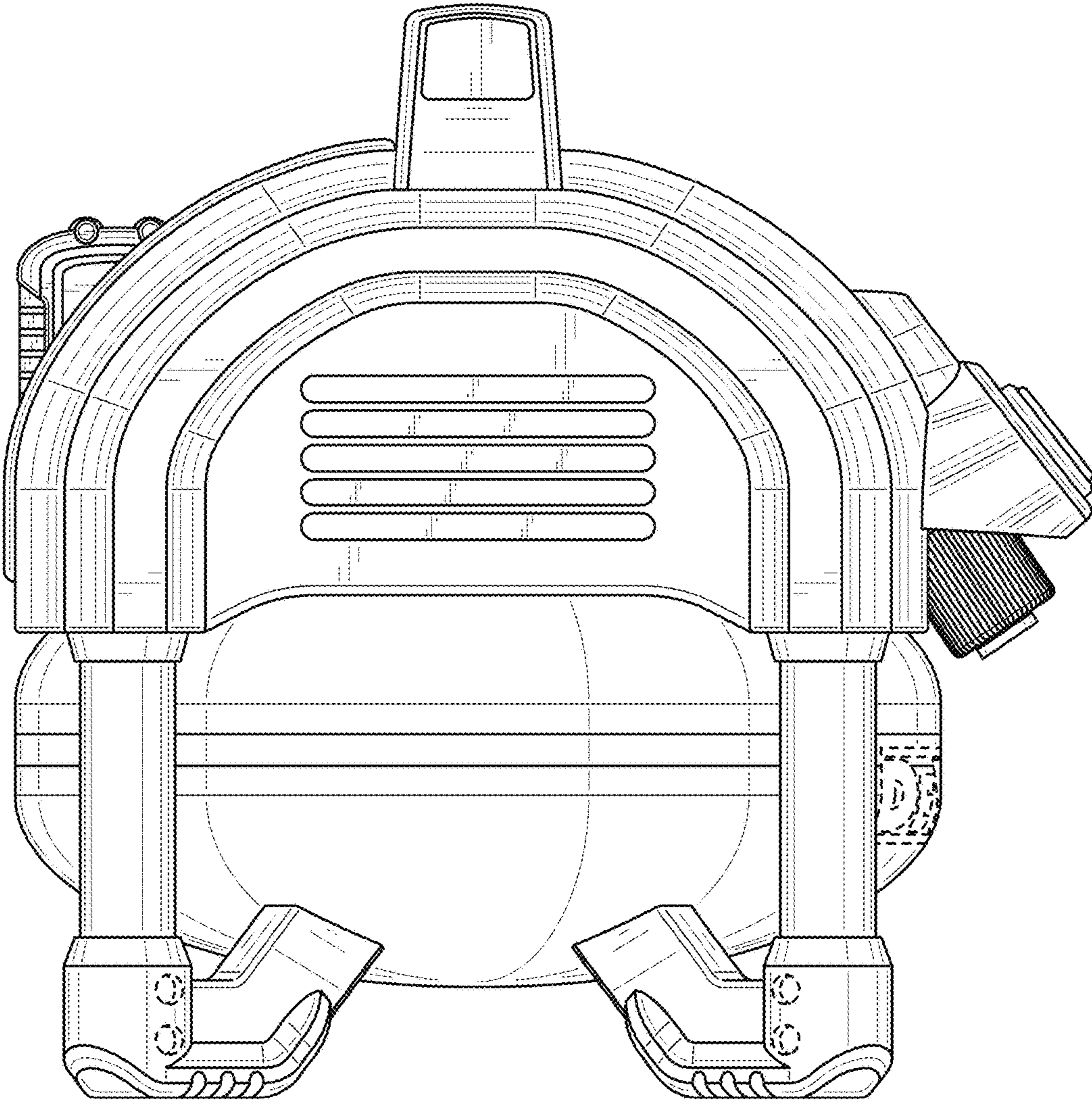


FIG. 4

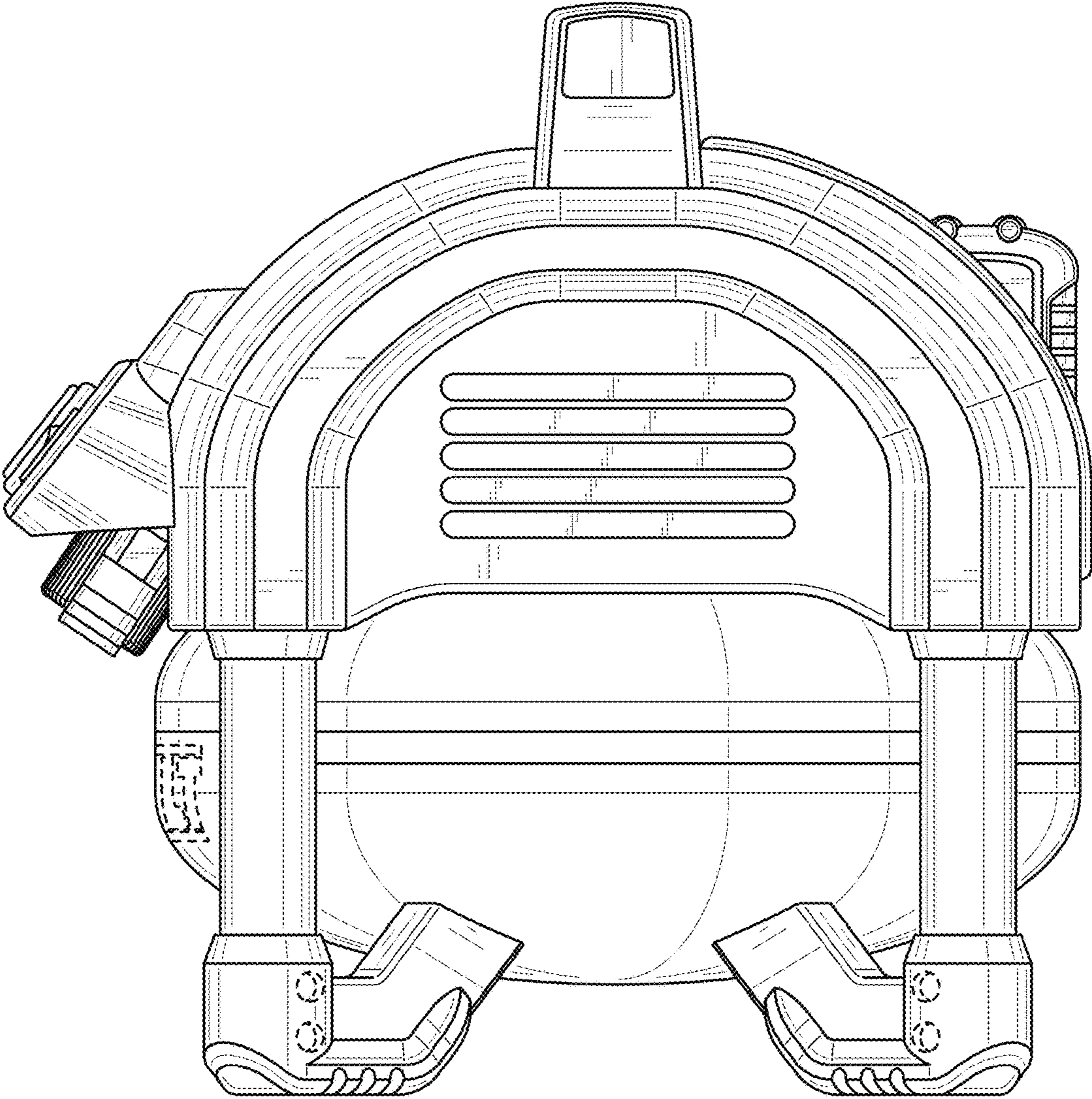


FIG. 5

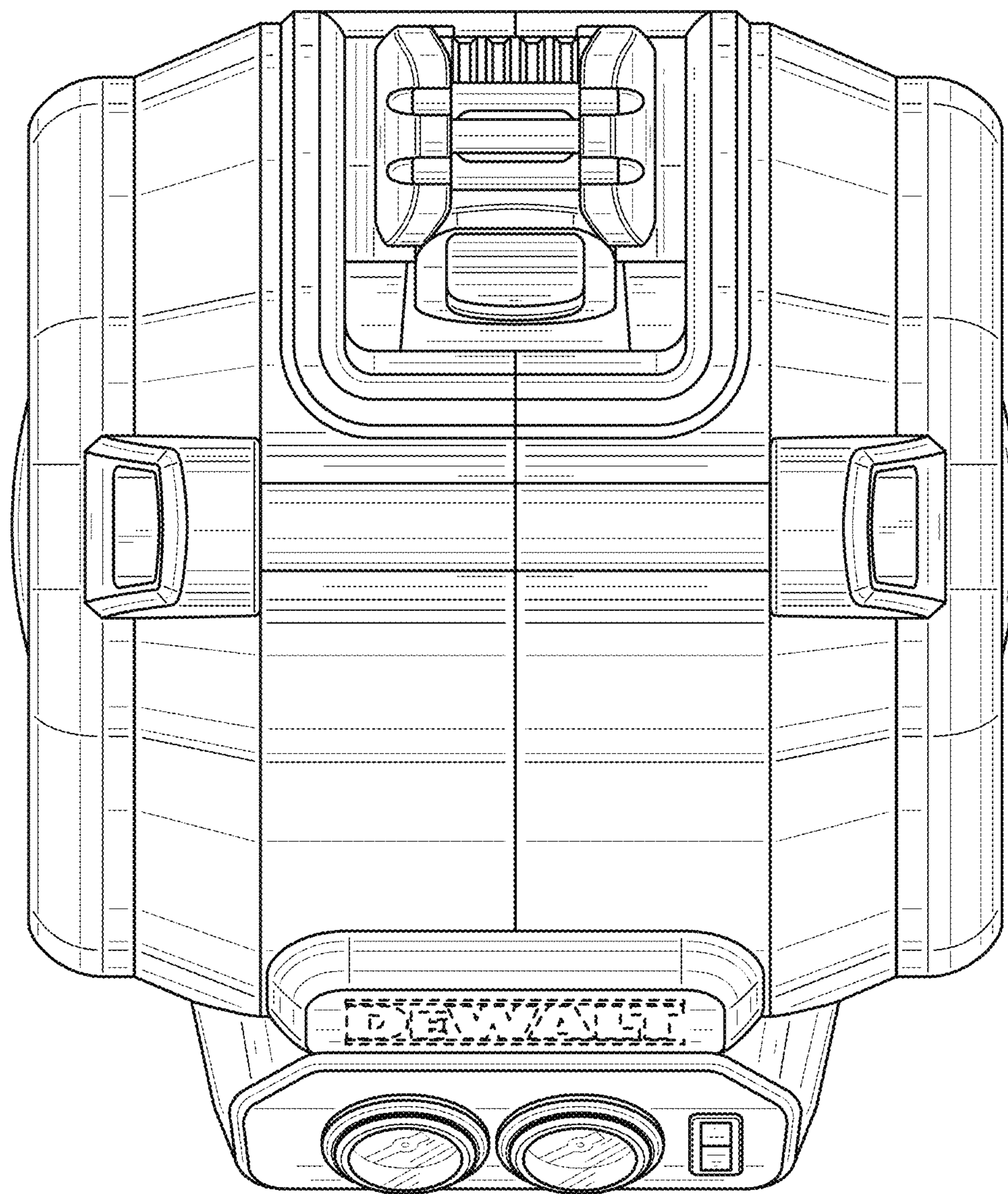


FIG. 6

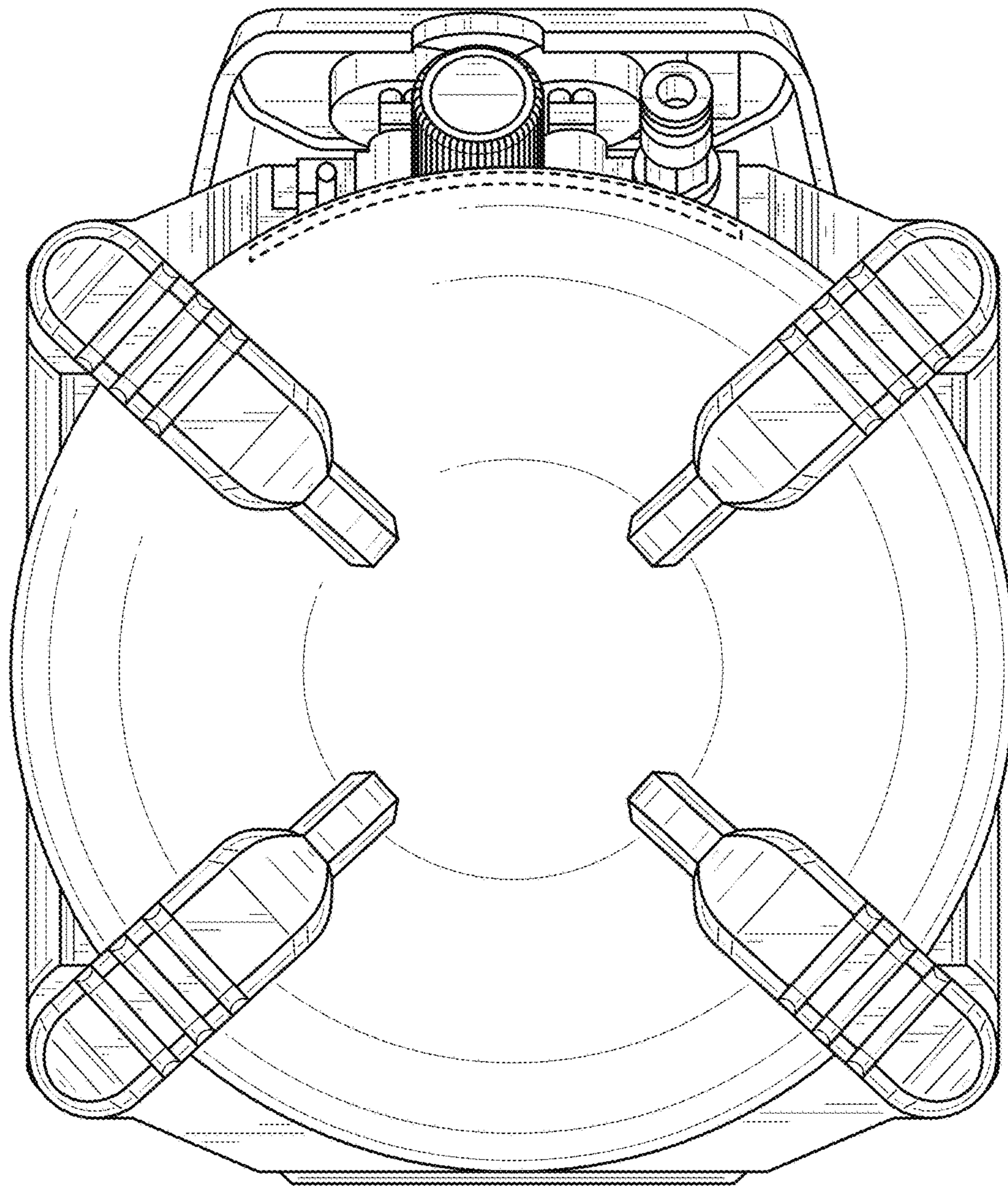


FIG. 7



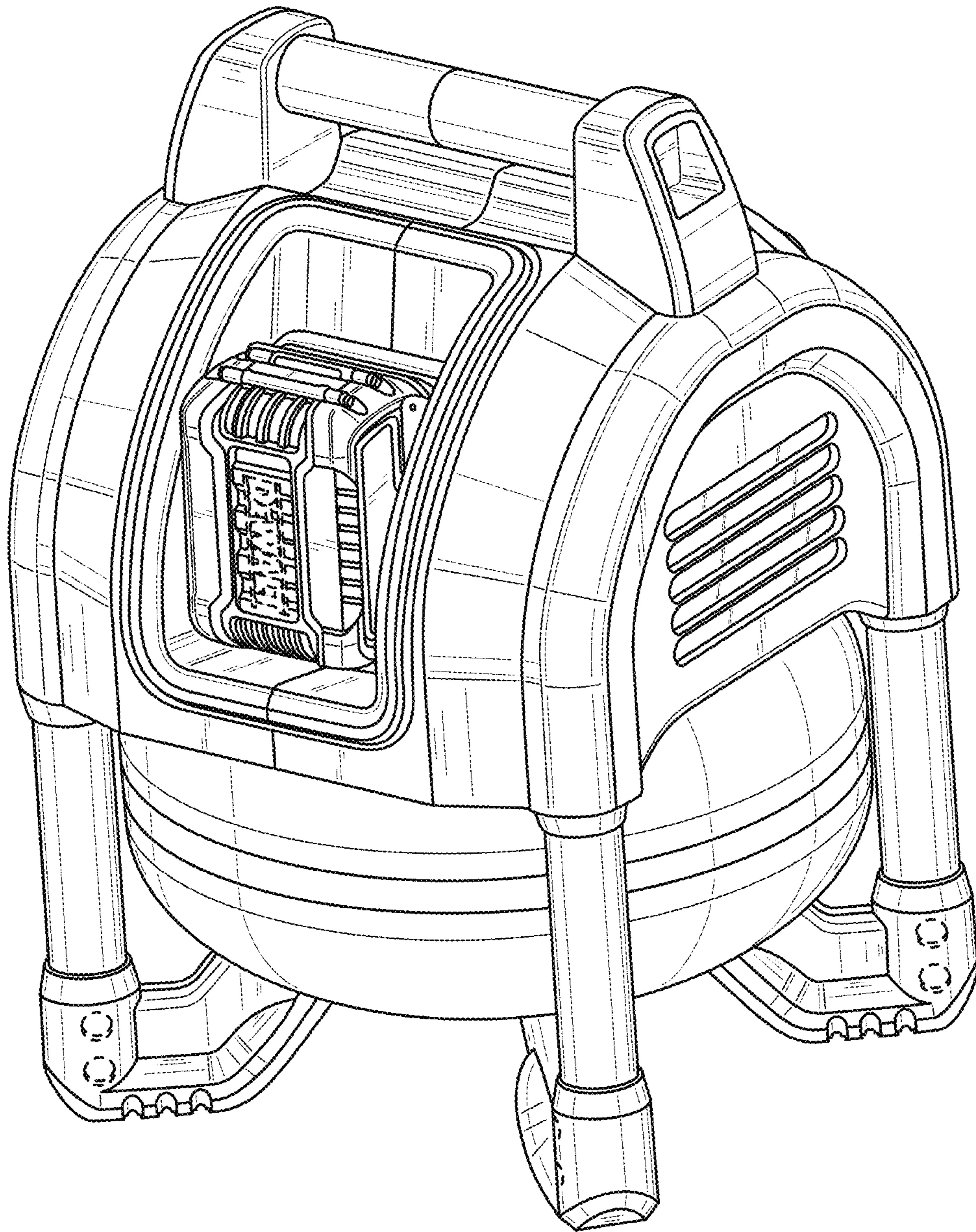


FIG. 8