



US00D792472S

(12) **United States Design Patent**  
**Kirkpatrick et al.**

(10) **Patent No.:** **US D792,472 S**

(45) **Date of Patent:** **\*\* Jul. 18, 2017**

(54) **CORDLESS COMPRESSOR**

(71) Applicant: **BLACK & DECKER INC.**, New Britain, CT (US)

(72) Inventors: **Jonathan Kirkpatrick**, Baldwin, MD (US); **Nicholas Imsand**, Baltimore, MD (US)

(73) Assignee: **Black & Decker Inc.**, New Britain, CT (US)

(\*\*) Term: **15 Years**

(21) Appl. No.: **29/557,582**

(22) Filed: **Mar. 10, 2016**

(51) **LOC (10) Cl.** ..... **15-02**

(52) **U.S. Cl.**  
USPC ..... **D15/7**

(58) **Field of Classification Search**  
USPC ..... D15/7-9; D23/231, 232, 225; 417/60, 417/235, 265, 321, 355, 358, 363, 359, 417/410.1, 415-416, 405, 900; 60/408, 60/412; 184/26-37; 415/140-147; 123/495, 509  
CPC ..... F02M 37/04; F02M 37/14; F04D 7/04  
See application file for complete search history.

(56) **References Cited**

**U.S. PATENT DOCUMENTS**

4,202,654 A \* 5/1980 Marlow ..... F04D 7/04  
415/113  
D536,006 S \* 1/2007 Lacey ..... D15/7

D620,500 S \* 7/2010 Brandt ..... D15/9  
D667,467 S \* 9/2012 Kosugi ..... D15/9  
D718,790 S \* 12/2014 Yang ..... D15/9  
D749,643 S \* 2/2016 Craig ..... D15/9  
D754,755 S \* 4/2016 Suthmann ..... D15/9  
D774,554 S \* 12/2016 Imsand ..... D15/7  
D776,168 S \* 1/2017 Balma ..... D15/9

\* cited by examiner

*Primary Examiner* — Ralf Seifert

(74) *Attorney, Agent, or Firm* — Adan Ayala

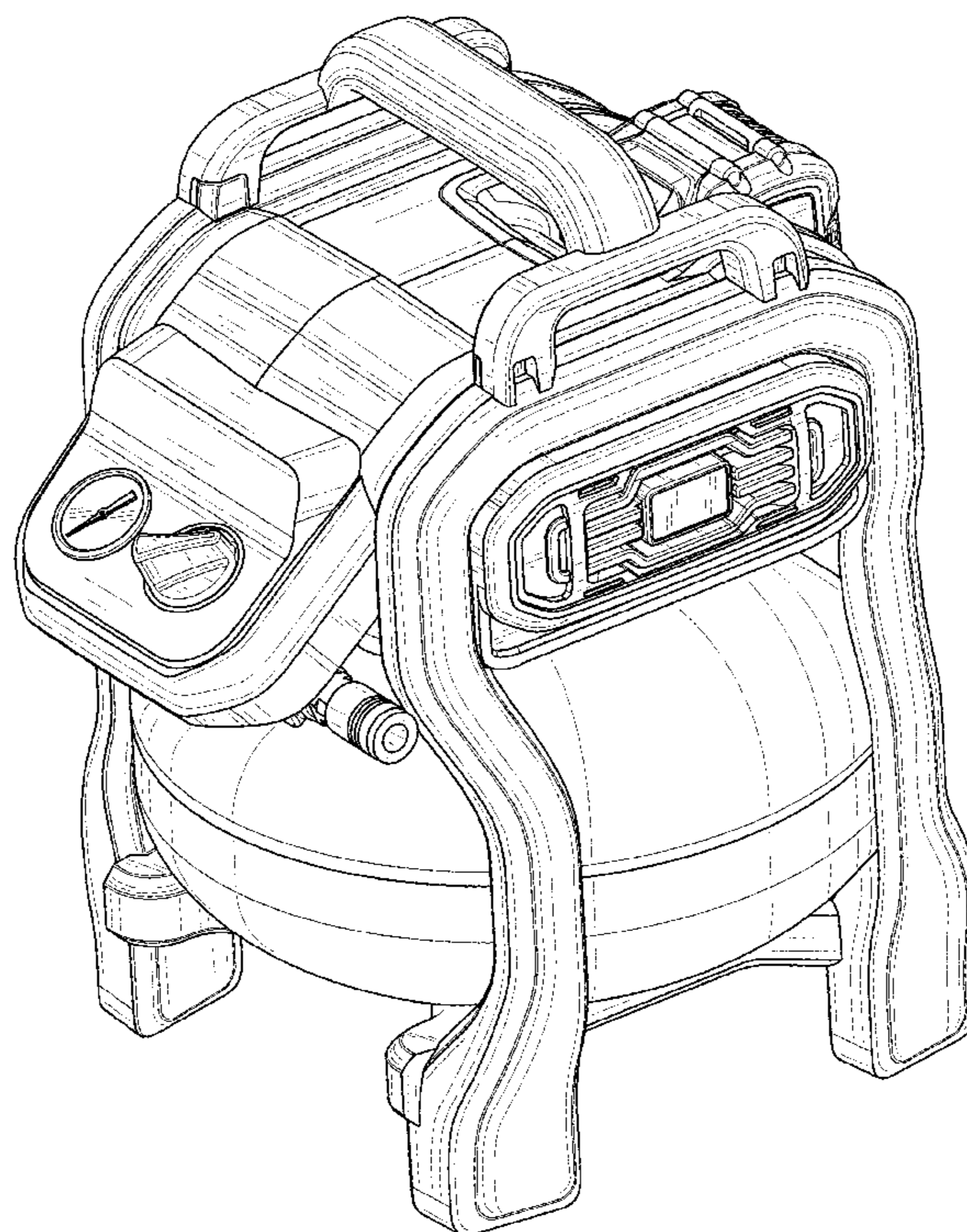
(57) **CLAIM**

The ornamental design for a cordless compressor, as shown and described.

**DESCRIPTION**

FIG. 1 is a top and right-side perspective view of a cordless compressor showing our new design;  
FIG. 2 is a front elevation view thereof;  
FIG. 3 is a rear elevation view thereof;  
FIG. 4 is a left-side elevation view thereof;  
FIG. 5 is a right-side elevation view thereof;  
FIG. 6 is a top plan view thereof; and,  
FIG. 7 is a bottom plan view thereof.

**1 Claim, 7 Drawing Sheets**



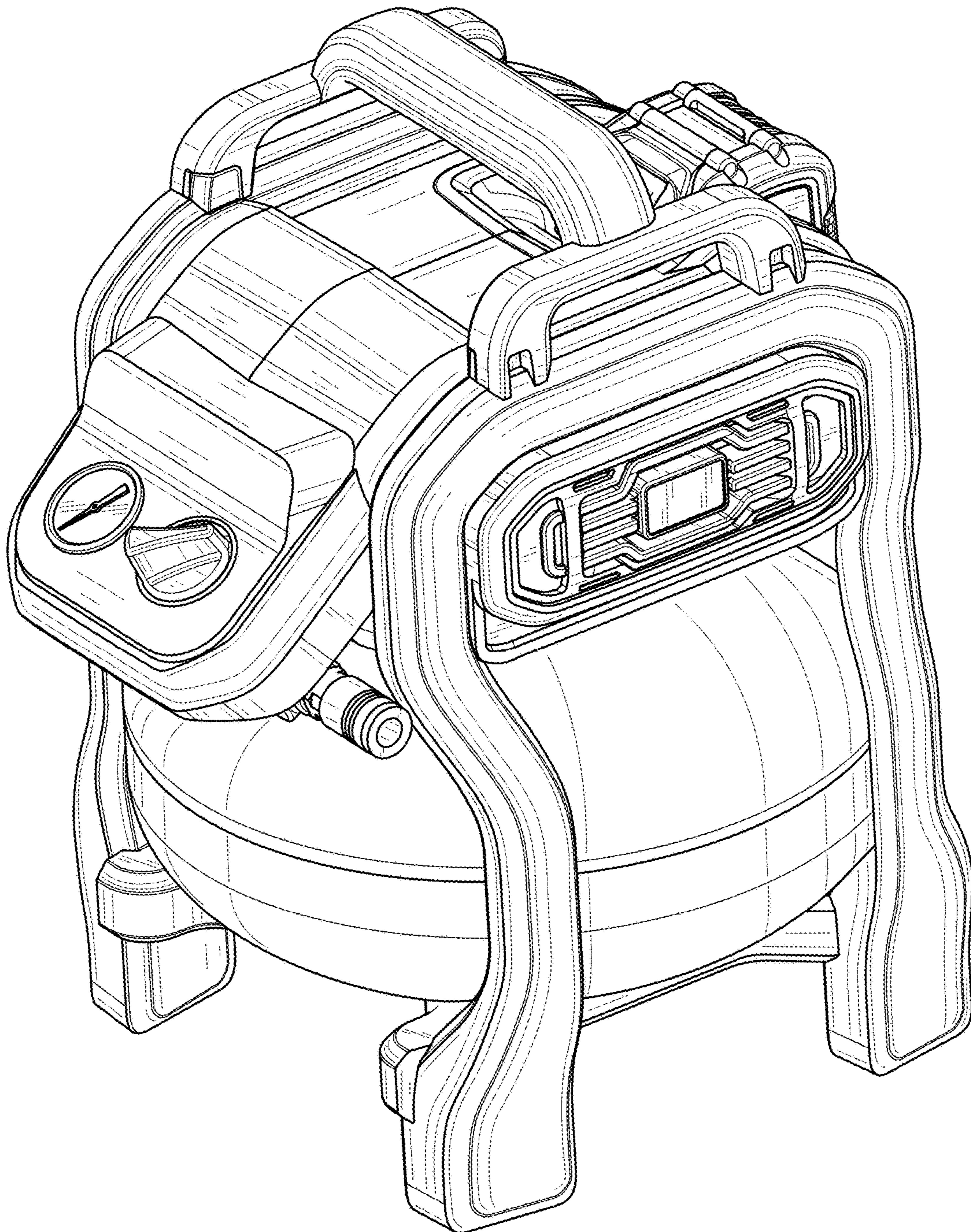


FIG. 1

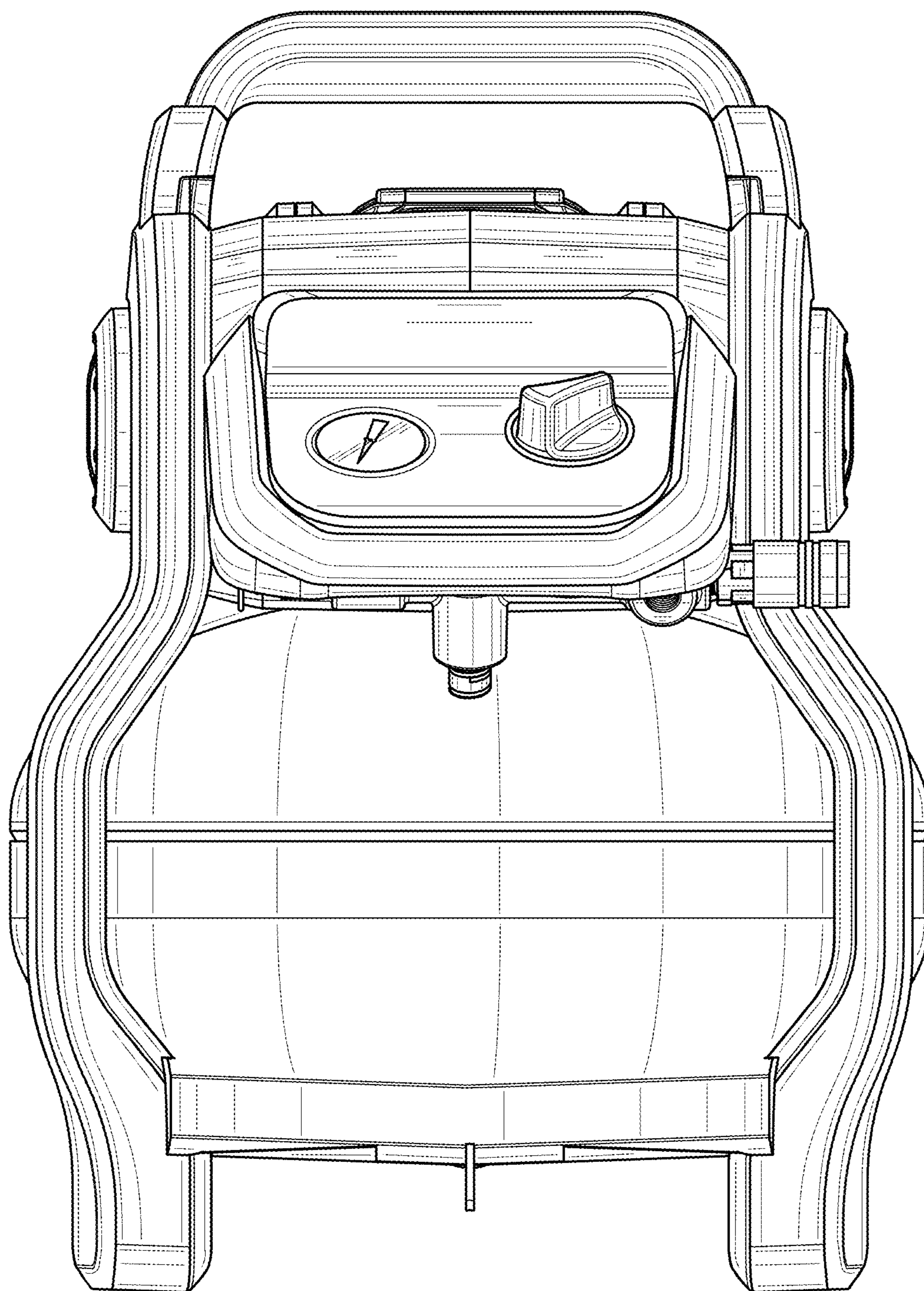


FIG. 2

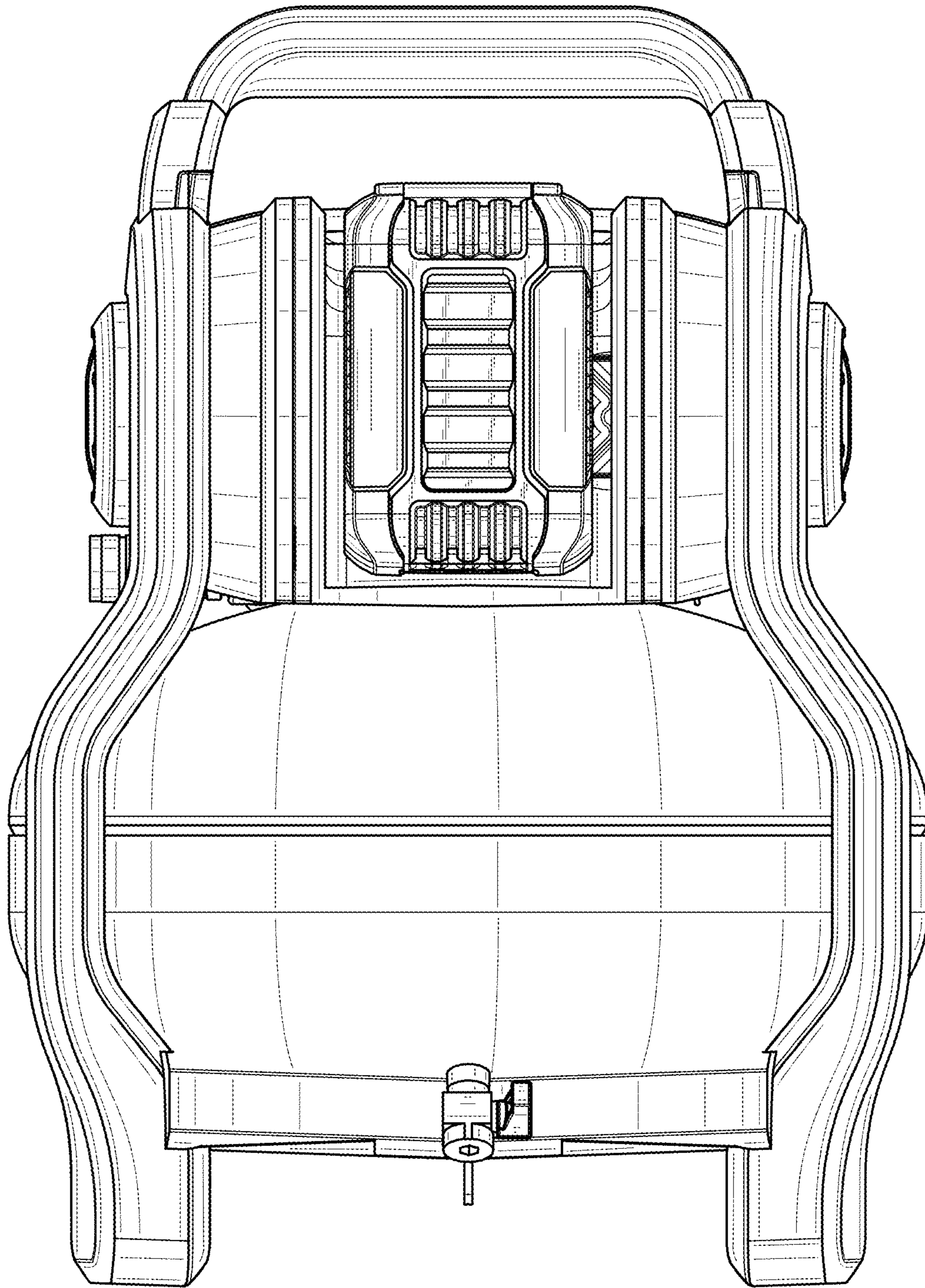


FIG. 3

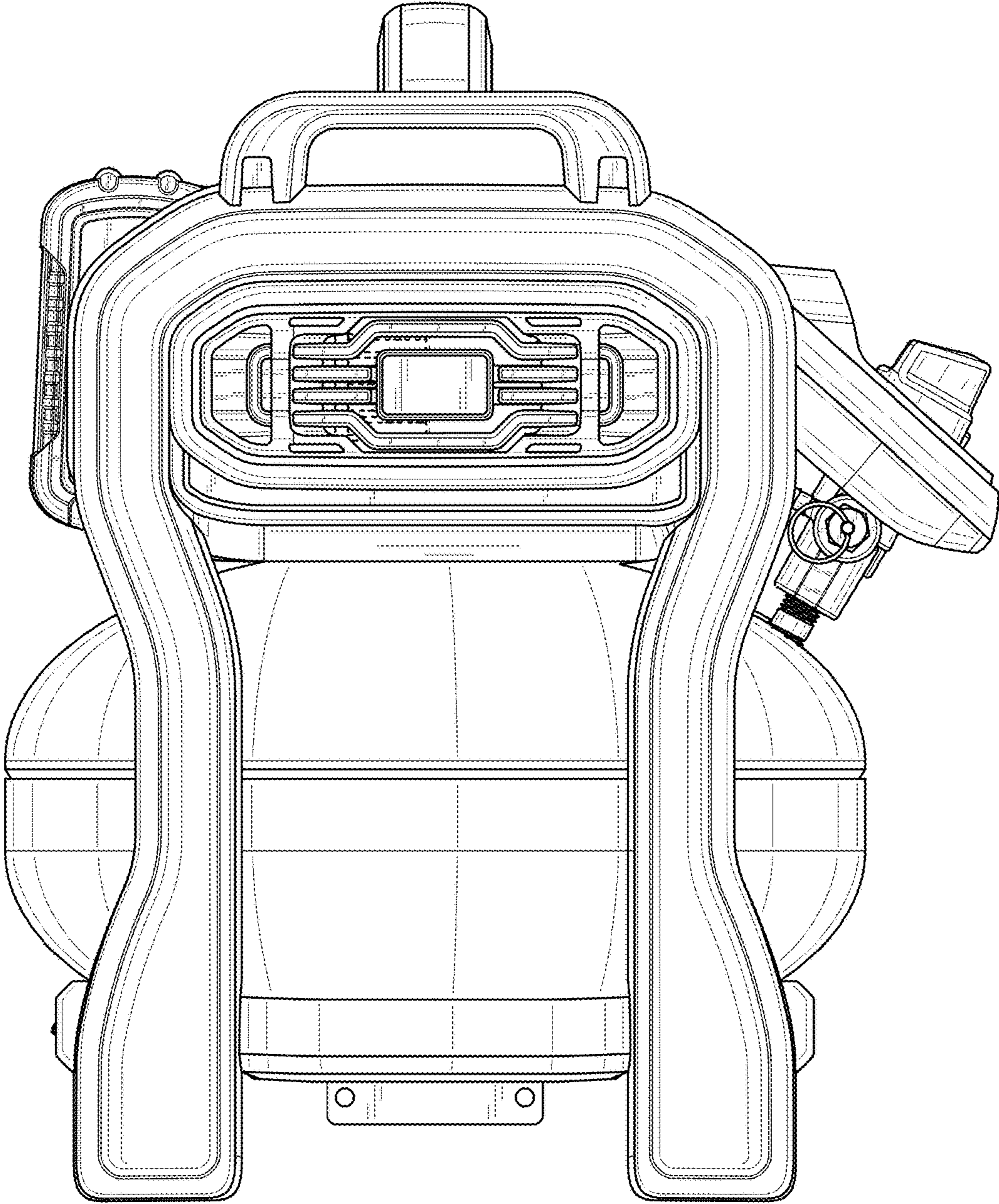


FIG. 4

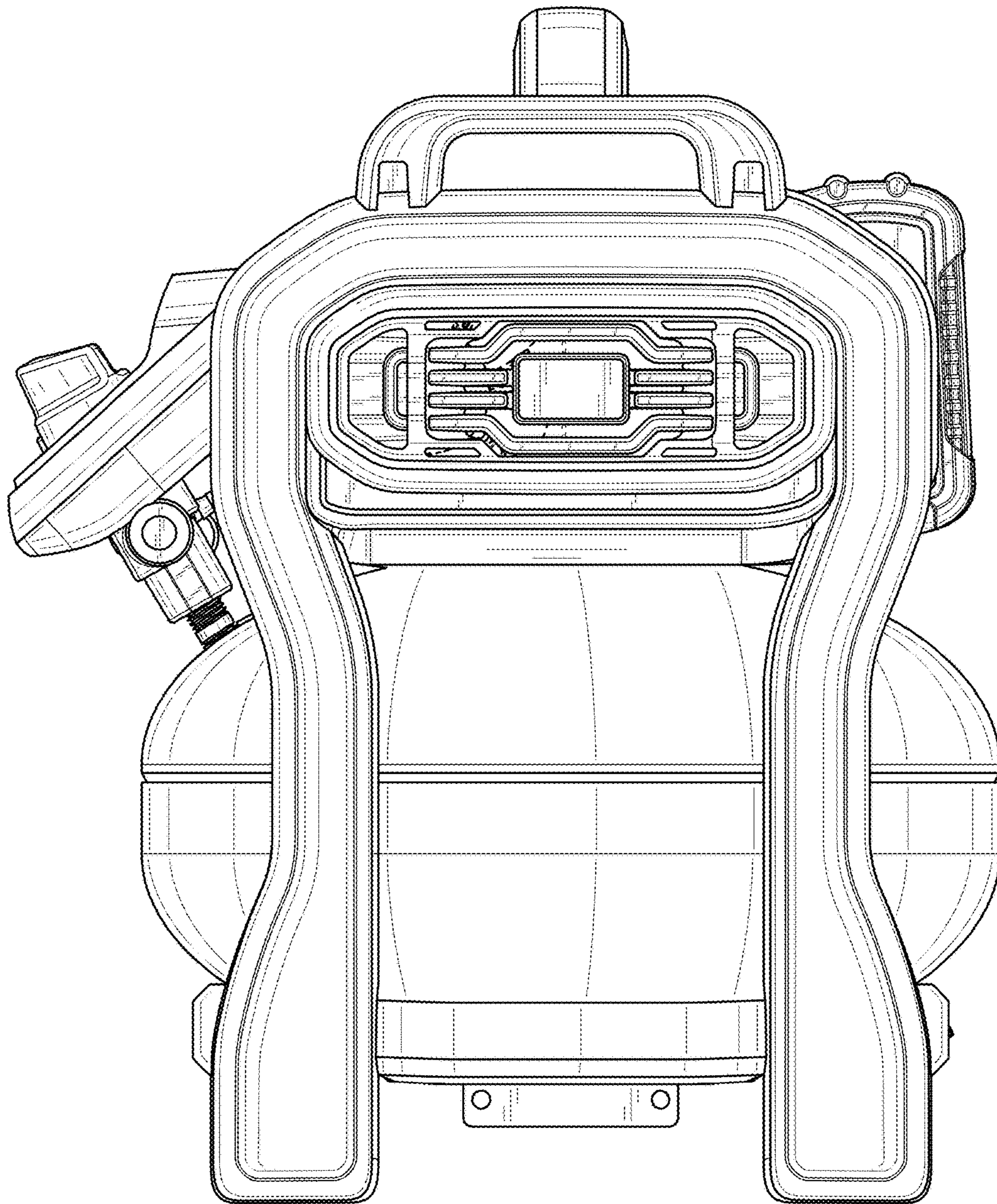


FIG. 5

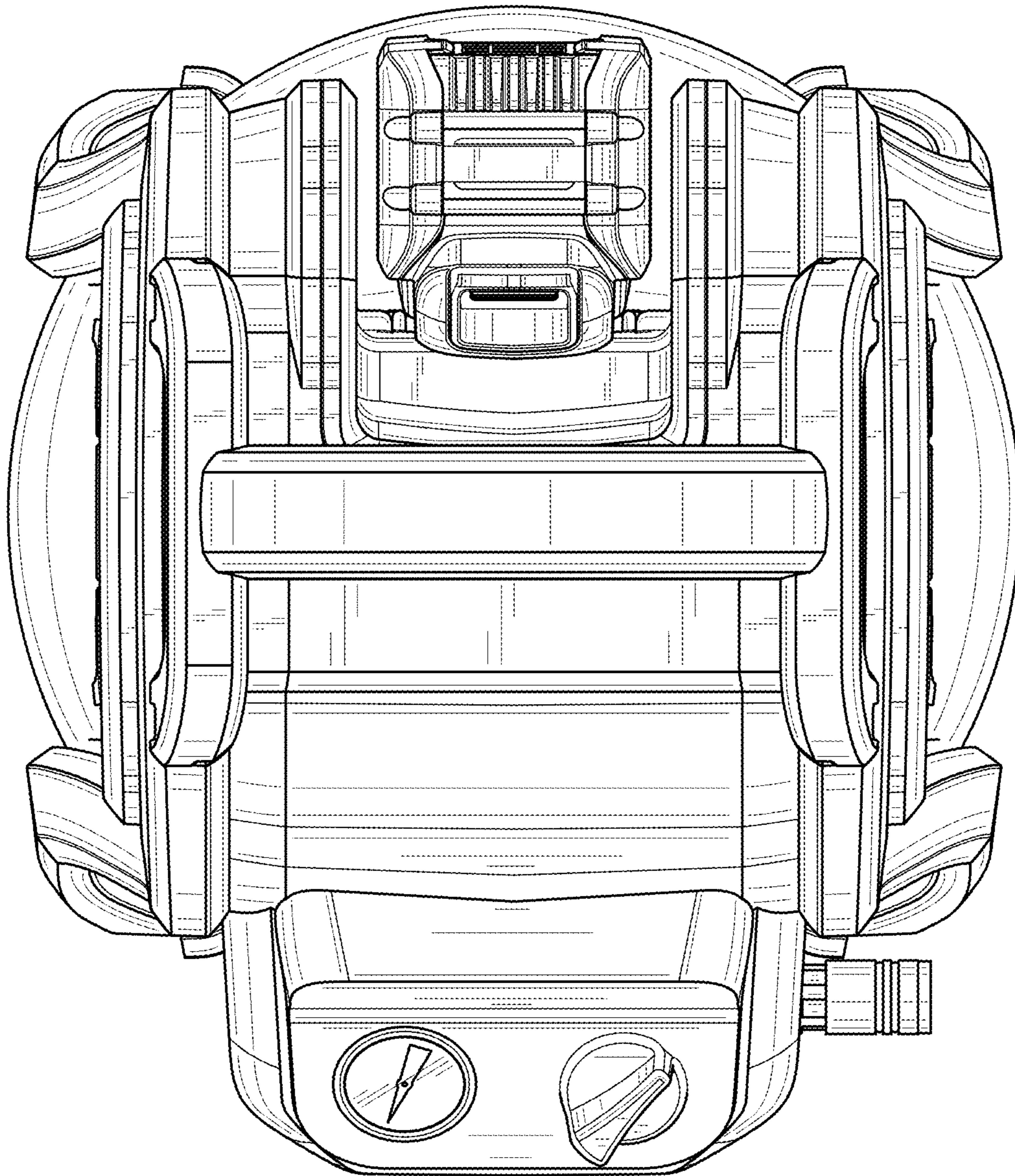


FIG. 6

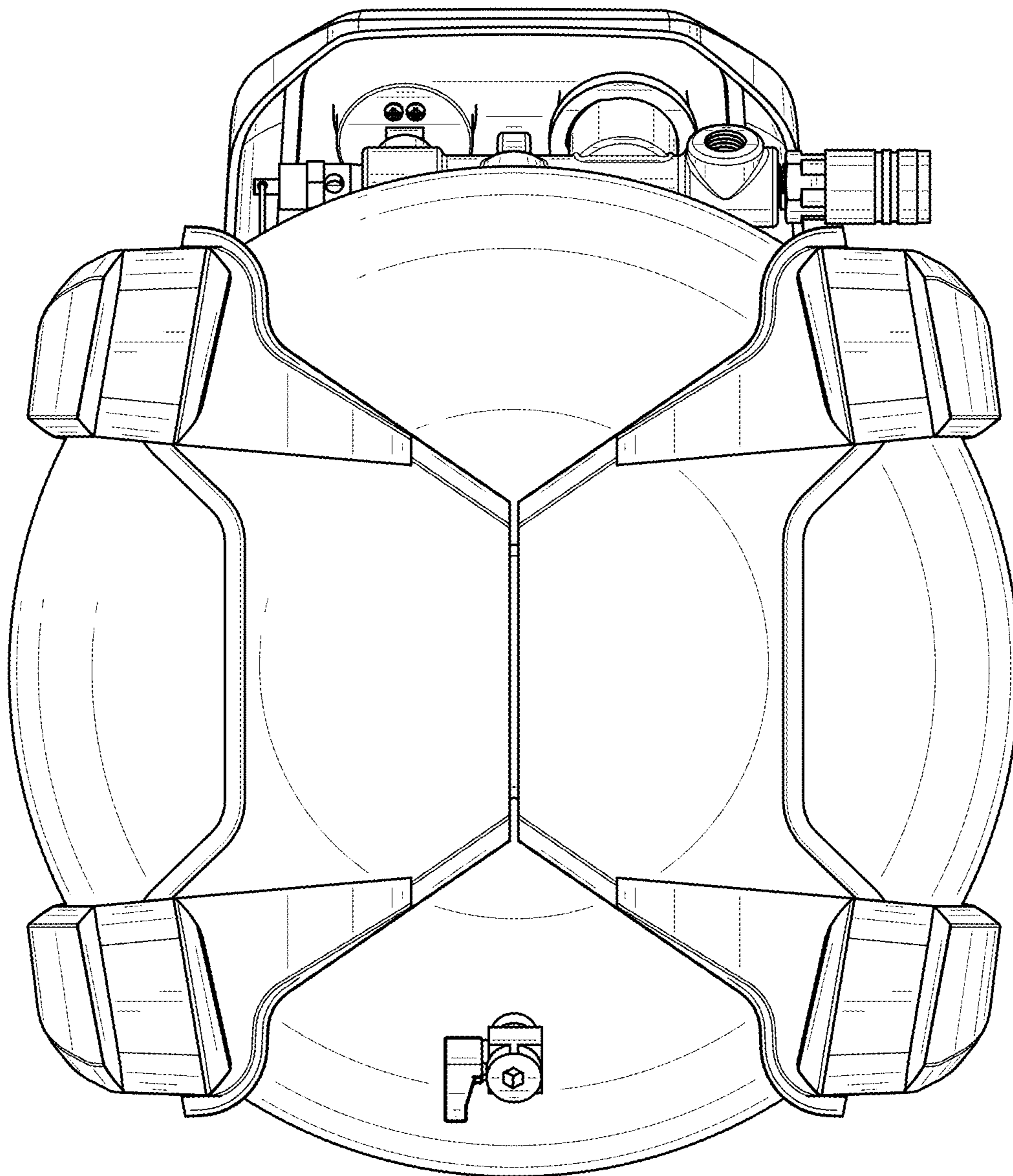


FIG. 7