

US00D792469S

(12) **United States Design Patent**  
**Duvvuri et al.**

(10) **Patent No.:** **US D792,469 S**  
(45) **Date of Patent:** **\*\* Jul. 18, 2017**

- (54) **COMBUSTION BOWL**
- (71) Applicant: **Cummins Inc.**, Columbus, IN (US)
- (72) Inventors: **Pavan Prakash Duvvuri**, Kakinada (IN); **Nilesh Deshpande**, Pune (IN); **Boopathi Singalandapuram Mahadevan**, Columbus, IN (US); **Parul Jain**, Pune (IN)
- (73) Assignee: **Cummins Inc.**, Columbus, IN (US)
- (\*\*) Term: **14 Years**
- (21) Appl. No.: **29/521,951**
- (22) Filed: **Mar. 26, 2015**
- (51) **LOC (10) Cl.** ..... **15-01**
- (52) **U.S. Cl.**  
USPC ..... **D15/5**
- (58) **Field of Classification Search**  
USPC ..... D15/1-5, 7; 123/193.6, 47 A, 47 R, 123/41.35, 661, 659  
CPC .... F02F 3/00; F02F 2003/0007; F02F 3/0015; F02F 3/0069; F02F 3/0084; F02F 3/0092; F02F 3/027; F02F 5/00; F02F 3/28; F02F 3/22; F02F 3/003; Y02T 10/125; B23P 15/10  
See application file for complete search history.

- (56) **References Cited**  
U.S. PATENT DOCUMENTS  
5,063,831 A \* 11/1991 Byard ..... F16J 1/16 403/150  
5,724,933 A \* 3/1998 Silvonon ..... F02F 3/0023 123/193.6  
5,839,352 A \* 11/1998 Ribeiro ..... F02F 3/26 123/193.6  
6,182,630 B1 \* 2/2001 Zhu ..... F02B 23/0696 123/193.6

- 6,401,680 B1 \* 6/2002 Zhu ..... F02B 23/0696 123/193.6
- 7,762,227 B2 \* 7/2010 Sadowski ..... F02F 3/22 123/193.6
- 8,973,484 B2 \* 3/2015 Scharp ..... F02F 3/003 92/186
- D742,921 S \* 11/2015 Nakao ..... D15/5
- 2003/0075042 A1 \* 4/2003 Gaiser ..... F02F 3/00 92/231
- 2004/0194308 A1 \* 10/2004 Bing ..... B21K 1/18 29/888.044
- 2009/0205604 A1 \* 8/2009 Sadowski ..... F02F 3/22 123/193.6
- 2010/0224143 A1 \* 9/2010 Rabhi ..... F01B 9/047 123/41.39
- 2010/0263620 A1 \* 10/2010 Sadowski ..... F02F 3/22 123/193.6
- 2011/0107997 A1 \* 5/2011 Muscas ..... F02F 3/003 123/193.6
- 2011/0197845 A1 \* 8/2011 Flowers ..... F02F 3/003 123/193.6

(Continued)

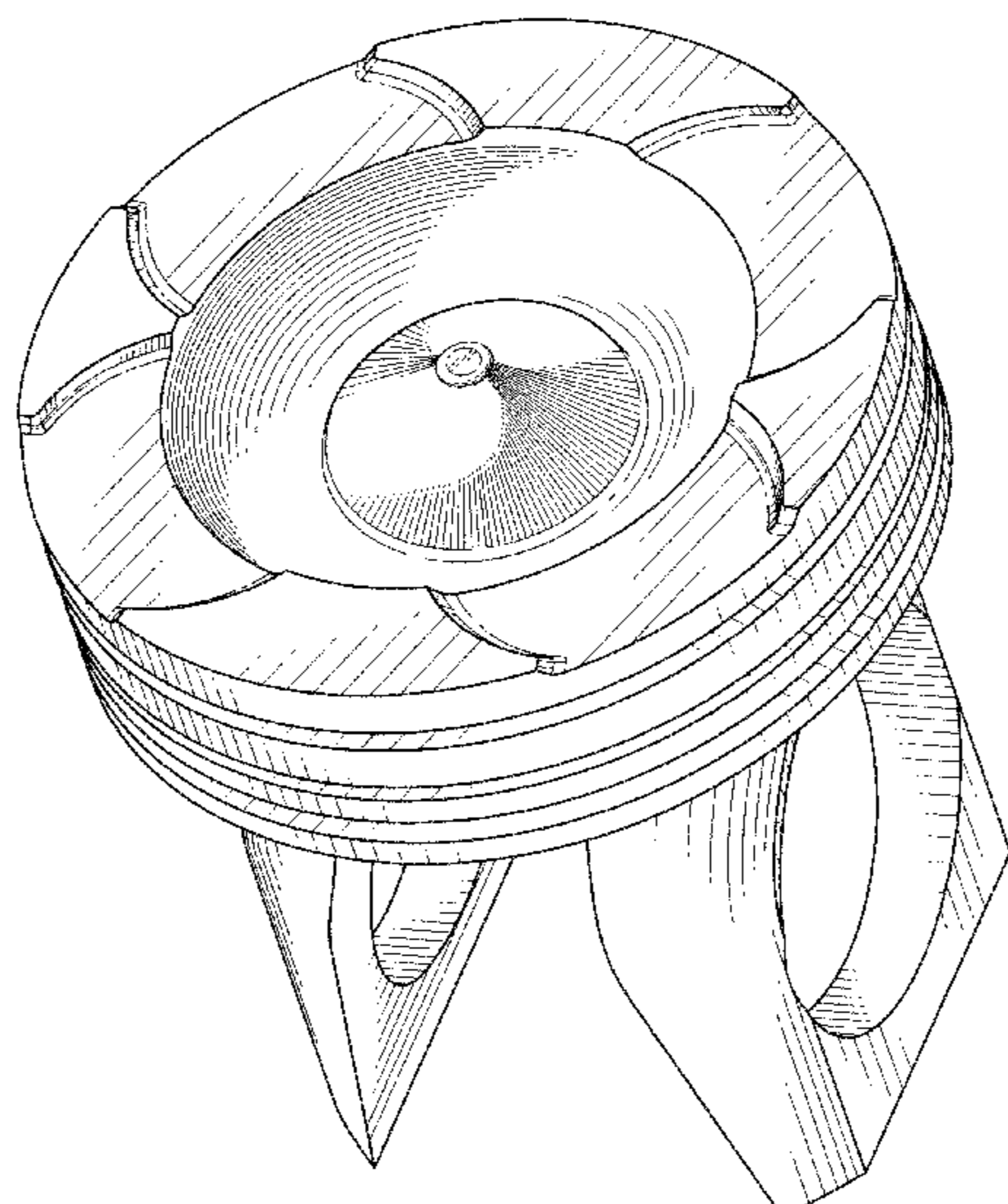
*Primary Examiner* — T. Chase Nelson  
*Assistant Examiner* — Ania Aman  
(74) *Attorney, Agent, or Firm* — Foley & Lardner LLP

(57) **CLAIM**  
We claim the ornamental design for a combustion bowl, as shown and described.

**DESCRIPTION**

FIG. 1 is a top, front, right perspective view of a combustion bowl showing our claimed design; FIG. 2 is a front elevation view thereof, the rear elevation view thereof being a mirror image; FIG. 3 is a left side elevation view thereof, the right side elevation view thereof being a mirror image; FIG. 4 is a top plan view thereof; and, FIG. 5 is a bottom plan view thereof. The broken lines in the drawings illustrate portions of the combustion bowl that form no part of the claimed design.

**1 Claim, 5 Drawing Sheets**



(56)

**References Cited**

U.S. PATENT DOCUMENTS

2013/0000483 A1\* 1/2013 Scharp ..... F02F 3/22  
92/176  
2013/0276740 A1\* 10/2013 Wandrie, III ..... F02F 3/22  
123/193.6  
2014/0000453 A1\* 1/2014 Wilder ..... B23K 20/12  
92/208  
2014/0020648 A1\* 1/2014 Azevedo ..... F16J 9/062  
123/193.6  
2014/0026840 A1\* 1/2014 Okada ..... F02F 3/24  
123/193.6  
2014/0076263 A1\* 3/2014 Sato ..... C25D 11/005  
123/193.6  
2014/0238333 A1\* 8/2014 Hirsch ..... F02F 3/00  
123/193.6  
2014/0345454 A1\* 11/2014 Wilder ..... F02F 3/22  
92/186  
2015/0107559 A1\* 4/2015 Bowing ..... F02B 23/0639  
123/47 R  
2015/0275820 A1\* 10/2015 Mackey ..... F02F 3/003  
123/445  
2016/0025034 A1\* 1/2016 Lormes ..... F02F 3/003  
123/193.6  
2016/0138461 A1\* 5/2016 Ono ..... F02B 23/0693  
123/294

\* cited by examiner

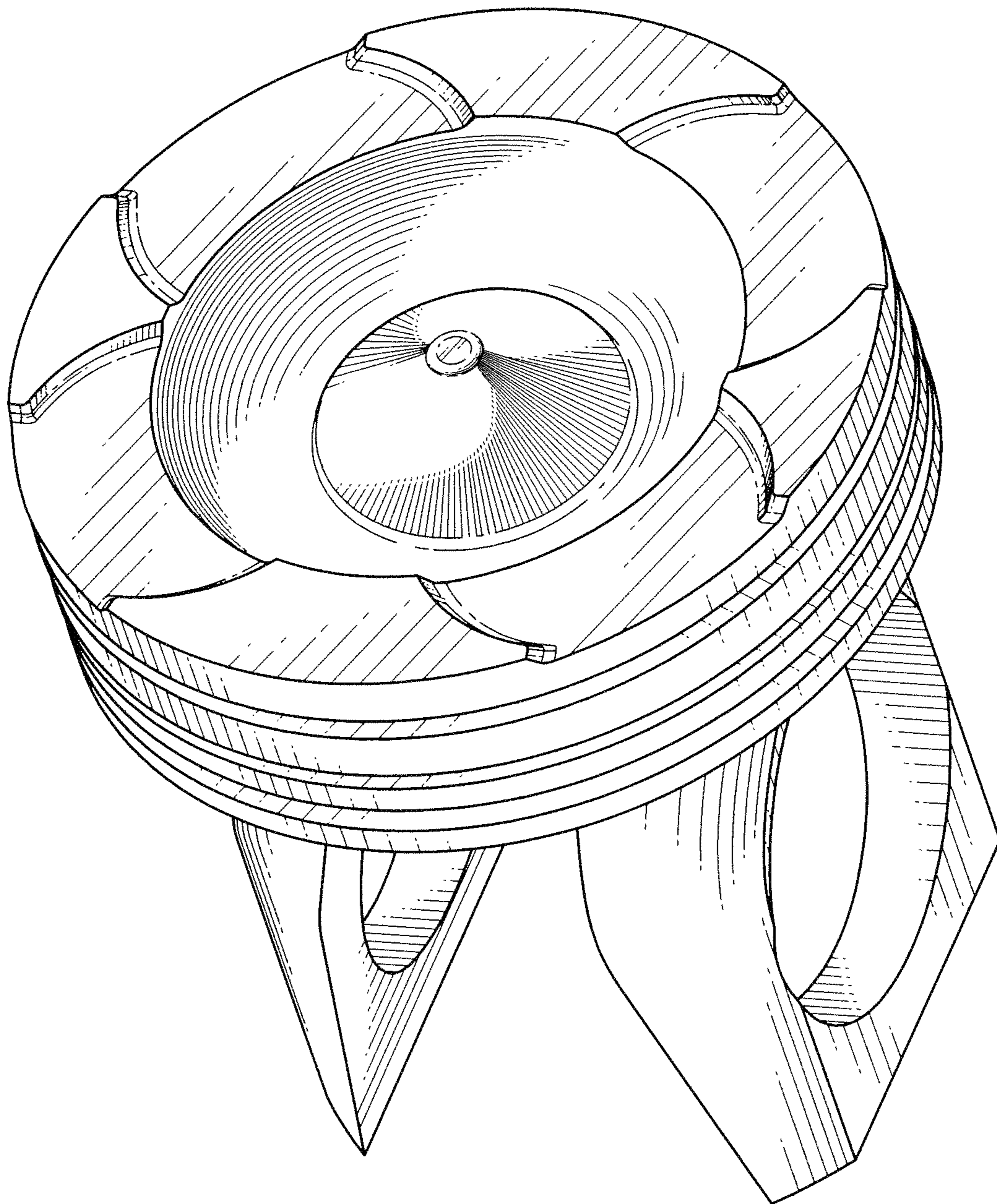


FIG. 1

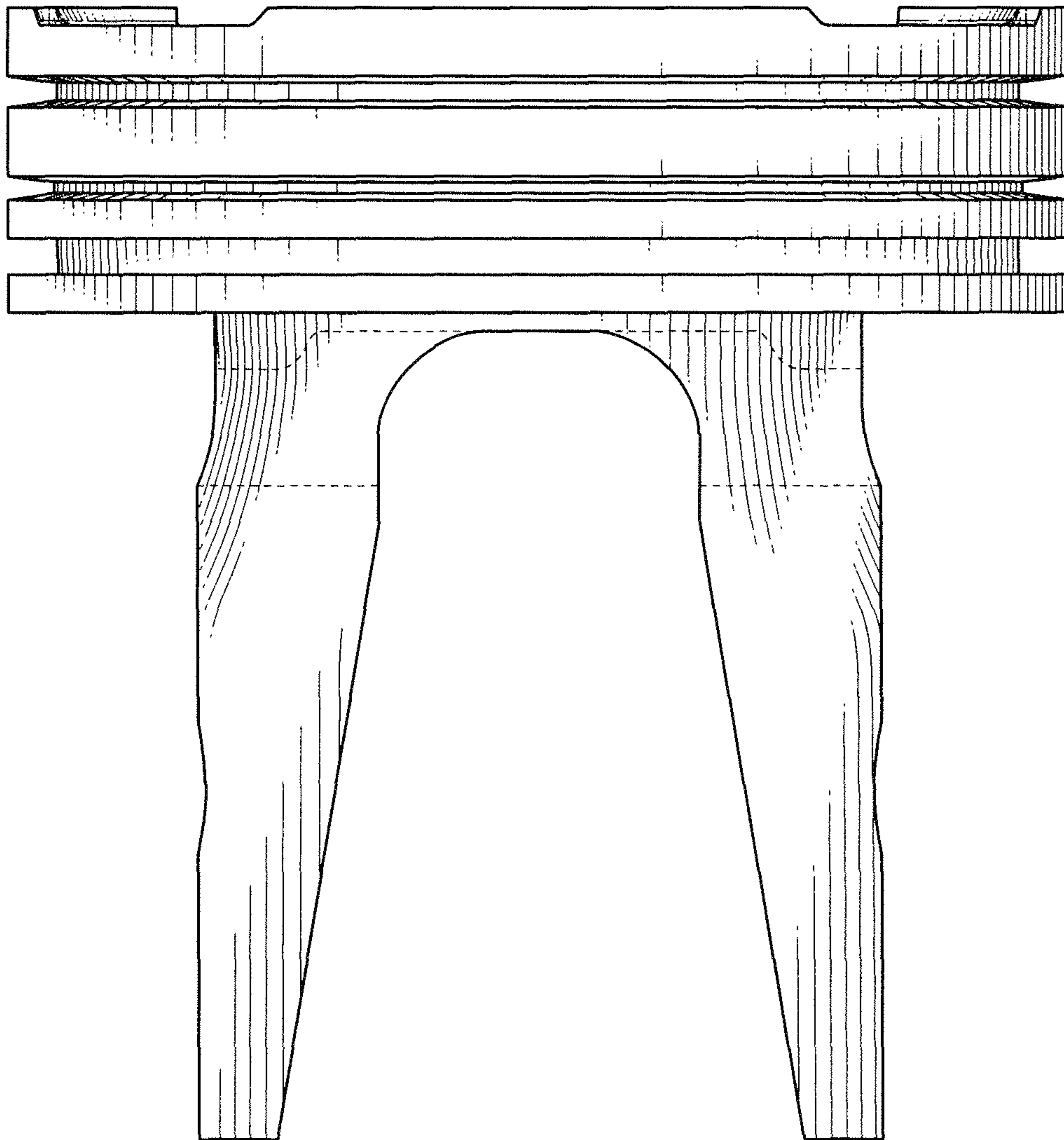


FIG. 2

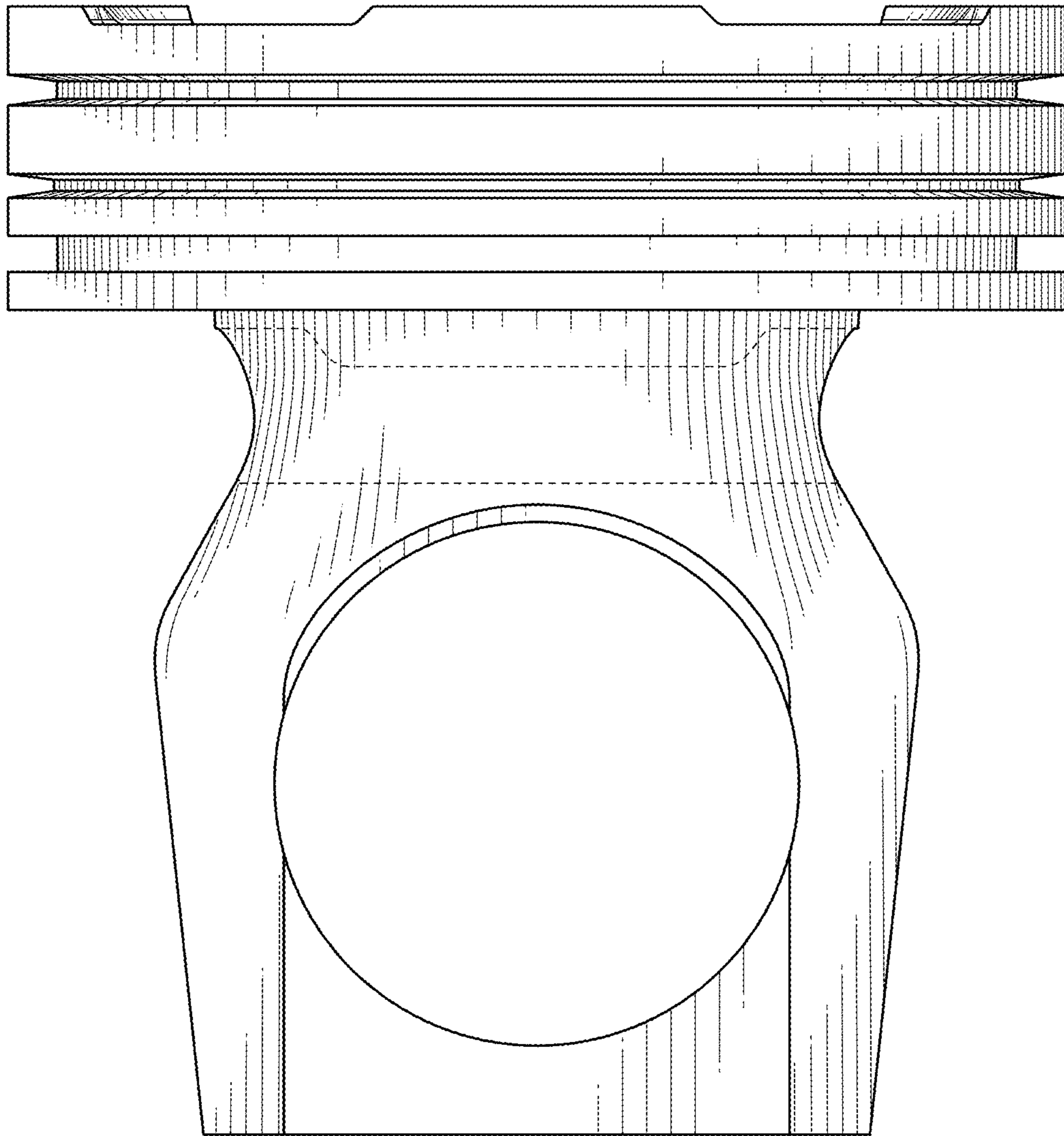


FIG. 3

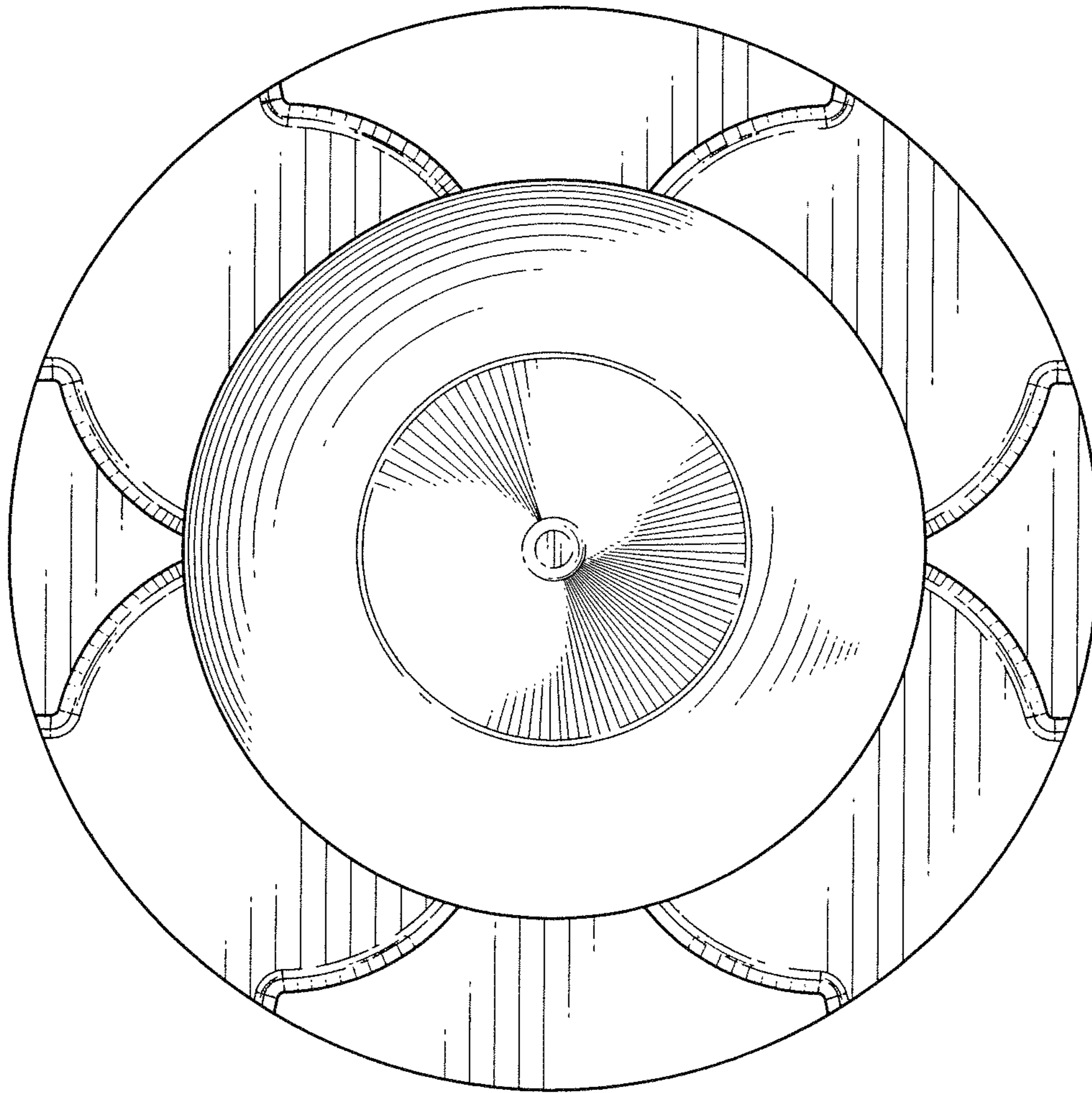


FIG. 4

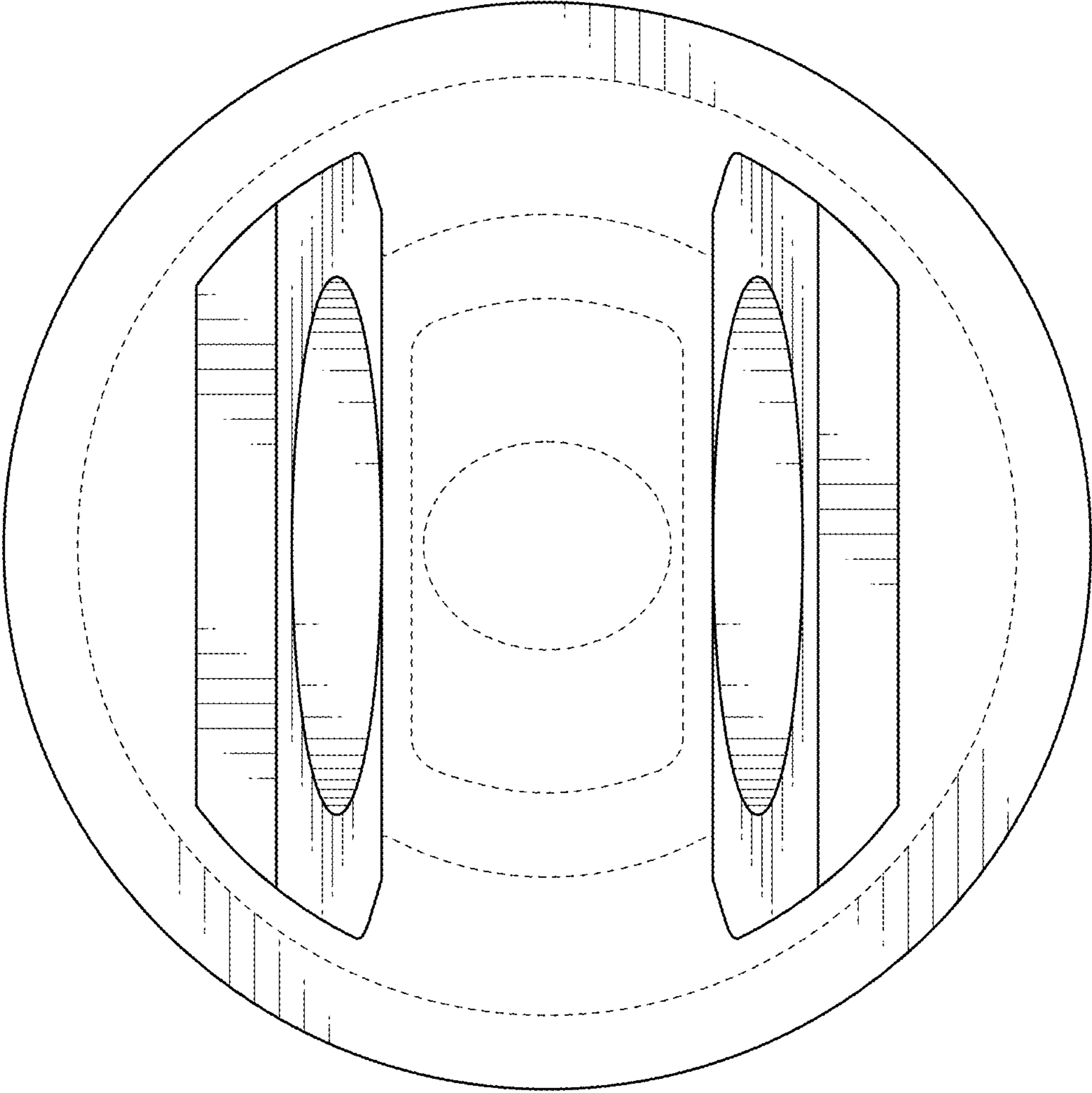


FIG. 5