



US00D792468S

(12) **United States Design Patent** (10) **Patent No.:** **US D792,468 S**
Langhammer et al. (45) **Date of Patent:** **** Jul. 18, 2017**

(54) **ELECTRONIC DEVICE**

(74) *Attorney, Agent, or Firm* — Lee & Hayes, PLLC

(71) Applicant: **Amazon Technologies, Inc.**, Seattle, WA (US)

(57) **CLAIM**

The ornamental design for an electronic device, as shown and described.

(72) Inventors: **Heinz-Dominik Langhammer**, San Francisco, CA (US); **Giles David Matthew McWilliam**, San Francisco, CA (US); **Marc Rene Walliser**, San Francisco, CA (US)

DESCRIPTION

(73) Assignee: **Amazon Technologies, Inc.**, Seattle, WA (US)

FIG. 1 is a first perspective view of a first embodiment of an electronic device, taken from above;
FIG. 2 is a second perspective view of the first embodiment of the electronic device, taken from the below;
FIG. 3 is a front view of the first embodiment of the electronic device as shown in FIG. 1;
FIG. 4 is a back view of the first embodiment of the electronic device as shown in FIG. 1;
FIG. 5 is a right-side view of the first embodiment of the electronic device as shown in FIG. 1;
FIG. 6 is a left-side view of the first embodiment of the electronic device as shown in FIG. 1;
FIG. 7 is a top view of the first embodiment of the electronic device as shown in FIG. 1;
FIG. 8 is a bottom view of the first embodiment of the electronic device as shown in FIG. 1;
FIG. 9 is a first perspective view of a second embodiment of an electronic device, taken from above;
FIG. 10 is a second perspective view of the second embodiment of the electronic device, taken from the below;
FIG. 11 is a front view of the second embodiment of the electronic device as shown in FIG. 9;
FIG. 12 is a back view of the second embodiment of the electronic device as shown in FIG. 9;
FIG. 13 is a right-side view of the second embodiment of the electronic device as shown in FIG. 9;
FIG. 14 is a left-side view of the second embodiment of the electronic device as shown in FIG. 9;
FIG. 15 is a top view of the second embodiment of the electronic device as shown in FIG. 9; and,
FIG. 16 is a bottom view of the second embodiment of the electronic device as shown in FIG. 9.
The broken lines represent features of the electronic device which form no part of the claimed design.

(**) Term: **15 Years**

(21) Appl. No.: **29/568,676**

(22) Filed: **Jun. 20, 2016**

(51) **LOC (10) Cl.** **14-03**

(52) **U.S. Cl.**
USPC **D14/496; D14/203.3; D14/203.6**

(58) **Field of Classification Search**
USPC **D14/496, 401, 435, 474, 483, 217, 137, D14/138, 160, 168, 356, 203.1–203.8,**
(Continued)

(56) **References Cited**

U.S. PATENT DOCUMENTS

D527,017 S * 8/2006 Kim D14/203.6
7,277,272 B2 * 10/2007 Hsiung G11B 17/051
361/679.01

(Continued)

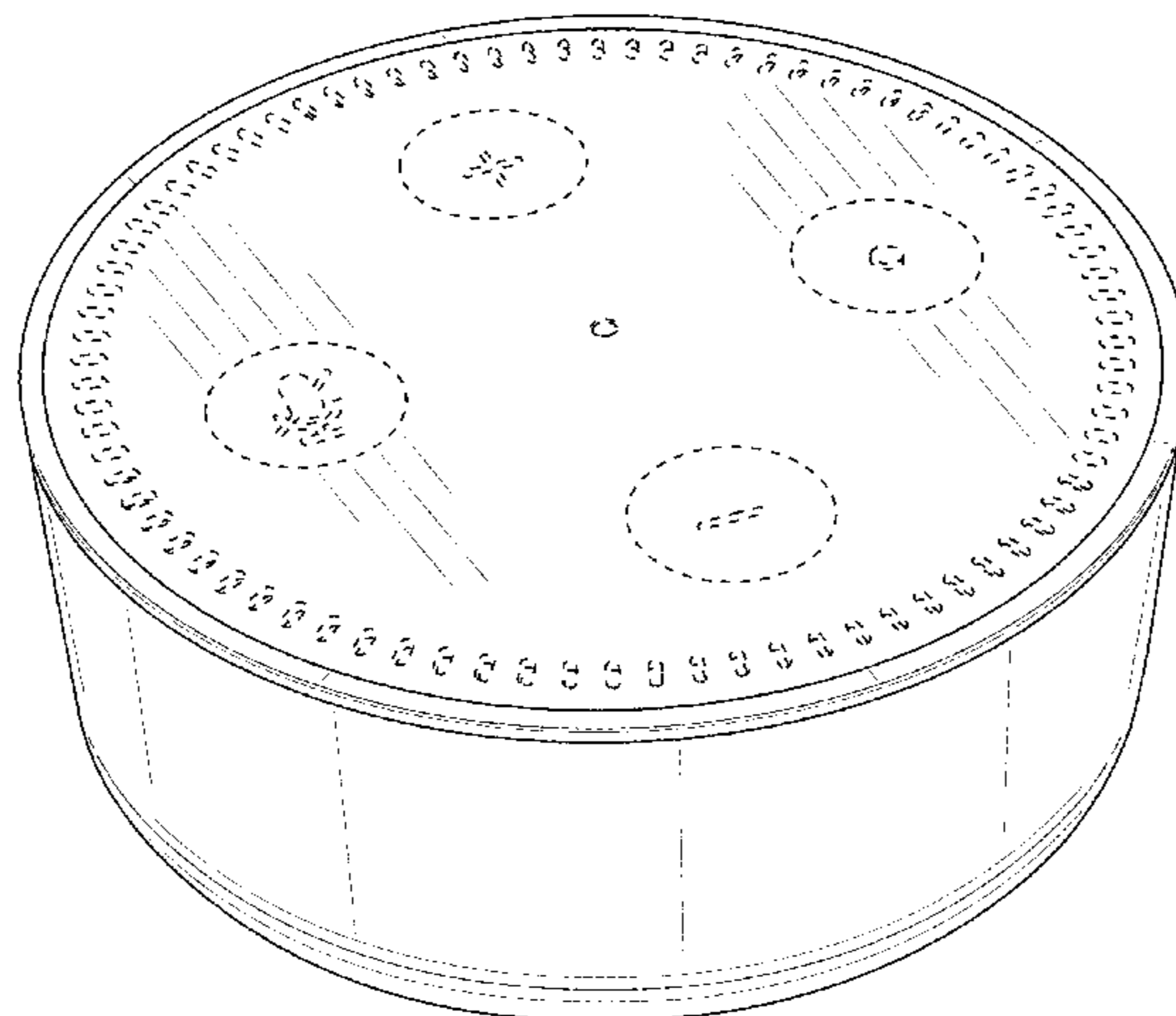
OTHER PUBLICATIONS

The Indian Office Action mailed Feb. 7, 2017 for Indian patent application No. 289432, a counterpart foreign application of design U.S. Appl. No. 29/568,676, 2 pages.

(Continued)

Primary Examiner — Prabhakar G Deshmukh

1 Claim, 16 Drawing Sheets



(58) **Field of Classification Search**

USPC D14/507; 345/156, 169, 173-179, 905;
715/727-729, 864; 710/1, 5, 8; 713/1,
713/600; 455/1.1, 1.7, 73, 344-347, 93,
455/95, 3.01-3.06, 550.1, 573.1;
370/342-344; 369/1, 2, 6-12;
463/43-47; 273/148 B
CPC .. A63F 13/00; A63F 11/00; A63F 2300/8047;
G06F 17/00

See application file for complete search history.

(56) **References Cited**

U.S. PATENT DOCUMENTS

D554,614 S * 11/2007 Lin D14/509
D609,718 S * 2/2010 Chang D14/203.3
8,090,418 B2 * 1/2012 Thiel H04B 1/385
455/575.2
D753,625 S * 4/2016 Young D14/203.5
D769,327 S * 10/2016 Morillo Garcia D14/203.6
D771,142 S * 11/2016 Langhammer D14/203.6
D775,233 S * 12/2016 Beck D14/203.6
D778,956 S * 2/2017 Langhammer D14/203.1

OTHER PUBLICATIONS

The Indian Office Action mailed Jan. 9, 2017 for Indian patent application No. 289433, a counterpart foreign application of design U.S. Appl. No. 29/568,676, 3 pages.

* cited by examiner

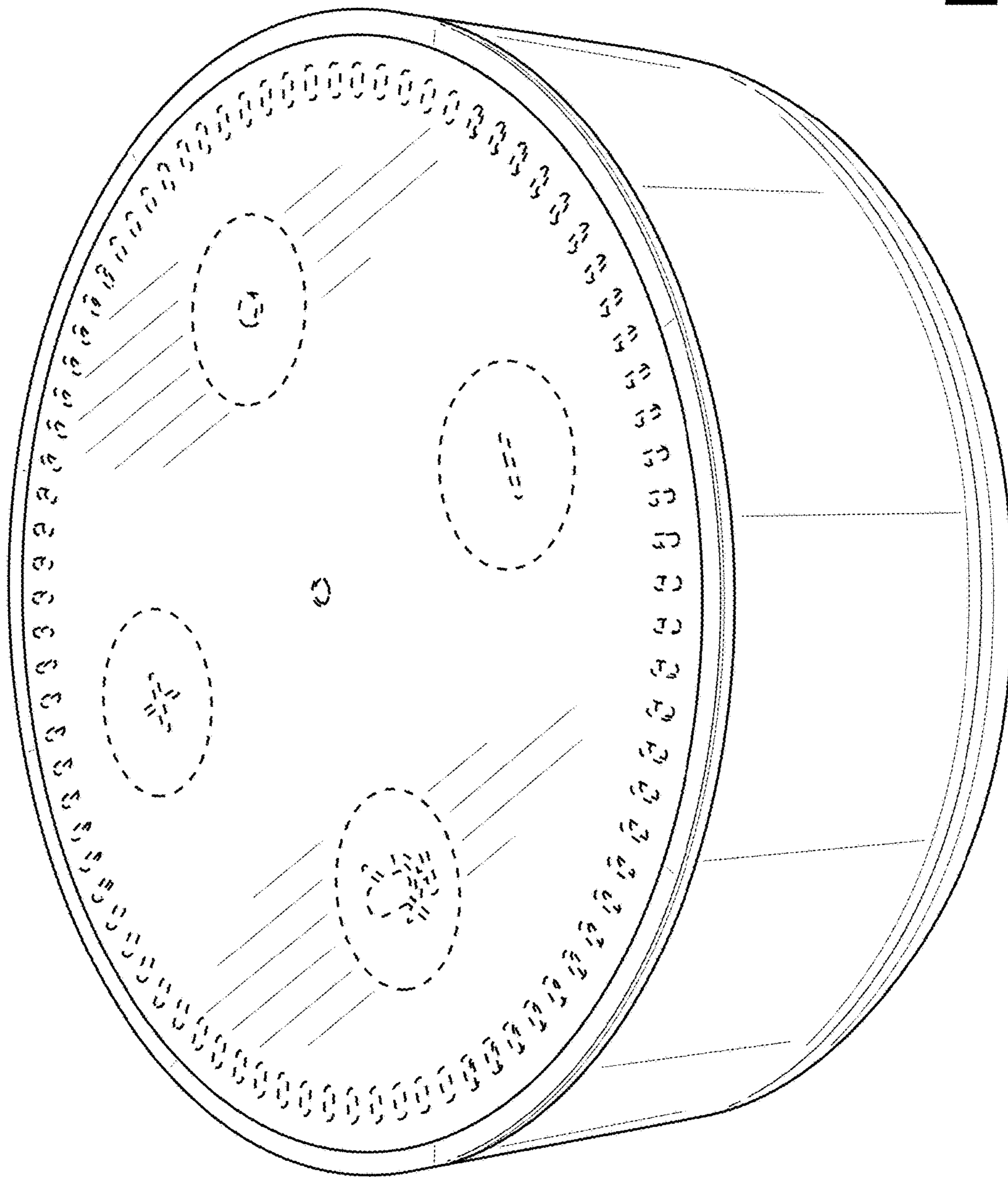


FIG. 1

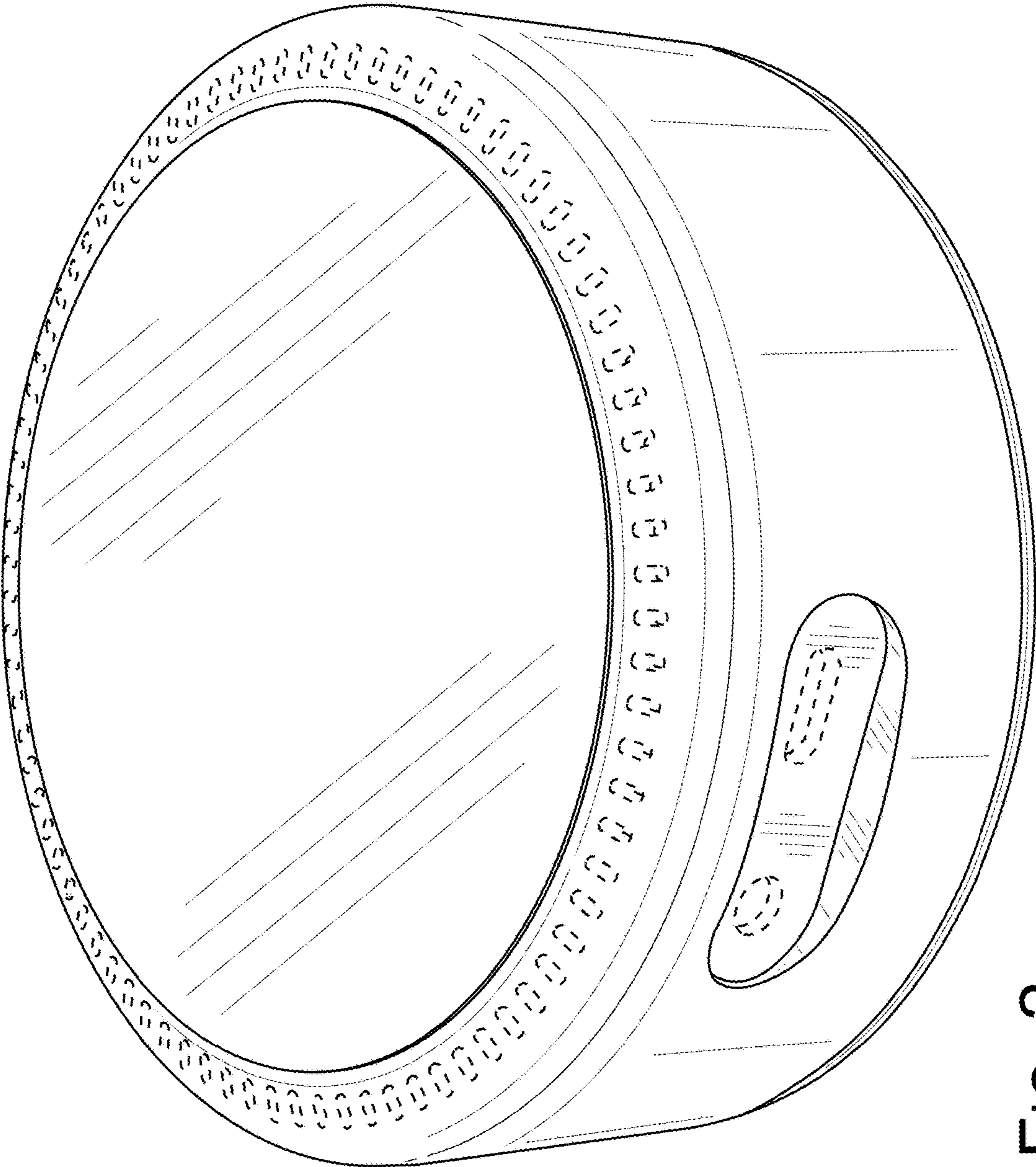


FIG. 2

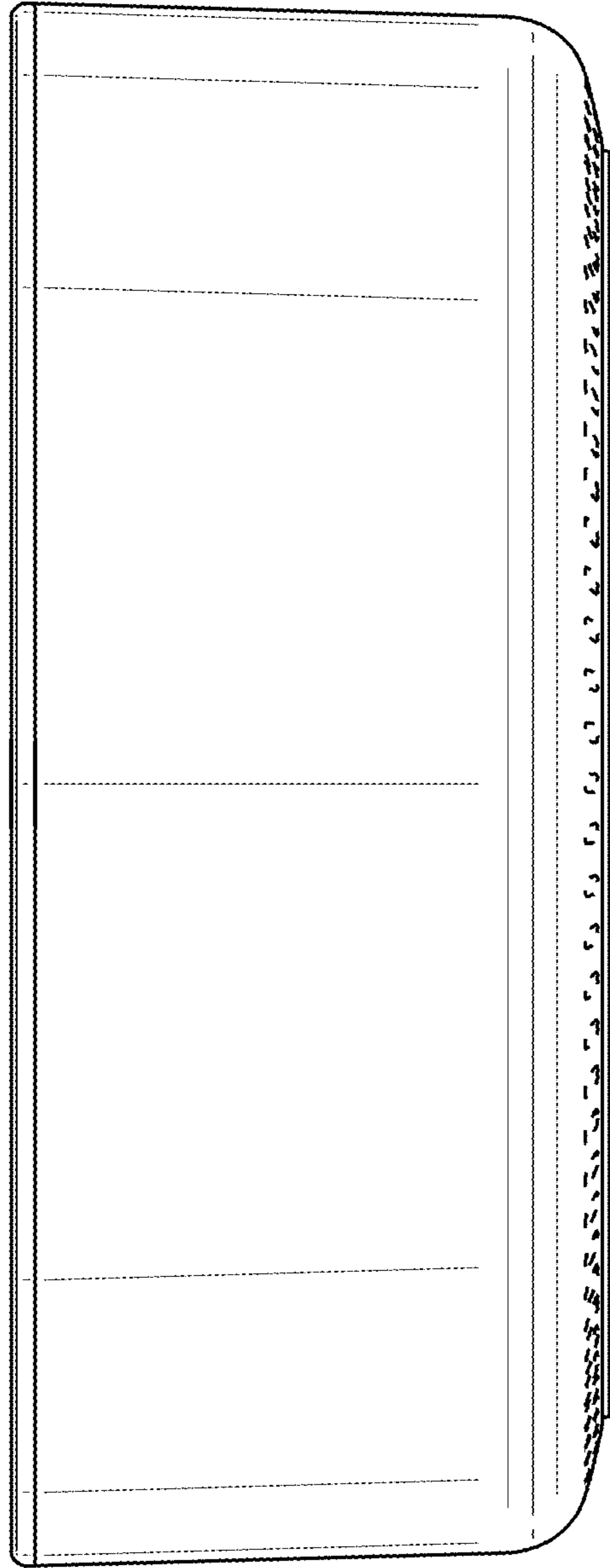


FIG. 3

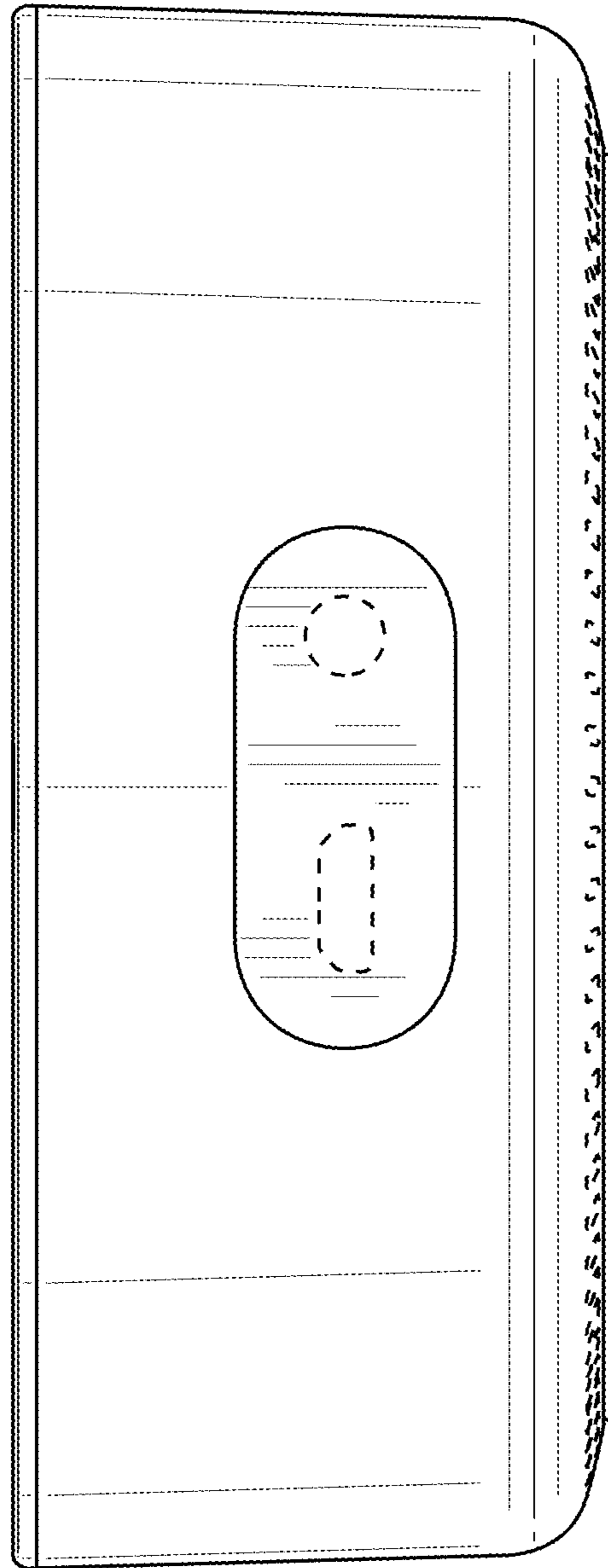


FIG. 4

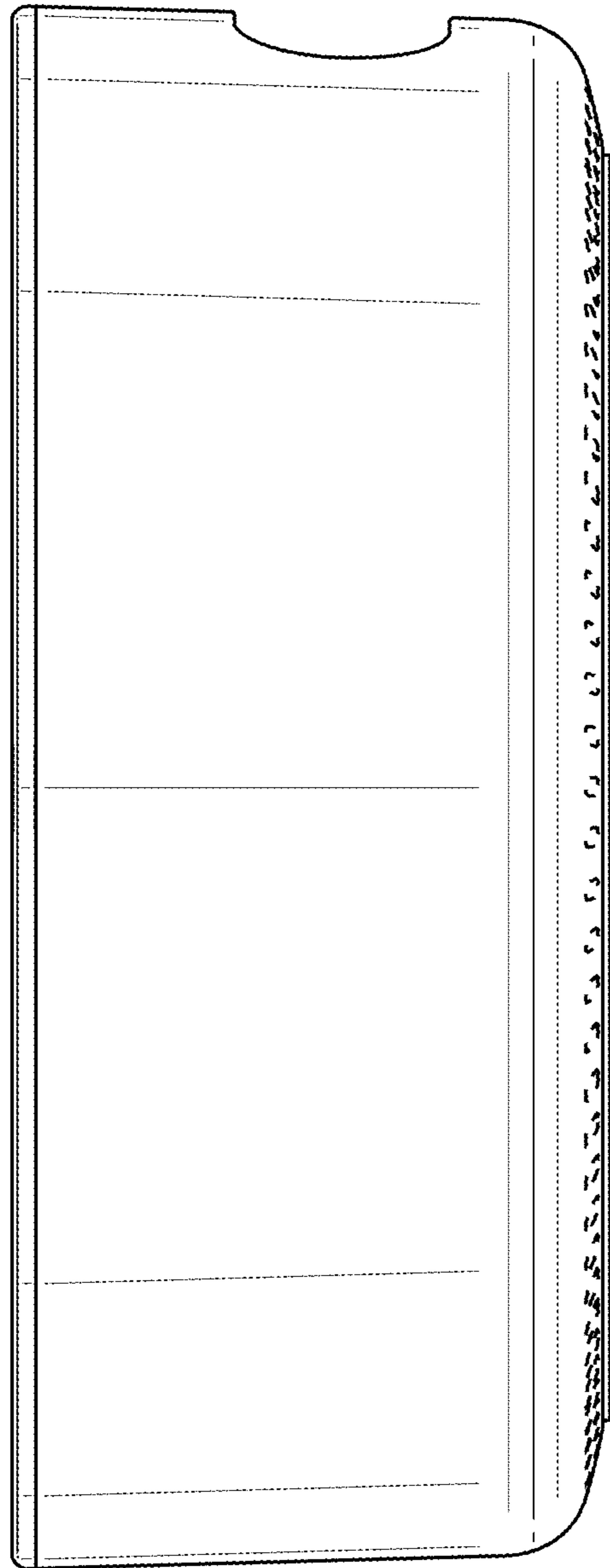


FIG. 5

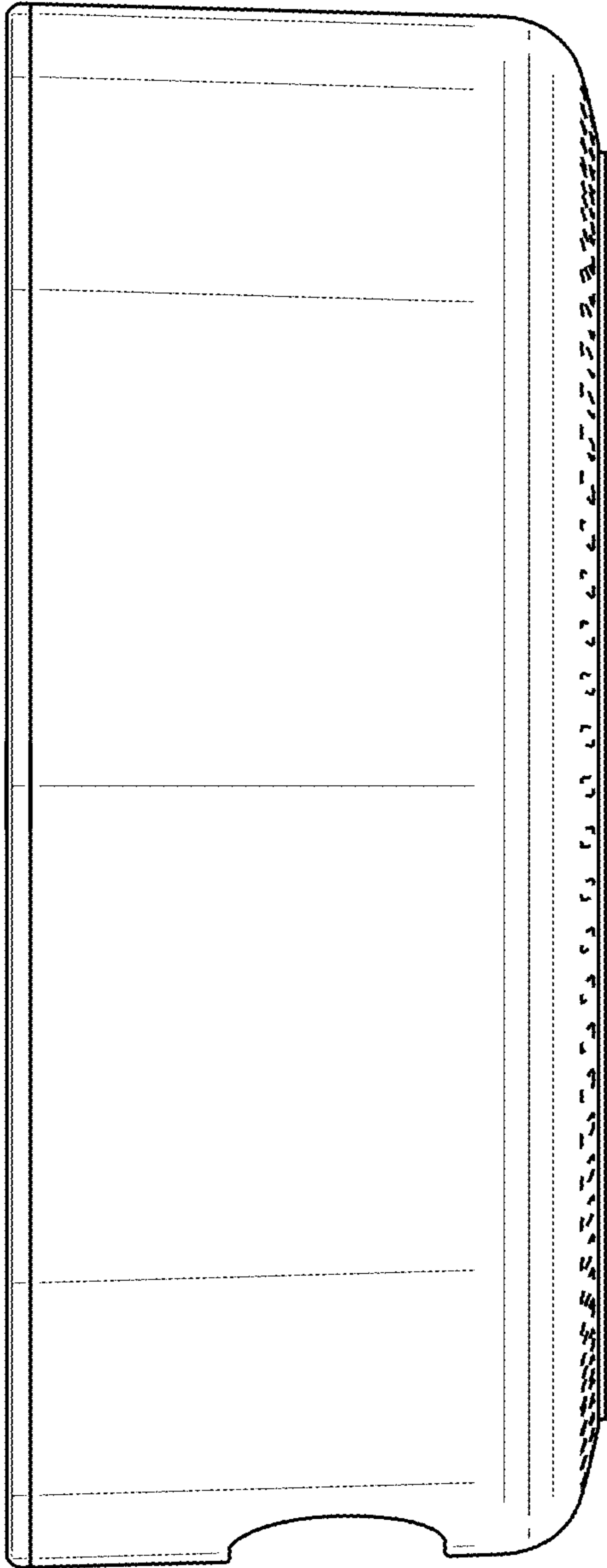


FIG. 6

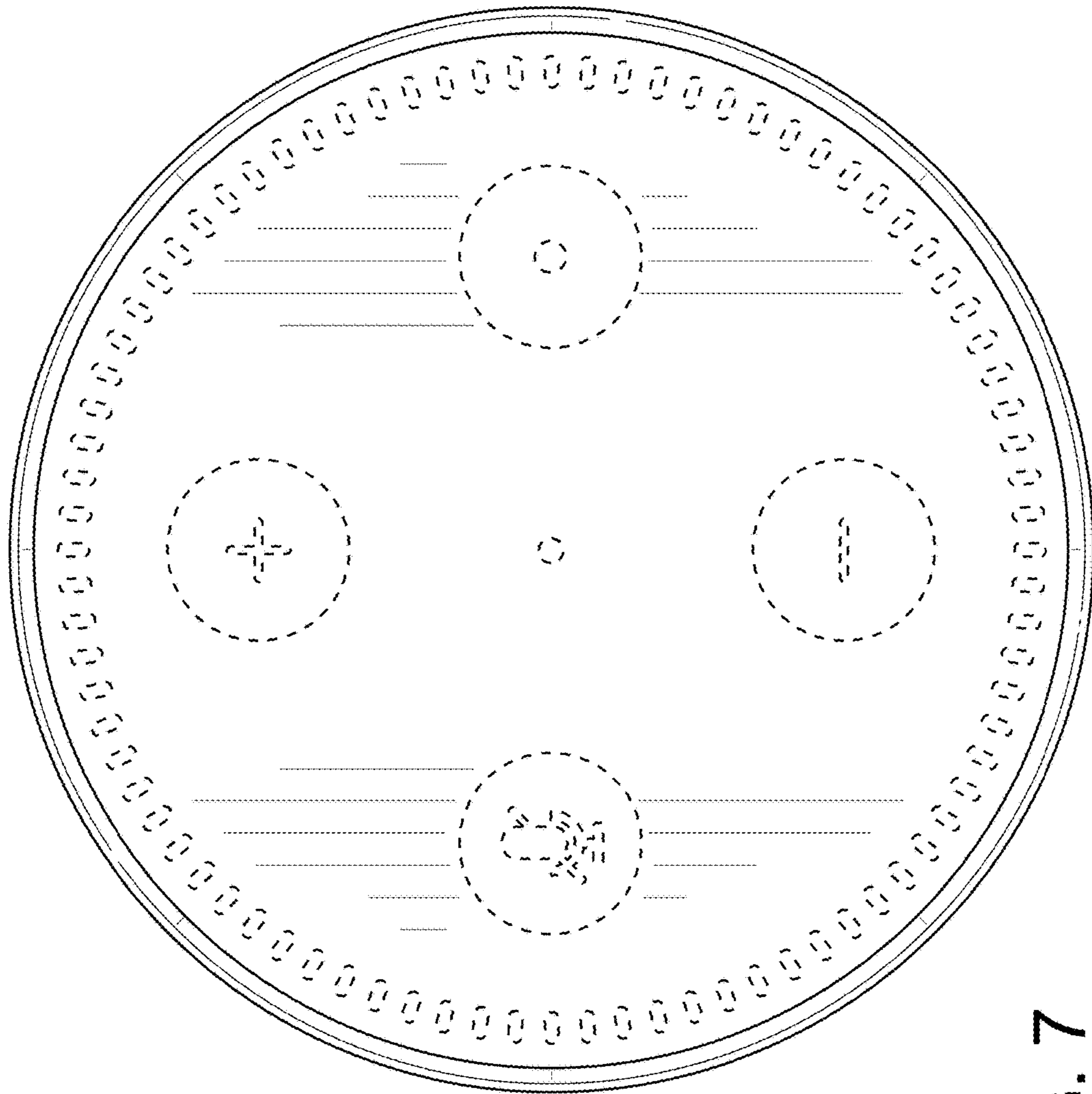


FIG. 7

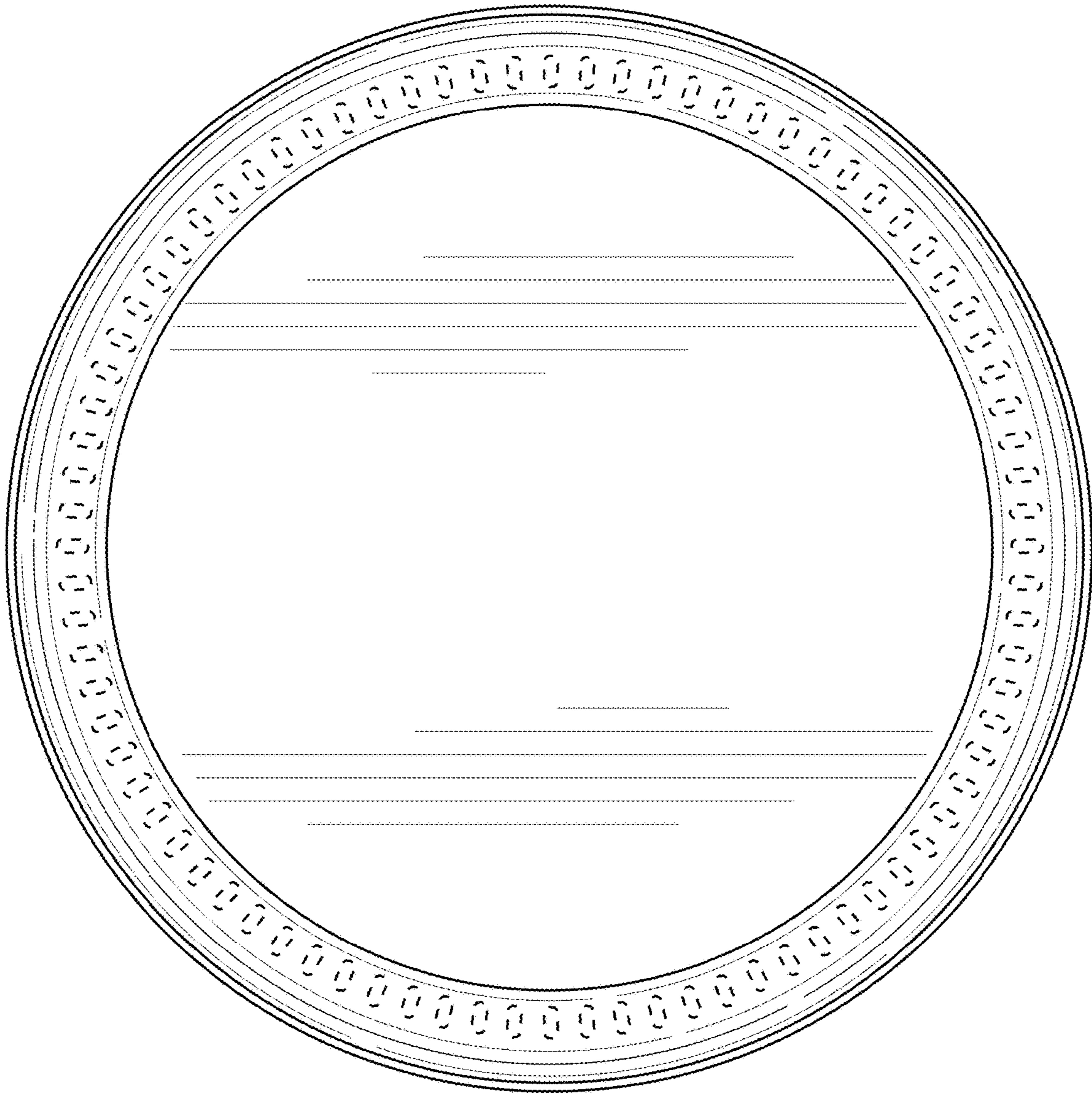


FIG. 8

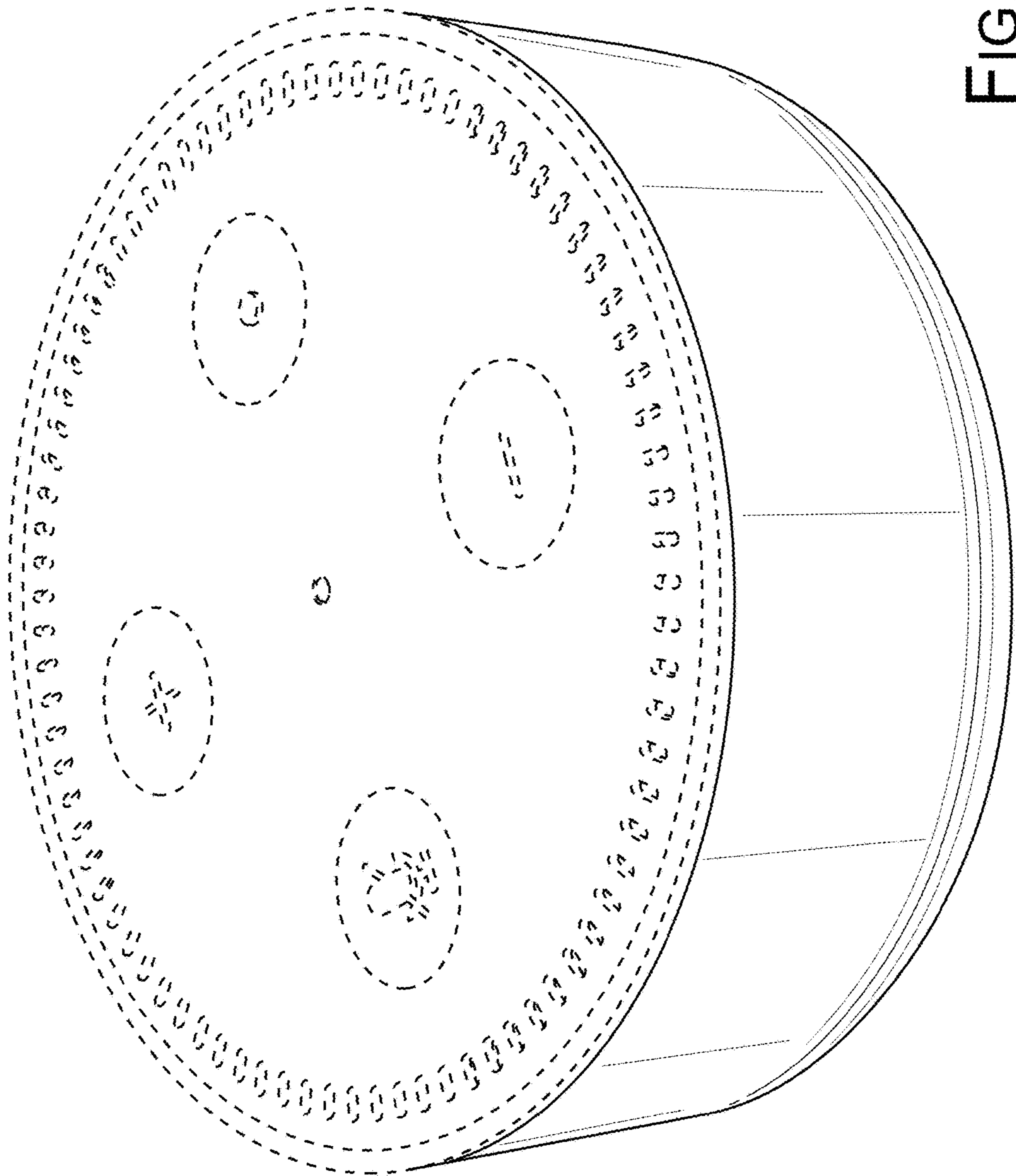


FIG. 9

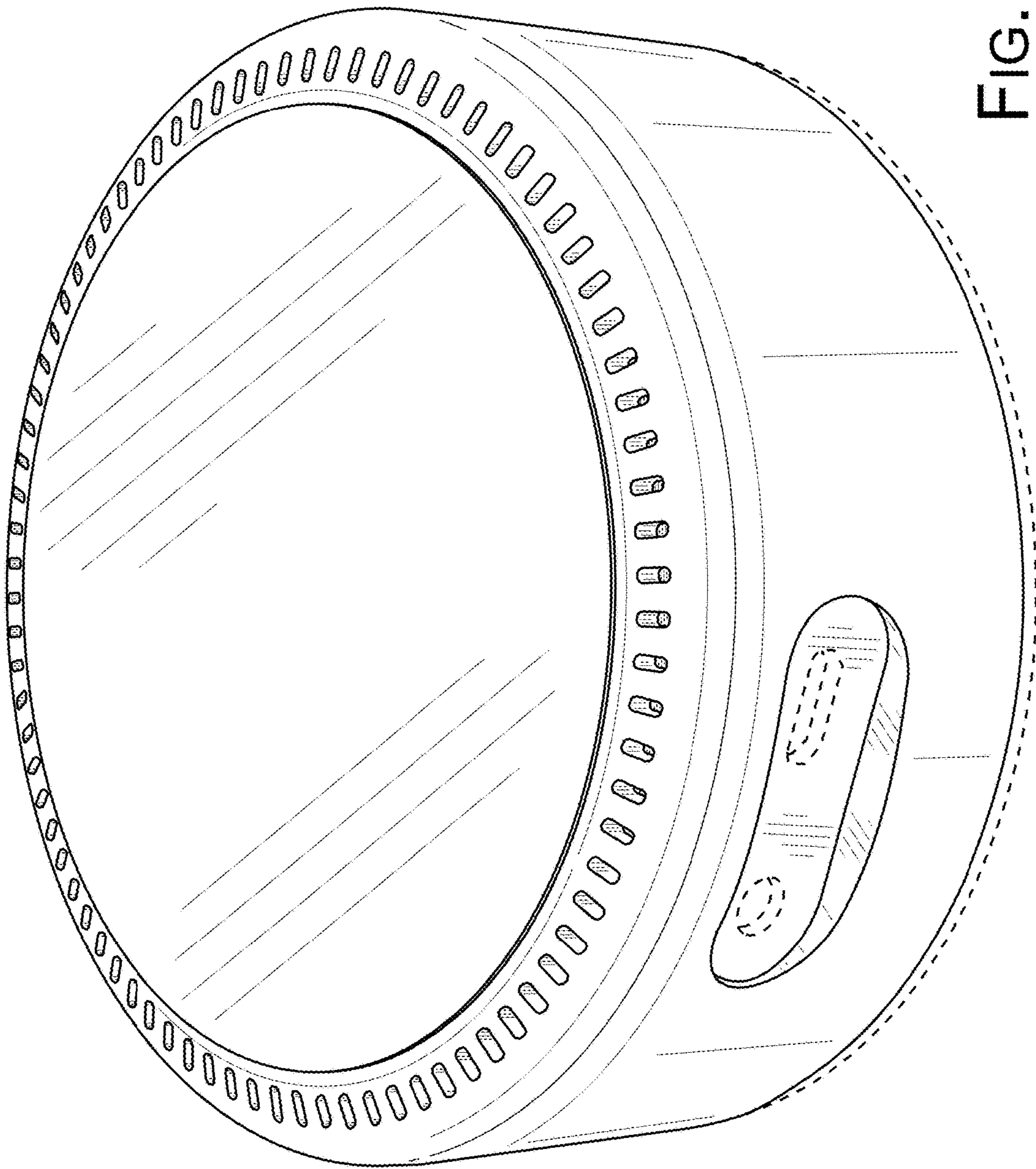


FIG. 10

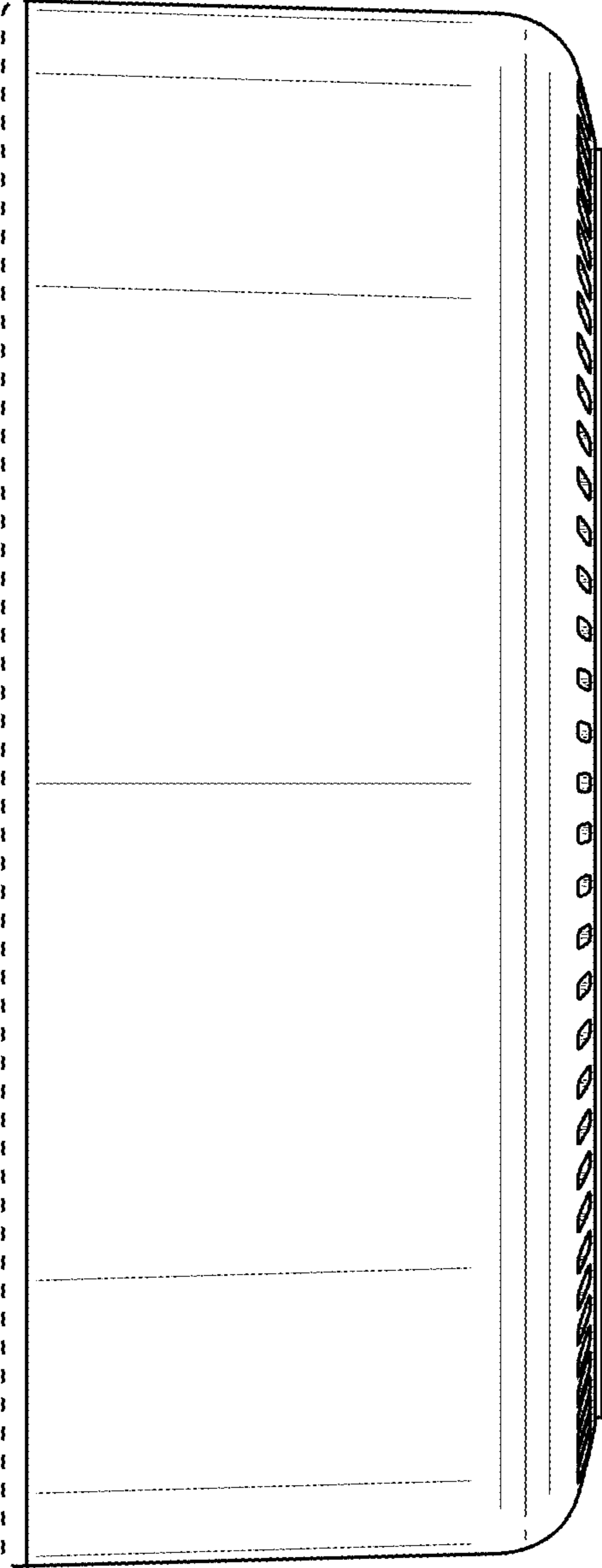


FIG. 11

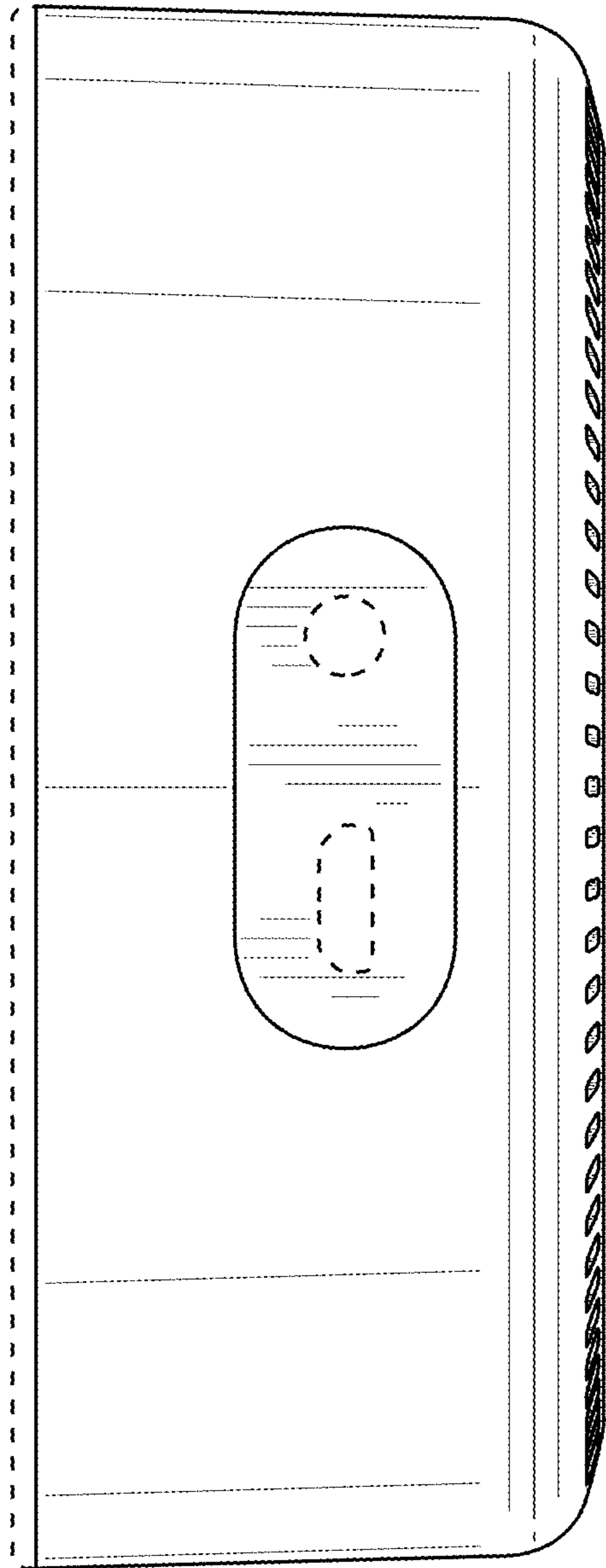


FIG. 12

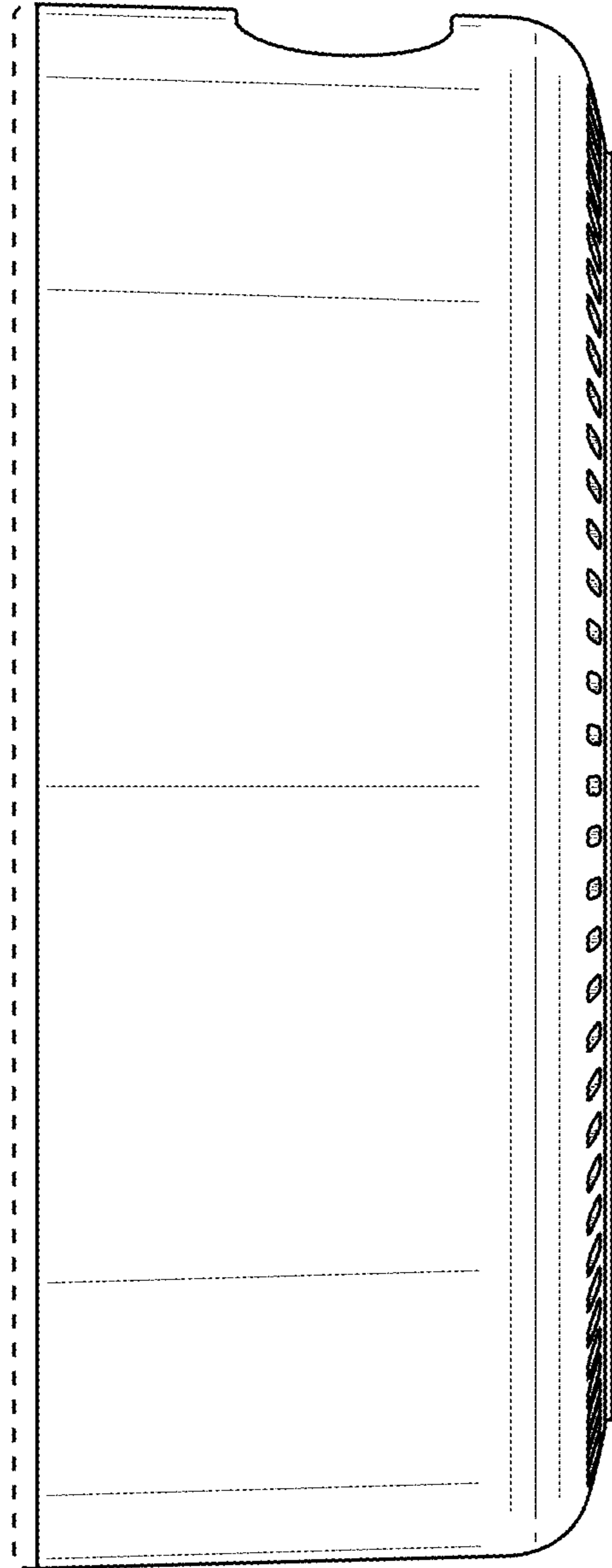


FIG. 13

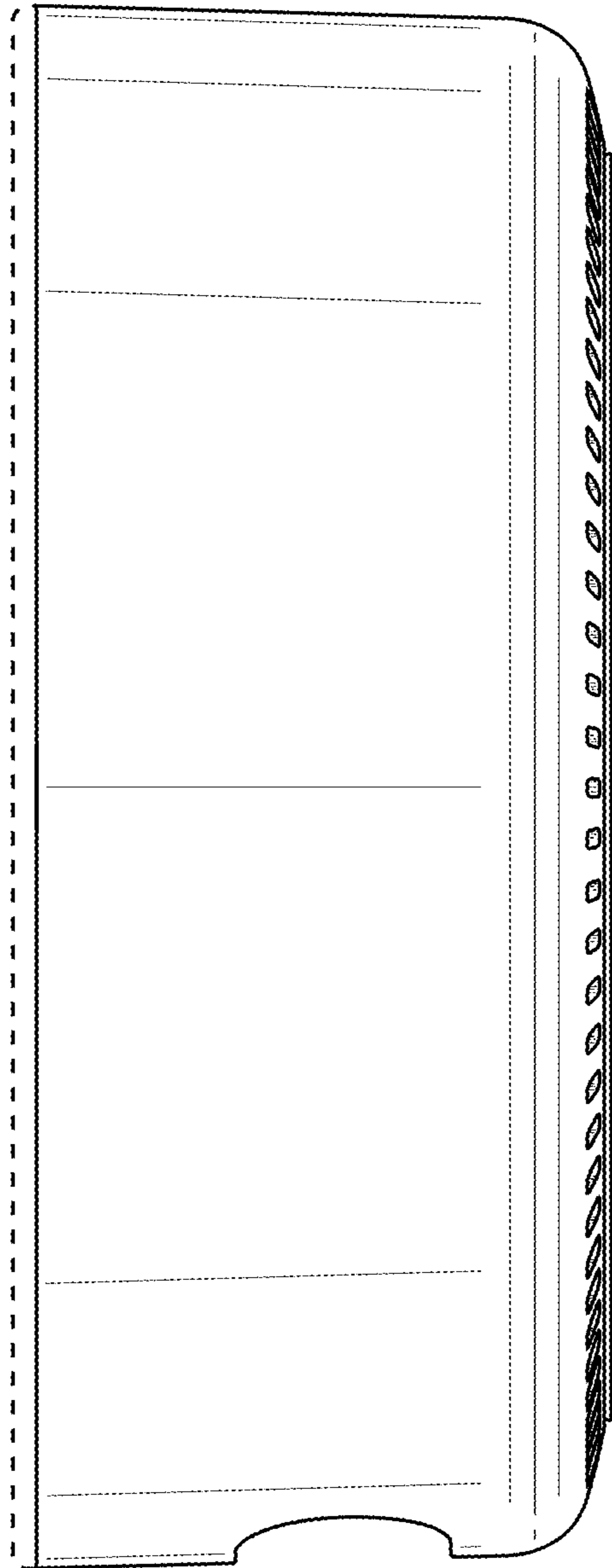


FIG. 14

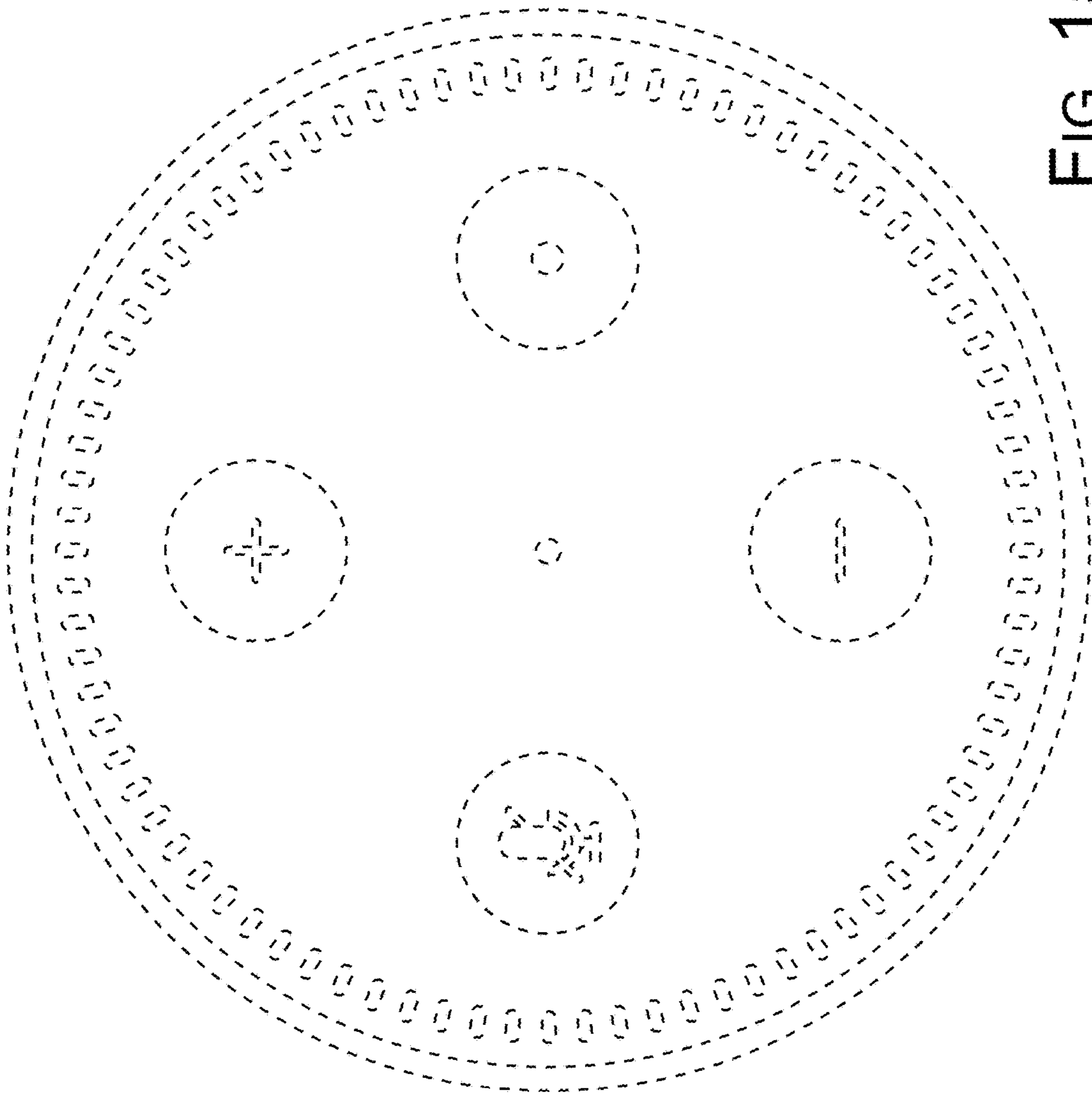


FIG. 15

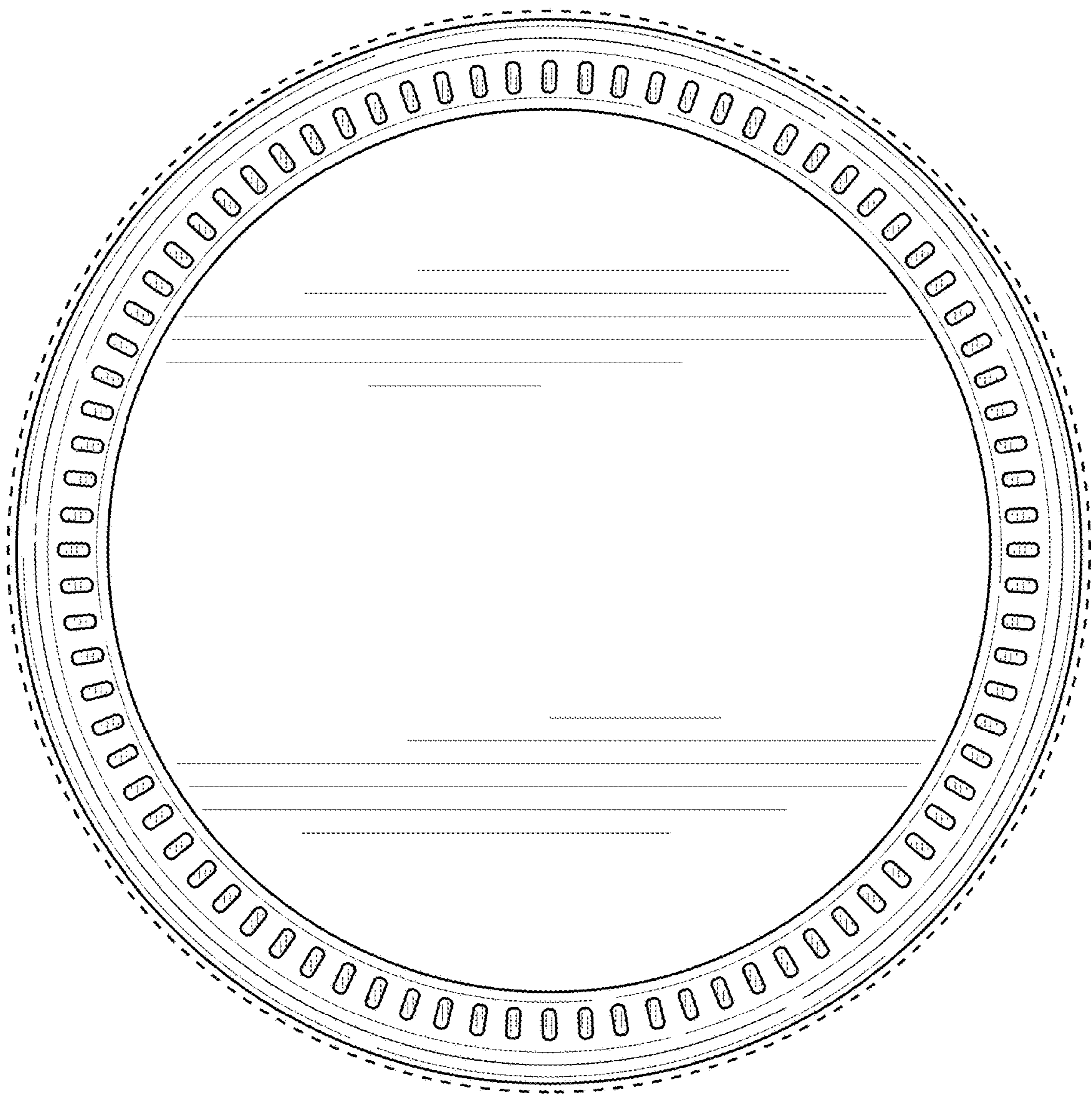


FIG. 16