



US00D792419S

(12) **United States Design Patent** (10) **Patent No.:** **US D792,419 S**
Shen et al. (45) **Date of Patent:** **** Jul. 18, 2017**

(54) **SUPPORT ASSEMBLY FOR VERTICALLY
DISPOSED OBJECTS**

FOREIGN PATENT DOCUMENTS

(71) Applicants: **Donald Shen**, Guangzhou (CN);
Michael Roach, Libertyville, IL (US);
James Zhao, Shanghai (CN)

FR 824607-001 * 2/1983

(72) Inventors: **Donald Shen**, Guangzhou (CN);
Michael Roach, Libertyville, IL (US);
James Zhao, Shanghai (CN)

OTHER PUBLICATIONS

afcindustries. <URL: <http://www.afcindustries.com/wall-mounted-height-adjustable-scanner-shelf-arm-p1232>>. Visited Sep. 9, 2016. Mounted shelf.*

(73) Assignee: **Suncraft Solutions, Inc.**, Pomona, CA
(US)

(Continued)

(**) Term: **14 Years**

Primary Examiner — Bridget L Eland

Assistant Examiner — Lauren McVey

(74) *Attorney, Agent, or Firm* — K&L Gates LLP

(21) Appl. No.: **29/513,619**

(57) **CLAIM**

(22) Filed: **Jan. 2, 2015**

We claim the ornamental design for the support assembly for vertically disposed objects, as illustrated and described.

(51) **LOC (10) Cl.** **14-03**

(52) **U.S. Cl.**

USPC **D14/452**

(58) **Field of Classification Search**

USPC D14/452, 451, 312, 375, 376, 447, 448;
D6/312; D8/363, 373, 380

CPC . A47B 21/0314; A47B 81/061; A47B 81/062;
A47B 81/064; A47B 97/001; A47B
2097/005; F16M 13/022; F16M 11/06;
F16M 11/08; H05K 5/0017

See application file for complete search history.

DESCRIPTION

This application was filed Jan. 2, 2015, concurrently with U.S. patent application Ser. No. 14/588,768, entitled, "Support Assembly for Vertically Disposed Objects, Such as Televisions and Video Monitors".

FIG. 1 is a top, rear, left side perspective view of a support assembly for vertically disposed objects of the present disclosure;

FIG. 2 is a rear view thereof;

FIG. 3 is a front view thereof;

FIG. 4 is a left side view thereof;

FIG. 5 is a right side view thereof;

FIG. 6 is a top view thereof; and,

FIG. 7 is a bottom view thereof.

The ornamental design that is claimed is shown in solid lines in the drawings. The broken lines in the drawings are for environmental purposes only and form no part of the claimed design.

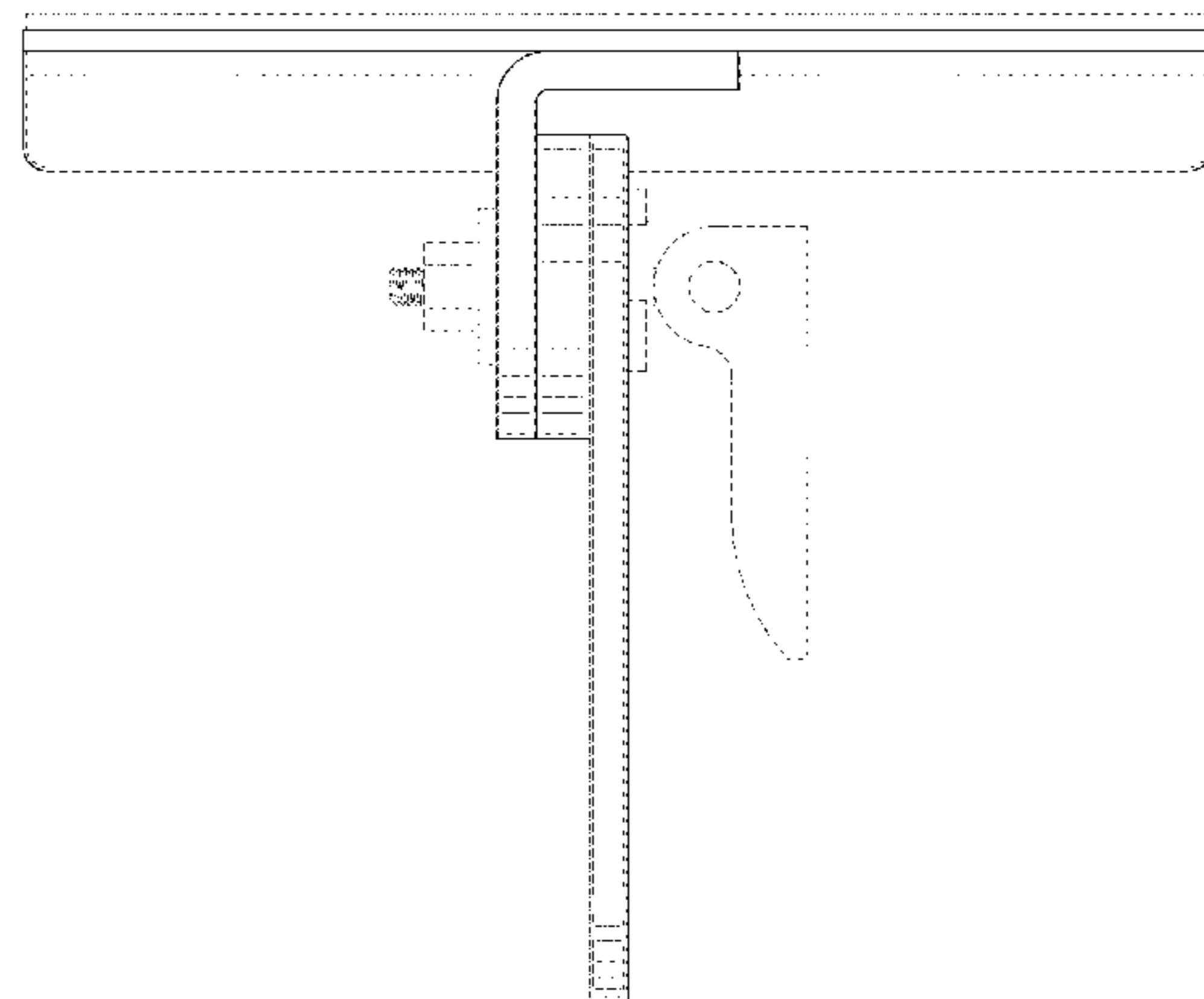
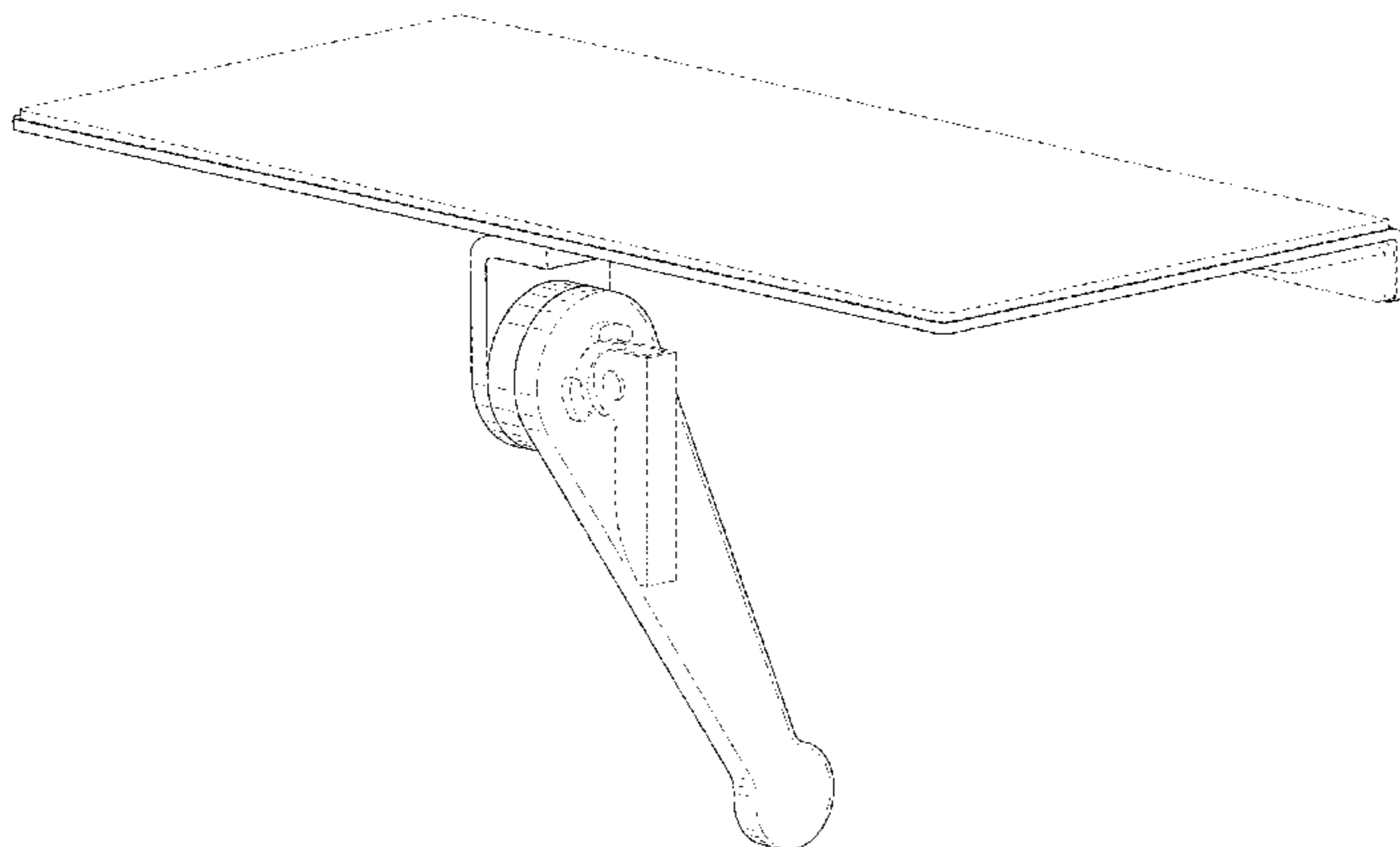
(56) **References Cited**

U.S. PATENT DOCUMENTS

1,666,084 A 12/1925 Bright
1,738,415 A 12/1929 Wittlinger
2,217,721 A 10/1940 Anthony
D275,431 S * 9/1984 Usab 248/921
4,614,452 A 9/1986 Wang
D286,352 S * 10/1986 Huculak D14/452
4,687,167 A * 8/1987 Skalka A47B 21/0314
108/103
D314,505 S * 2/1991 Chen D8/380

(Continued)

1 Claim, 7 Drawing Sheets



(56)

References Cited

U.S. PATENT DOCUMENTS

D347,841 S * 6/1994 Rossman D14/452
 5,452,875 A 9/1995 Kern
 D363,065 S * 10/1995 Karten D14/452
 D376,590 S * 12/1996 Kao D14/452
 5,584,253 A 12/1996 Stranford
 5,842,423 A 12/1998 Stranford
 6,032,589 A 3/2000 Wang
 6,138,966 A 10/2000 Smith
 6,170,408 B1 1/2001 Gombrich
 D460,078 S * 7/2002 Li D14/452
 6,450,517 B1 9/2002 Lee
 6,738,094 B1 5/2004 Minami et al.
 6,773,060 B2 8/2004 Sher et al.
 7,341,235 B2 3/2008 Okamoto
 D620,942 S * 8/2010 Huang D14/447
 8,146,879 B2 4/2012 Liao
 D660,845 S * 5/2012 Schmauch D14/452
 D662,102 S * 6/2012 Derry D14/452
 D668,257 S * 10/2012 Tsai D14/452

D682,282 S * 5/2013 Steinfeld D14/447
 8,528,870 B2 9/2013 Liu et al.
 D733,158 S 6/2015 Kardach
 2003/0189150 A1 10/2003 Schultz
 2006/0238662 A1 10/2006 McGivern et al.
 2008/0121771 A1 5/2008 Sen
 2009/0008349 A1 1/2009 Kim
 2009/0224122 A1 9/2009 Liao
 2010/0044324 A1 2/2010 Gerace
 2010/0258690 A1 10/2010 Kleitsch et al.
 2015/0296984 A1 10/2015 Fan

OTHER PUBLICATIONS

U.S. Appl. No. 14/588,768 entitled: Support Assembly for Vertically Disposed Objects, Such as Televisions and Video Monitors, filed Jan. 2, 2015.
 U.S. Appl. No. 14/588,768, Non-Final Office Action dated Apr. 7, 2016.
 U.S. Appl. No. 14/588,768, Final Office Action dated Oct. 18, 2016.

* cited by examiner

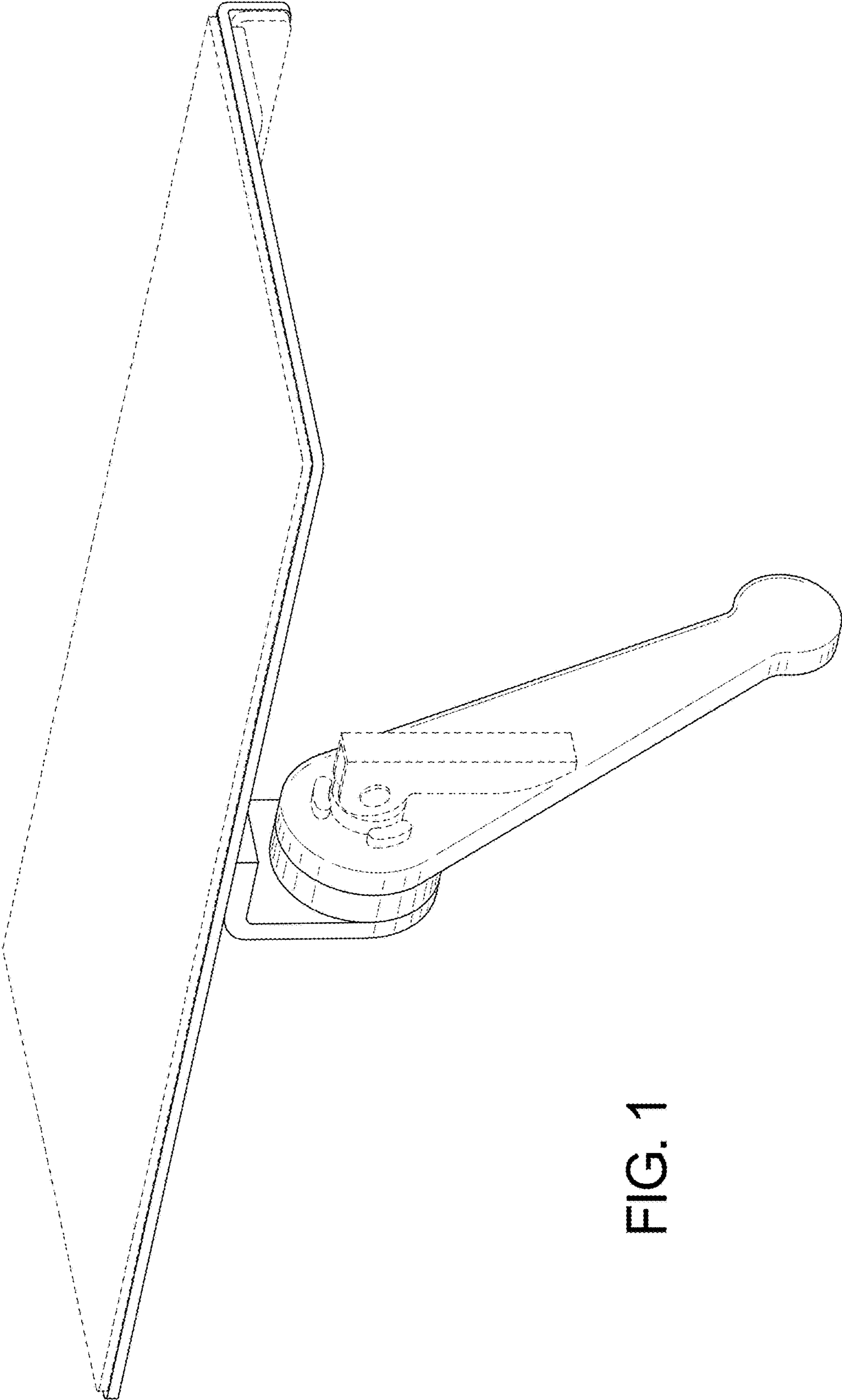


FIG. 1

FIG. 2

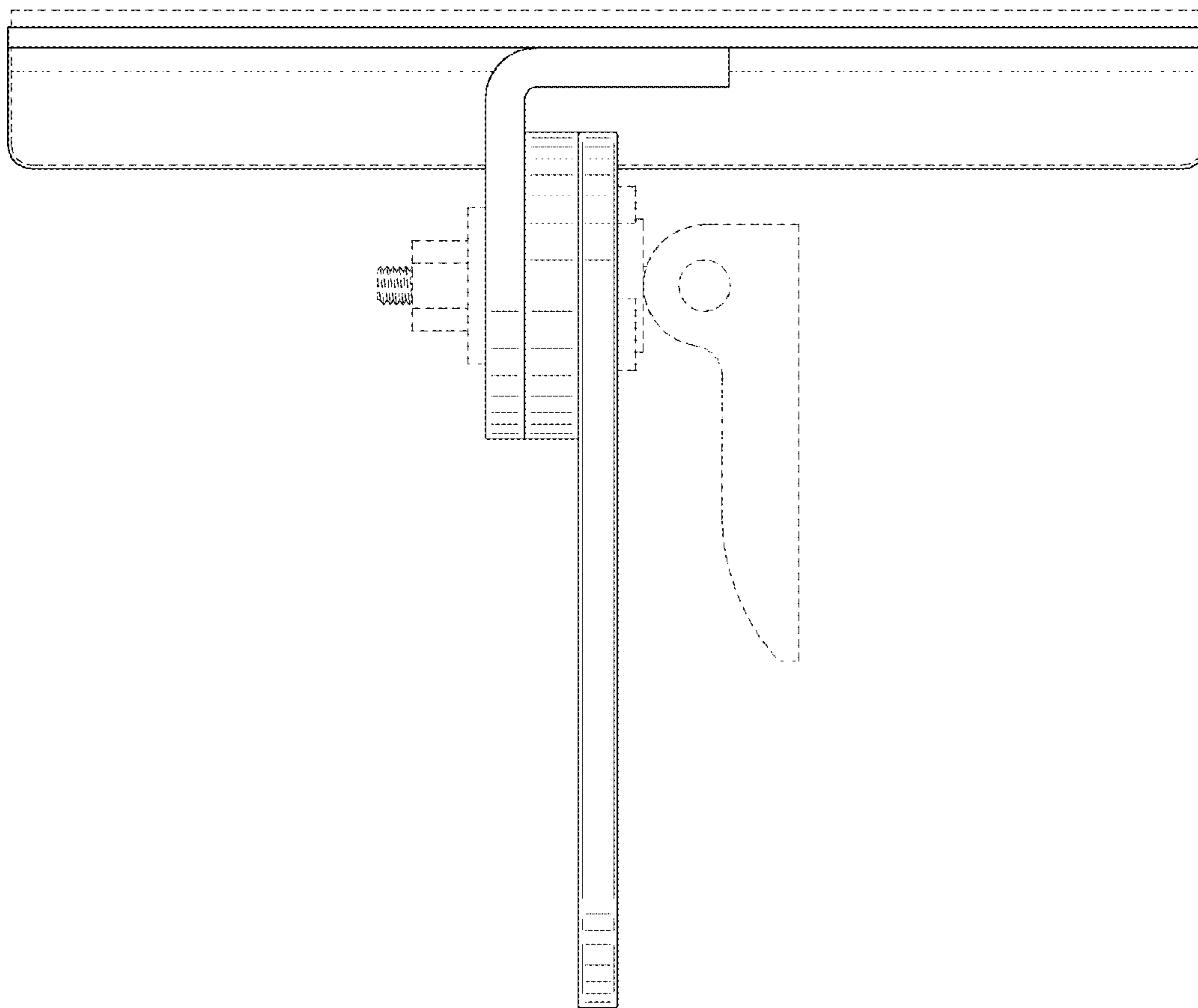


FIG. 3

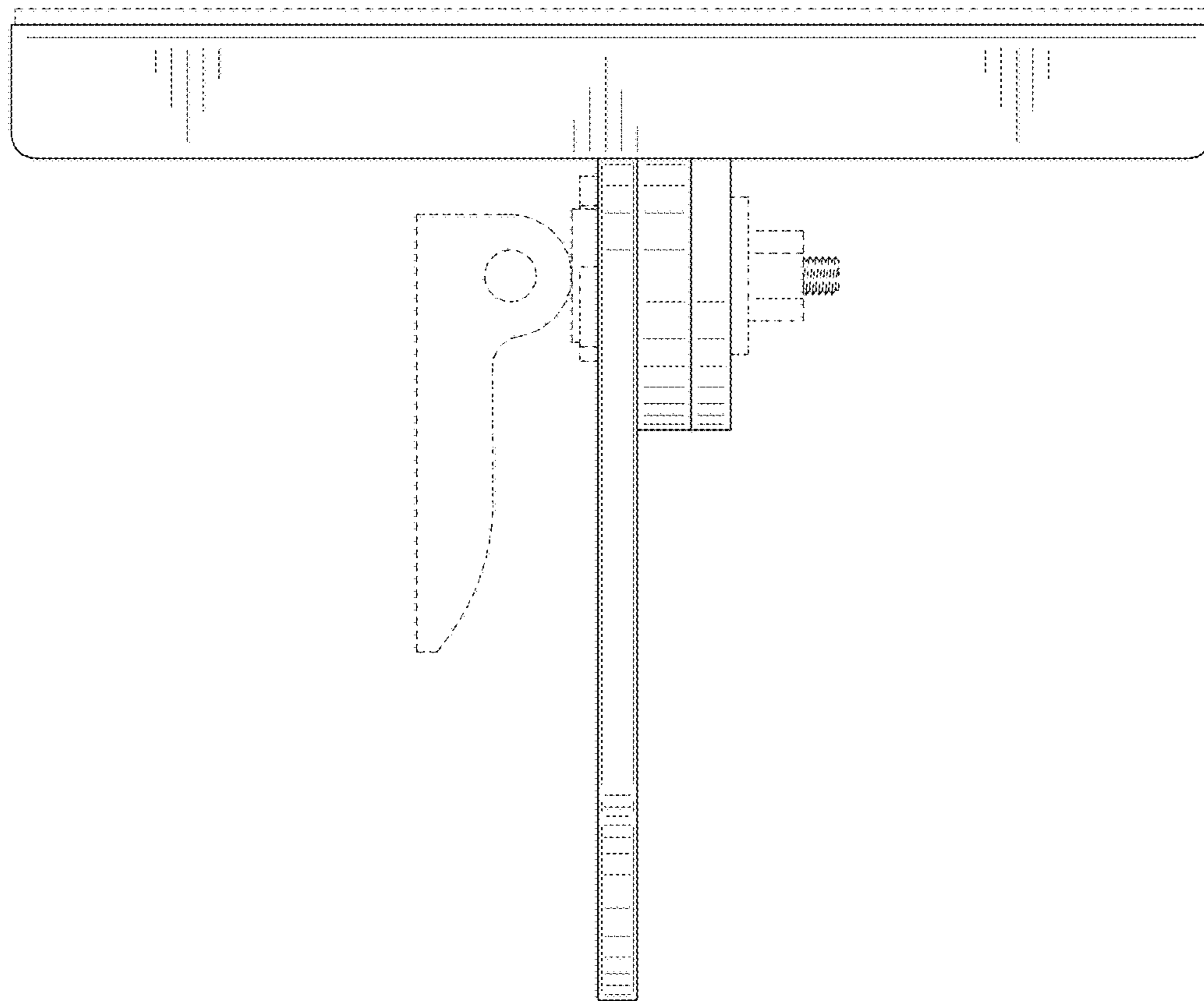


FIG. 4

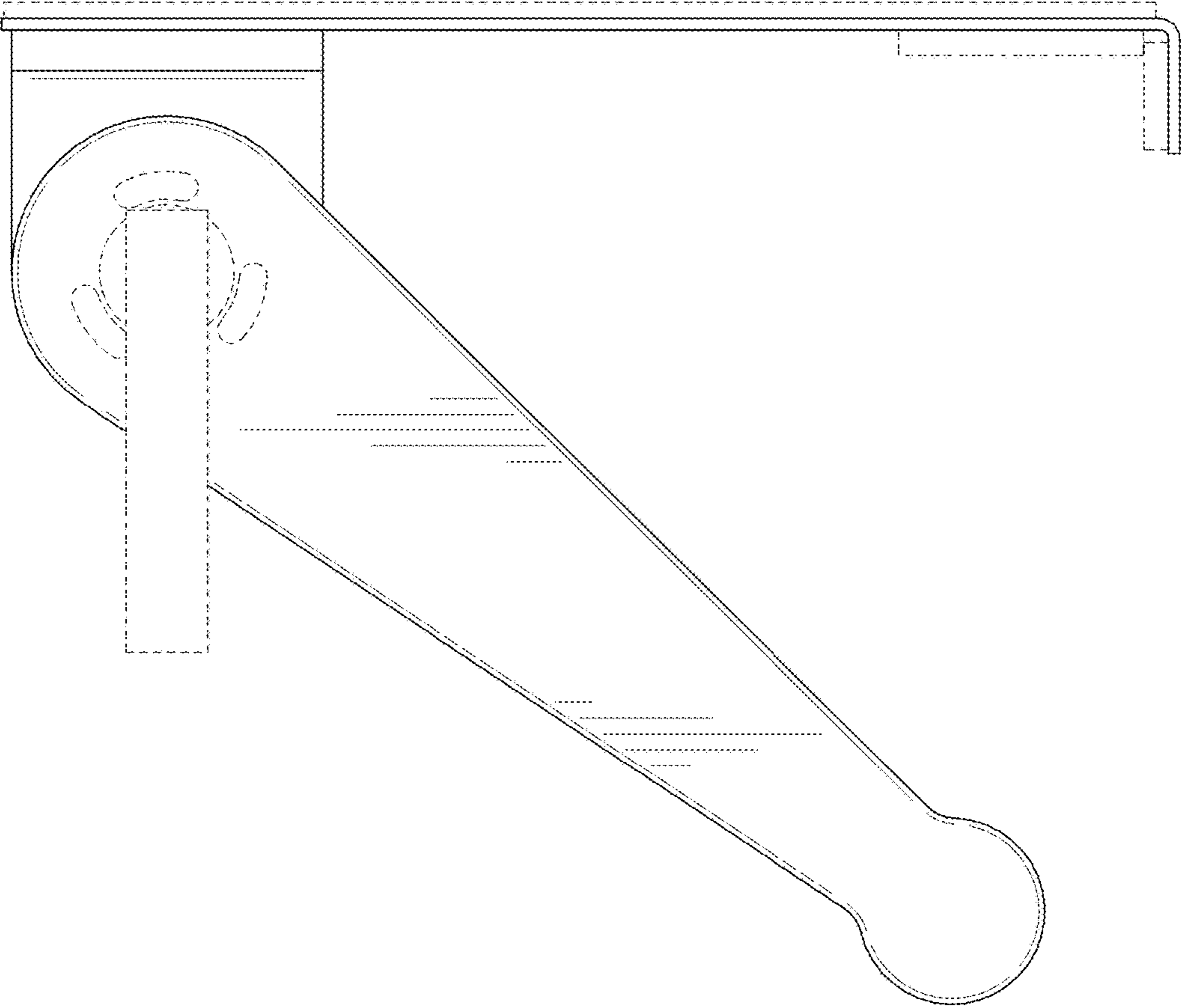


FIG. 5

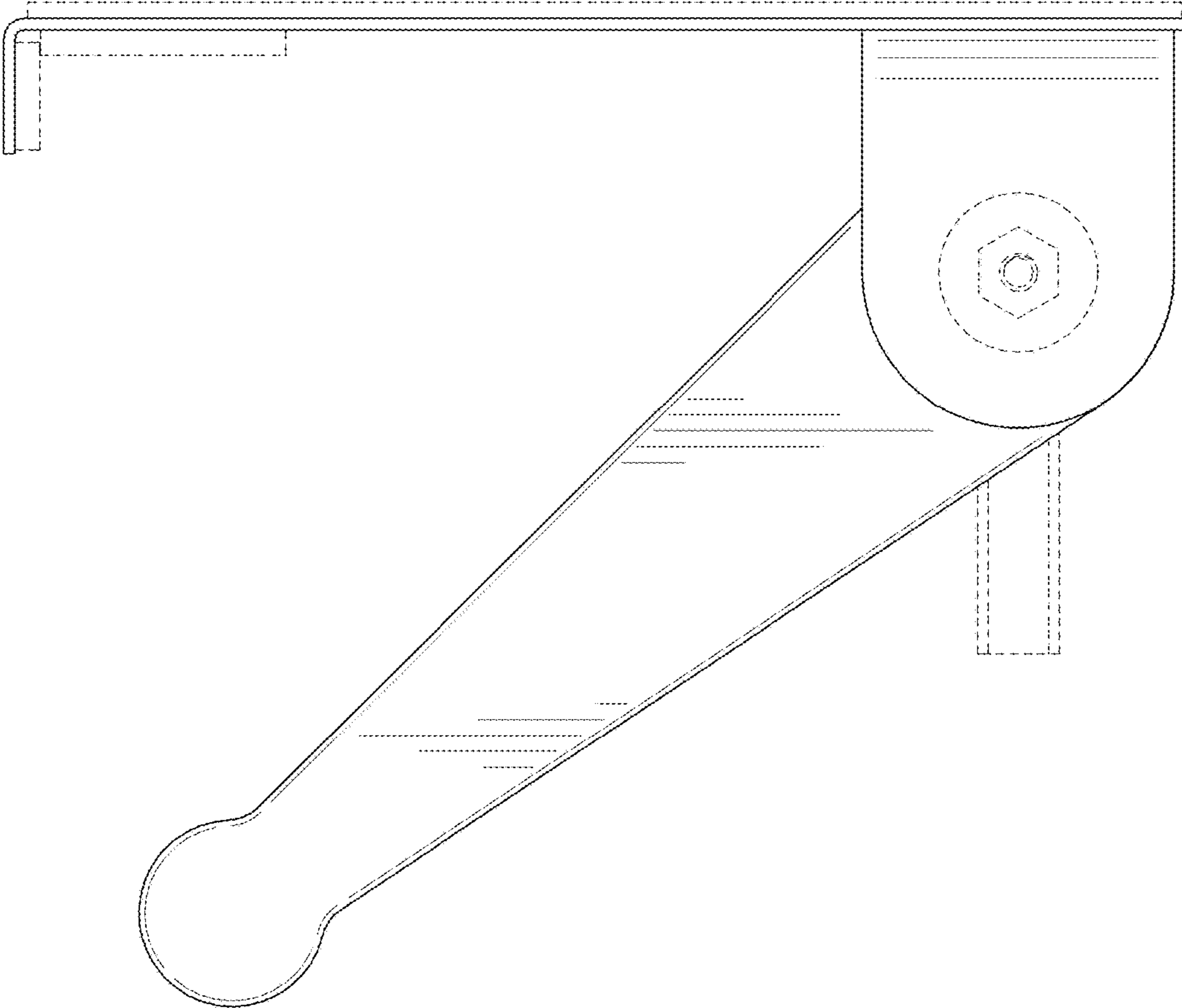


FIG. 6

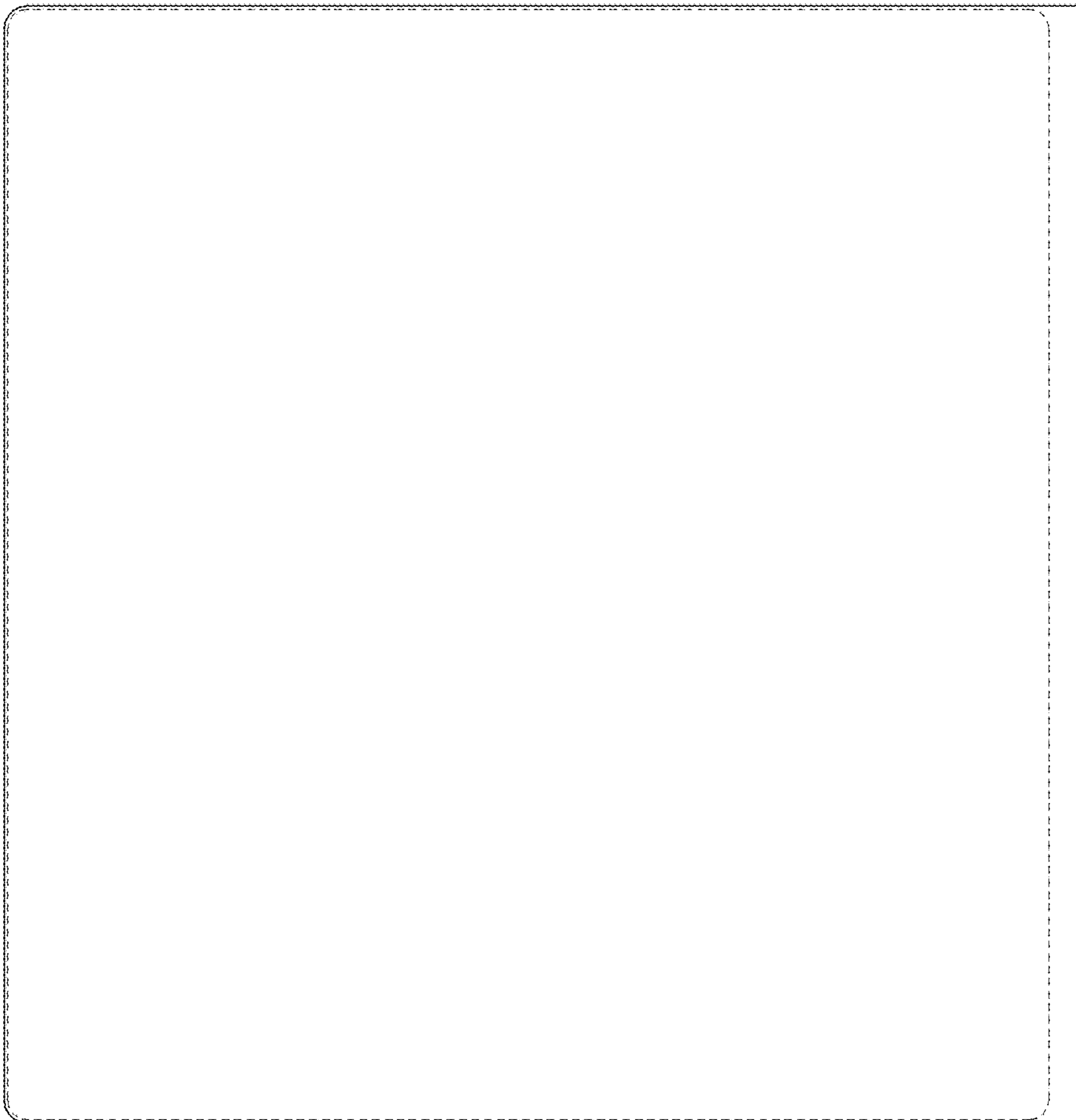


FIG. 7

