



US00D792418S

(12) **United States Design Patent**
Stener

(10) **Patent No.:** **US D792,418 S**

(45) **Date of Patent:** **** Jul. 18, 2017**

(54) **MOUNT FOR SUPPORTING AN ELECTRONIC DEVICE**

A47B 88/044; A47B 2021/0335; H02G 3/126; F16B 47/00; F16B 47/006; A47G 1/17; A47K 2201/00

(71) Applicant: **Wild West Investments, LLC**, Dallas, TX (US)

See application file for complete search history.

(72) Inventor: **Gavin Stener**, Dallas, TX (US)

(56) **References Cited**

(73) Assignee: **Wild West Investments, Inc.**, Dallas, TX (US)

U.S. PATENT DOCUMENTS

(**) Term: **15 Years**

D290,719 S *	7/1987	Holloway	D13/169
D317,331 S *	6/1991	Holloway	D14/416
D390,709 S *	2/1998	Moore	D6/323
D409,182 S *	5/1999	Tyler	D14/413
D554,137 S *	10/2007	Richter	D14/251
D657,783 S *	4/2012	Mo	D14/251
D686,622 S *	7/2013	Rey	D14/412
D718,298 S *	11/2014	Aspinall	D14/253
D723,559 S *	3/2015	Hein	D14/413
D732,519 S *	6/2015	Aspinall	D14/253

(21) Appl. No.: **29/539,952**

(22) Filed: **Sep. 18, 2015**

(51) **LOC (10) Cl.** **08-07**

(52) **U.S. Cl.**

USPC **D14/451**

(58) **Field of Classification Search**

USPC D14/371-382, 125-129, 336, 337, D14/447-452, 492, 335, 239, 457, D14/439-441, 432, 251-253, 413; D8/349, 354, 363, 373, 376, 380; D21/333; D12/415; D3/218; 348/180, 348/184, 325, 739, 825; 248/323, 278.1, 248/286.1, 133

CPC G06F 3/0412; G06F 3/016; G06F 3/0488; G06F 3/011; G06F 3/038; G06F 3/03543; G06F 3/0338; G06F 3/0202; G06F 3/0219; G06F 3/0213; G06F 1/1616; G06F 3/023; G06F 3/04883; G02F 1/13338; G02F 1/1313; G02F 1/1333; G02F 1/135; G02F 1/132; G02F 1/133308; G02F 1/134309; G02F 1/13718; G09G 3/3648; G06K 15/1252; B41J 2/465; G03F 7/70291; G02B 27/0172; G02B 5/30; G02B 2027/0118; G02B 27/0101; F16M 13/02; F16M 13/00; F16M 11/10; F16M 11/04; F16M 2200/08; F16M 11/2021; A47B 21/0314;

(Continued)

Primary Examiner — Garth Rademaker

Assistant Examiner — Katie Stofko Mrocza

(74) *Attorney, Agent, or Firm* — Dentons US LLP

(57) **CLAIM**

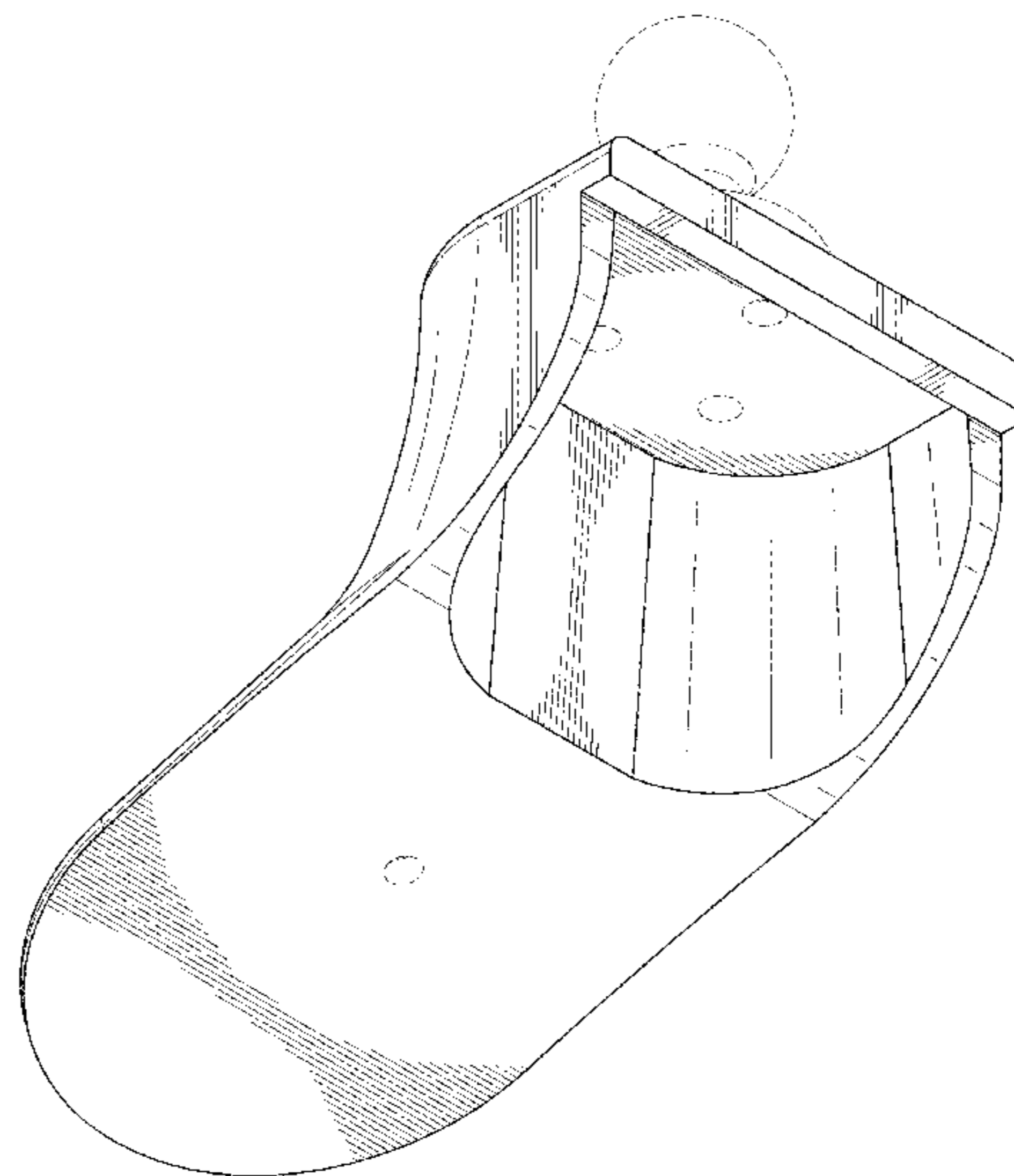
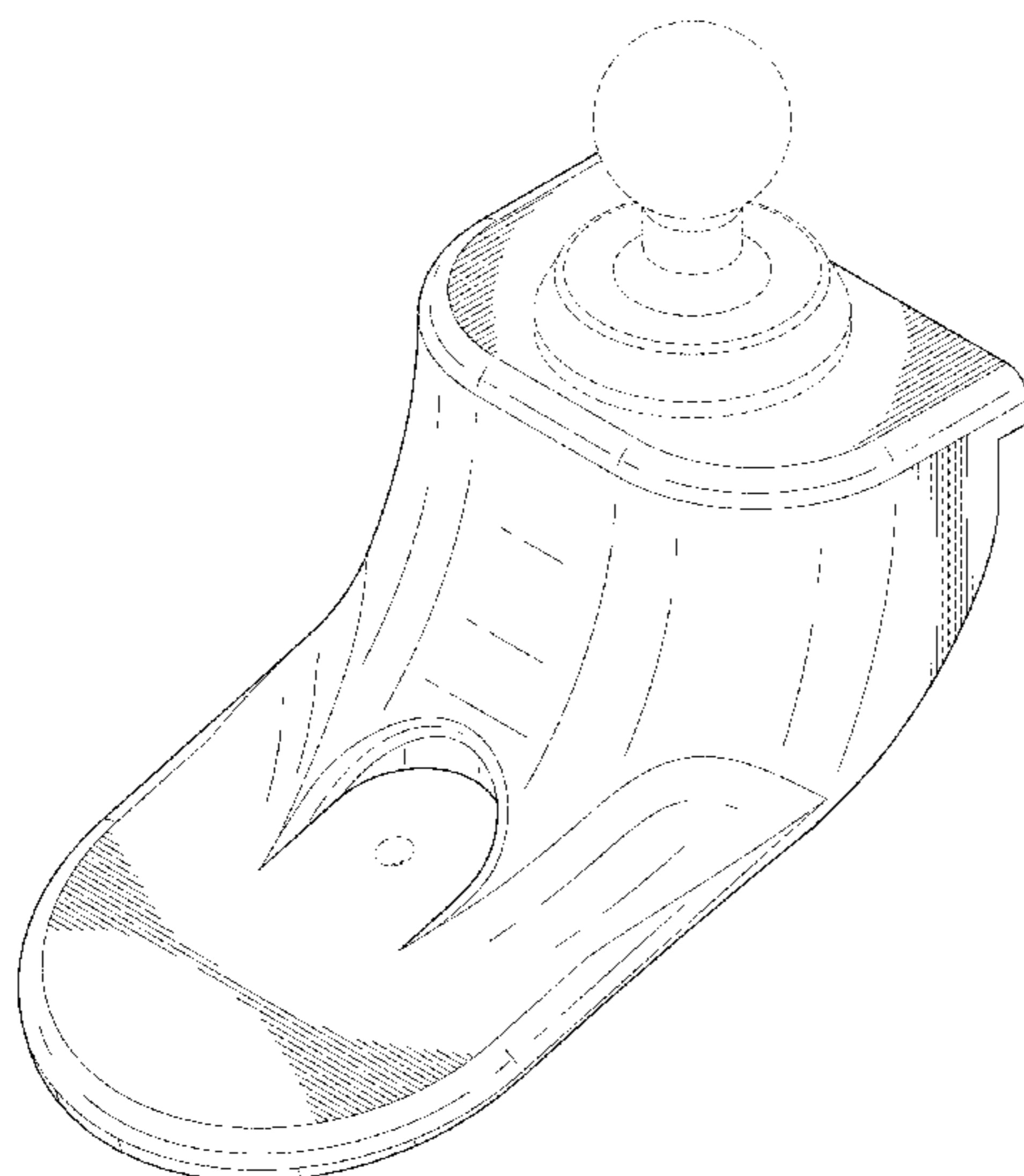
An ornamental design for a mount for supporting an electronic device, as shown and described.

DESCRIPTION

FIG. 1 is an illustration of a top, front perspective view of a mount for supporting an electronic device; FIG. 2 is an illustration of a front view thereof; FIG. 3 is an illustration of a rear view thereof; FIG. 4 is an illustration of a left-side view thereof; FIG. 5 is an illustration of a right-side view thereof; FIG. 6 is an illustration of a top view thereof; FIG. 7 is an illustration of a bottom view thereof; and, FIG. 8 is an illustration of a bottom, rear perspective view thereof.

The broken lines in FIGS. 1-8 illustrate portions of the mount for supporting an electronic device that form no part of the claimed design.

1 Claim, 8 Drawing Sheets



(56)

References Cited

U.S. PATENT DOCUMENTS

D733,116 S *	6/2015	Aspinall	D14/253
D747,721 S *	1/2016	Gentle	D12/179
2005/0045779 A1*	3/2005	Nan	A61H 19/44 248/133

* cited by examiner

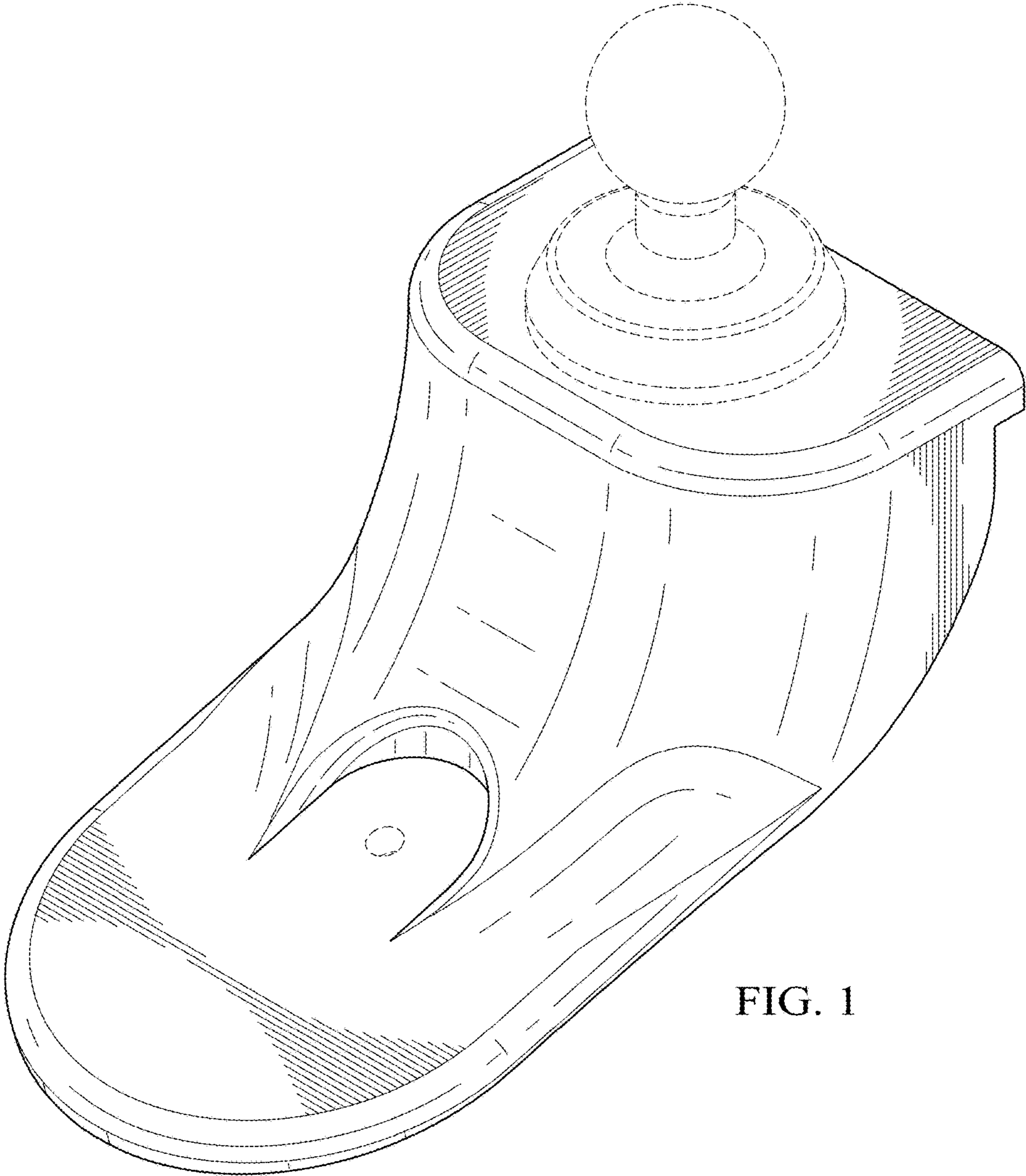


FIG. 1

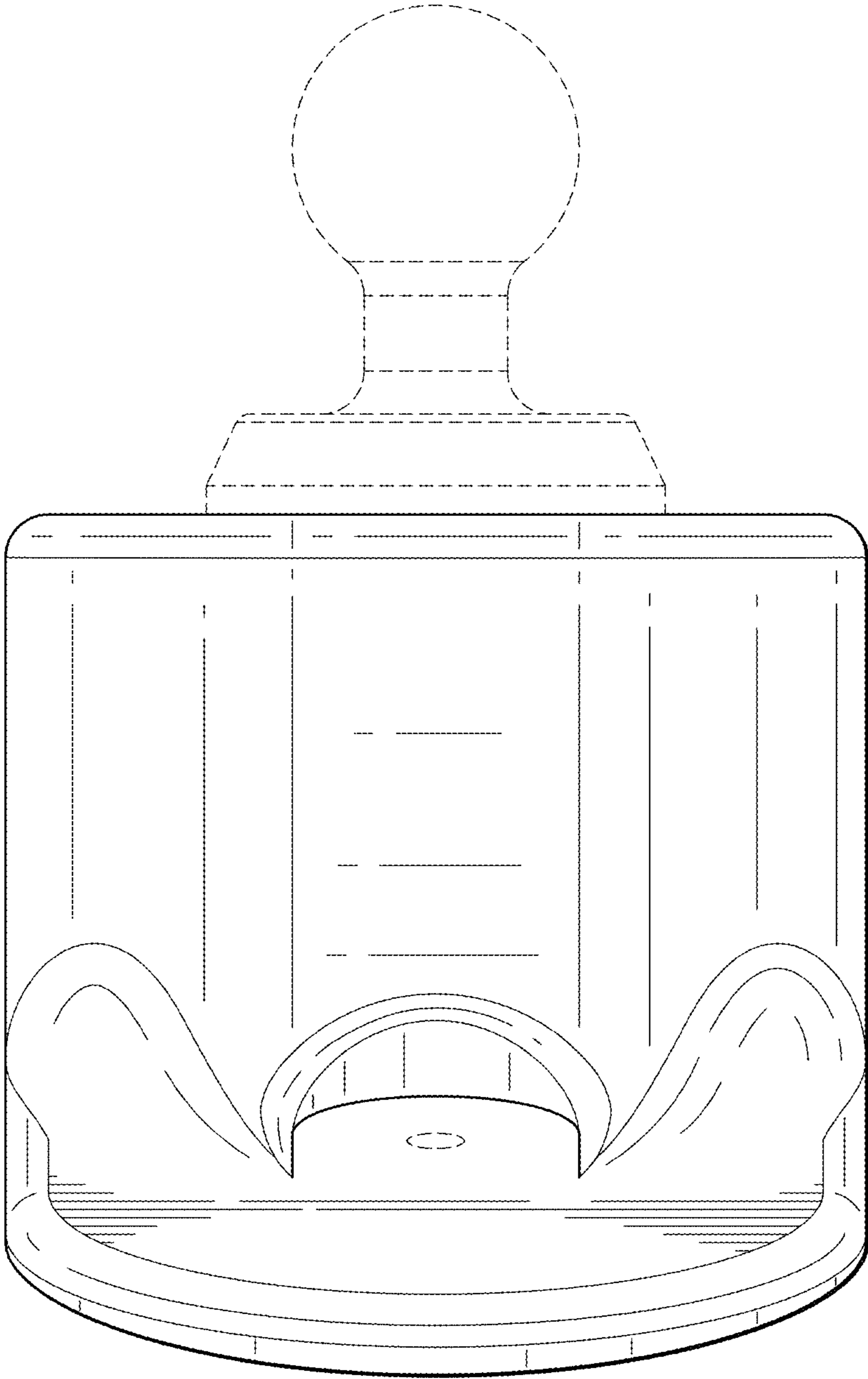


FIG. 2

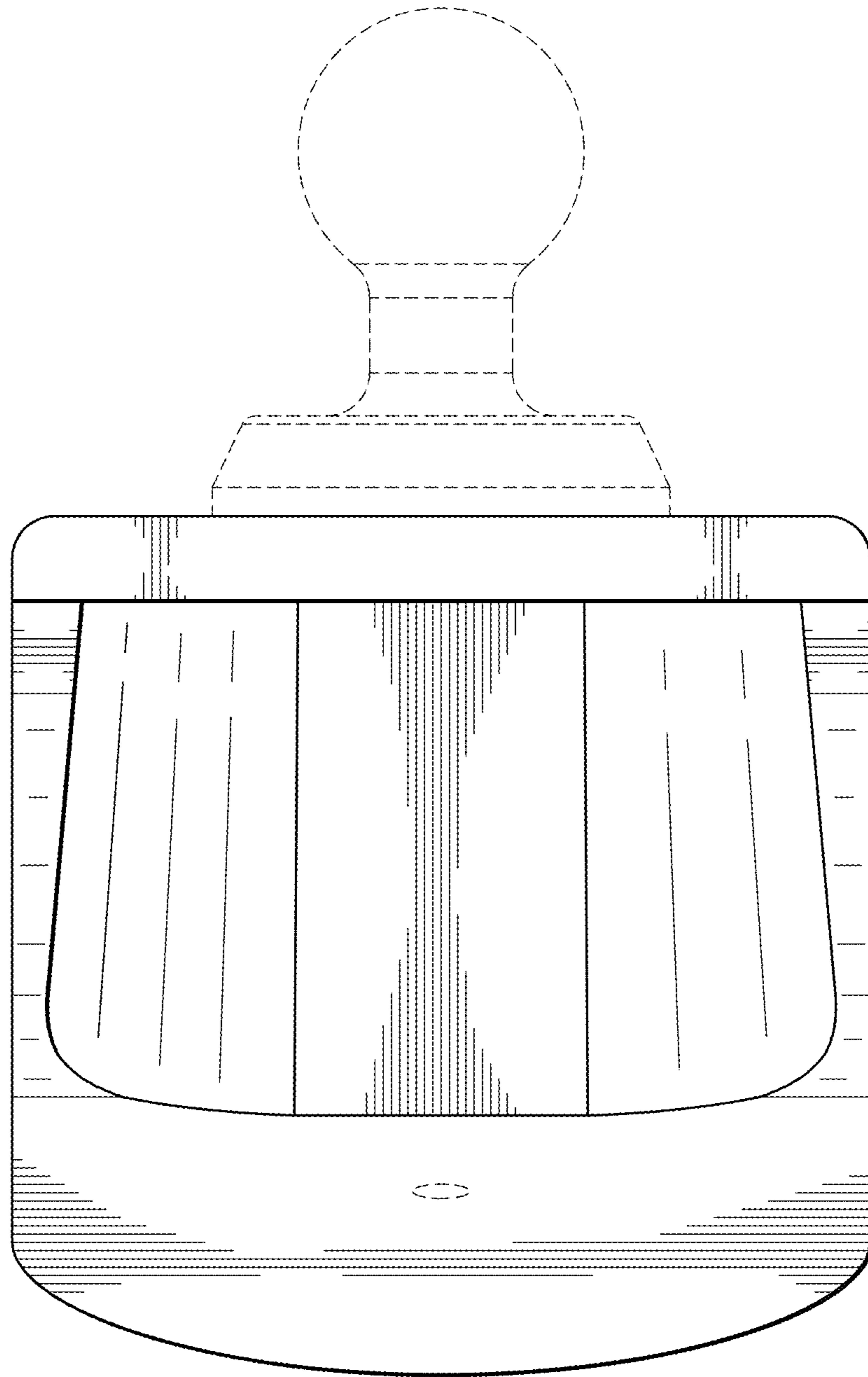


FIG. 3

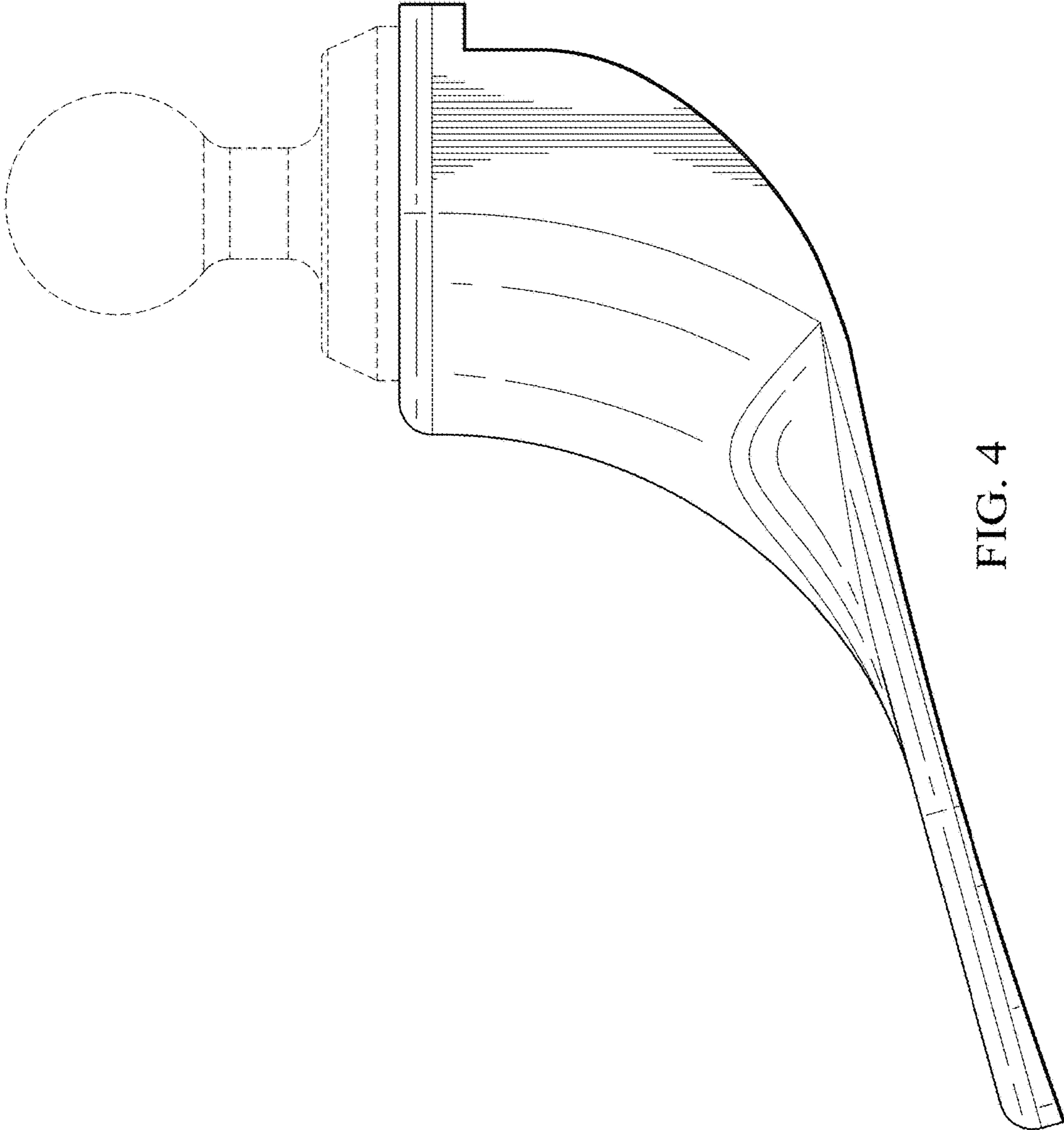


FIG. 4

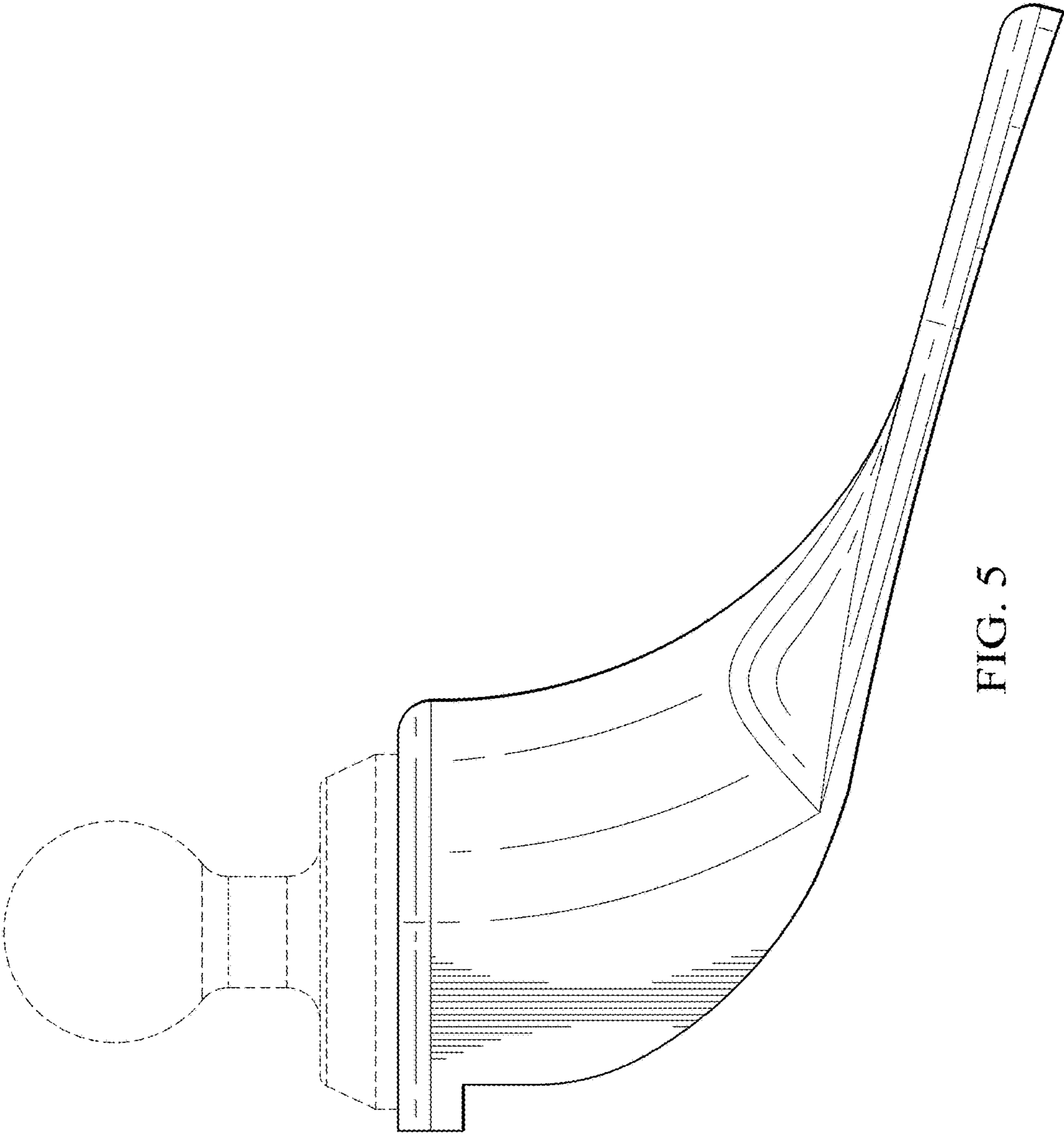


FIG. 5

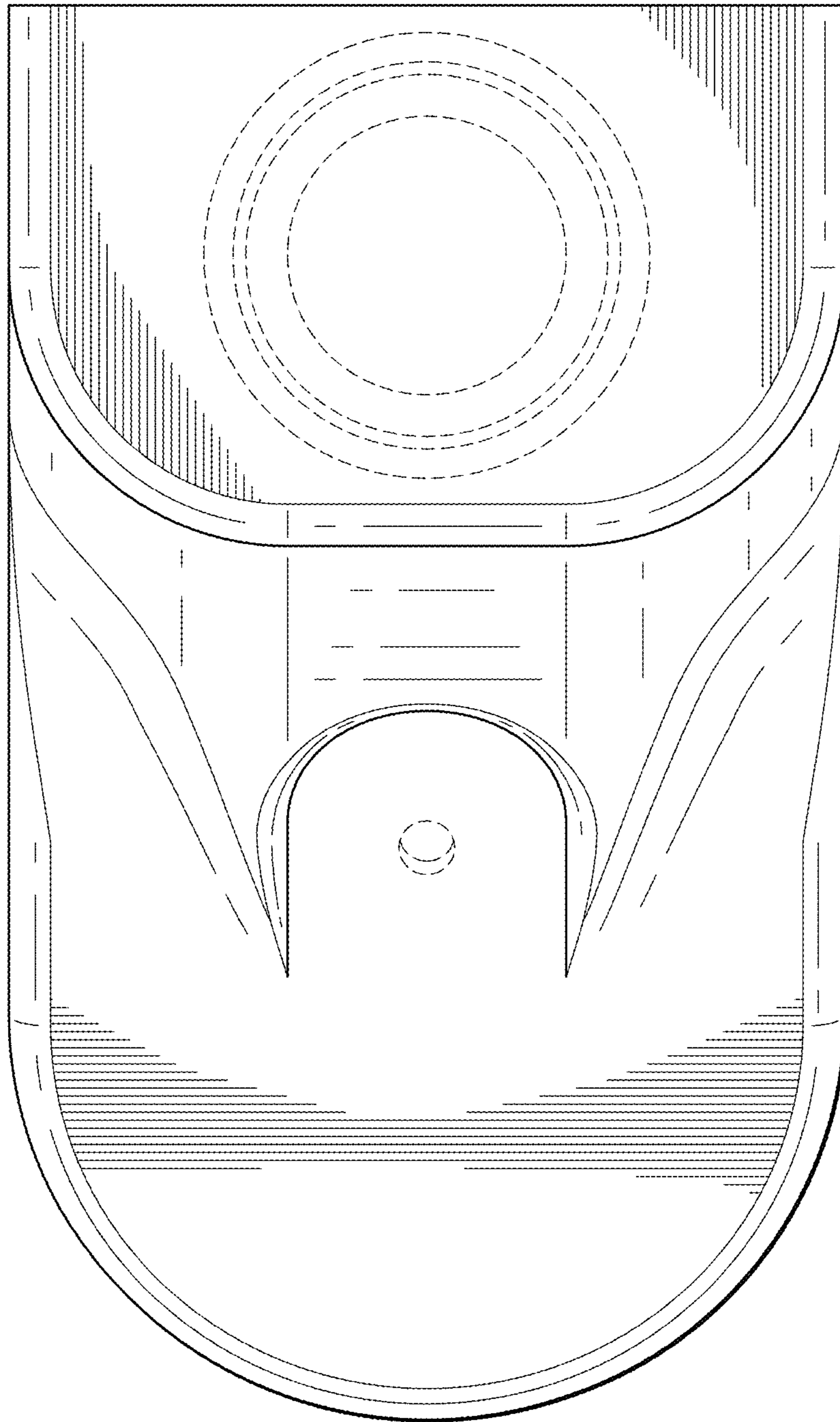


FIG. 6

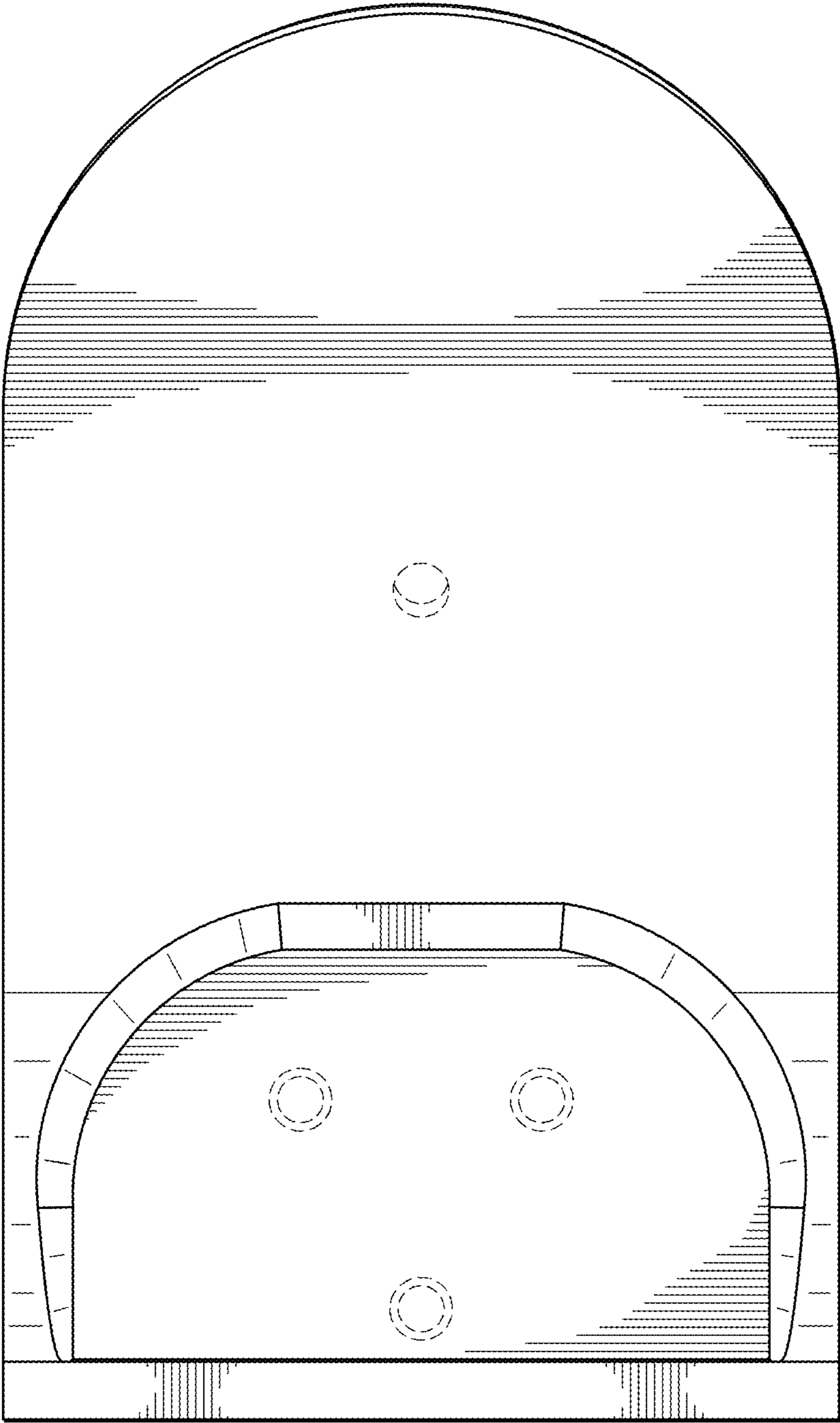


FIG. 7

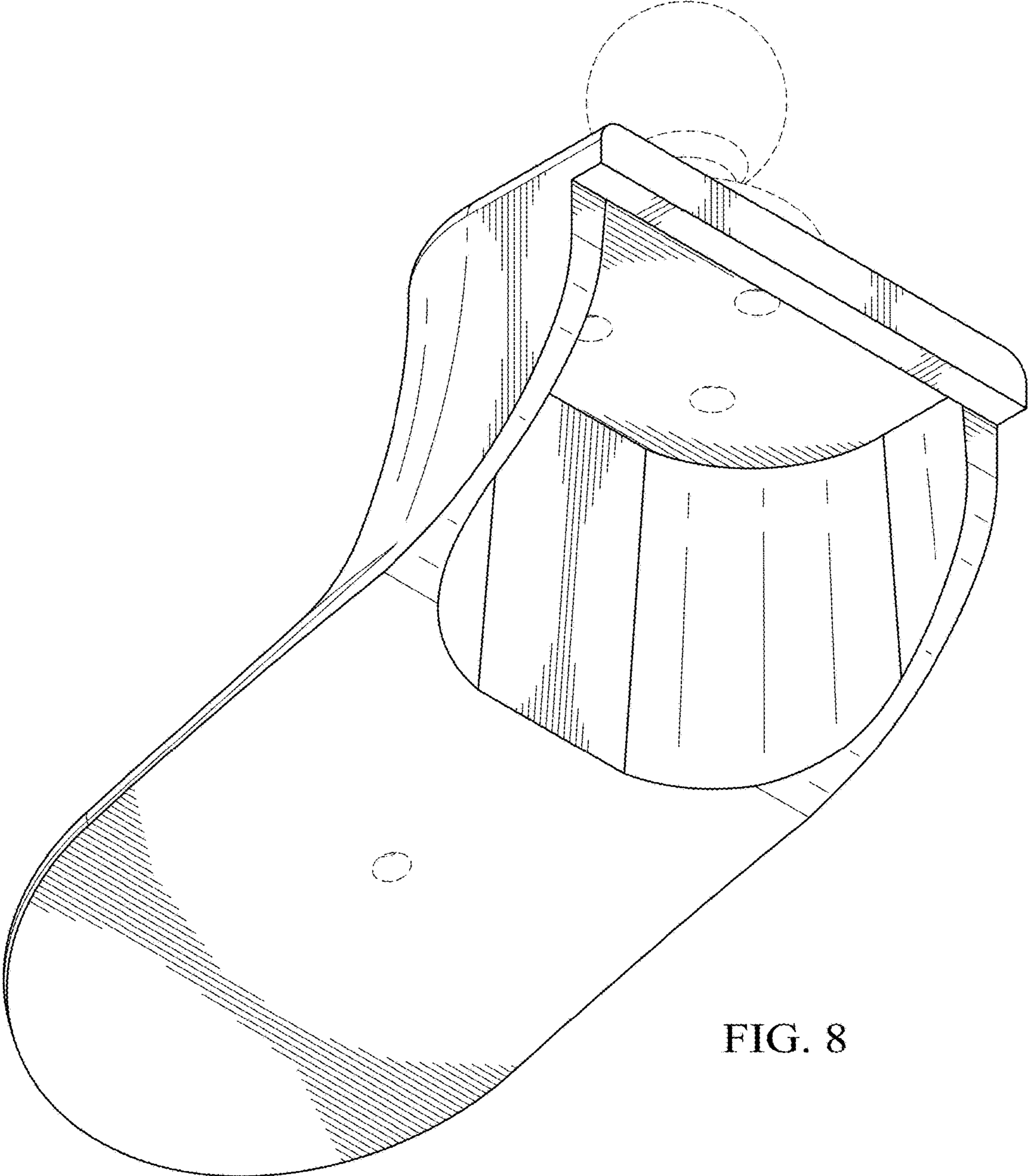


FIG. 8