



US00D792417S

(12) **United States Design Patent**
Xiang et al.

(10) **Patent No.:** **US D792,417 S**
(45) **Date of Patent:** **** Jul. 18, 2017**

(54) **ADJUSTABLE PLATFORM**
(71) Applicant: **Loctek Ergonomic Technology Corp.,**
Ningbo (CN)
(72) Inventors: **Lehong Xiang, Ningbo (CN); Qiang**
Chen, Ningbo (CN)
(73) Assignee: **Loctek Ergonomic Technology Corp.,**
Ningbo (CN)

D672,782 S * 12/2012 Gross D14/447
D701,212 S * 3/2014 Blevins D14/447
D704,195 S * 5/2014 Marquette D14/447
D704,714 S * 5/2014 Christiano D14/447
D709,896 S * 7/2014 McKinstry D14/447
D751,565 S * 3/2016 Gross D14/451
D783,628 S * 4/2017 Pitteri D14/447
2016/0007734 A1 * 1/2016 Suman A47B 23/043
108/26

(**) Term: **15 Years**
(21) Appl. No.: **29/573,191**

* cited by examiner
Primary Examiner — Angela J Lee
(74) *Attorney, Agent, or Firm* — Klarquist Sparkman,
LLP

(22) Filed: **Aug. 3, 2016**
(51) **LOC (10) Cl.** **08-07**
(52) **U.S. Cl.**
USPC **D14/447**

(57) **CLAIM**
We claim the ornamental design for an adjustable platform,
as shown and described.

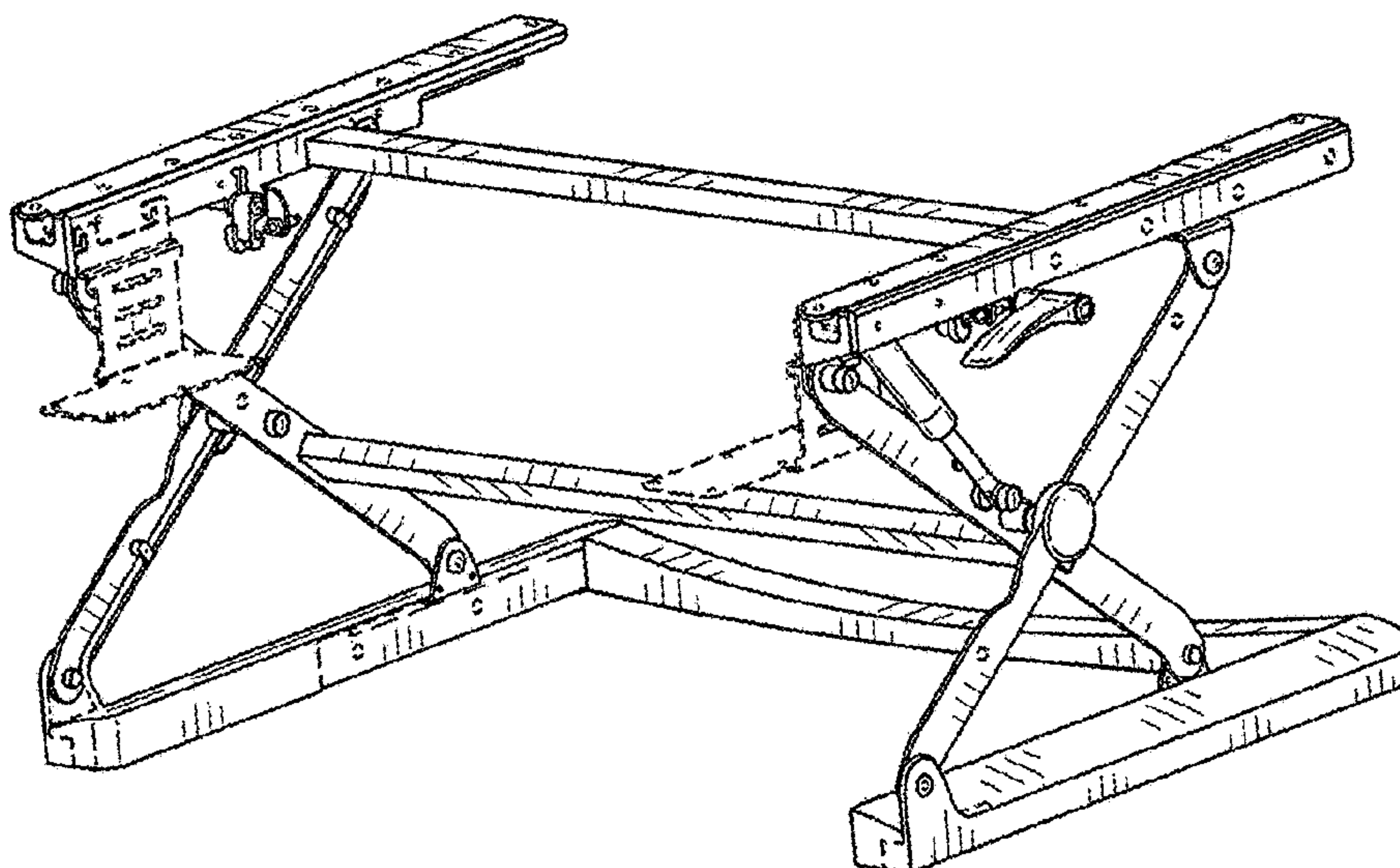
(58) **Field of Classification Search**
USPC D14/447, 432, 434, 439, 440, 451, 452,
D14/457, 239; D8/363, 373, 380;
D6/406.3, 406.4, 406.5, 406.6; D12/415
CPC A47B 21/04; A47B 2097/006; A47B
2097/005; A47B 2023/049; A45C
2011/002; A45C 2011/003; F16M
2200/00; F16M 13/00
See application file for complete search history.

DESCRIPTION

FIG. 1 is a front perspective view of the design of an adjustable platform;
FIG. 2 is a front perspective view of the design in a collapsed position;
FIG. 3 is a front view of the design;
FIG. 4 is a back view of the design;
FIG. 5 is a left side view of the design;
FIG. 6 is a right side view of the design;
FIG. 7 is a top view of the design;
FIG. 8 is a bottom view of the design; and,
FIG. 9 is a front perspective view of the design in an exemplary environment.
The dashed or broken lines in the drawings illustrate structure or environment that do not form part of the claimed design.

(56) **References Cited**
U.S. PATENT DOCUMENTS
D508,055 S * 8/2005 Lo D14/451
D518,828 S * 4/2006 Liu D14/451
D593,104 S * 5/2009 Gillespie D14/239
D625,300 S * 10/2010 Stifal D14/239
D668,256 S * 10/2012 Matteo D14/447

1 Claim, 9 Drawing Sheets



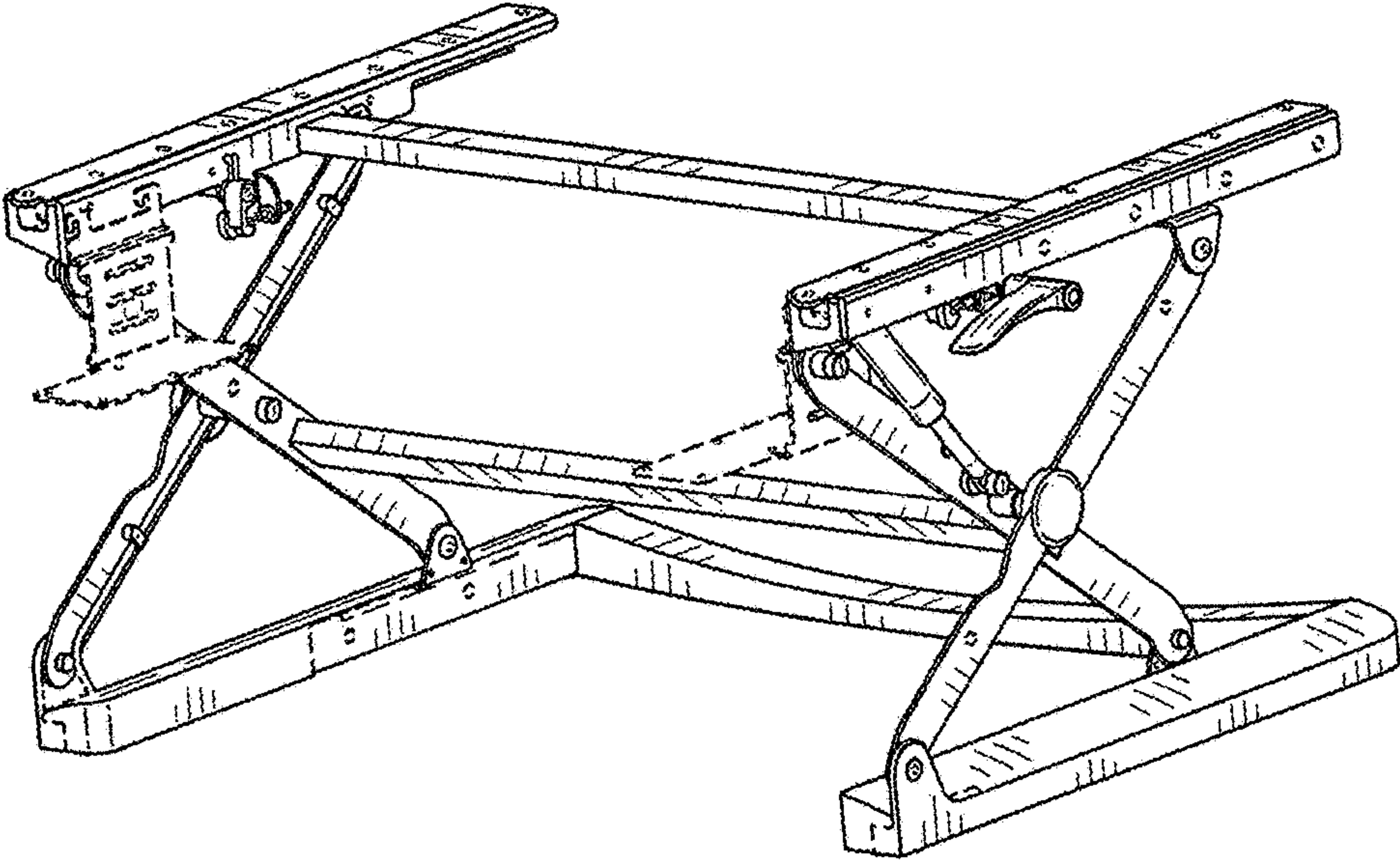


FIG. 1

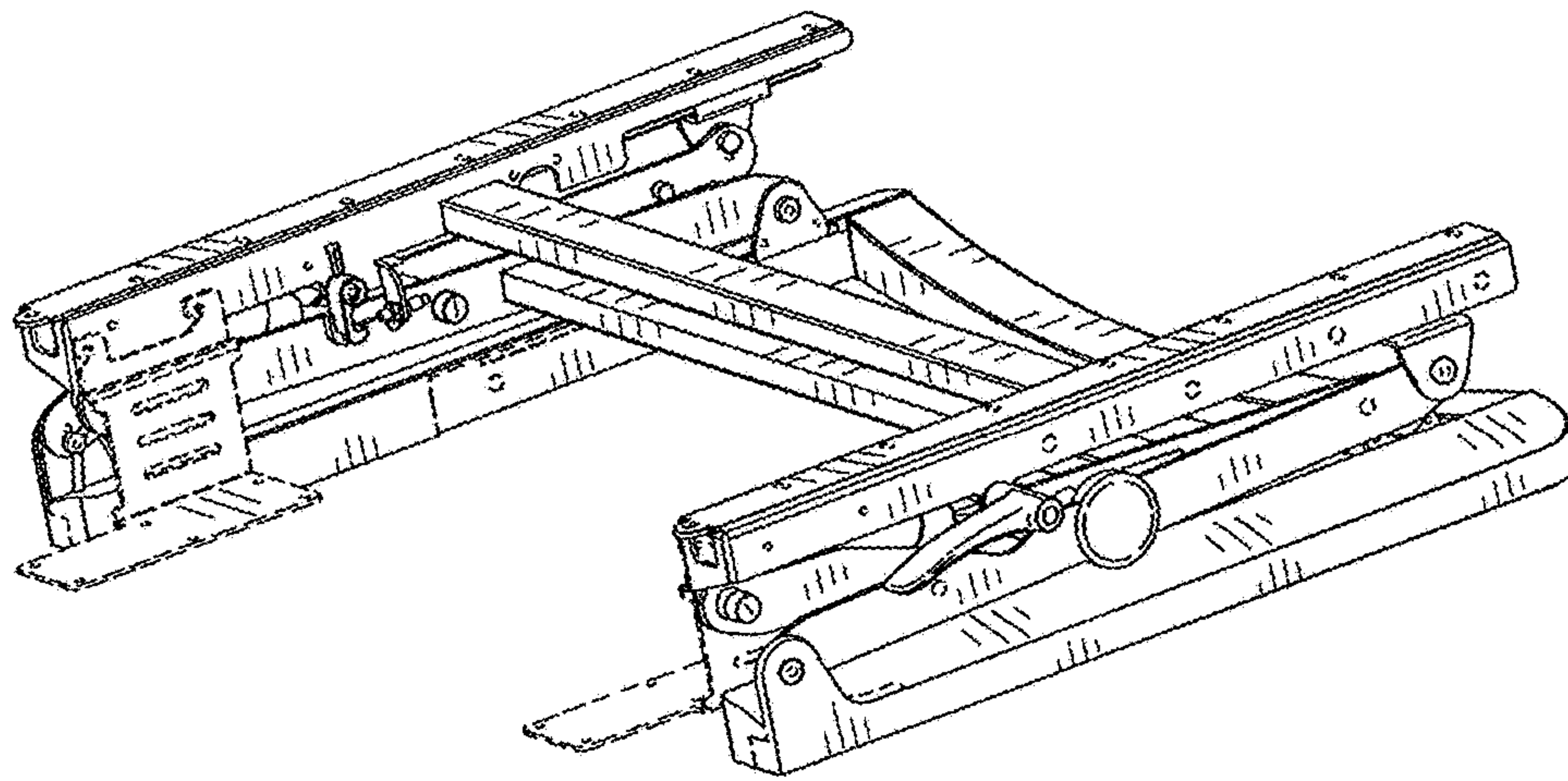


FIG. 2

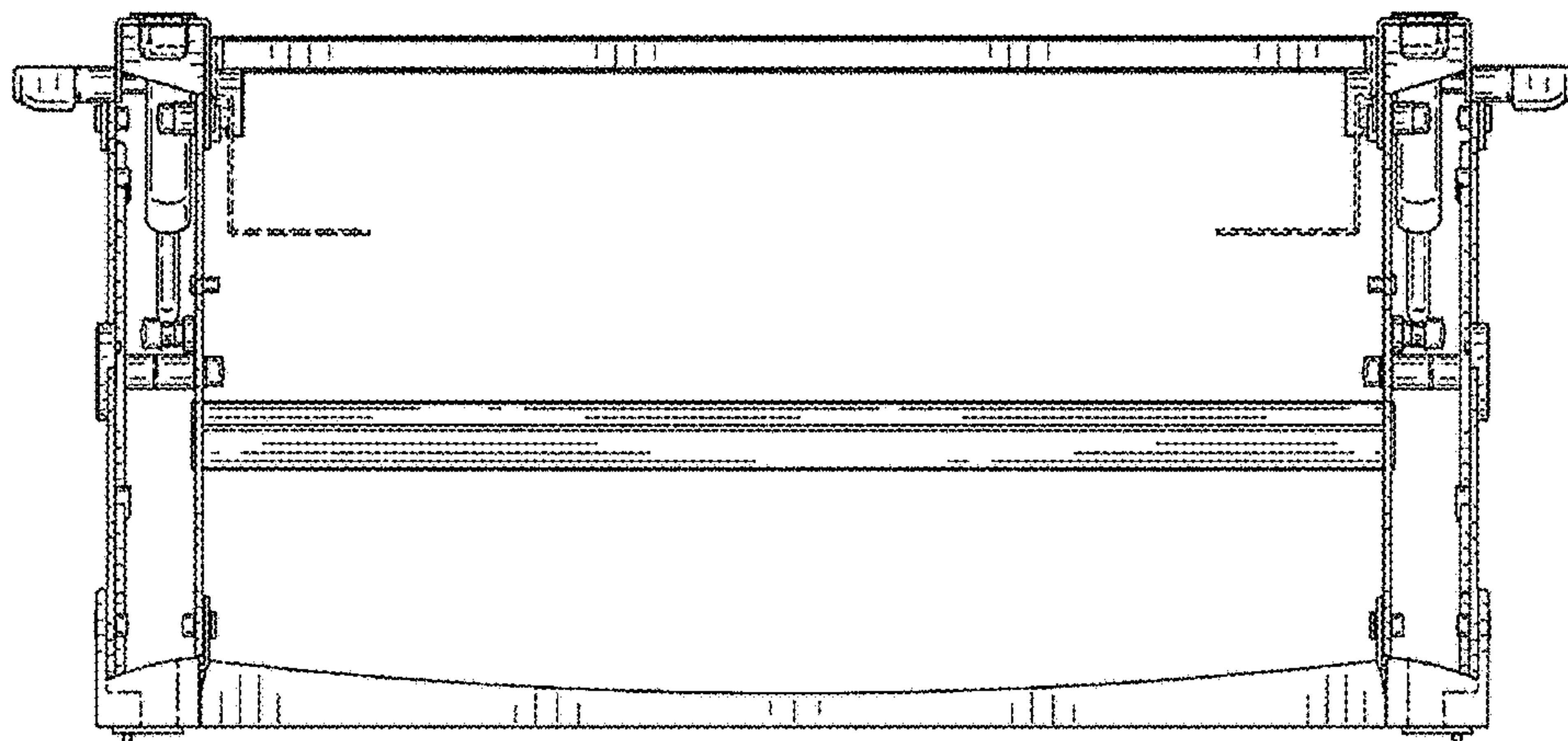


FIG. 3

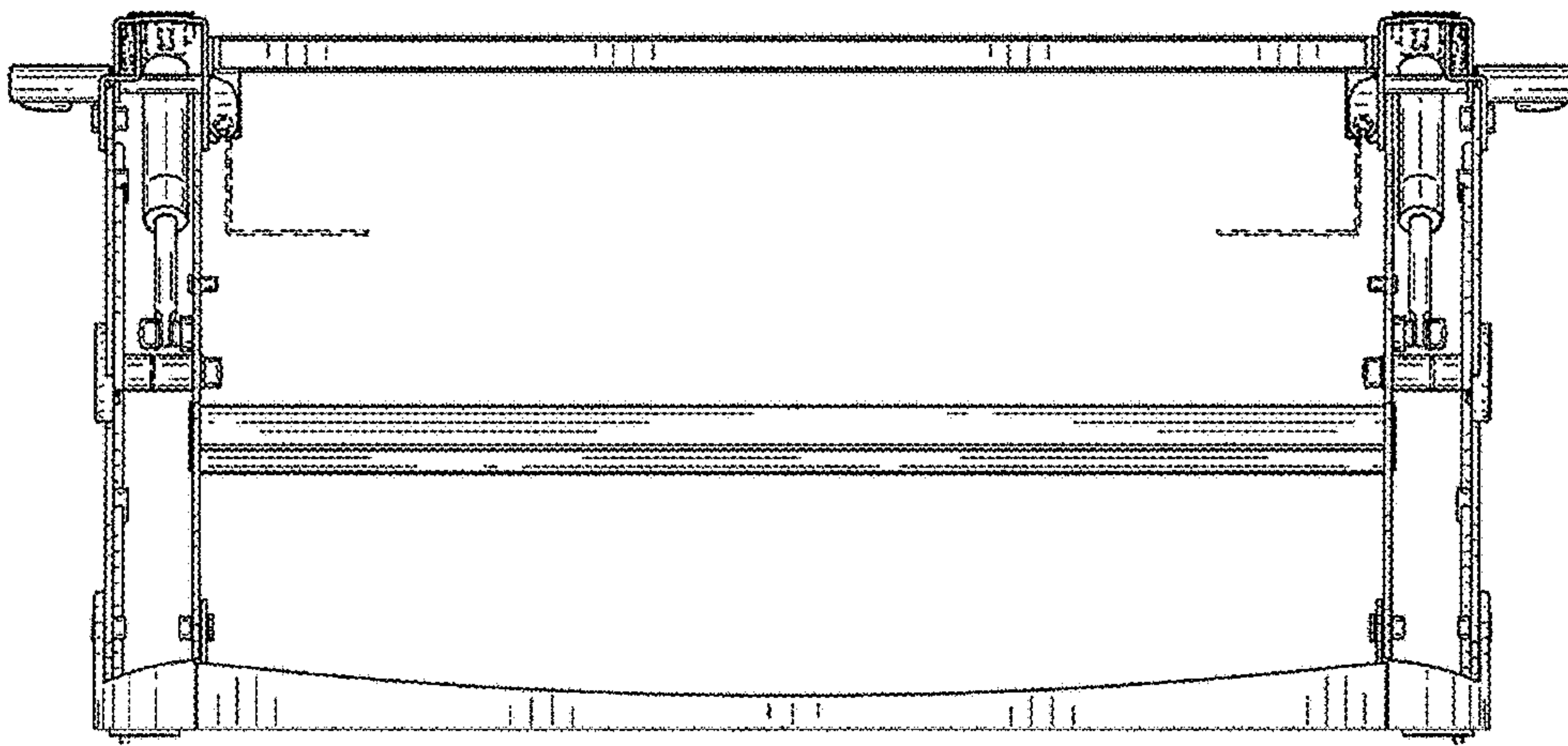


FIG. 4

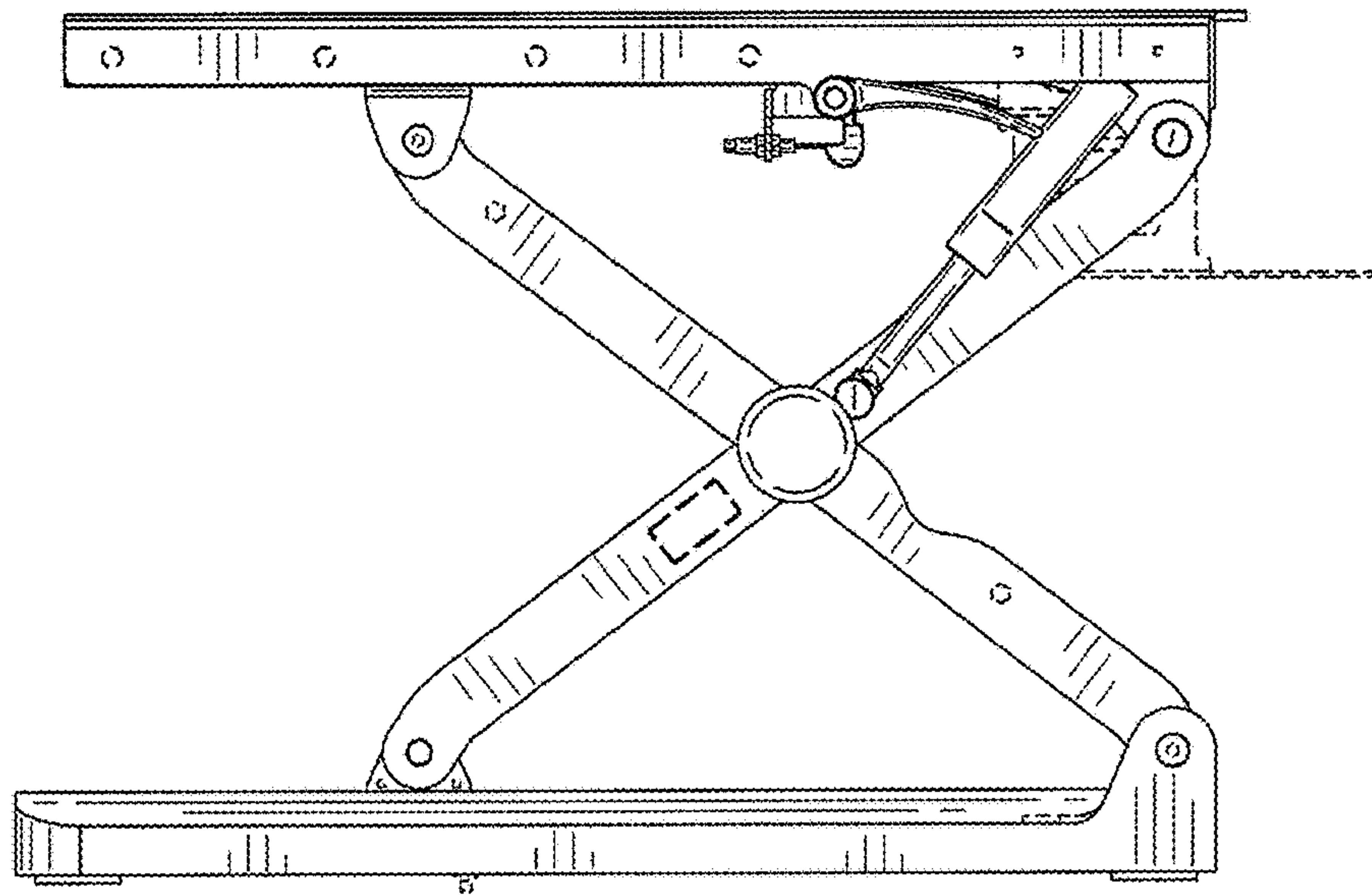


FIG. 5

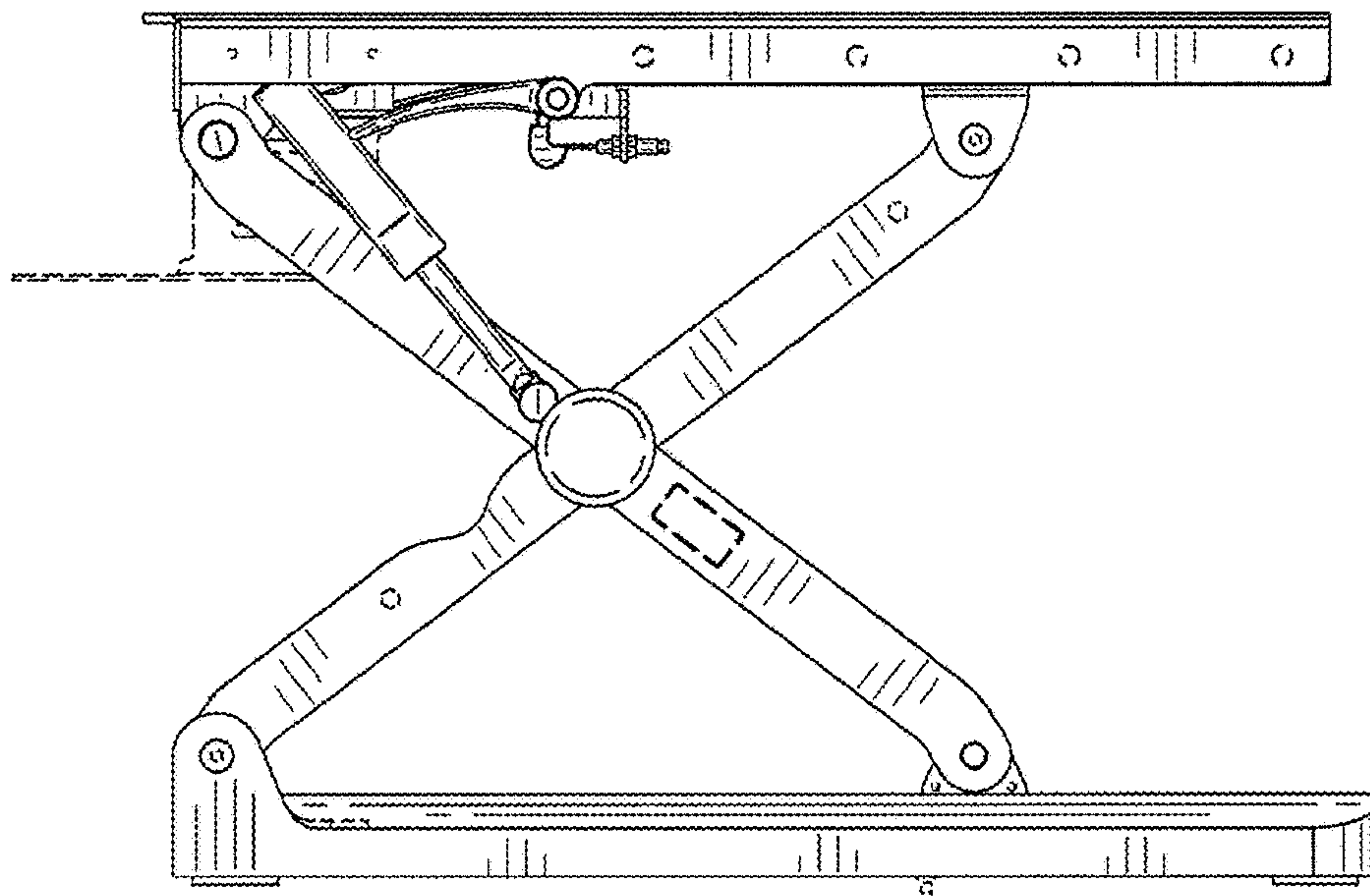


FIG. 6

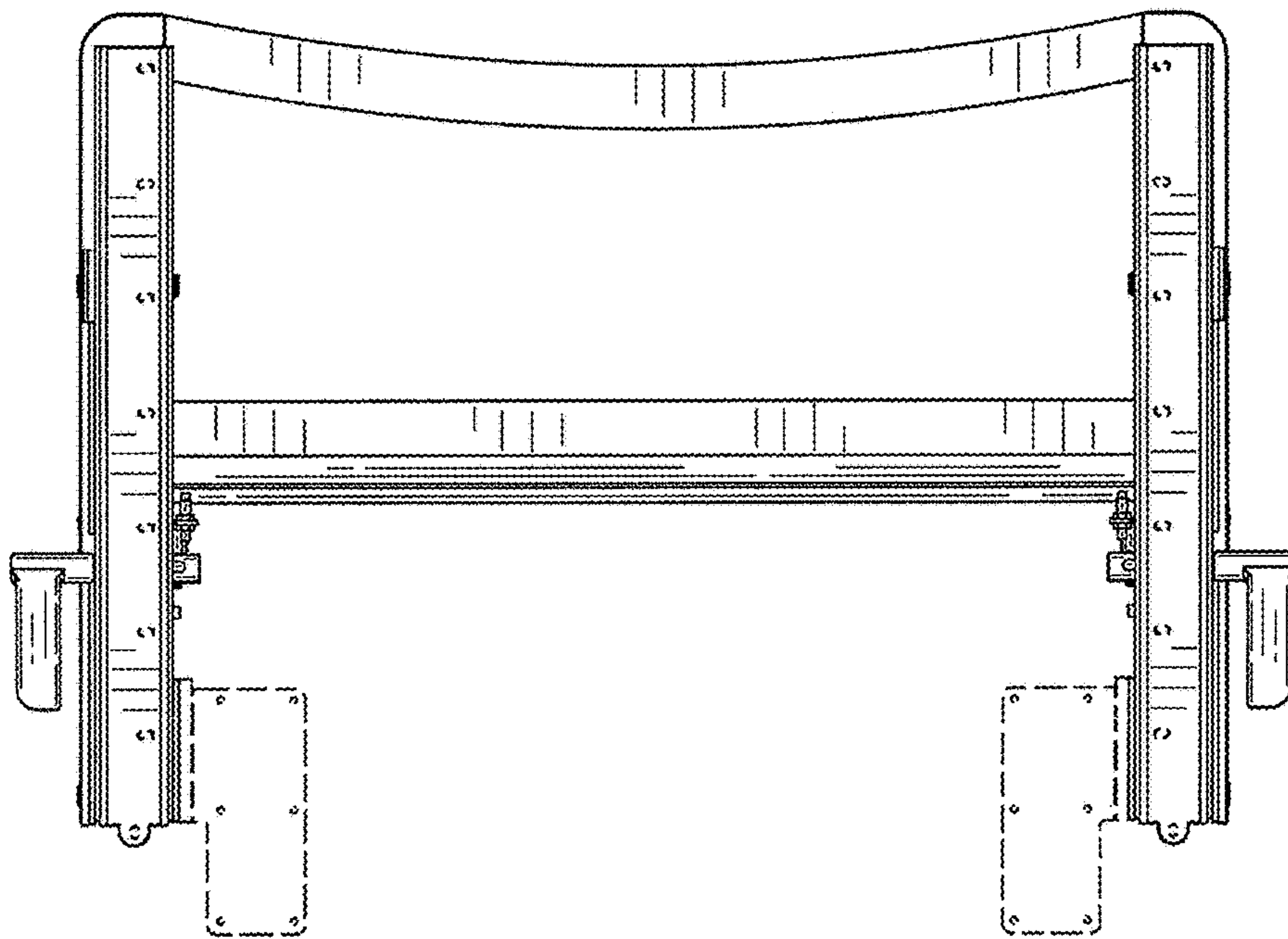


FIG. 7

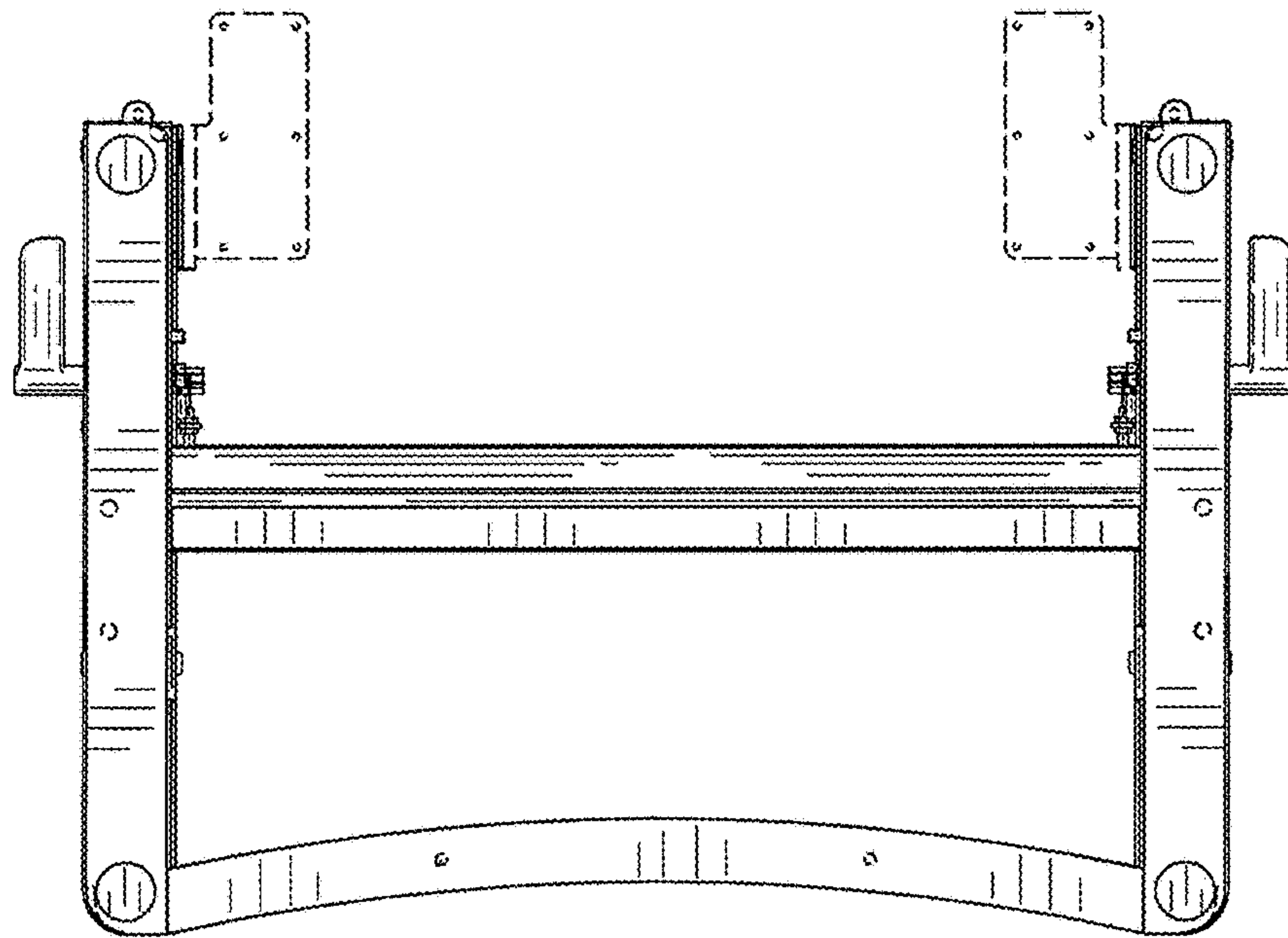


FIG. 8

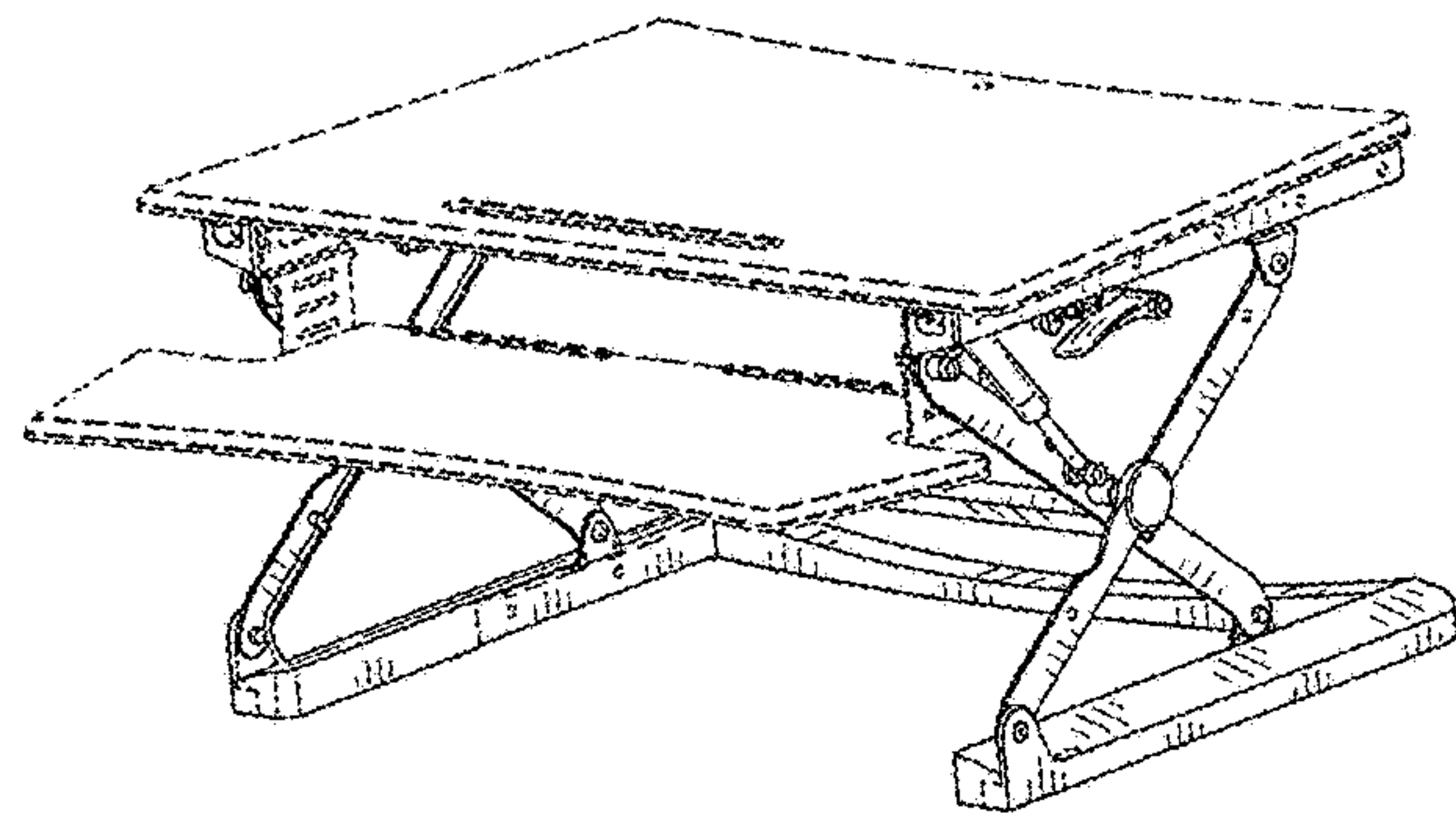


FIG. 9