



US00D792415S

(12) **United States Design Patent** (10) **Patent No.:** **US D792,415 S**
Tsai (45) **Date of Patent:** **** Jul. 18, 2017**

(54) **DESKTOP MOUNT FOR A MOBILE ELECTRONIC DEVICE**

(71) Applicant: **mophie inc.**, Tustin, CA (US)

(72) Inventor: **Denny Tsai**, Temple City, CA (US)

(73) Assignee: **mophie, inc.**, Tustin, CA (US)

(**) Term: **15 Years**

(21) Appl. No.: **29/566,415**

(22) Filed: **May 30, 2016**

(51) **LOC (10) Cl.** **08-07**

(52) **U.S. Cl.**
USPC **D14/447**

(58) **Field of Classification Search**
USPC D14/447, 432, 434, 439, 440, 451, 452,
D14/457, 239; D12/415; D6/406.3,
D6/406.4, 406.5, 406.6; D8/363, 373,
D8/380
CPC A47B 21/04; A47B 2097/006; A47B
2097/005; A47B 2023/049; A45C
2011/002; A45C 2011/003; F16M
2200/00; F16M 13/00

See application file for complete search history.

(56) **References Cited**

U.S. PATENT DOCUMENTS

D645,462 S * 9/2011 Choi D14/253
D649,153 S * 11/2011 Symons D14/447
D692,435 S * 10/2013 Bremenkamp D14/447
D703,673 S * 4/2014 Kittlaus D14/447
D703,676 S * 4/2014 Smith D14/447

D722,317 S * 2/2015 Parameshwara D14/447
D752,596 S * 3/2016 Choi D14/447
D760,723 S * 7/2016 Won D14/447
D760,724 S * 7/2016 Kang D14/447
D762,650 S * 8/2016 Dang D14/434
D772,216 S * 11/2016 Lau D13/108
D777,675 S * 1/2017 Miller D13/144

* cited by examiner

Primary Examiner — Angela J Lee

(74) *Attorney, Agent, or Firm* — Knobbe, Martens, Olson & Bear, LLP

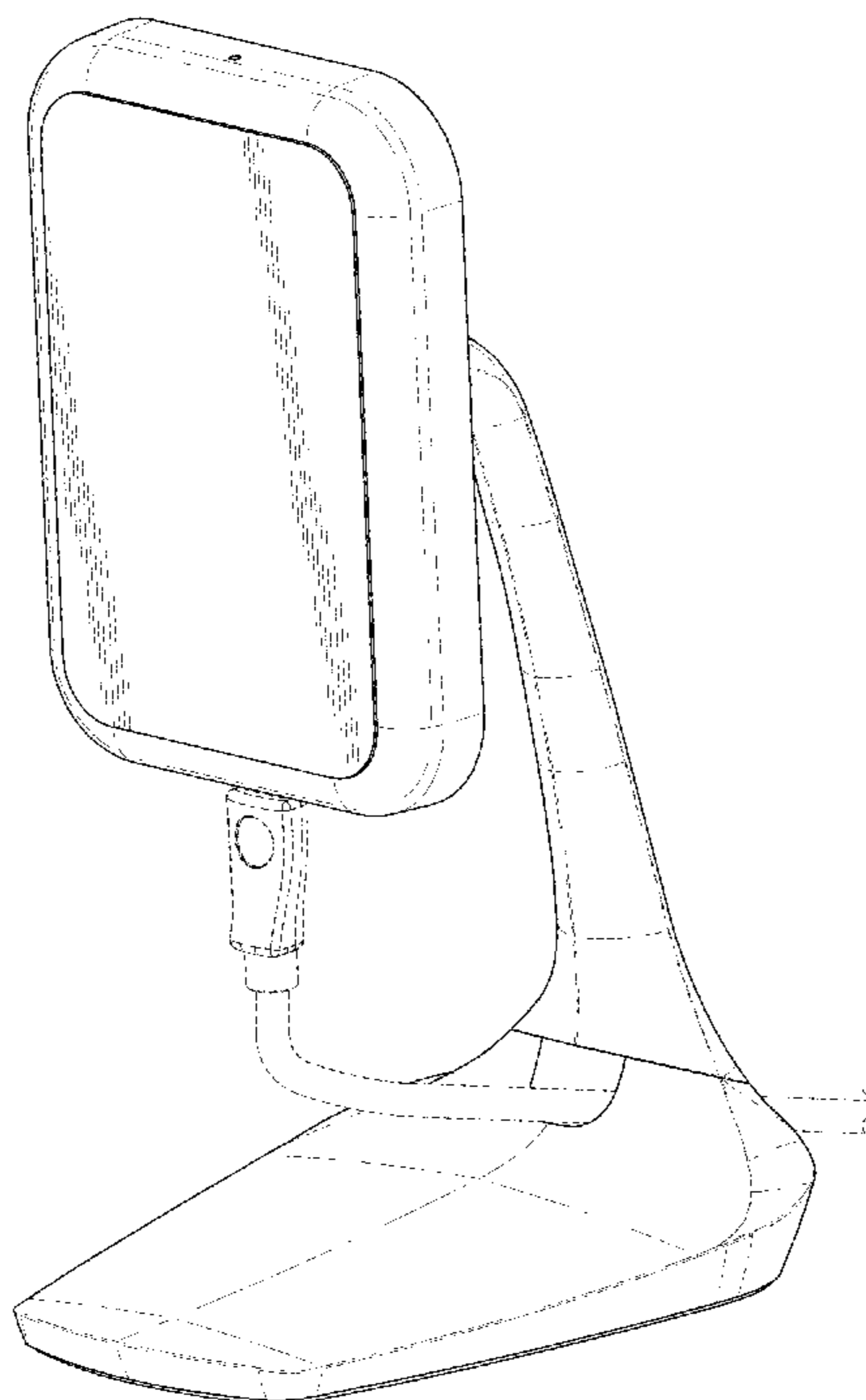
(57) **CLAIM**

The ornamental design for a desktop mount for a mobile electronic device, as shown and described.

DESCRIPTION

FIG. 1 is a top-front perspective view of the design for a desktop mount for a mobile electronic device;
FIG. 2 is a top-rear perspective view thereof;
FIG. 3 is an alternate top-front perspective view thereof, optionally illustrating a mobile electronic device mounted on the desktop mount;
FIG. 4 is a front view thereof;
FIG. 5 is a rear view thereof;
FIG. 6 is a left-side view thereof;
FIG. 7 is a top view thereof; and,
FIG. 8 is a bottom view thereof.
The broken line portions in the drawings are shown to illustrate environment only and form no part of the claimed design.

1 Claim, 8 Drawing Sheets



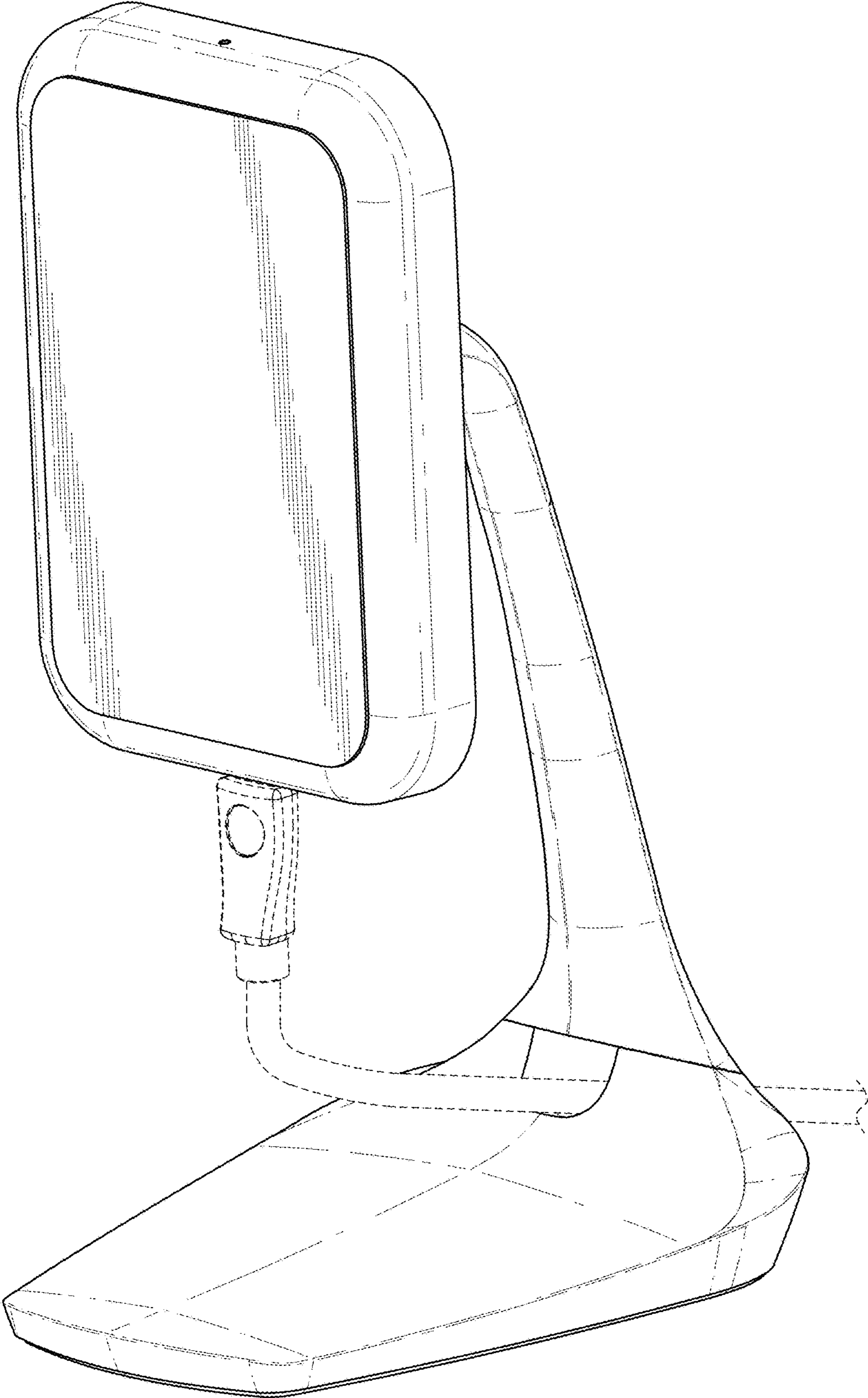


FIG. 1

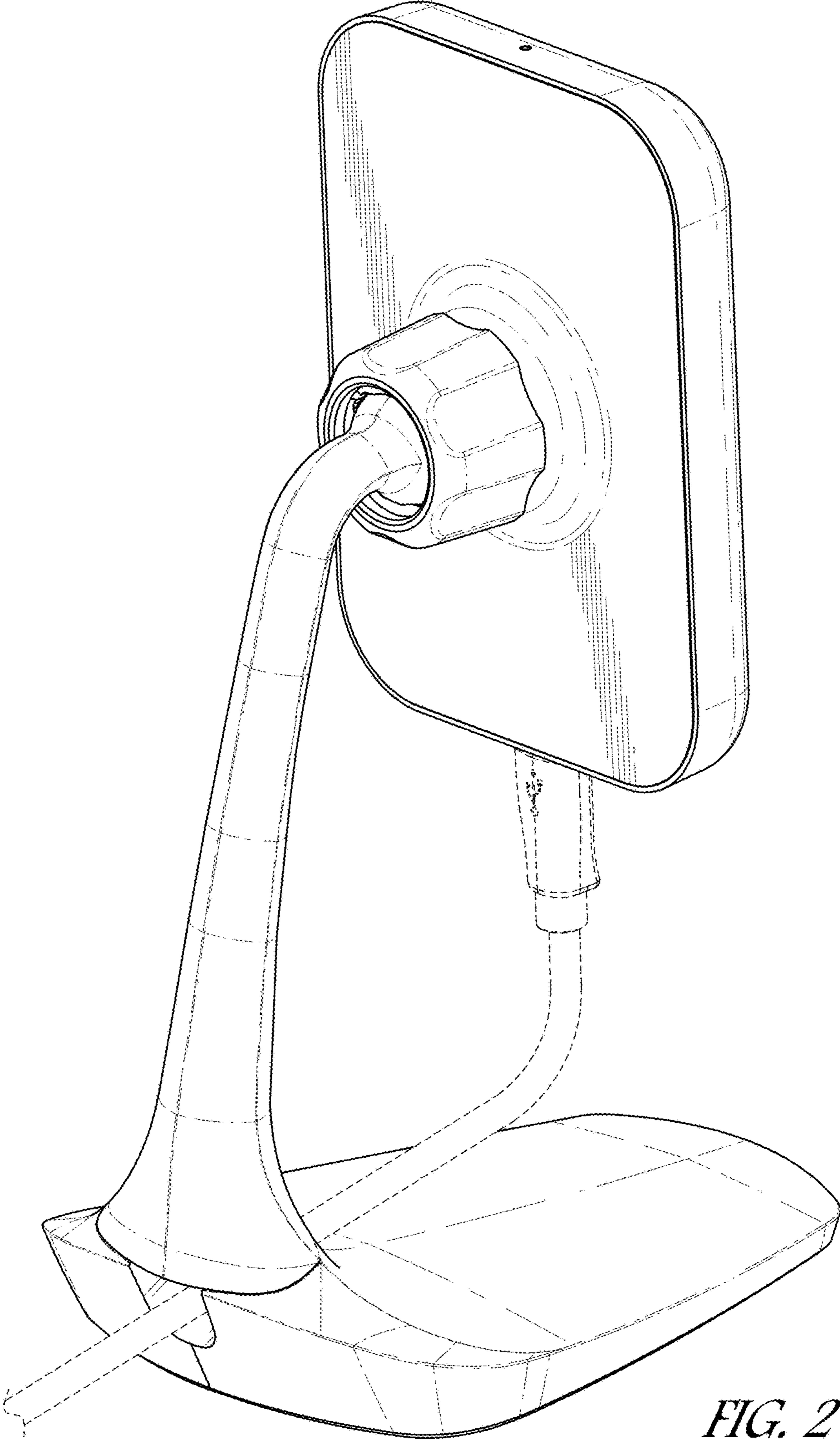


FIG. 2

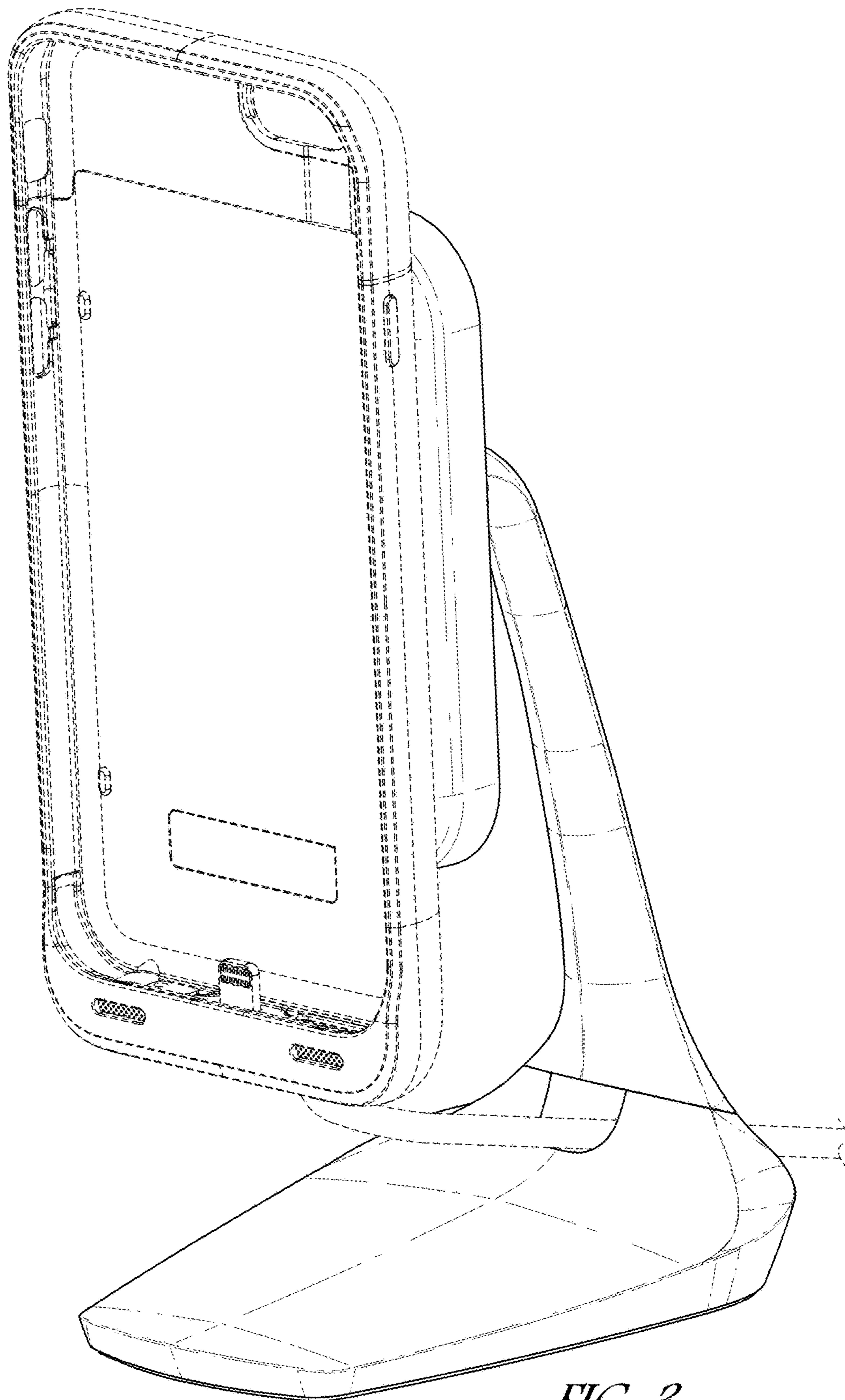


FIG. 3

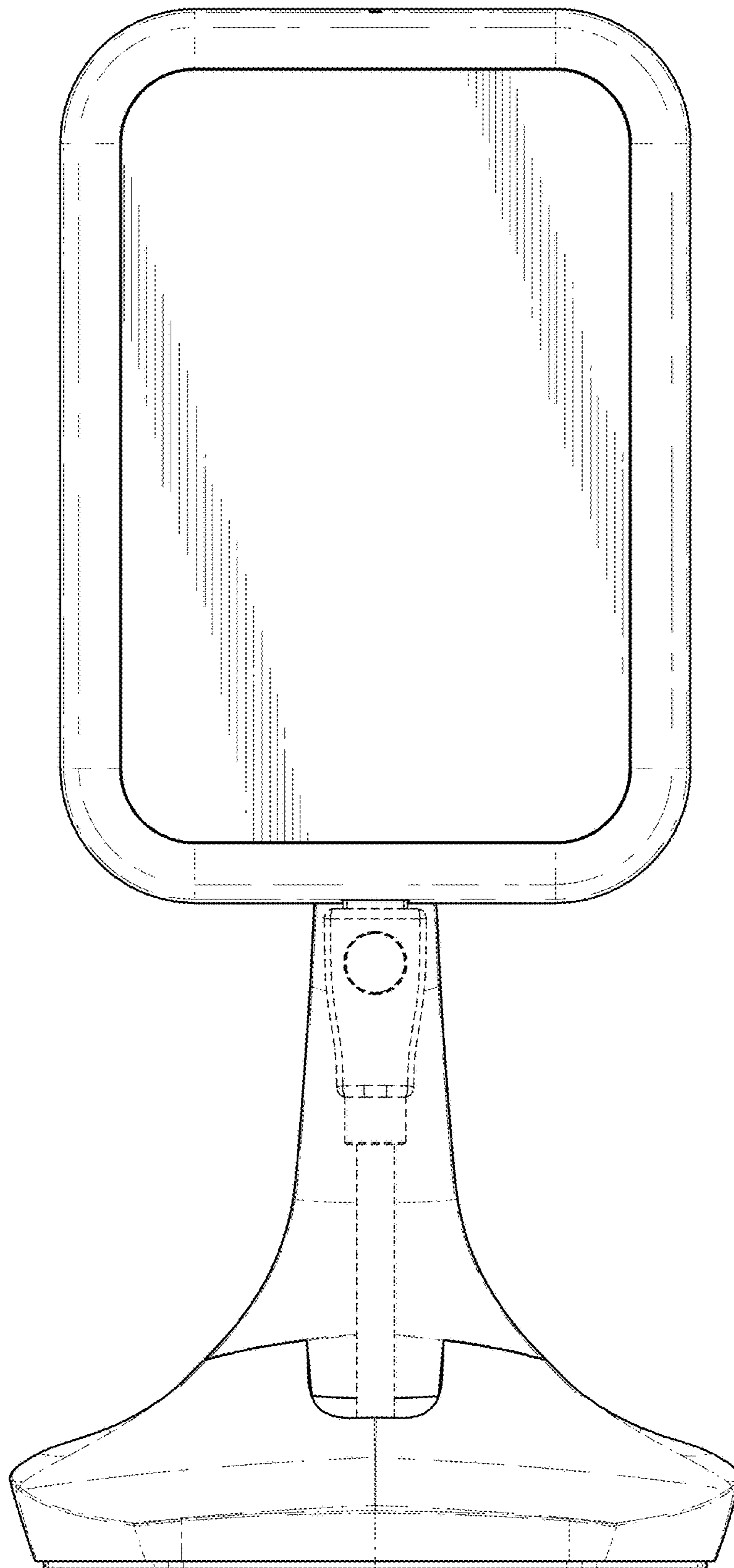


FIG. 4

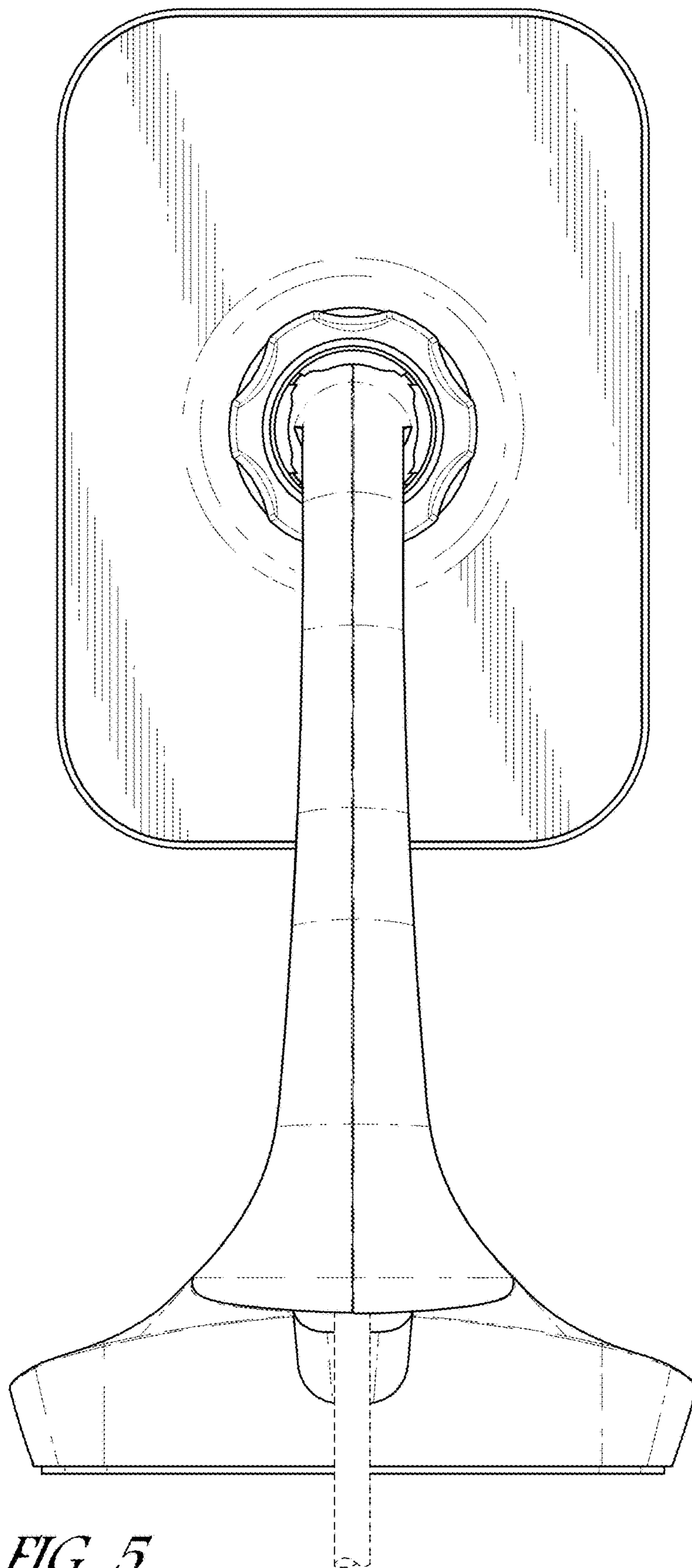


FIG. 5

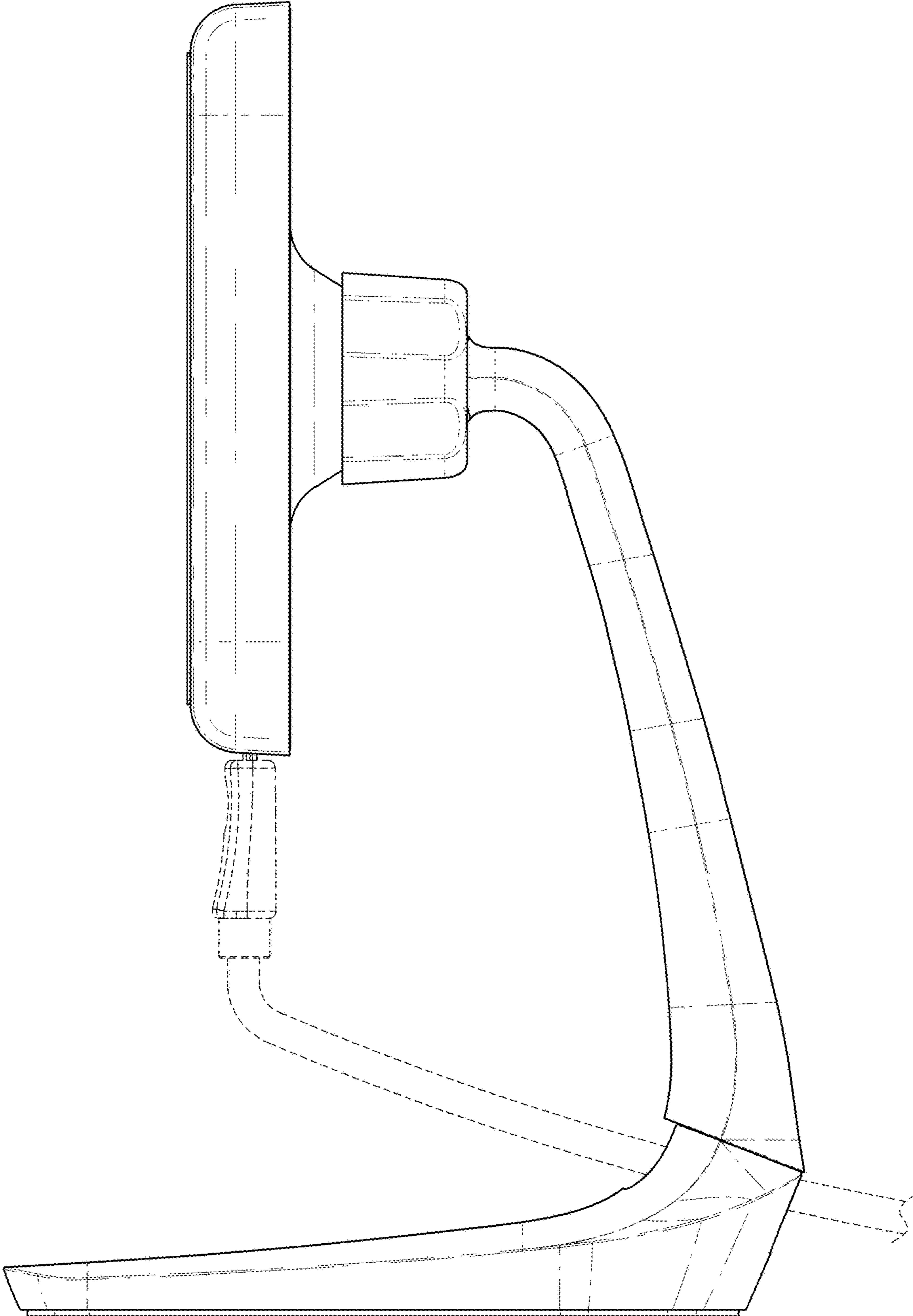


FIG. 6

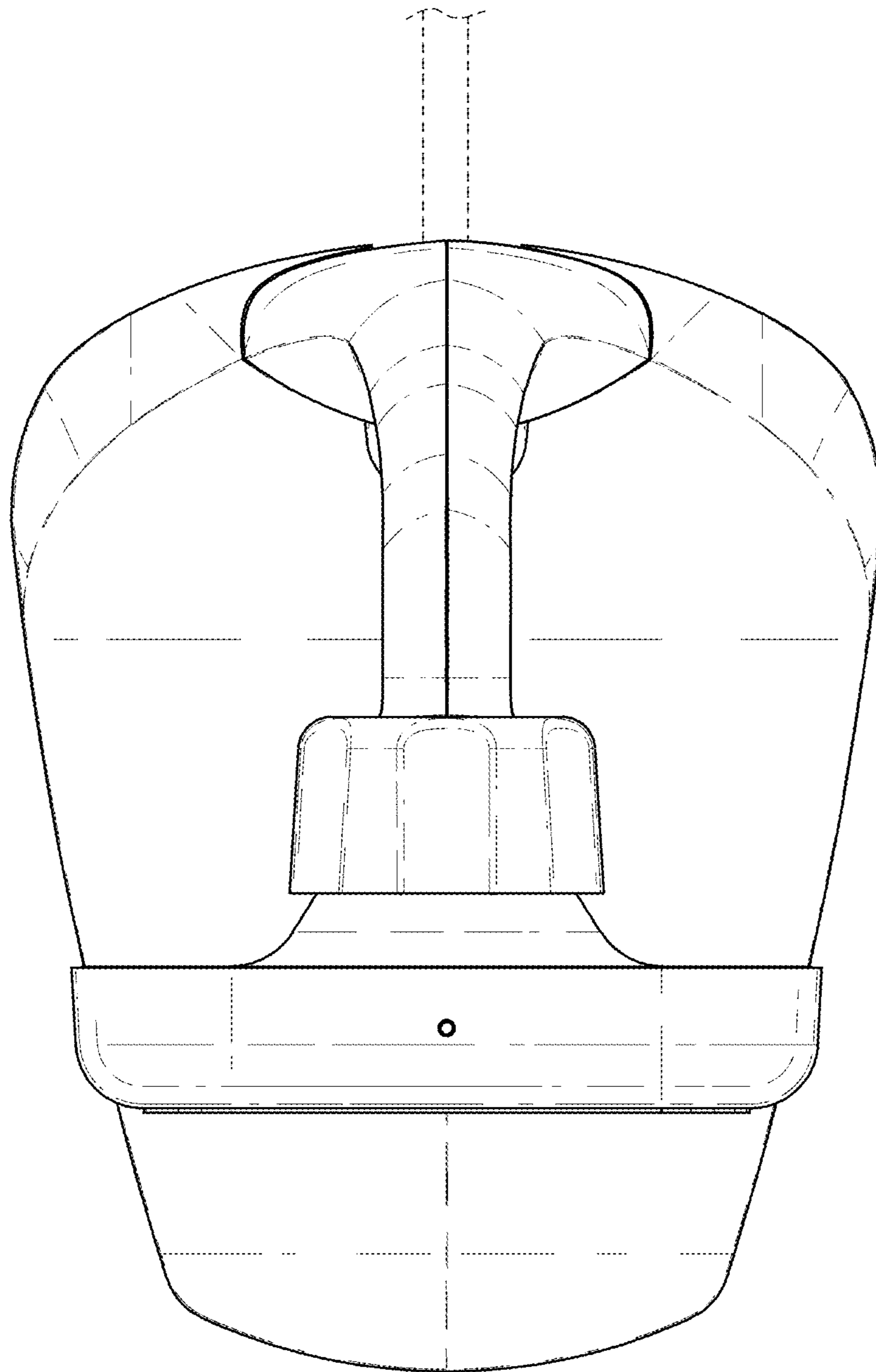


FIG. 7

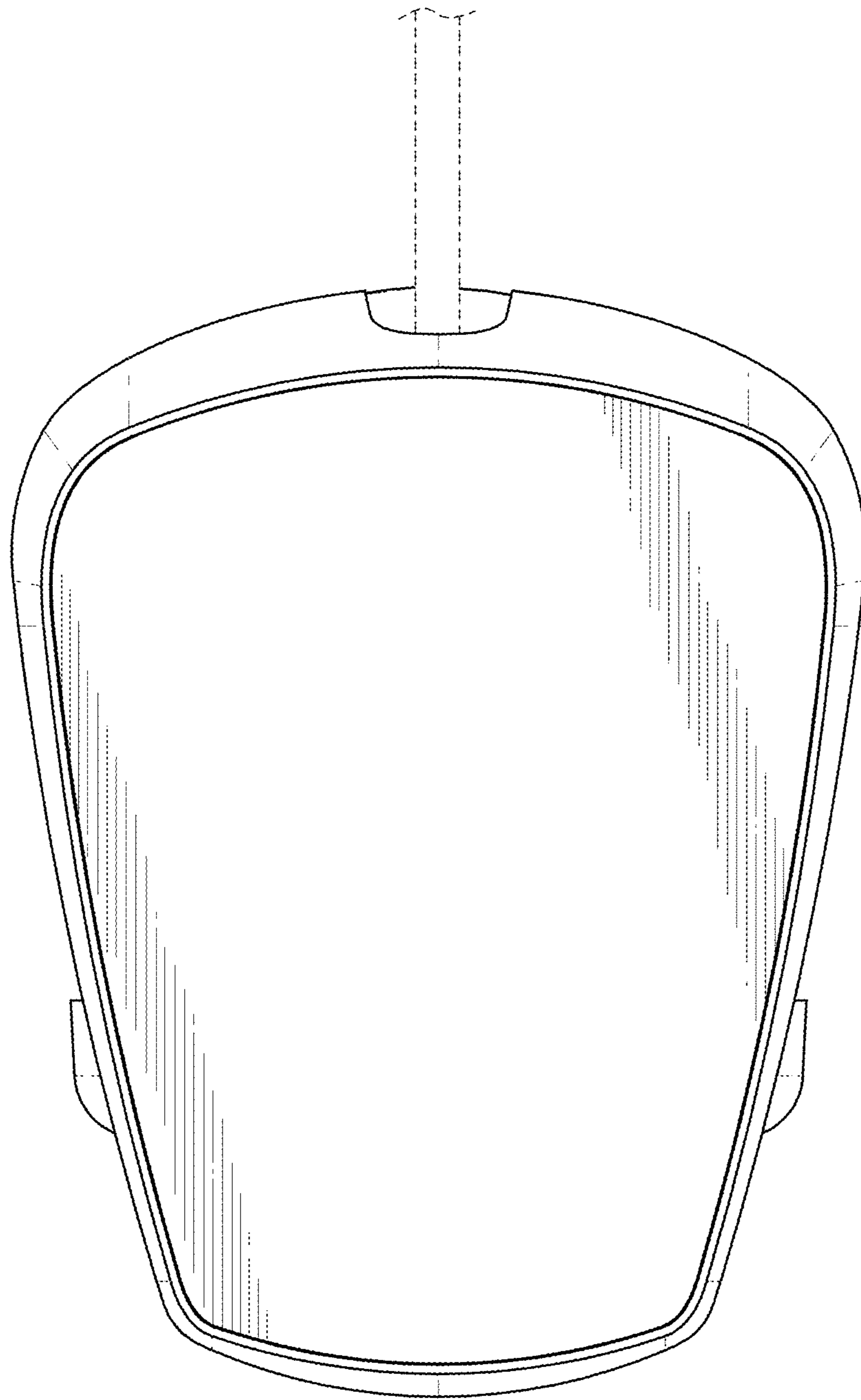


FIG. 8