



US00D792414S

(12) **United States Design Patent** (10) **Patent No.:** **US D792,414 S**
Floersch et al. (45) **Date of Patent:** **** Jul. 18, 2017**

(54) **TERMINAL DISPLAY STAND WITH ARTICULATABLE JOINTS**

(71) Applicant: **Engineered Network Systems, LLC**, Burnsville, MN (US)

(72) Inventors: **Peter J. Floersch**, Lakeville, MN (US); **Stephen A. Nistler**, Eagan, MN (US); **Aaron Z. McLaughlin**, Saint Paul, MN (US); **Paul M. Smith**, Apple Valley, MN (US)

(73) Assignee: **ENGINEERED NETWORKS SYSTEMS, LLC**, Burnsville, MN (US)

(**) Term: **15 Years**

(21) Appl. No.: **29/563,537**

(22) Filed: **May 5, 2016**

(51) **LOC (10) Cl.** **08-07**

(52) **U.S. Cl.**
USPC **D14/447**

(58) **Field of Classification Search**
USPC D14/447, 432, 434, 439, 440, 451, 452, D14/457, 239; D12/415; D6/406.3, D6/406.4, 406.5, 406.6; D8/363, 373, D8/380
CPC A47B 21/04; A47B 2097/006; A47B 2097/005; A47B 2023/049; A45C 2011/002; A45C 2011/003; F16M 2200/00; F16M 13/00
See application file for complete search history.

(56) **References Cited**

U.S. PATENT DOCUMENTS

D508,916 S *	8/2005	Lee	D14/434
D644,230 S *	8/2011	Lin	D14/447
D667,012 S *	9/2012	Chen	D14/447
D672,356 S *	12/2012	Quijano	D14/447
D687,832 S *	8/2013	Edwards	D14/447

D690,306 S *	9/2013	Malisse	D14/447
D705,234 S *	5/2014	Guran	D14/447
D708,187 S *	7/2014	Xiang	D14/447
9,267,638 B2	2/2016	Le Gette et al.		
D750,515 S *	3/2016	Ditges	D10/74
D759,002 S *	6/2016	Won	D14/239
D760,724 S *	7/2016	Kang	D14/447

(Continued)

Primary Examiner — Angela J Lee

(74) *Attorney, Agent, or Firm* — Haugen Law Firm PLLP

(57) **CLAIM**

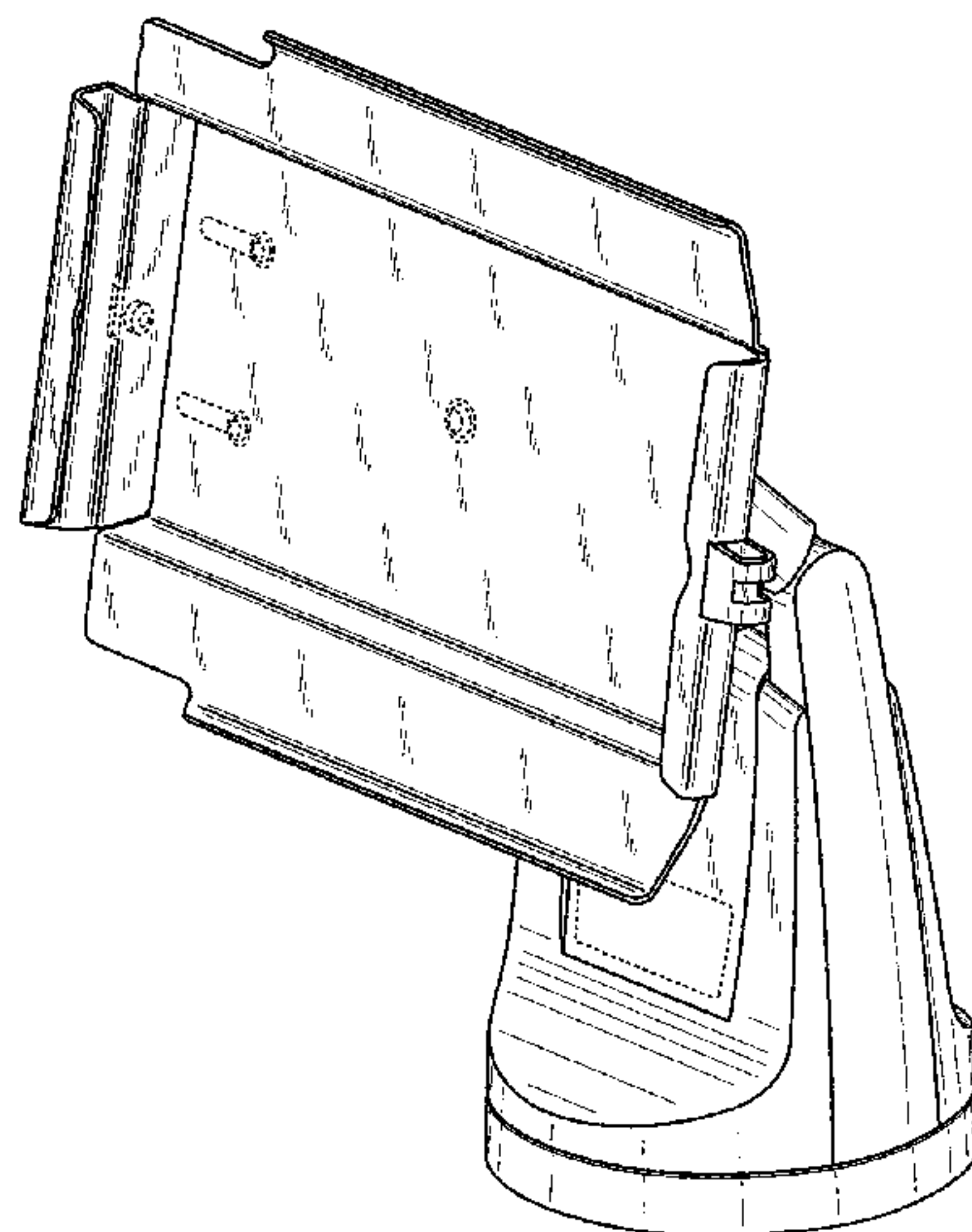
The ornamental design for a terminal display stand with articulatable joints, as shown and described.

DESCRIPTION

FIG. 1 is a front top perspective view of the terminal display stand with articulatable joints;
FIG. 2 is a front perspective view of the terminal display stand with articulatable joints absent the terminal environmental structure;
FIG. 3 is a rear top perspective view of the terminal display stand with articulatable joints;
FIG. 4 is a rear bottom perspective view of the terminal display stand with articulatable joints;
FIG. 5 is a front elevational view of the terminal display stand with articulatable joints;
FIG. 6 is a rear elevational view of the terminal display stand with articulatable joints;
FIG. 7 is a left side elevational view of the terminal display stand with articulatable joints;
FIG. 8 is a right side elevational view of the terminal display stand with articulatable joints;
FIG. 9 is a top plan view of the terminal display stand with articulatable joints; and,
FIG. 10 is a bottom plan view of the terminal display stand with articulatable joints.

The broken line showing is for illustrative purposes only, and forms no part of the claimed design.

1 Claim, 9 Drawing Sheets



(56)

References Cited

U.S. PATENT DOCUMENTS

D772,739 S * 11/2016 Browning D10/74
D778,277 S * 2/2017 Haller D14/336

* cited by examiner

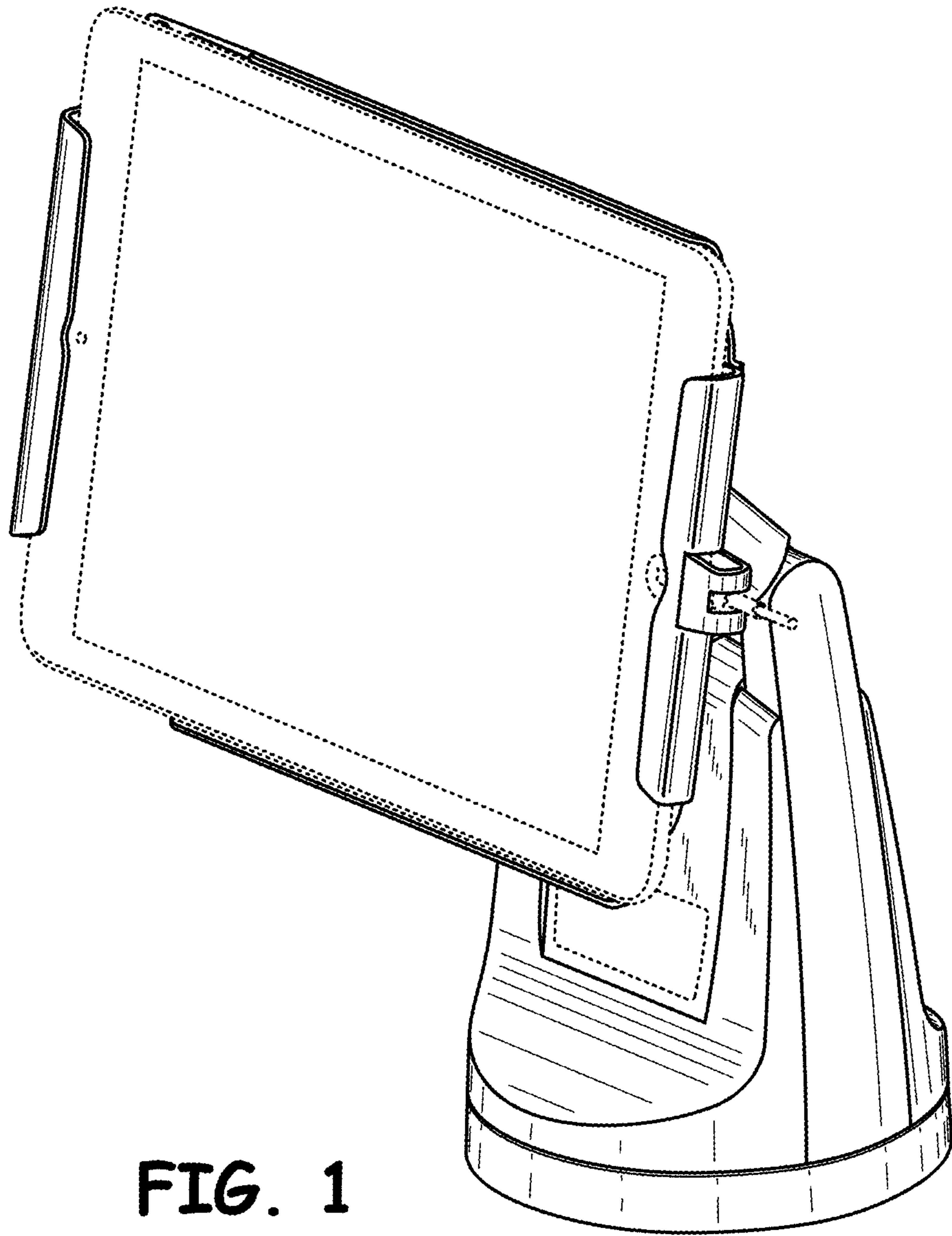


FIG. 1

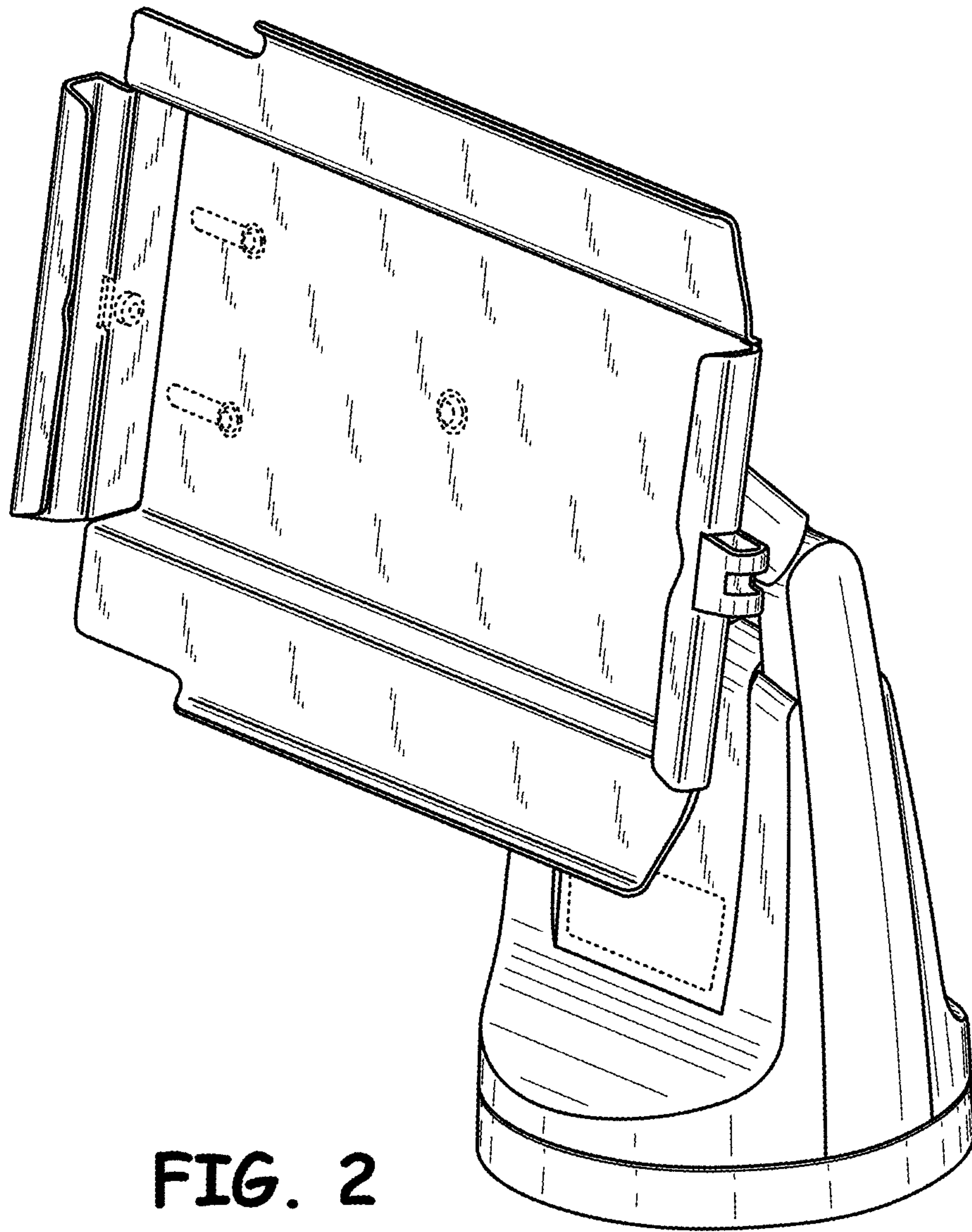


FIG. 2

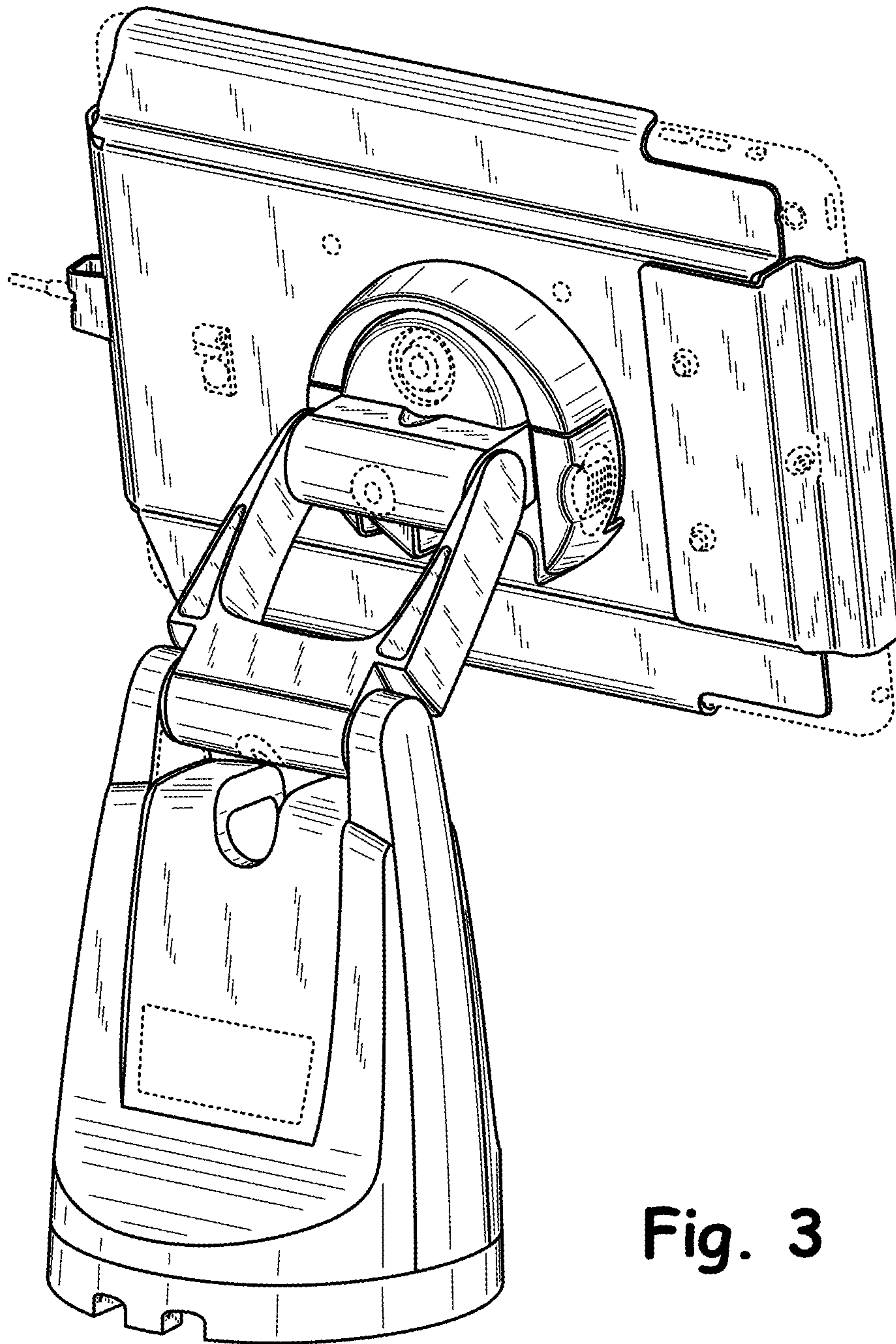


Fig. 3

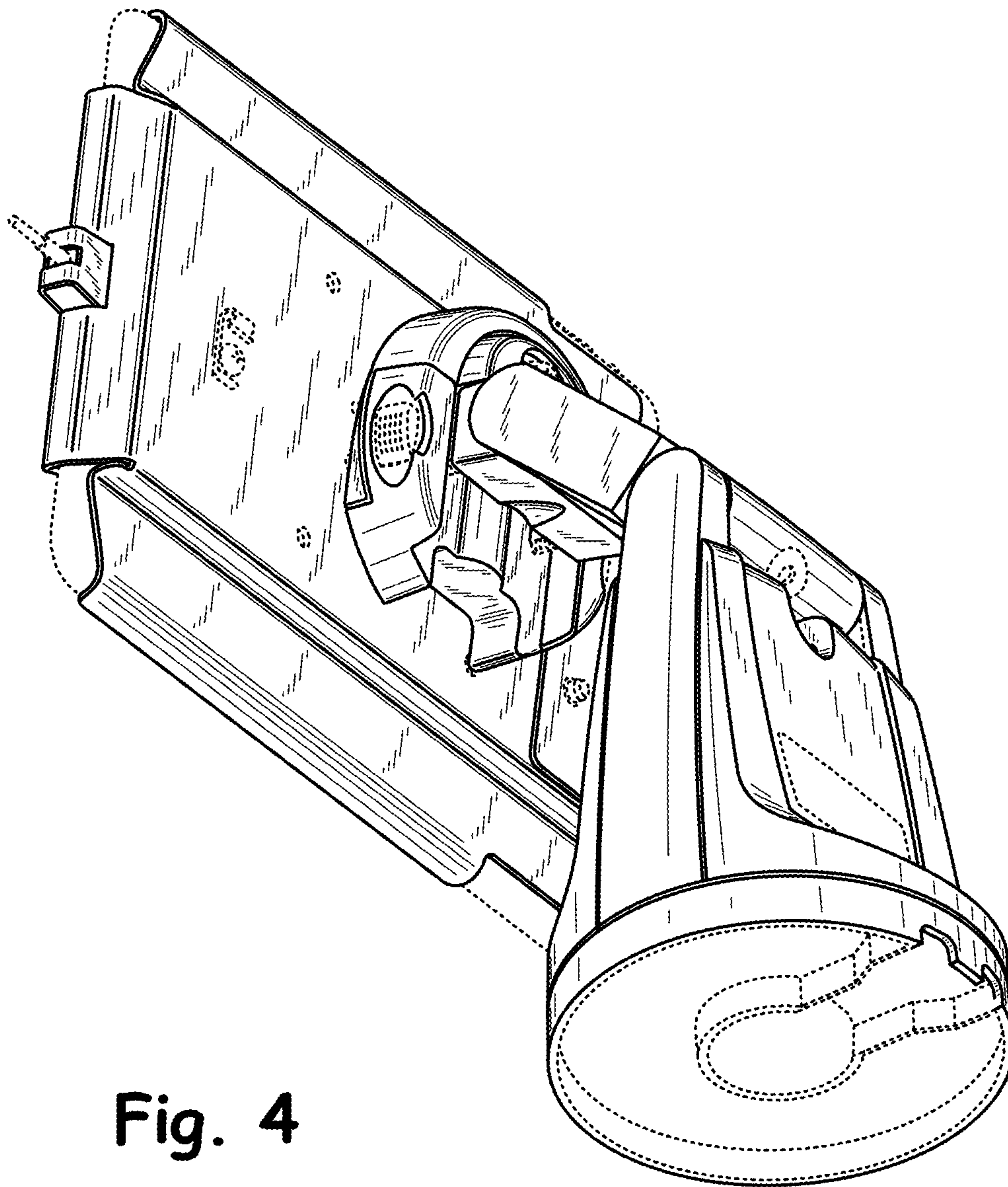


Fig. 4

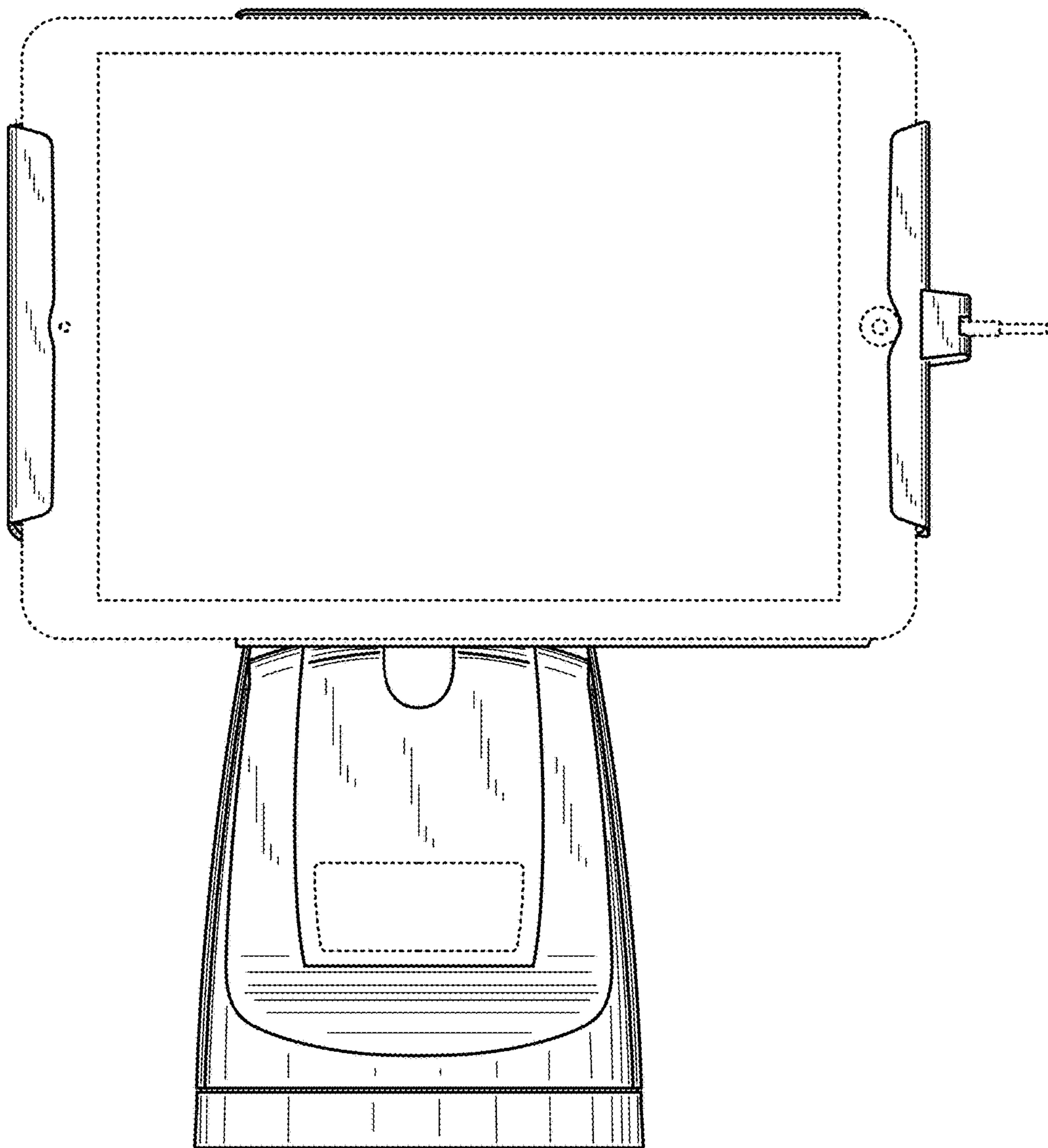


Fig. 5

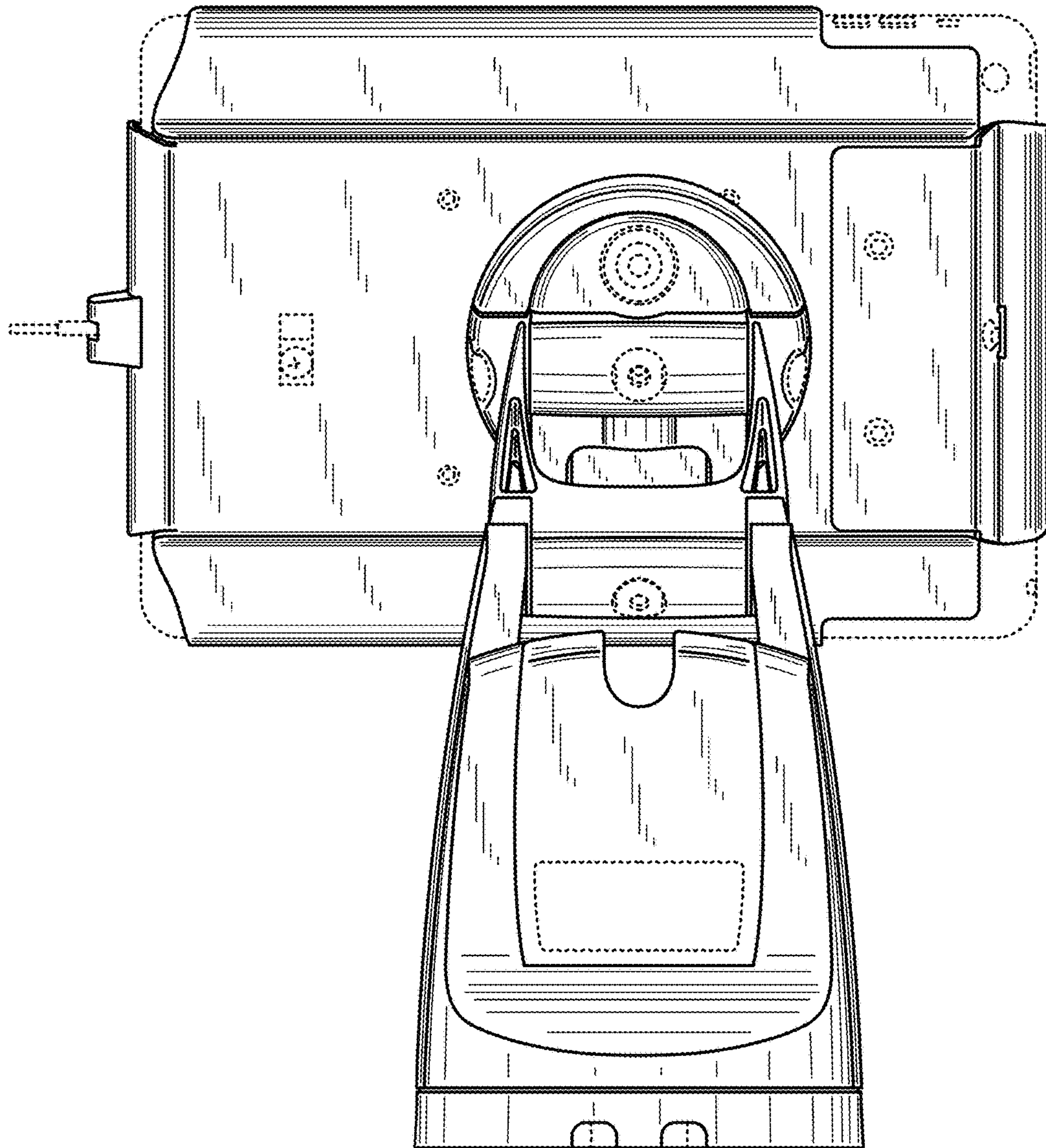


Fig. 6

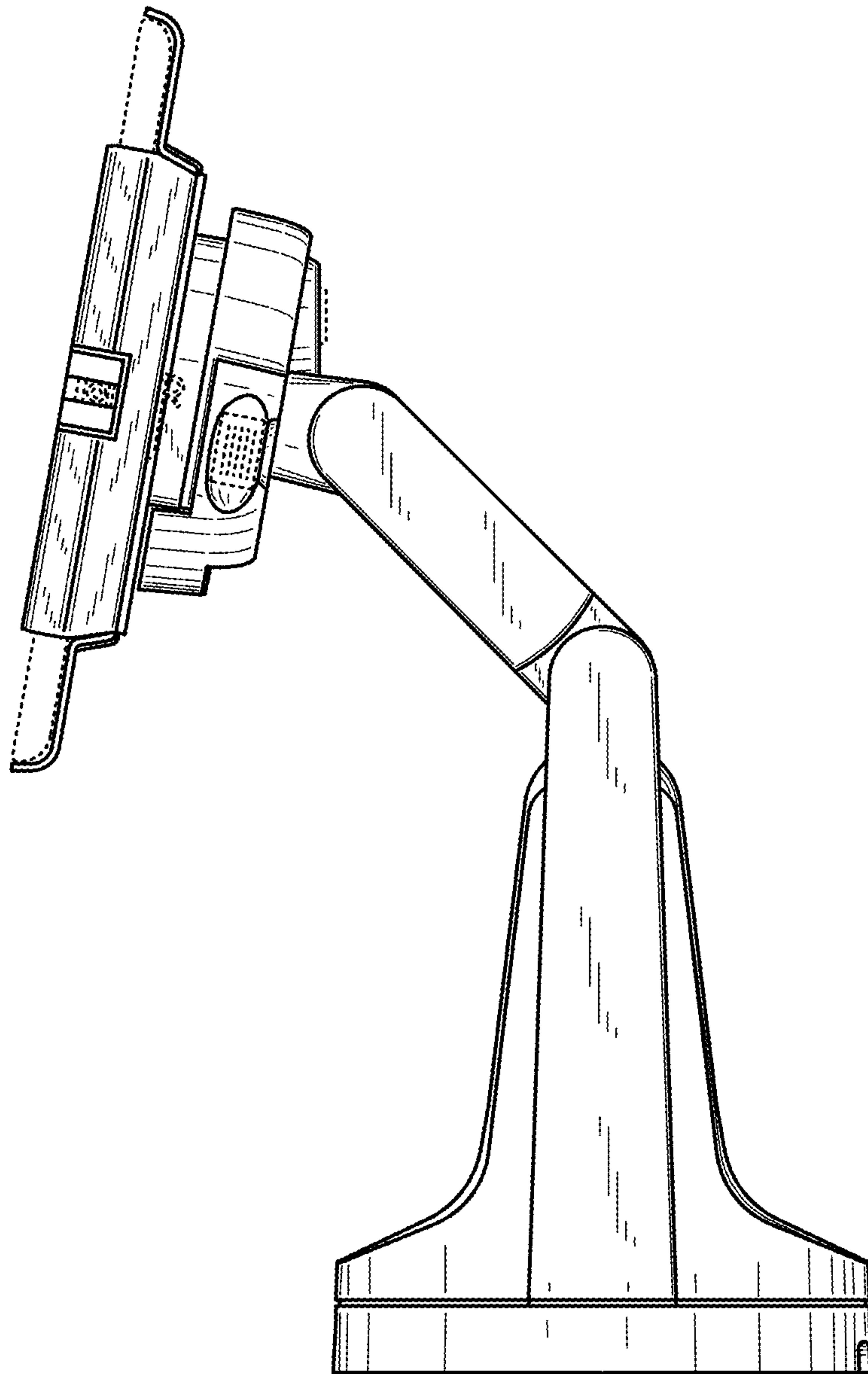


Fig. 7

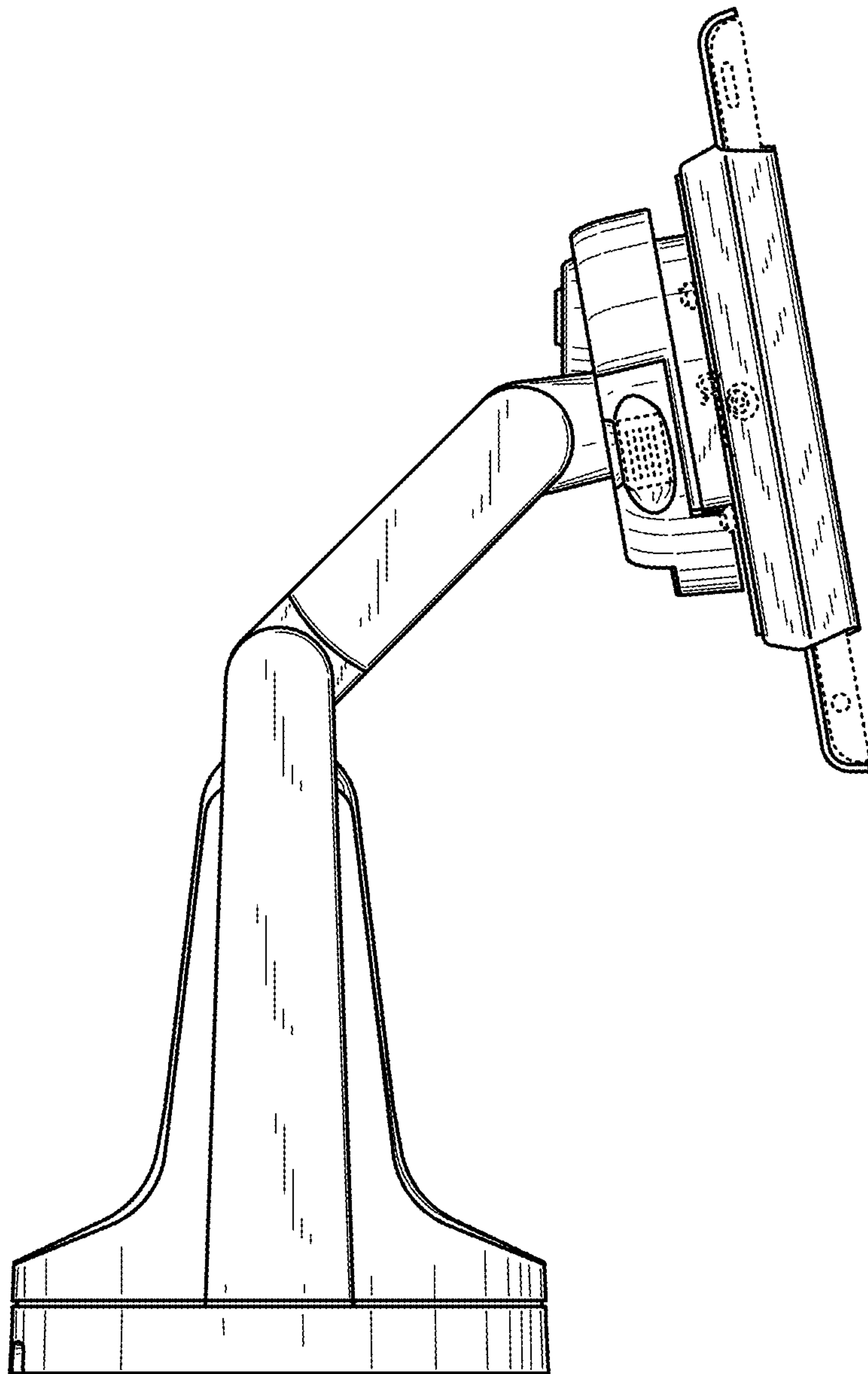


Fig. 8

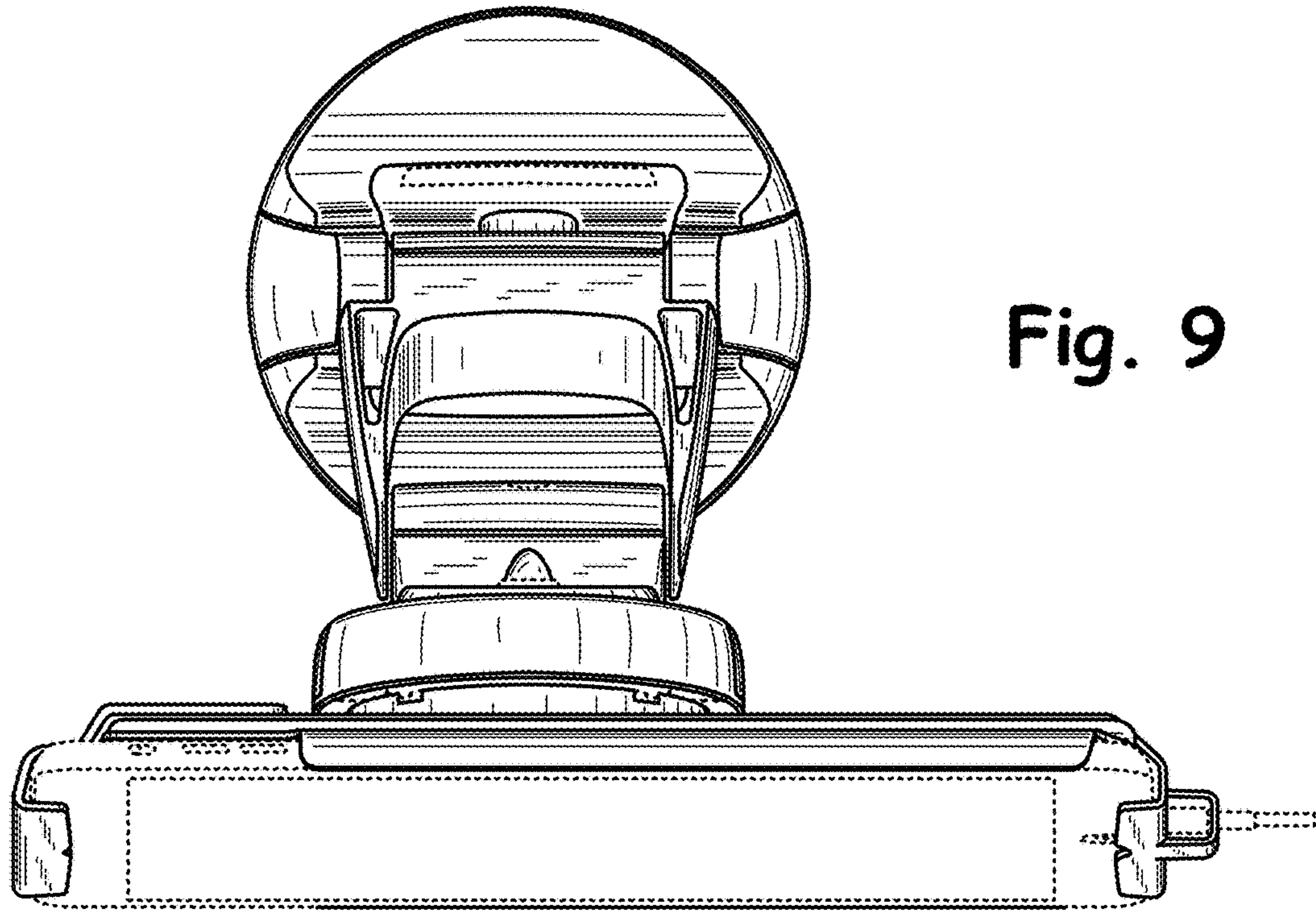


Fig. 9

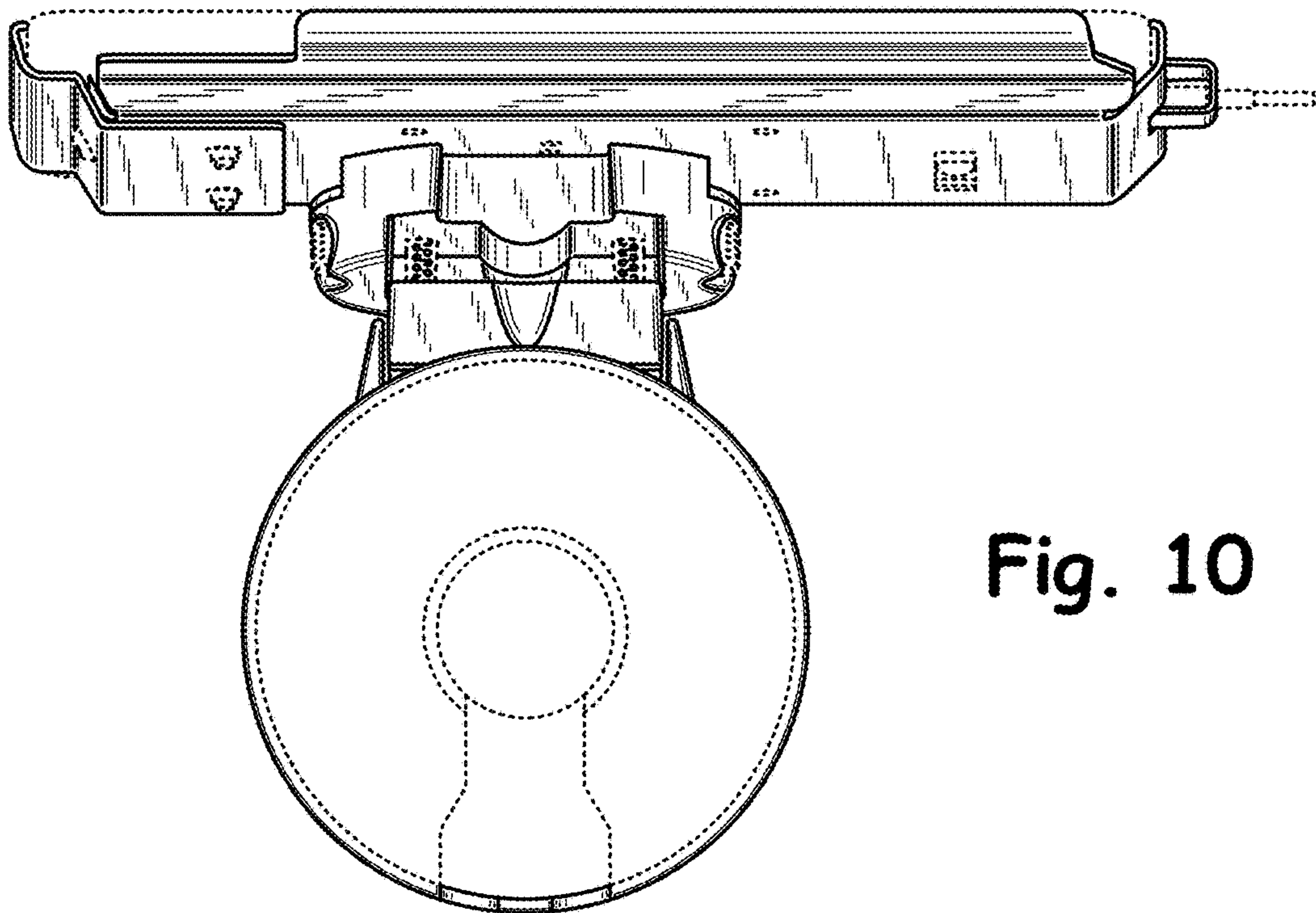


Fig. 10