



US00D792413S

(12) **United States Design Patent**
Floersch et al.

(10) **Patent No.:** **US D792,413 S**
(45) **Date of Patent:** **** Jul. 18, 2017**

- (54) **TERMINAL DISPLAY STAND**
- (71) Applicant: **Engineered Network Systems, LLC**,
Burnsville, MN (US)
- (72) Inventors: **Peter J. Floersch**, Lakeville, MN (US);
Stephen A. Nistler, Eagan, MN (US);
Aaron Z. Mclaughlin, Saint Paul, MN
(US); **Paul M. Smith**, Apple Valley,
MN (US)
- (73) Assignee: **ENGINEERED NETWORK
SYSTEMS, LLC**, Burnsville, MN (US)
- (**) Term: **15 Years**
- (21) Appl. No.: **29/563,533**
- (22) Filed: **May 5, 2016**
- (51) **LOC (10) Cl.** **08-07**
- (52) **U.S. Cl.**
USPC **D14/447**
- (58) **Field of Classification Search**
USPC D14/447, 432, 434, 439, 440, 451, 452,
D14/457, 239; D12/415; D6/406.3,
D6/406.4, 406.5, 406.6; D8/363, 373,
D8/380
CPC A47B 21/04; A47B 2097/006; A47B
2097/005; A47B 2023/049; A45C
2011/002; A45C 2011/003; F16M
2200/00; F16M 13/00
See application file for complete search history.

- D690,306 S * 9/2013 Malisse D14/447
- D705,234 S * 5/2014 Guran D14/447
- D708,187 S * 7/2014 Xiang D14/447
- 9,267,638 B2 2/2016 Le Gette et al.
- D750,515 S * 3/2016 Ditges D10/74
- D759,002 S * 6/2016 Won D14/239
- D760,724 S * 7/2016 Kang D14/447
- D772,739 S * 11/2016 Browning D10/74
- D778,277 S * 2/2017 Haller D14/336

* cited by examiner

Primary Examiner — Angela J Lee

(74) *Attorney, Agent, or Firm* — Haugen Law Firm PLLP

(57) **CLAIM**

The ornamental design for a terminal display stand, as shown and described.

DESCRIPTION

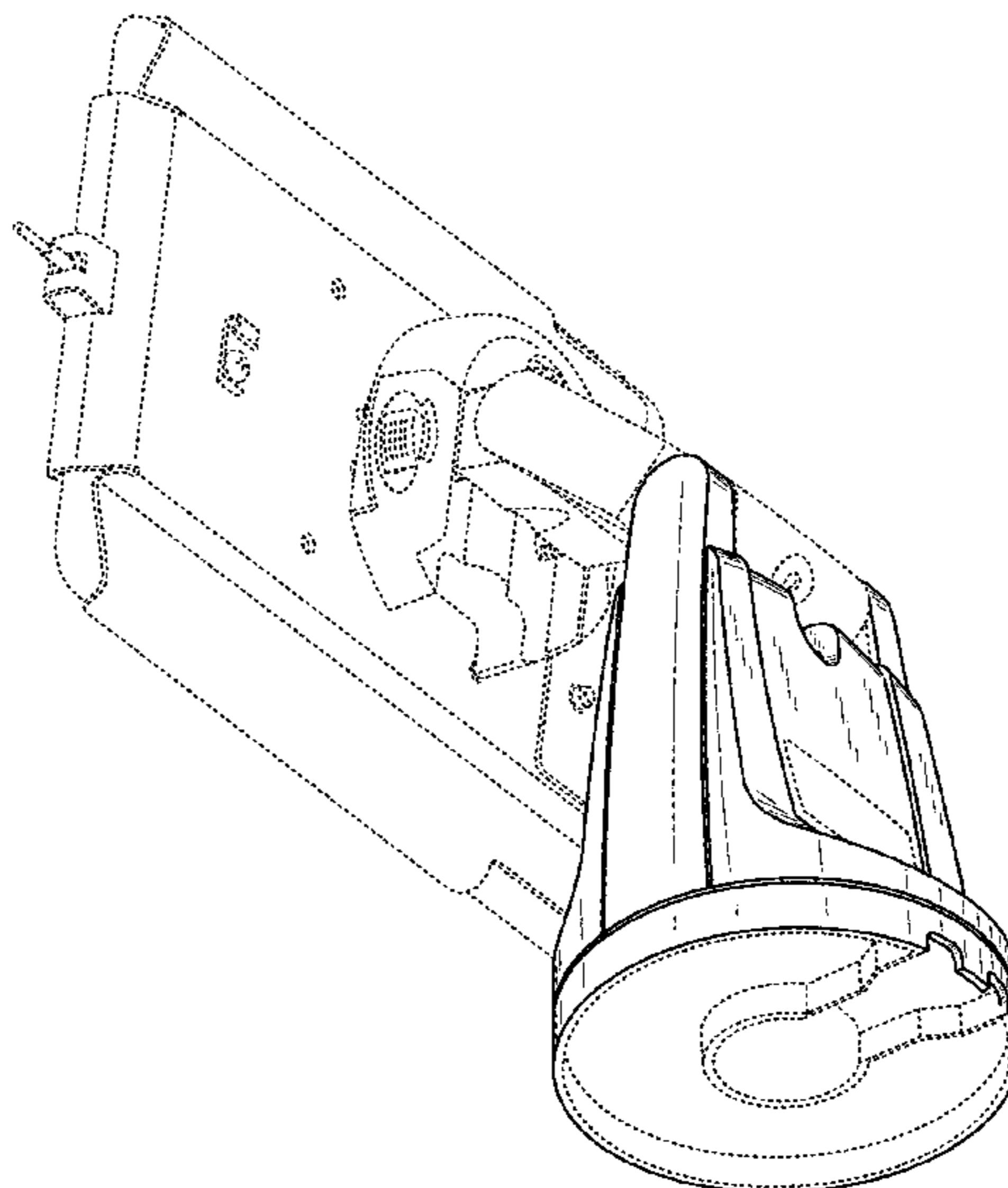
FIG. 1 is a front top perspective view of the terminal display stand showing environmental structure;
 FIG. 2 is a rear bottom perspective view of the terminal display stand showing environmental structure;
 FIG. 3 is a rear top perspective view of the terminal display stand showing environmental structure;
 FIG. 4 is a front top perspective view of the terminal display stand;
 FIG. 5 is a front elevational view of the terminal display stand;
 FIG. 6 is a rear elevational view of the terminal display stand;
 FIG. 7 is a left side elevational view of the terminal display stand;
 FIG. 8 is a right side elevational view of the terminal display stand;
 FIG. 9 is a top plan view of the terminal display stand; and,
 FIG. 10 is a bottom plan view of the terminal display stand.
 The broken line showing is for illustrative purposes only, and forms no part of the claimed design.

1 Claim, 7 Drawing Sheets

(56) **References Cited**

U.S. PATENT DOCUMENTS

- D508,916 S * 8/2005 Lee D14/434
- D644,230 S * 8/2011 Lin D14/447
- D667,012 S * 9/2012 Chen D14/447
- D672,356 S * 12/2012 Quijano D14/447
- D687,832 S * 8/2013 Edwards D14/447



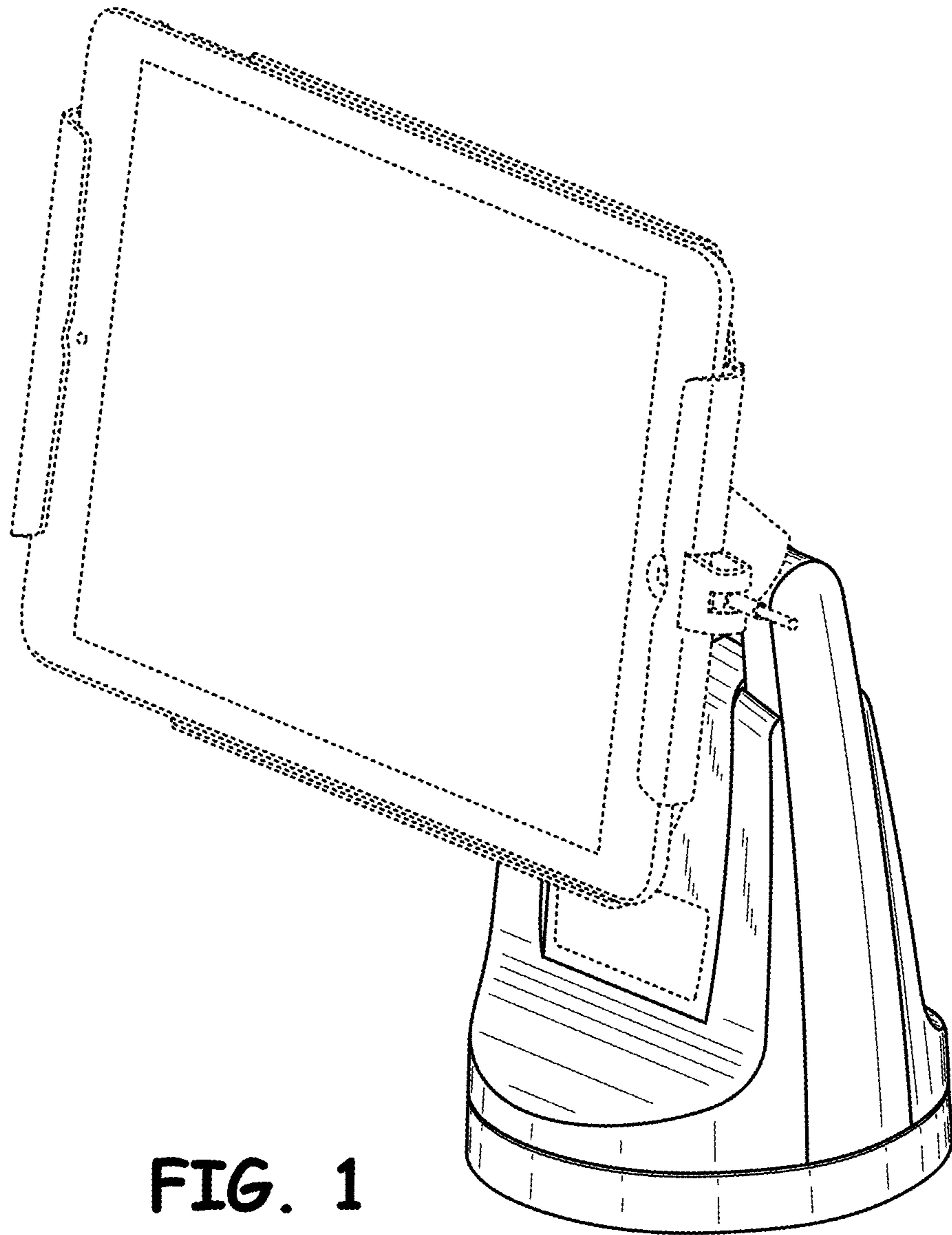


FIG. 1

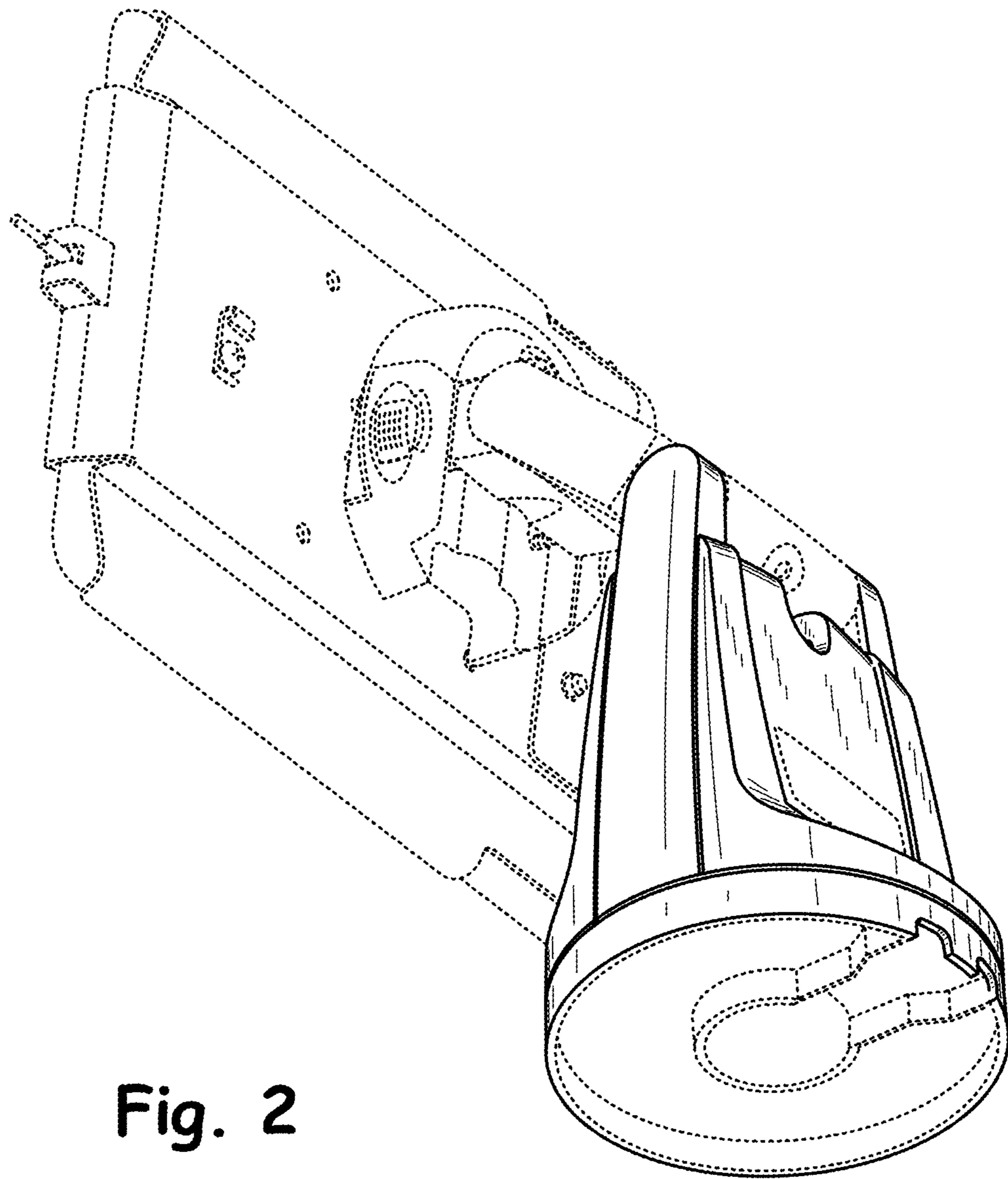


Fig. 2

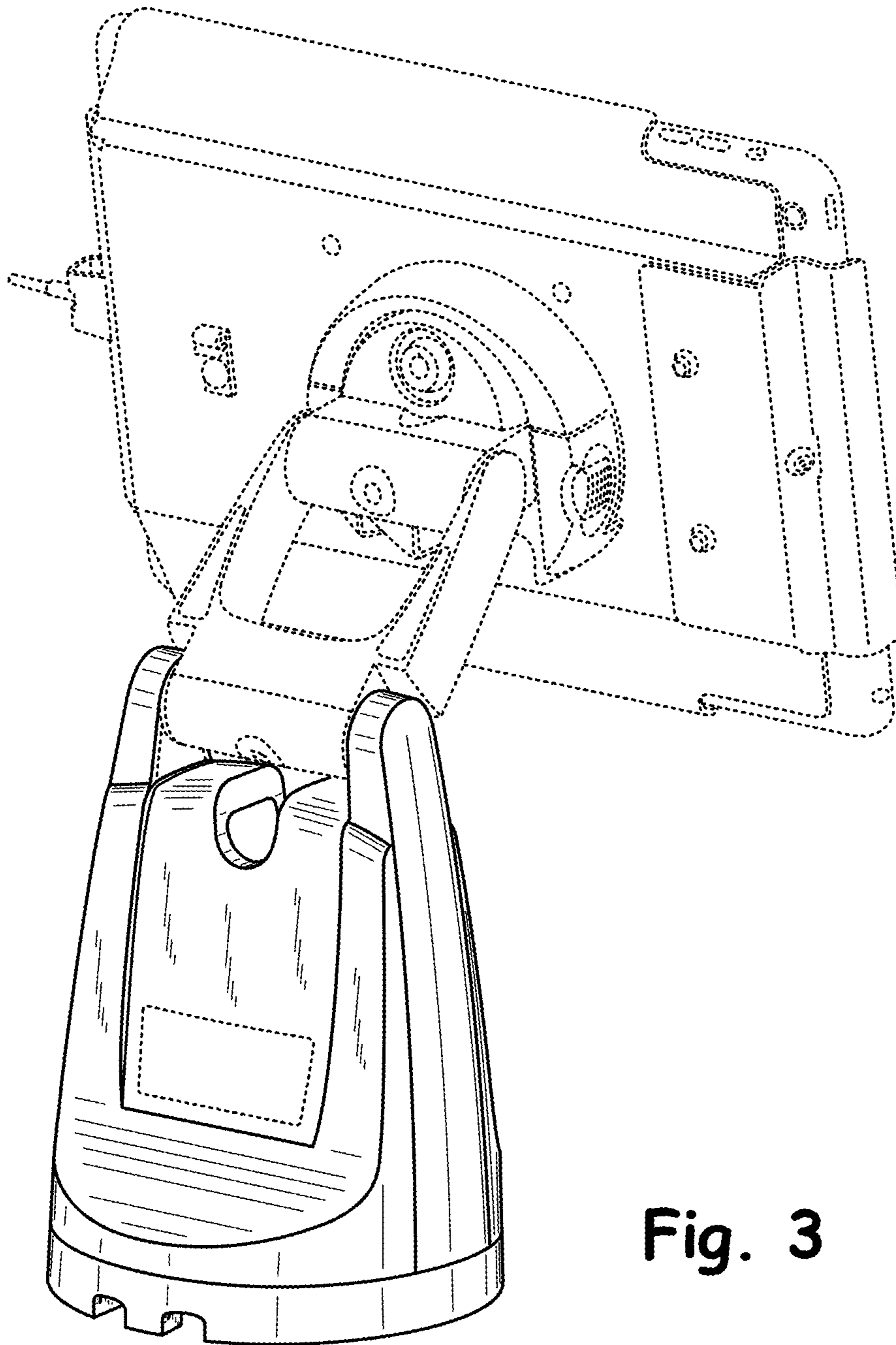


Fig. 3

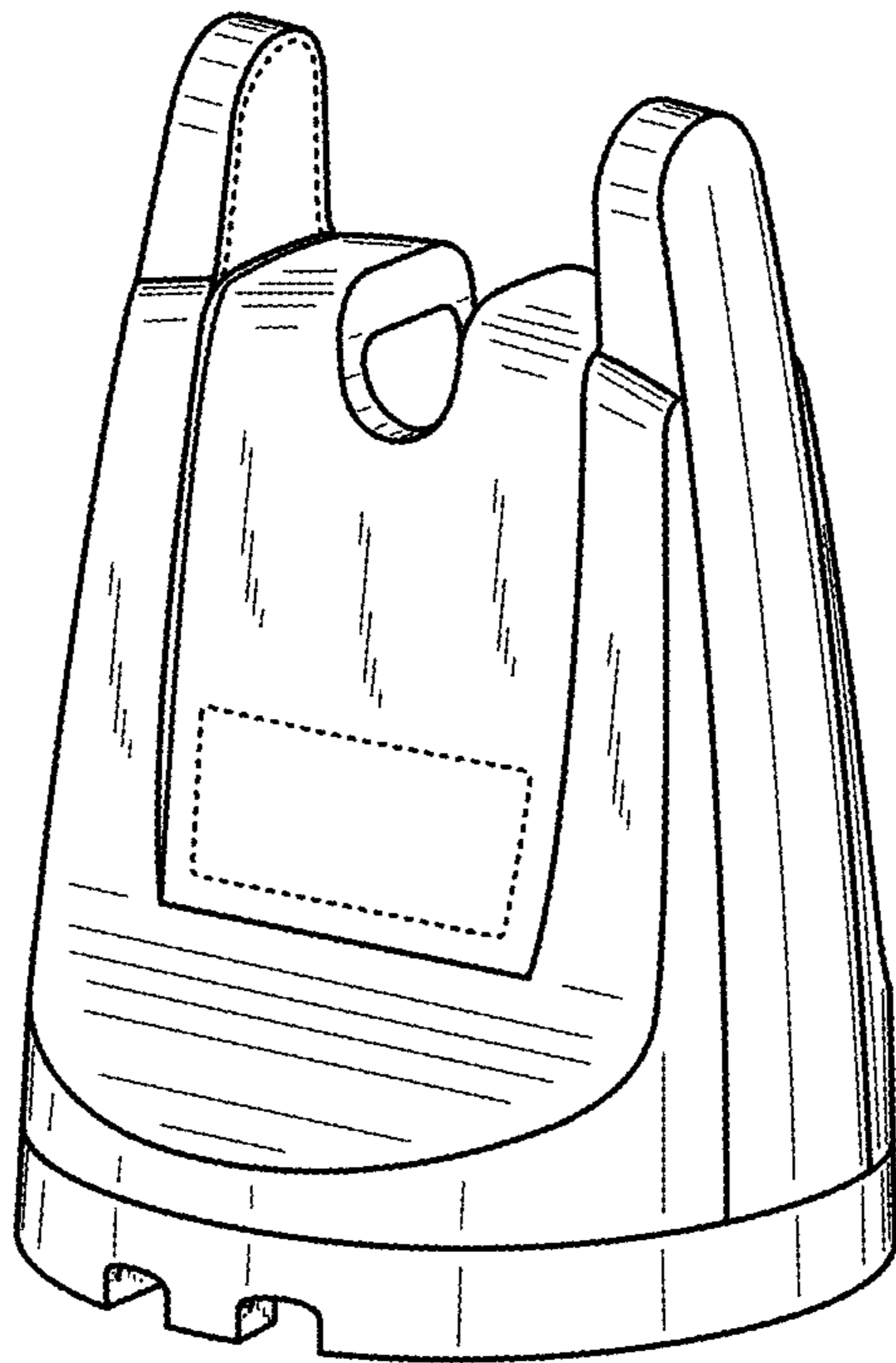


Fig. 4

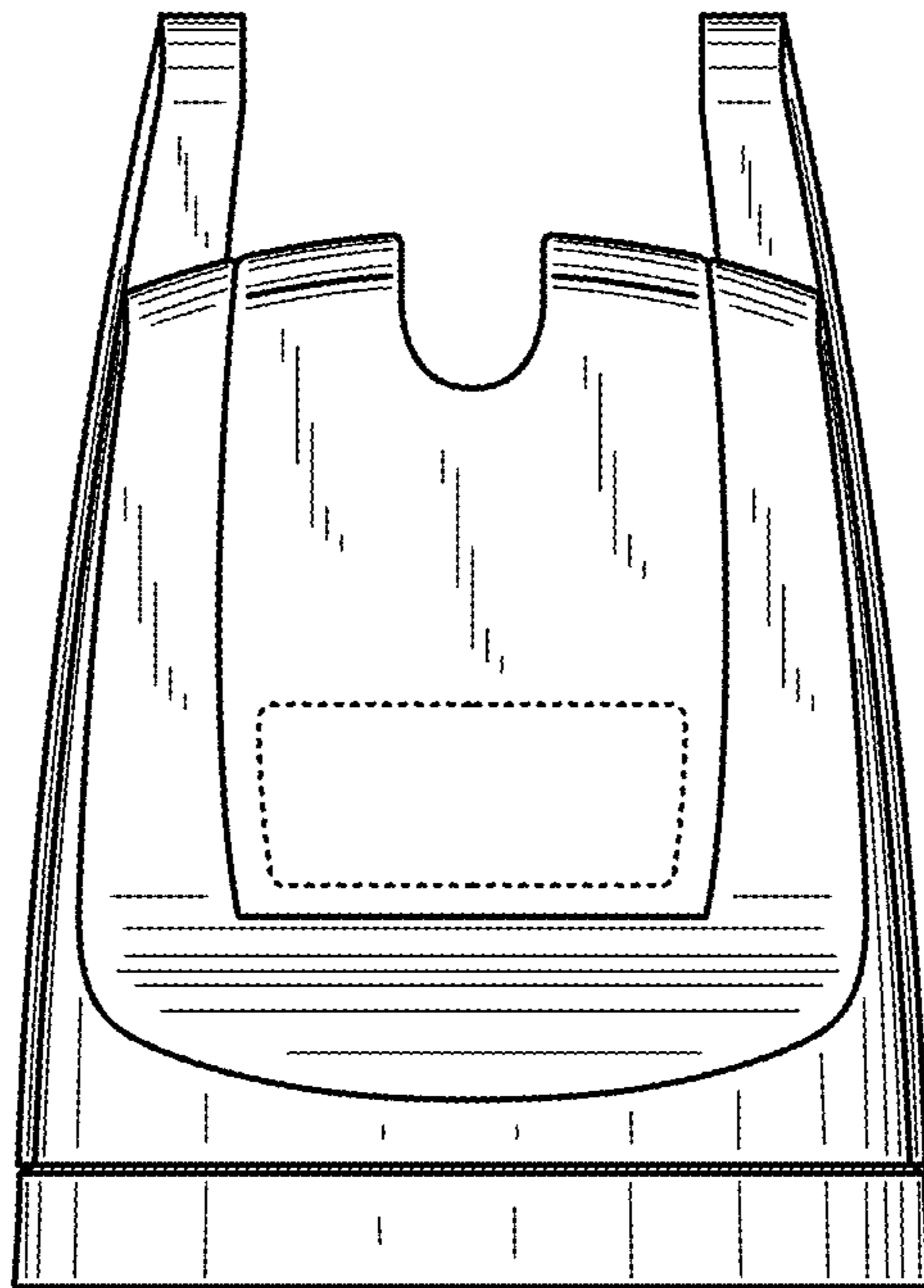


Fig. 5

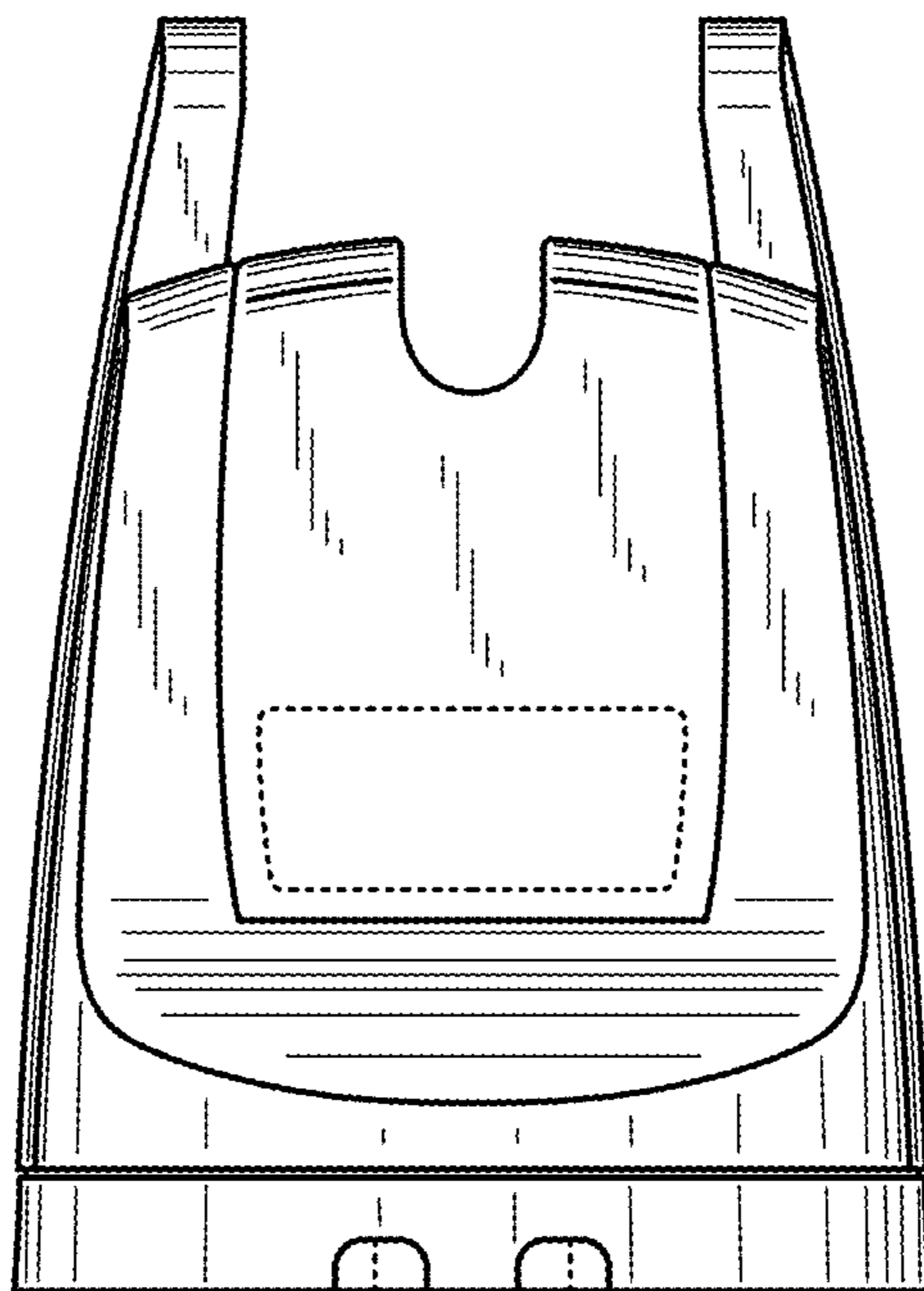


Fig. 6

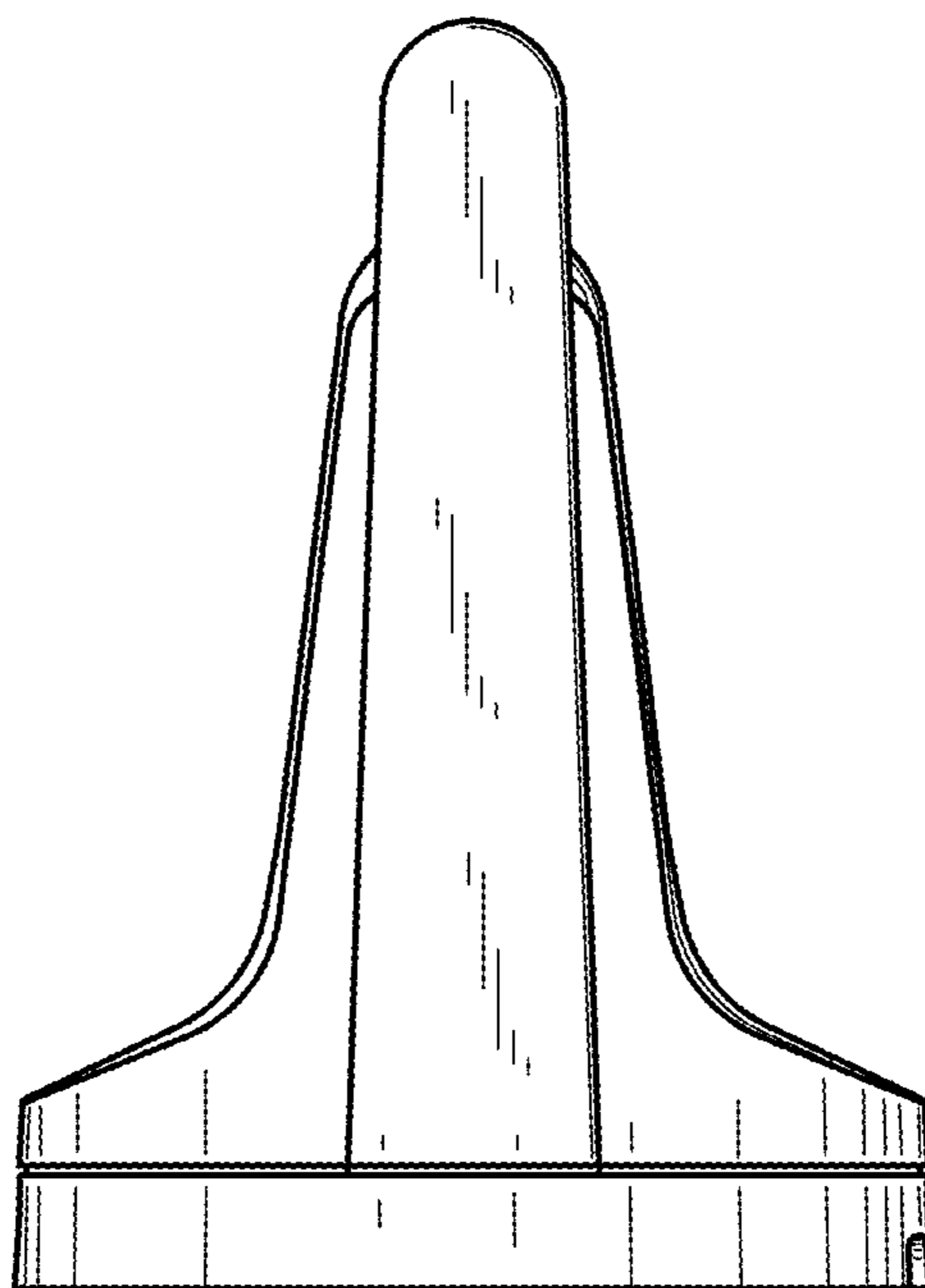


Fig. 7

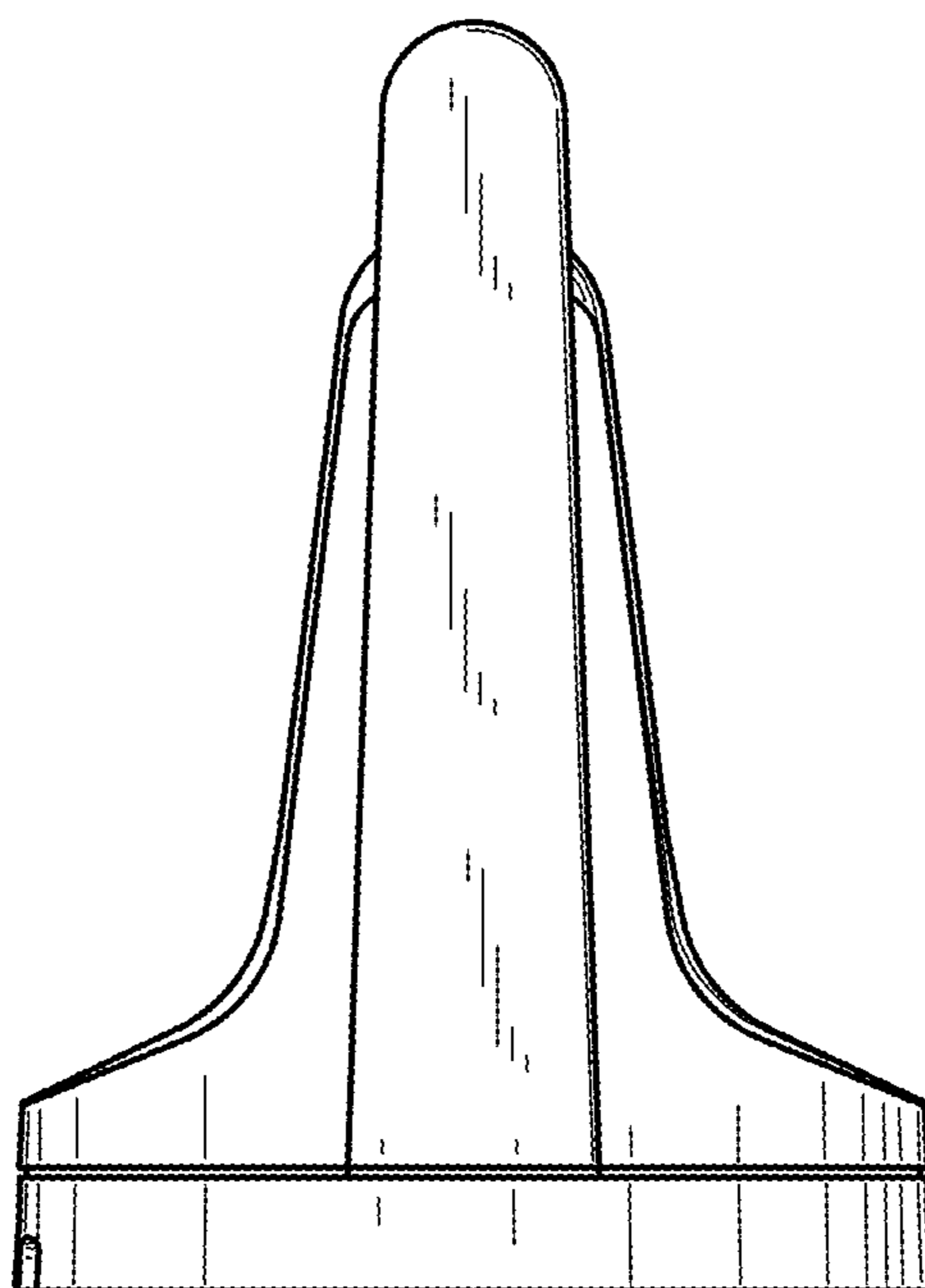


Fig. 8

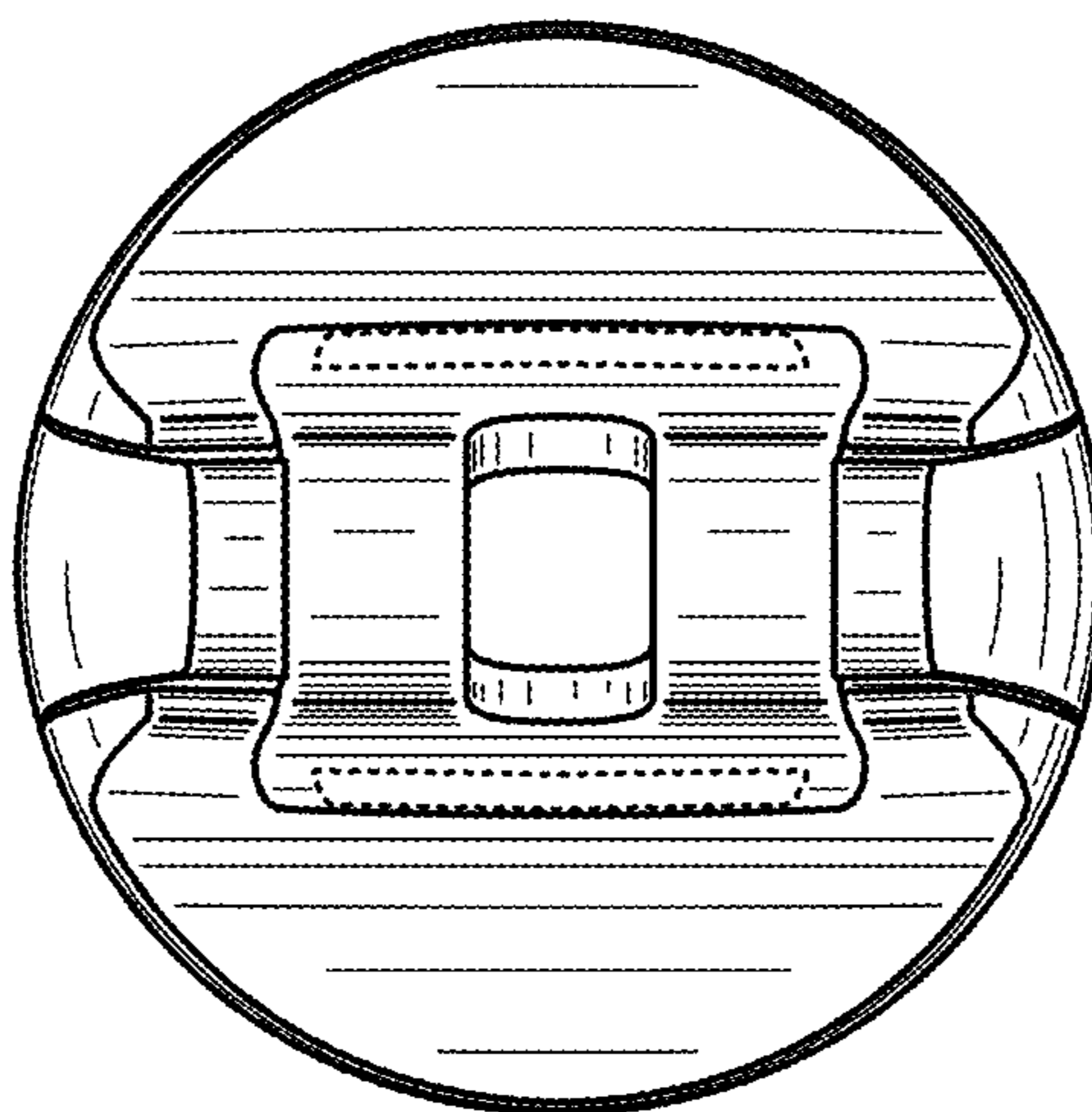


Fig. 9

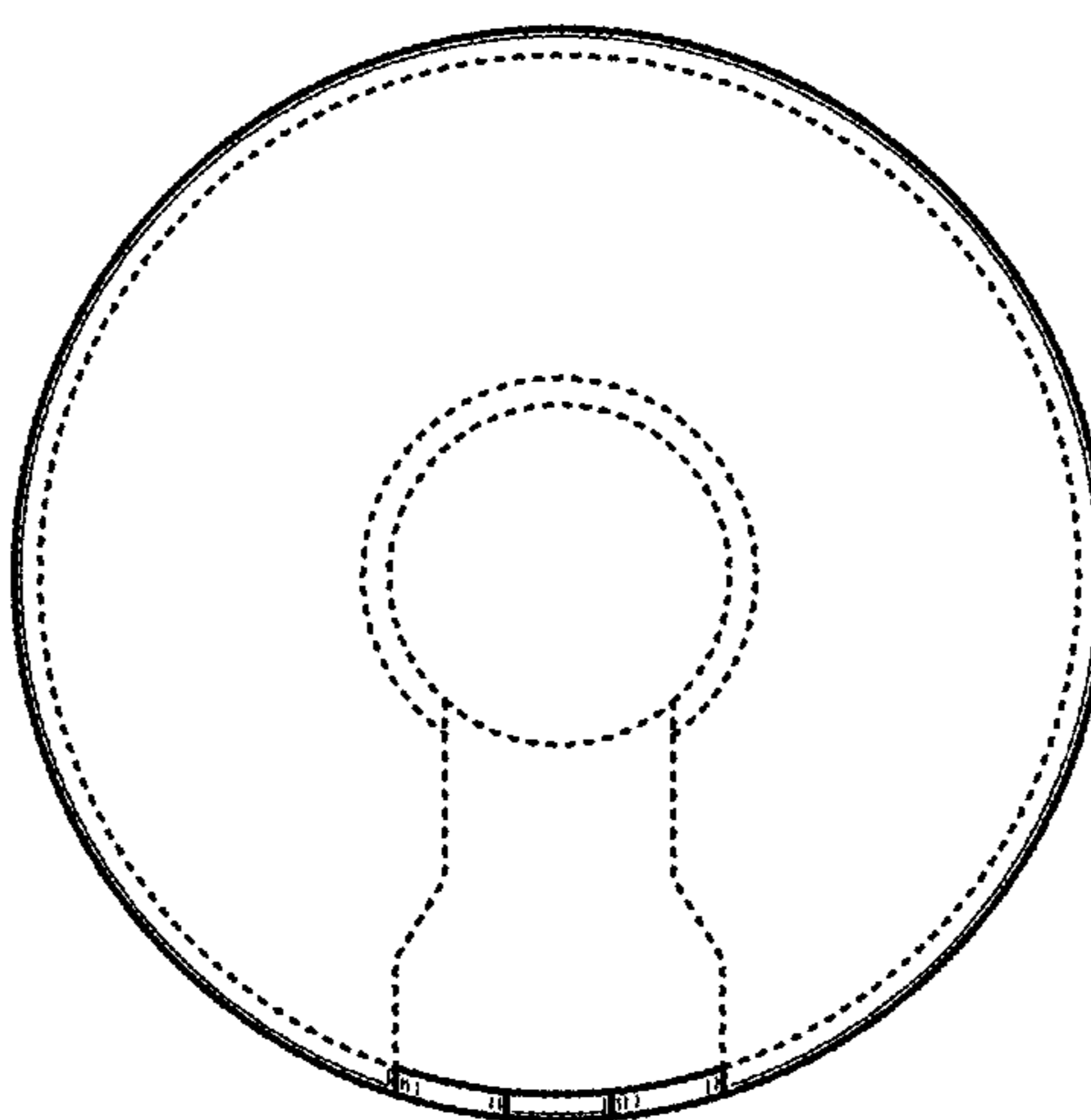


Fig. 10