

US00D792408S

(12) **United States Design Patent**
Kuo et al.

(10) **Patent No.:** **US D792,408 S**
(45) **Date of Patent:** **** Jul. 18, 2017**

(54) **HANDLE FOR MOBILE COMPUTER**

(71) Applicant: **GETAC TECHNOLOGY CORPORATION**, Hsinchu County (TW)

(72) Inventors: **Hsiu-Yu Kuo**, Taipei (TW); **Ying-Chun Chen**, New Taipei (TW); **Chia-Hsien Lin**, Taipei (TW)

(73) Assignee: **Getac Technology Corporation**, Hsinchu County (TW)

(**) Term: **15 Years**

(21) Appl. No.: **29/539,844**

(22) Filed: **Sep. 17, 2015**

(51) **LOC (10) Cl.** **14-02**

(52) **U.S. Cl.**
USPC **D14/432**

(58) **Field of Classification Search**
USPC D14/300-302, 308-313, 314, 348, D14/353-355, 432, 439-446, 447, 451;
(Continued)

(56) **References Cited**

U.S. PATENT DOCUMENTS

D427,572 S * 7/2000 Solomon D14/439
D449,303 S * 10/2001 Chou D14/432
(Continued)

Primary Examiner — Austin Murphy

(57) **CLAIM**

The ornamental design for a handle for mobile computer, as shown and described.

DESCRIPTION

FIG. 1 is a top front right perspective view showing a first embodiment of my new design;

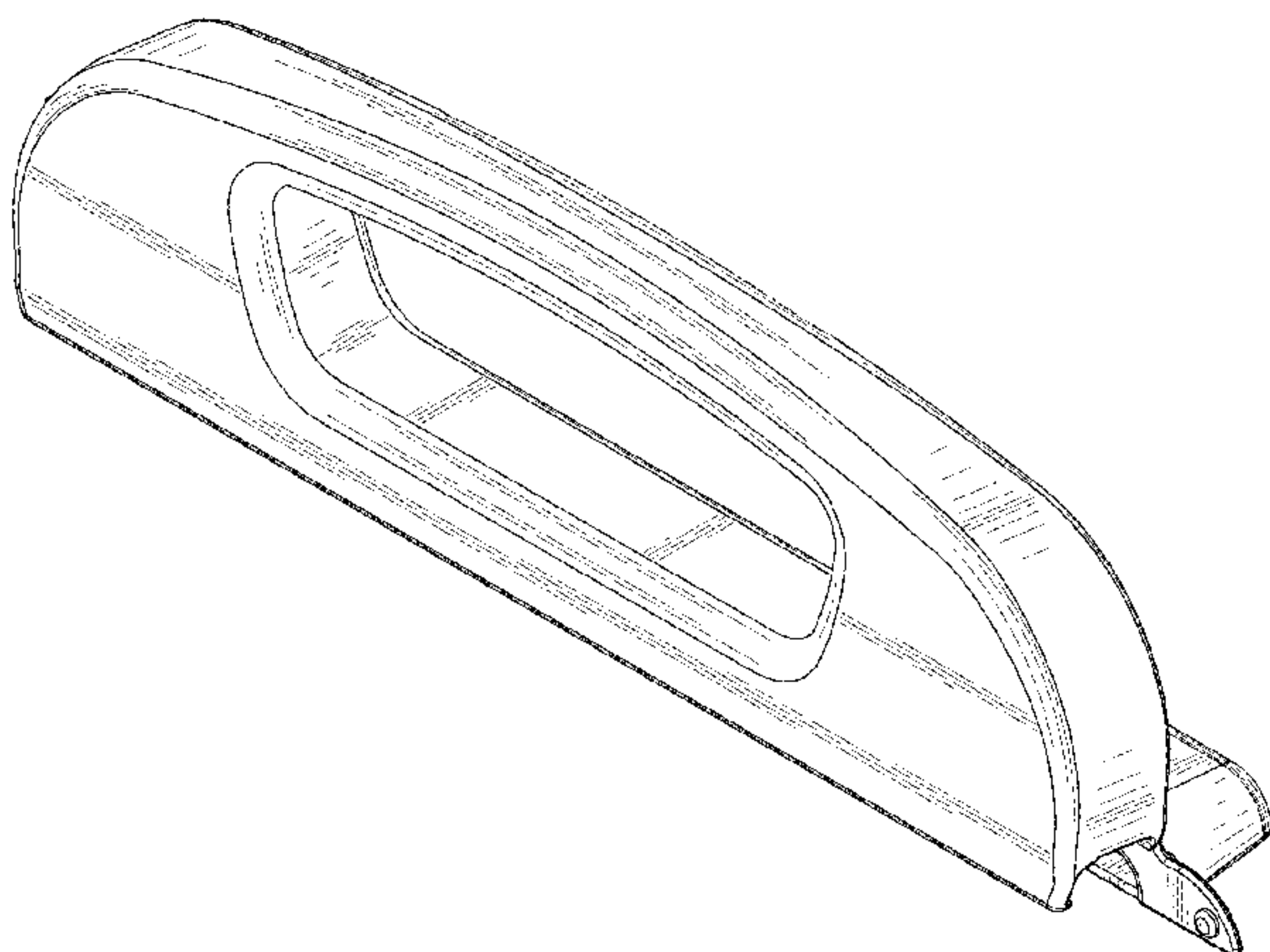


FIG. 2 is a bottom front left perspective view showing a first embodiment of my new design;

FIG. 3 is a top rear left perspective view showing a first embodiment of my new design;

FIG. 4 is a front view of the first embodiment of my new design;

FIG. 5 is a rear view of the first embodiment of my new design;

FIG. 6 is a left side view of the first embodiment of my new design;

FIG. 7 is a right side view of the first embodiment of my new design;

FIG. 8 is a top view of the first embodiment of my new design;

FIG. 9 is a bottom view of the first embodiment of my new design;

FIG. 10 is a top front right perspective view of the first embodiment of my new design installed on a mobile computer;

FIG. 11 is a top front right rear perspective view showing a second embodiment of my new design;

FIG. 12 is a bottom front left perspective view showing a second embodiment of my new design;

FIG. 13 is a top rear left perspective view showing a second embodiment of my new design;

FIG. 14 is a front view of the second embodiment of my new design;

FIG. 15 is a rear view of the second embodiment of my new design;

FIG. 16 is a left side view of the second embodiment of my new design;

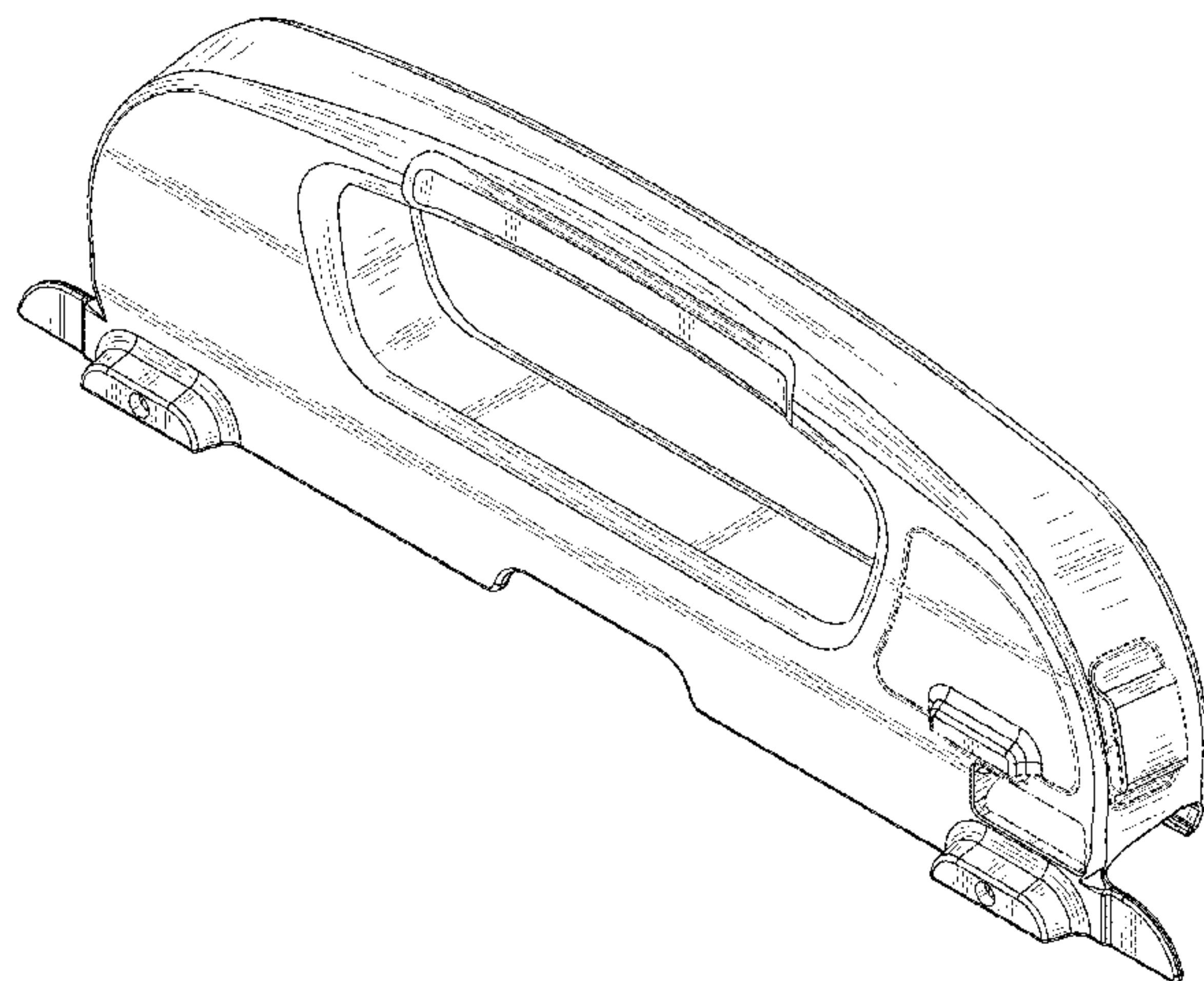
FIG. 17 is a right side view of the second embodiment of my new design;

FIG. 18 is a top view of the second embodiment of my new design;

FIG. 19 is a bottom view of the second embodiment of my new design; and,

FIG. 20 is a top front right perspective view of the second embodiment of my new design installed on a mobile computer.

1 Claim, 16 Drawing Sheets



(58) **Field of Classification Search**

USPC 361/679.02, 679.31, 679.5, 690, 694,
361/679.23, 801, 802; 312/332.1, 334.1;
D19/65, 91; D3/218; D8/354, 373;
D12/193; 248/206.2
CPC A45C 11/00; A45C 2011/003; B60R
11/0241; B60R 11/0252; F16M 13/00;
F16M 11/00

See application file for complete search history.

(56) **References Cited**

U.S. PATENT DOCUMENTS

D598,919 S * 8/2009 Takemasa D14/432
D618,244 S * 6/2010 Sweet D14/299
D673,162 S * 12/2012 Young D14/447
D695,742 S * 12/2013 Yang D14/432
D700,909 S * 3/2014 Bowser D14/411
D701,510 S * 3/2014 Brisbin D14/447
D716,308 S * 10/2014 Park D14/432
D717,802 S * 11/2014 Carpenter D14/439
D718,315 S * 11/2014 Carpenter D14/439
D736,779 S * 8/2015 Moon D14/448
D737,824 S * 9/2015 Jagadish D14/432
D746,821 S * 1/2016 Oakley D14/432
D747,317 S * 1/2016 Oakley D14/432
D771,385 S * 11/2016 Morszeck D3/318
D772,233 S * 11/2016 Cho D14/439
D778,903 S * 2/2017 Tsai D14/341
2012/0075801 A1 * 3/2012 Yang A63H 33/006
361/679.59
2014/0063735 A1 * 3/2014 Lee F16M 13/00
361/679.56

* cited by examiner

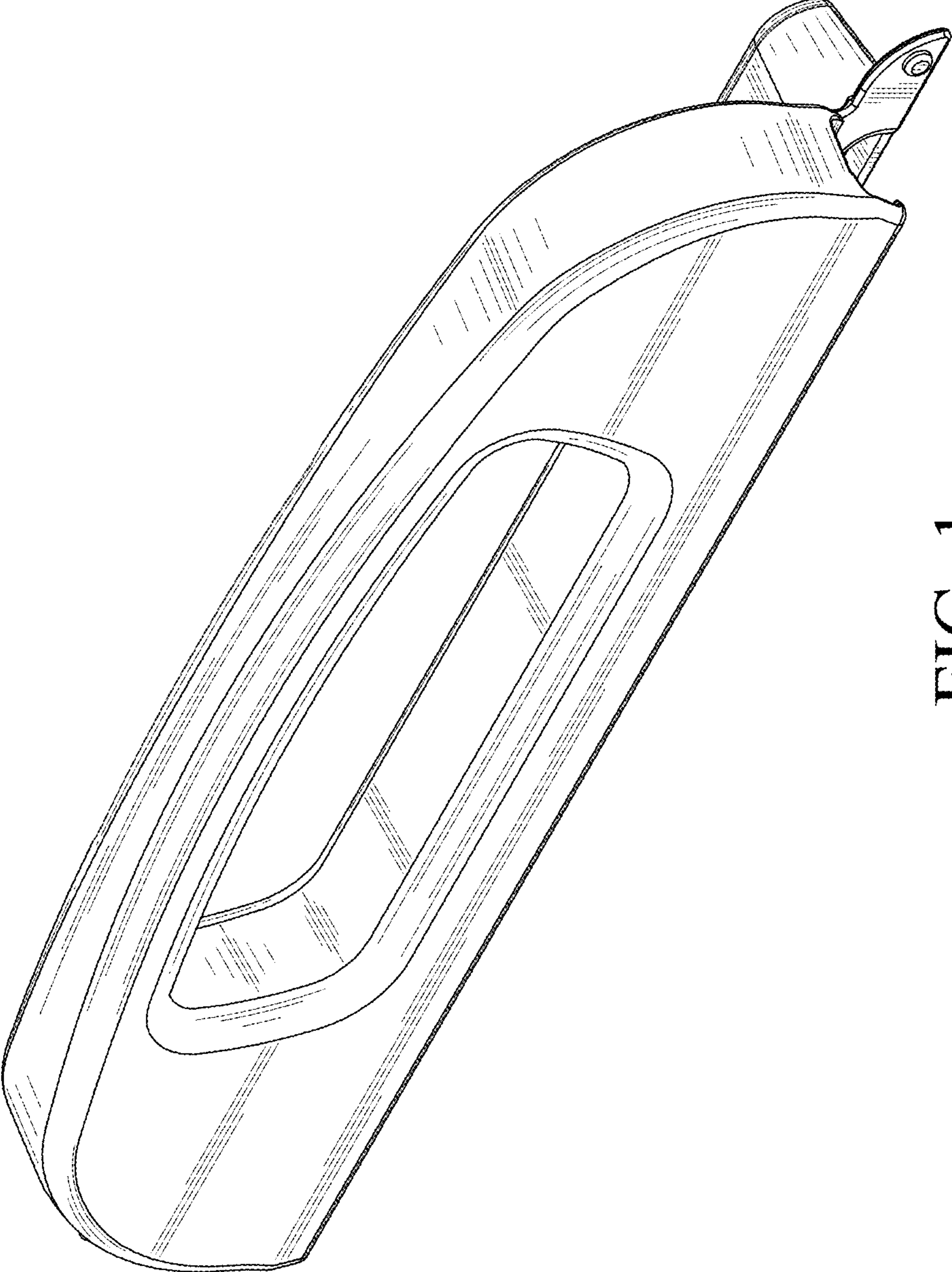


FIG. 1

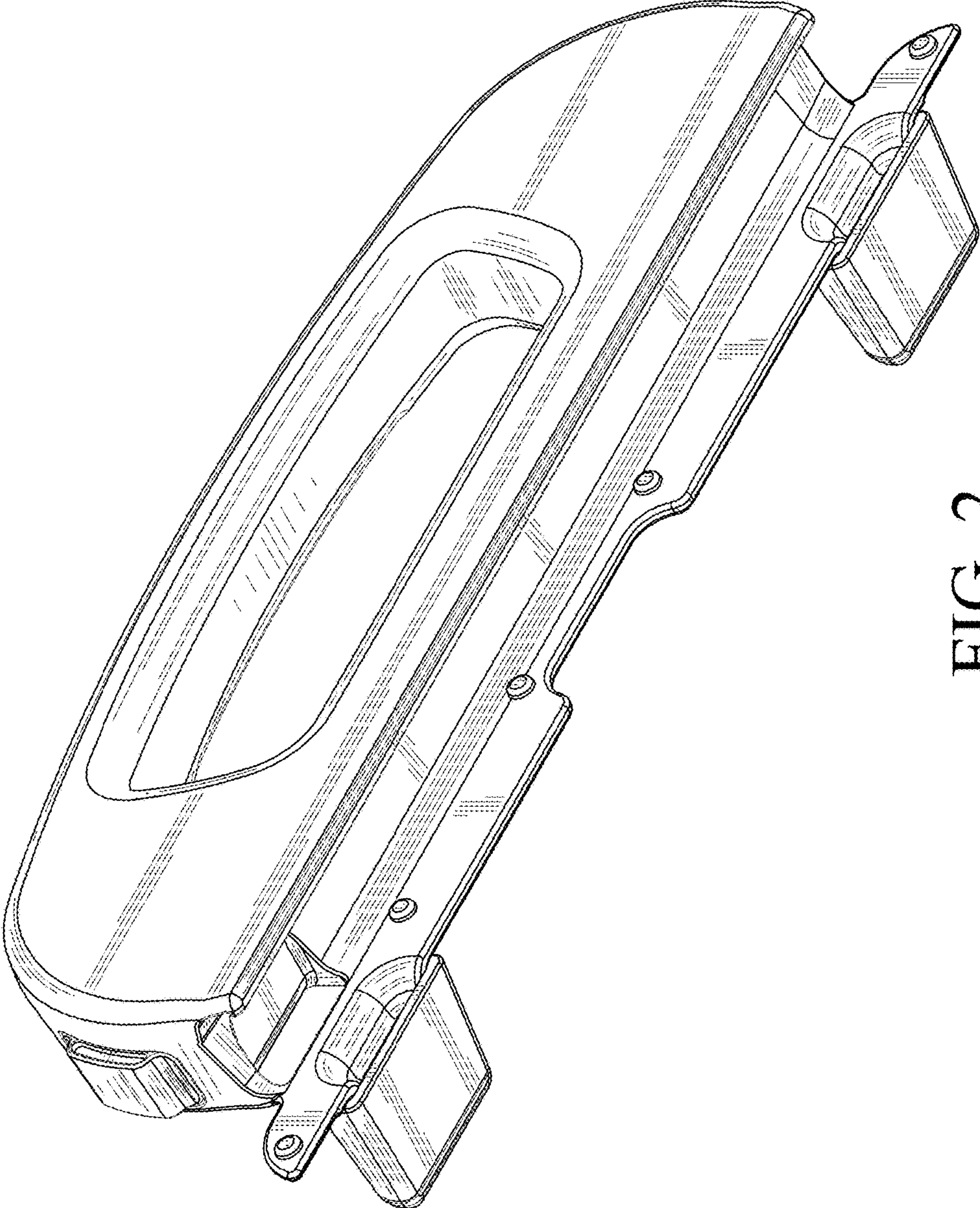


FIG. 2

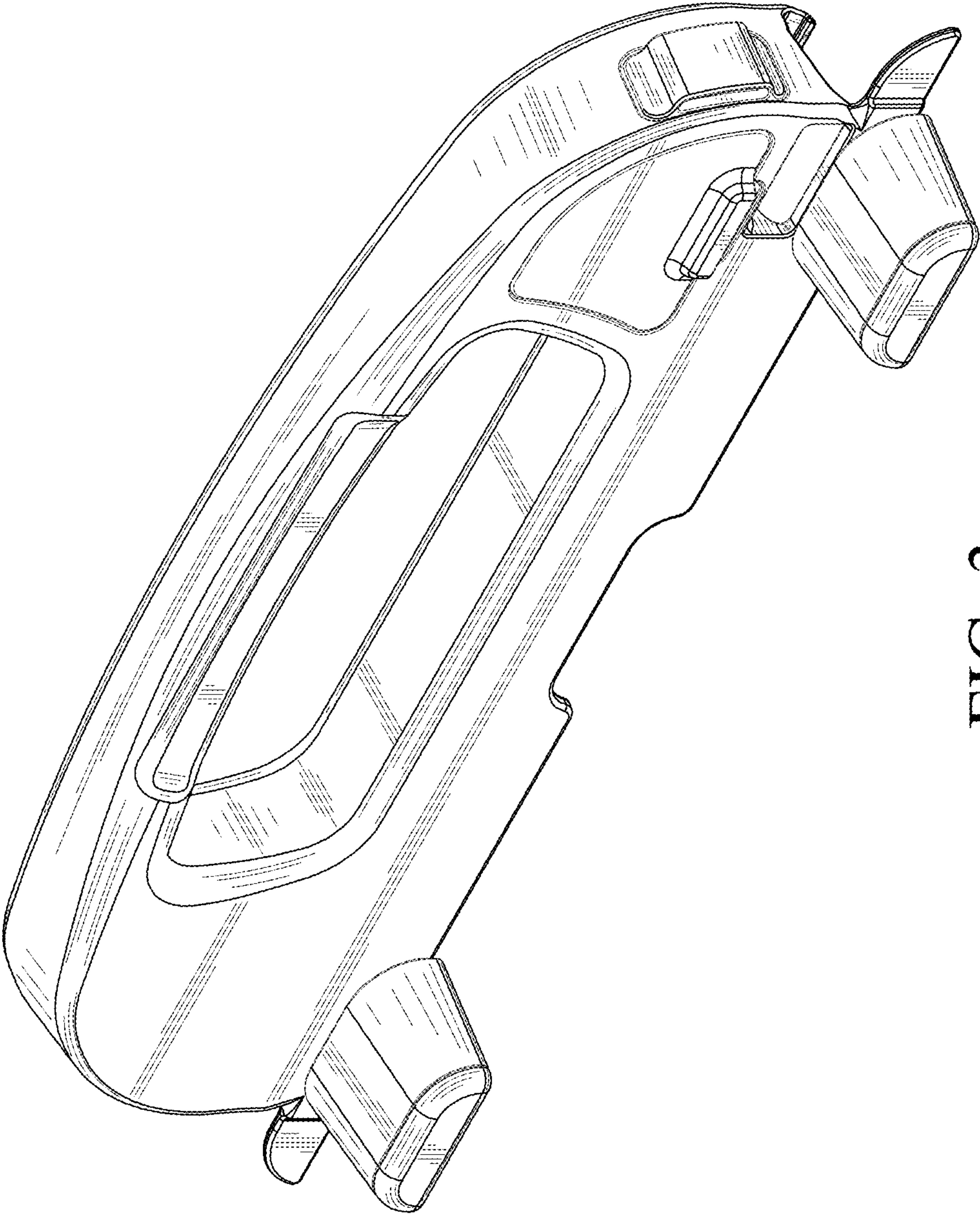


FIG. 3

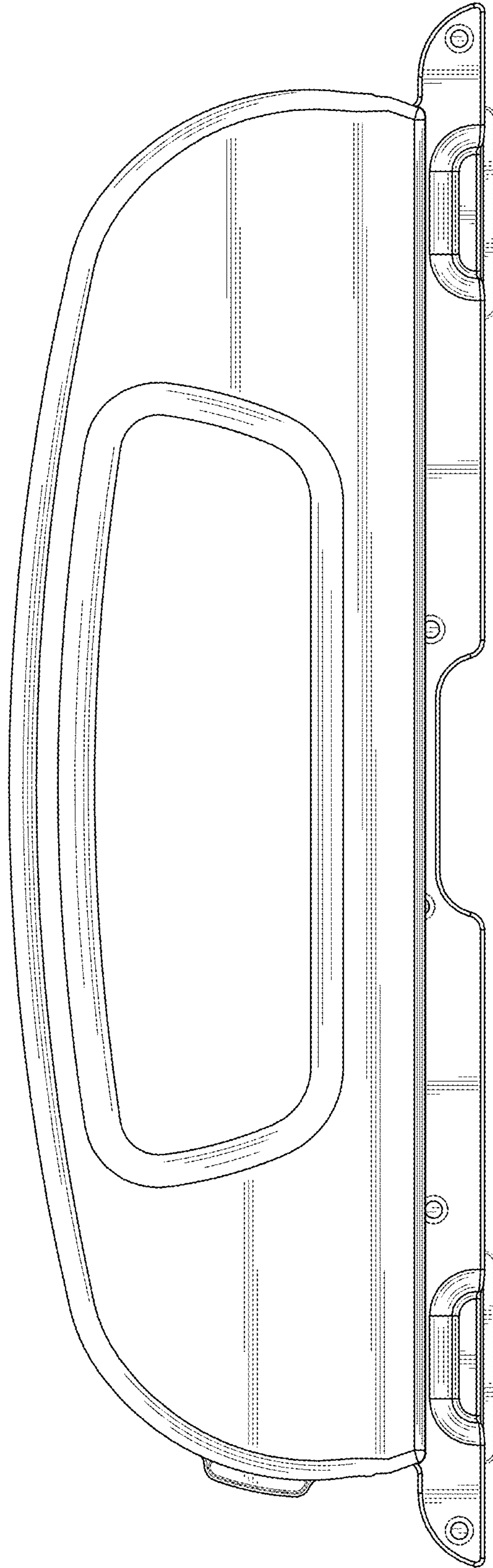


FIG. 4

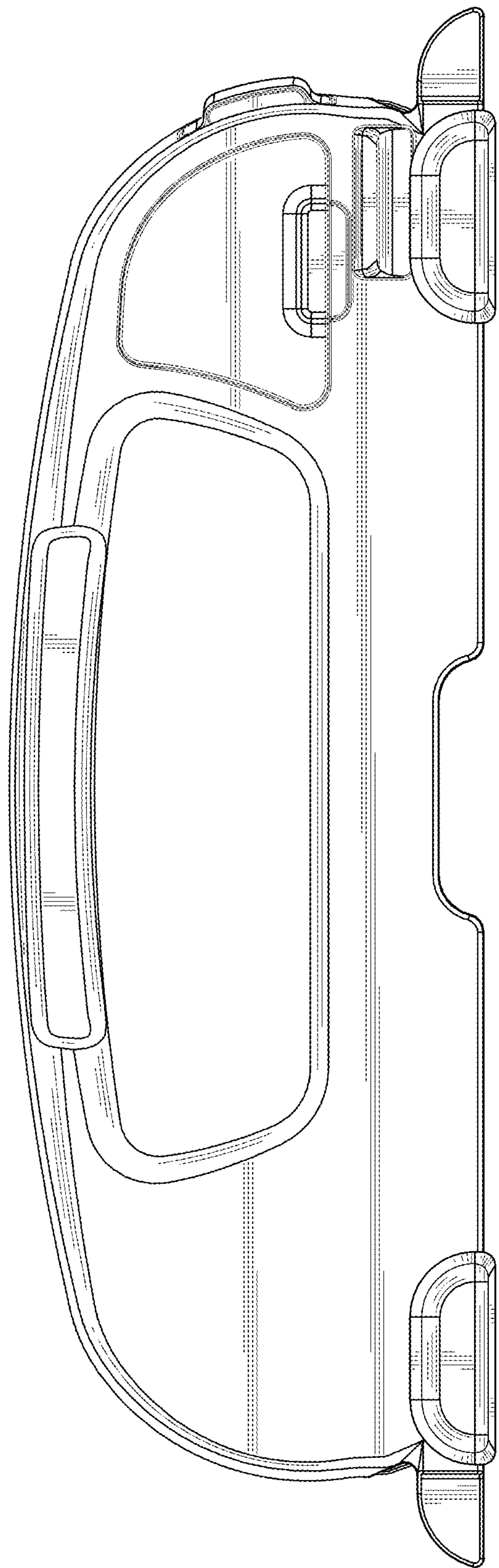


FIG. 5

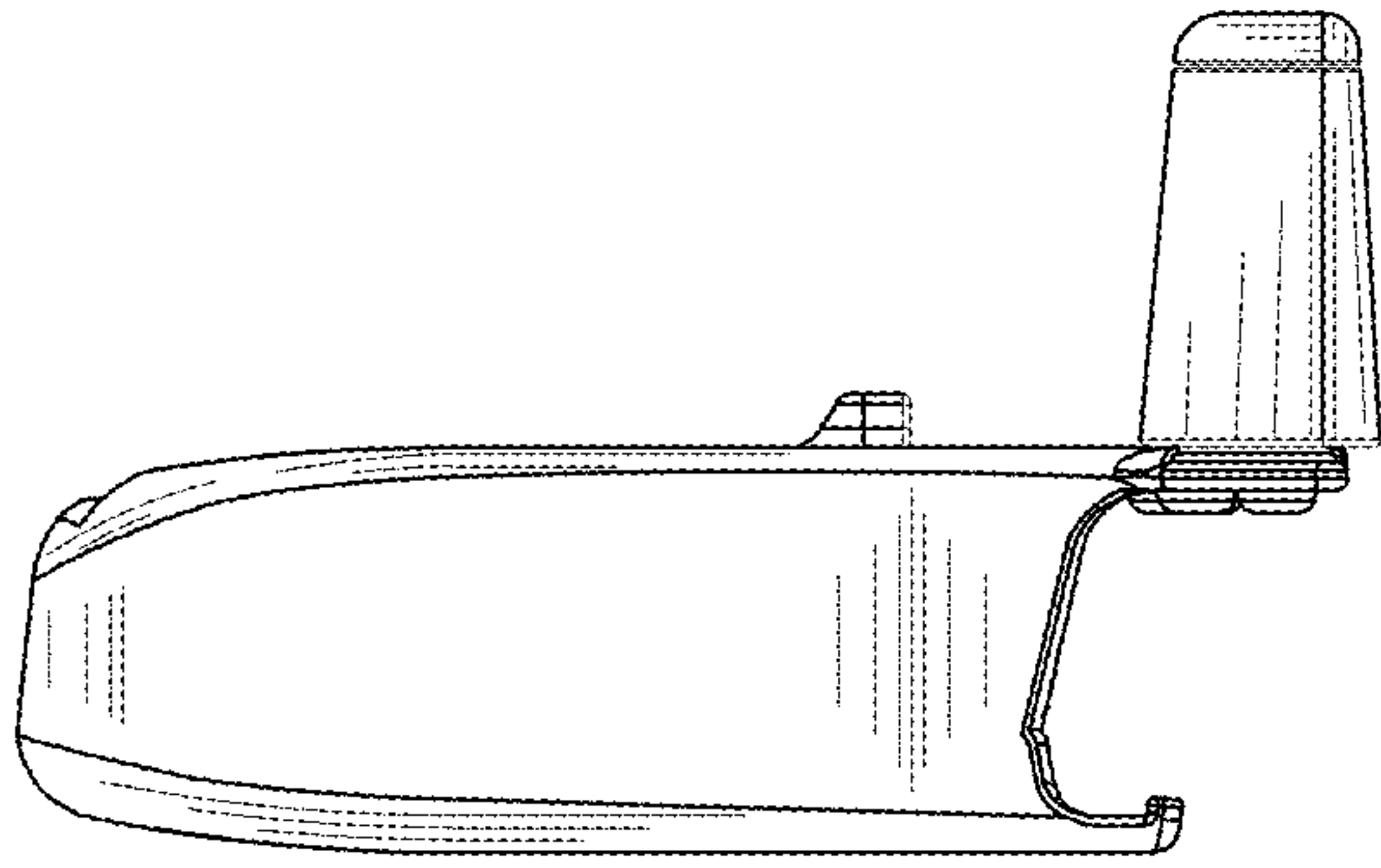


FIG. 7

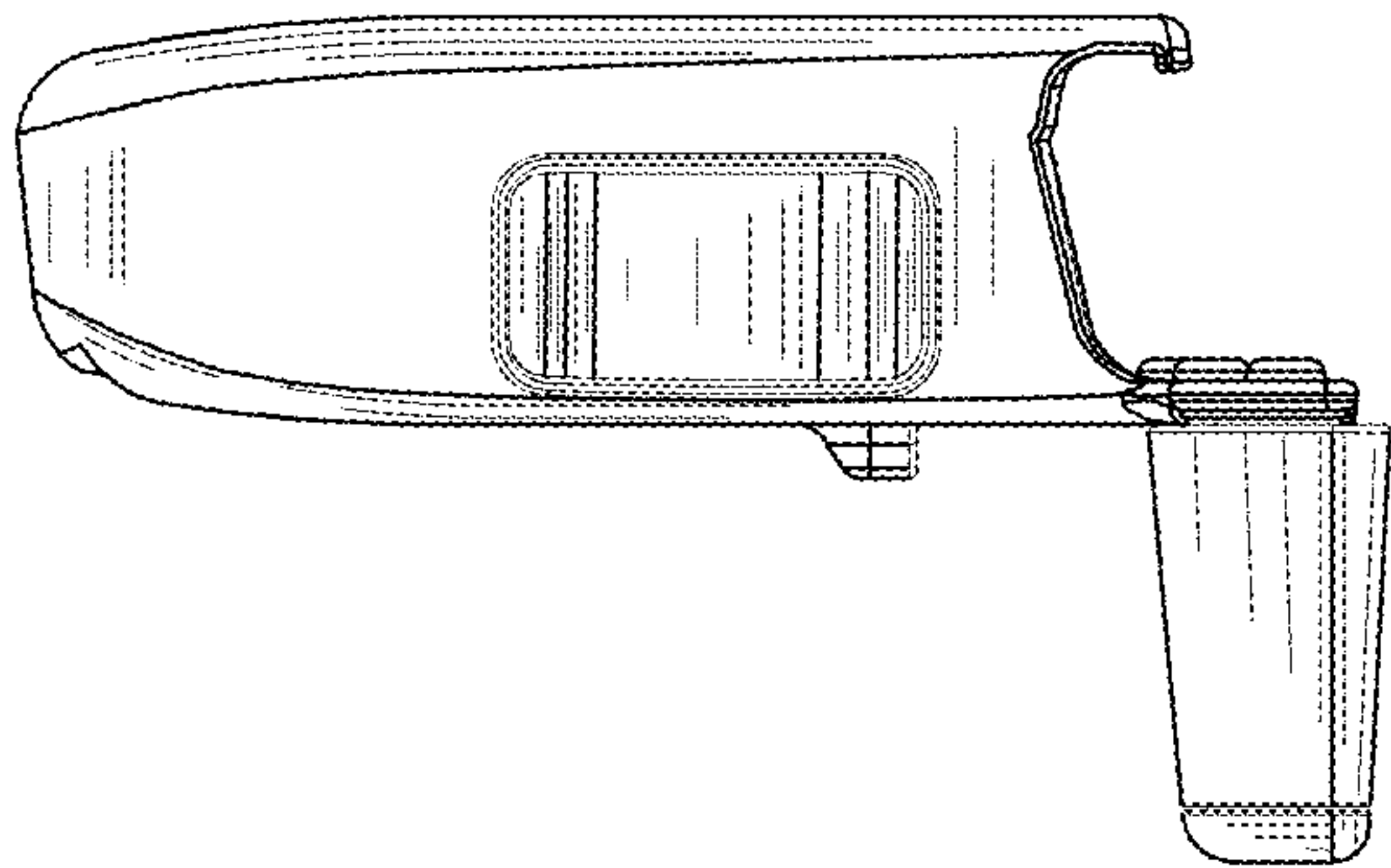


FIG. 6

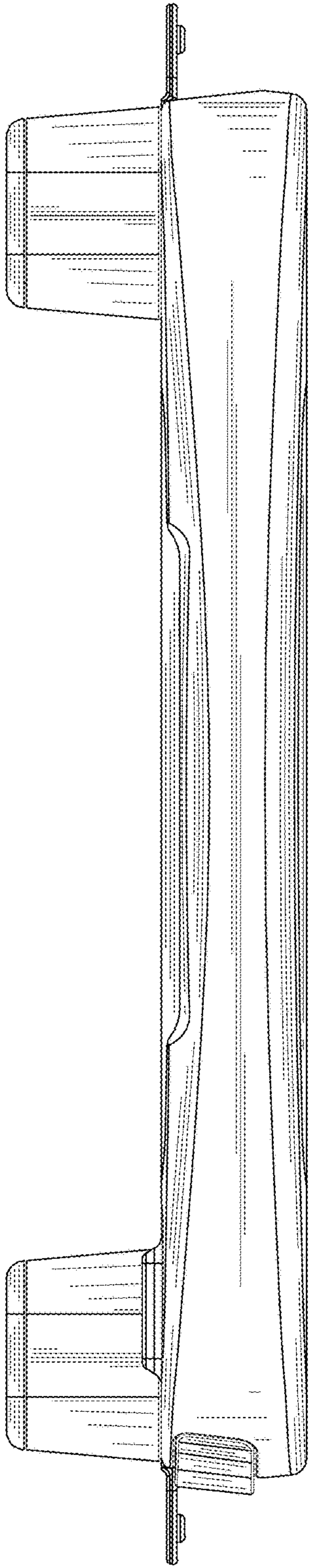


FIG. 8

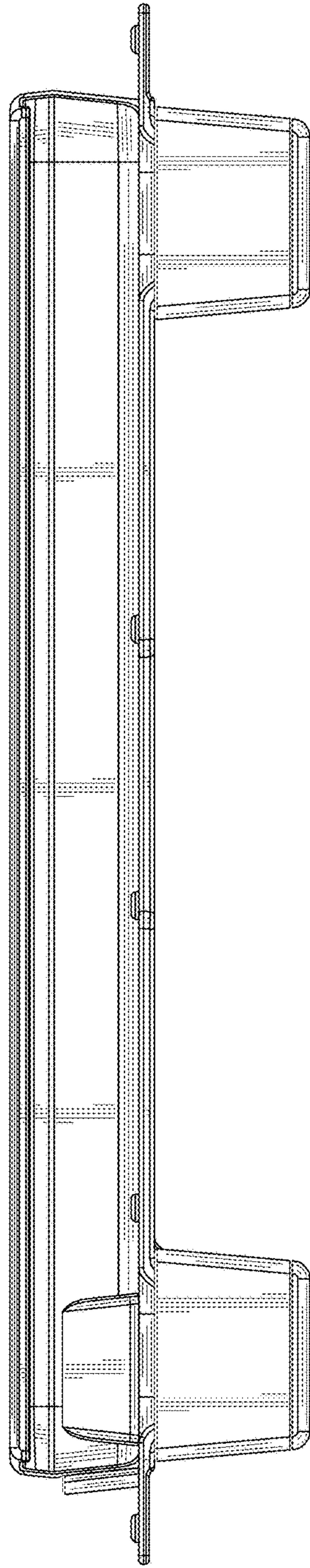


FIG. 9

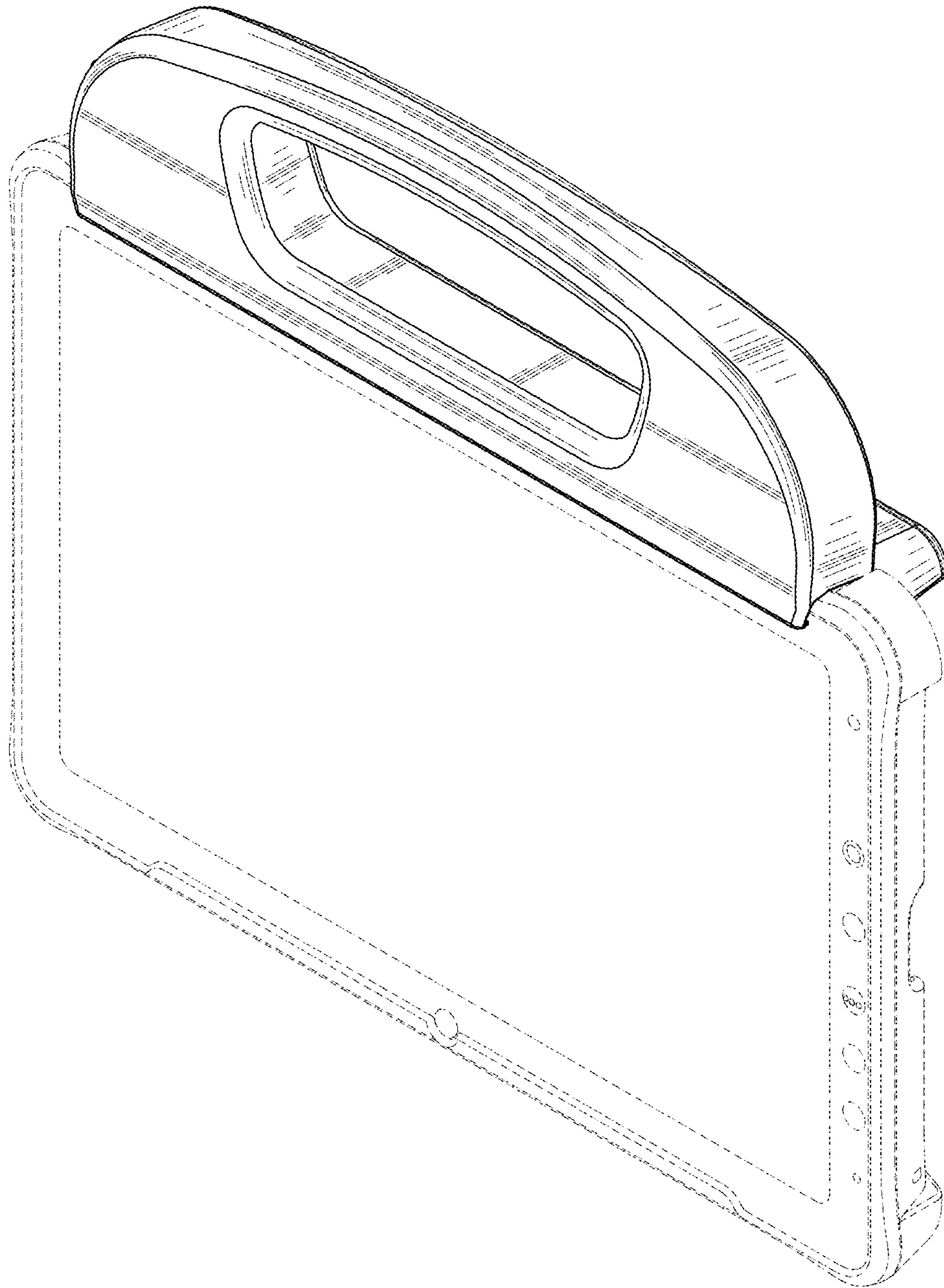


FIG. 10

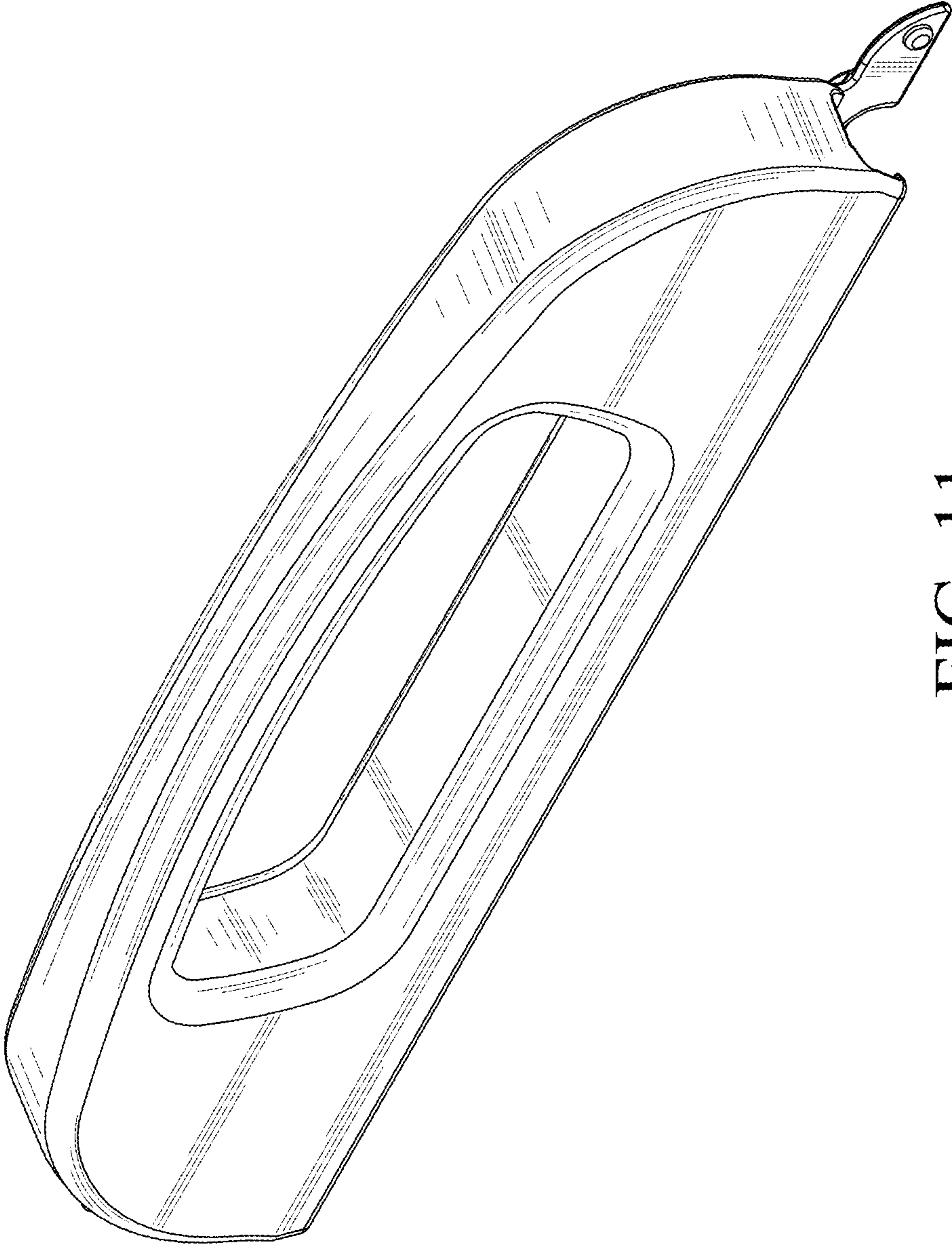


FIG. 11

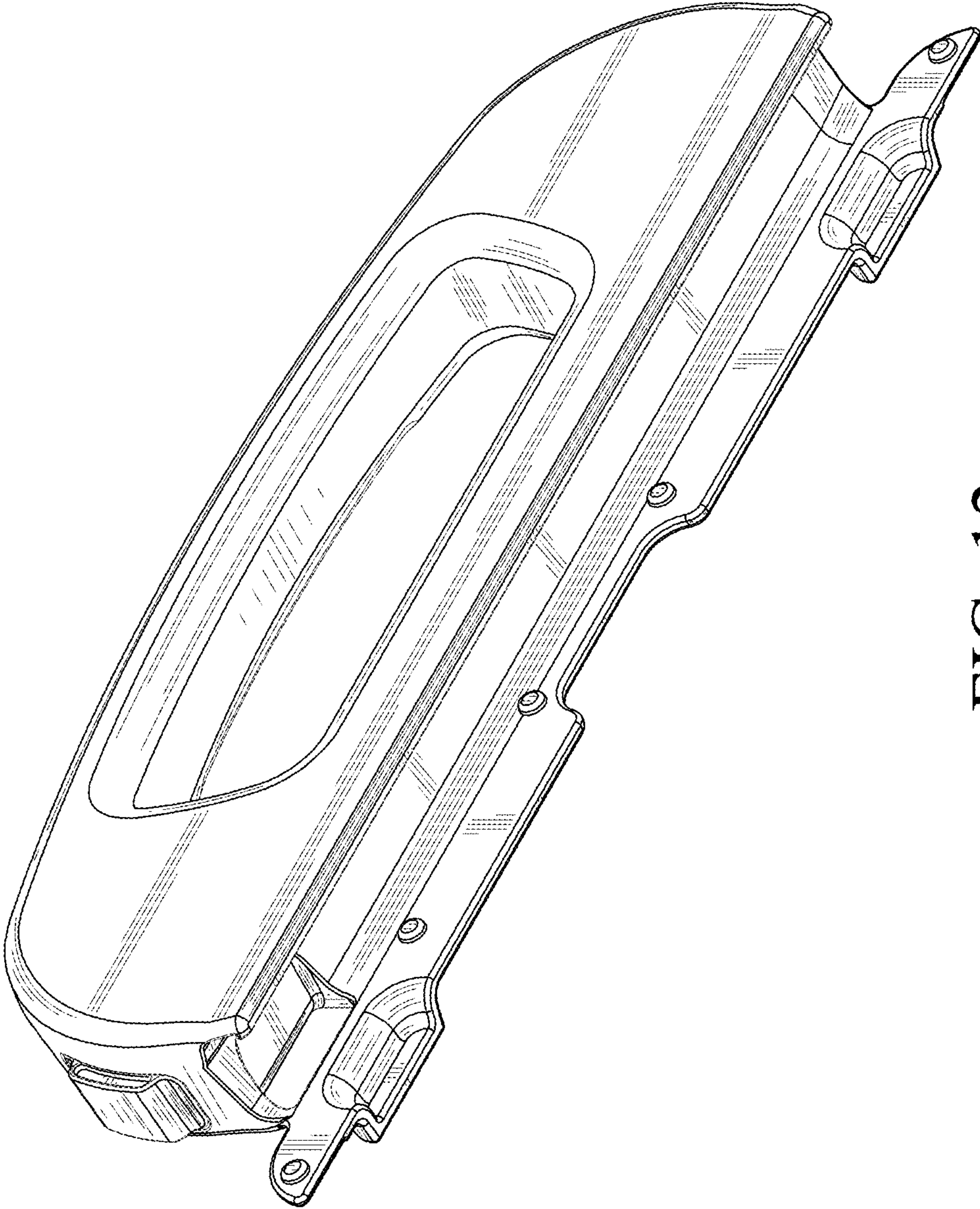


FIG. 12

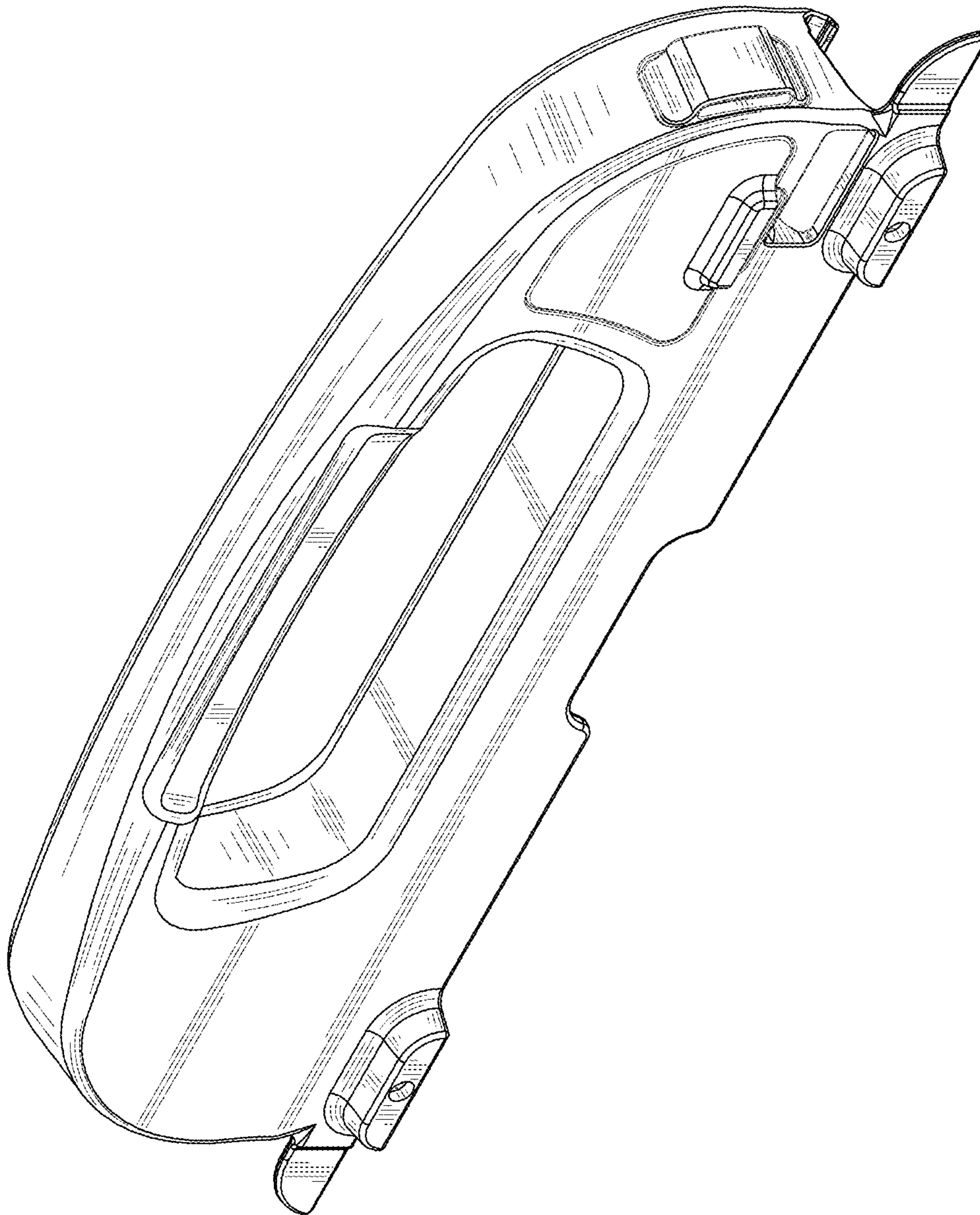


FIG. 13

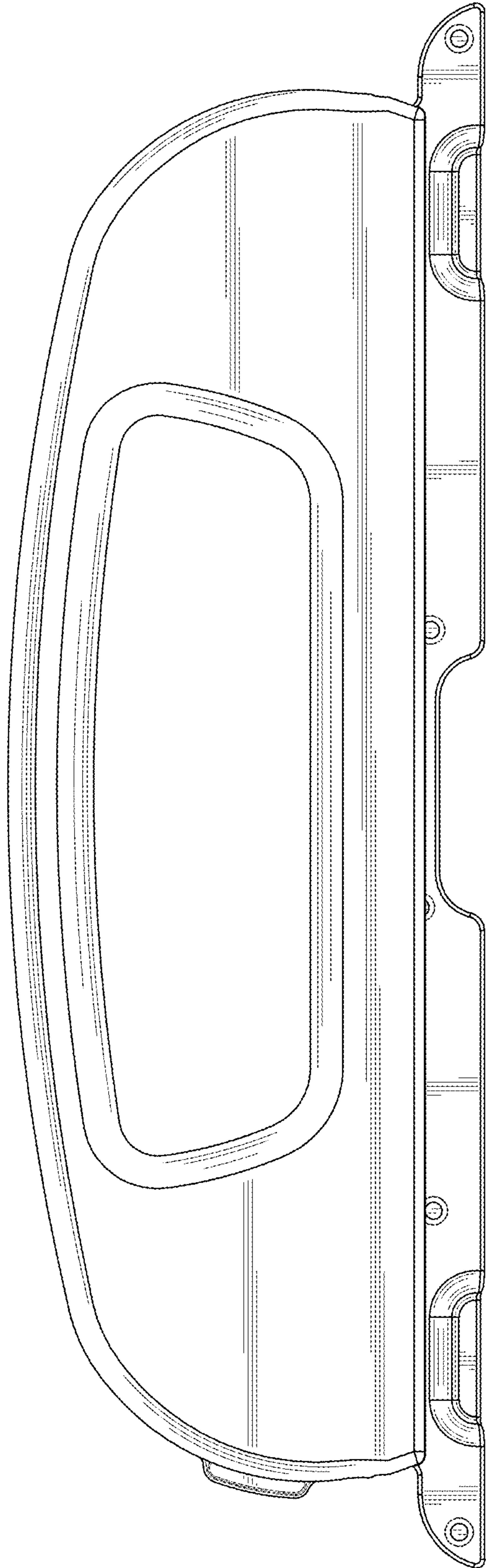


FIG. 14

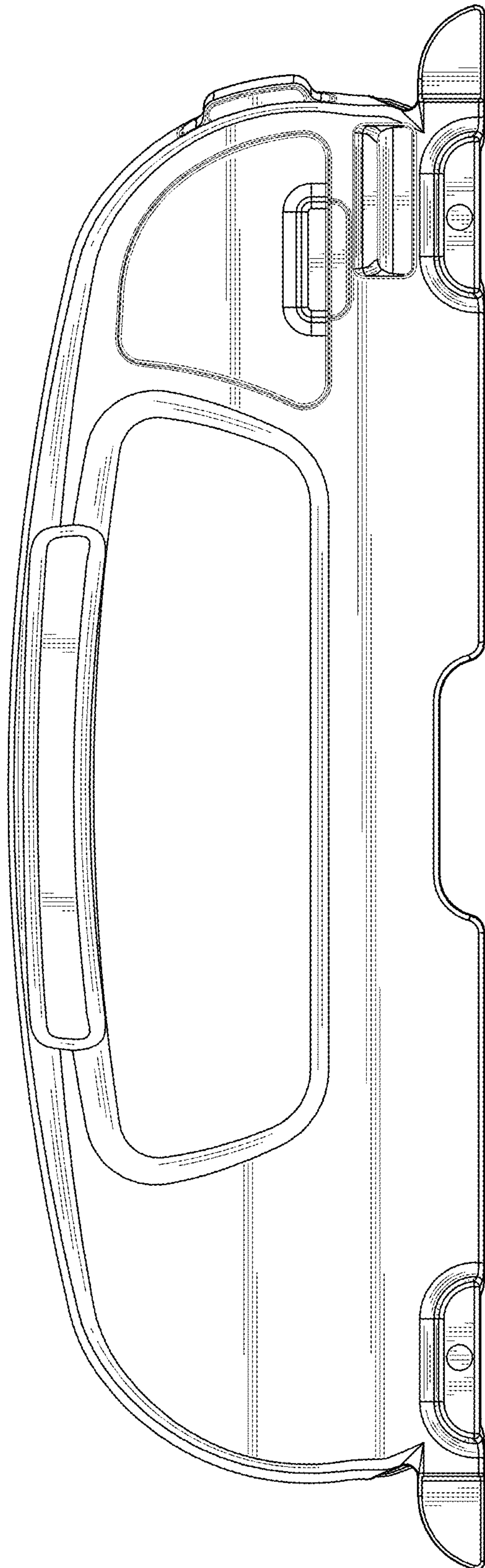


FIG. 15

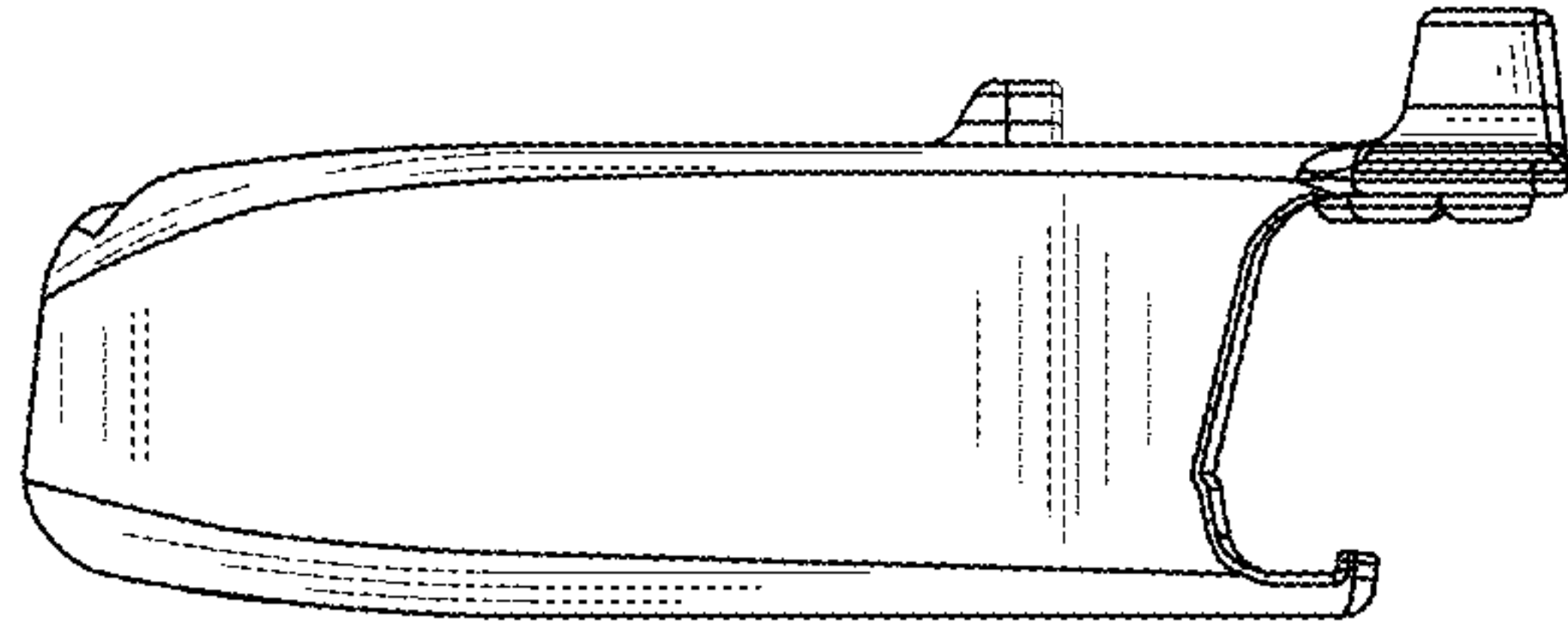


FIG. 17

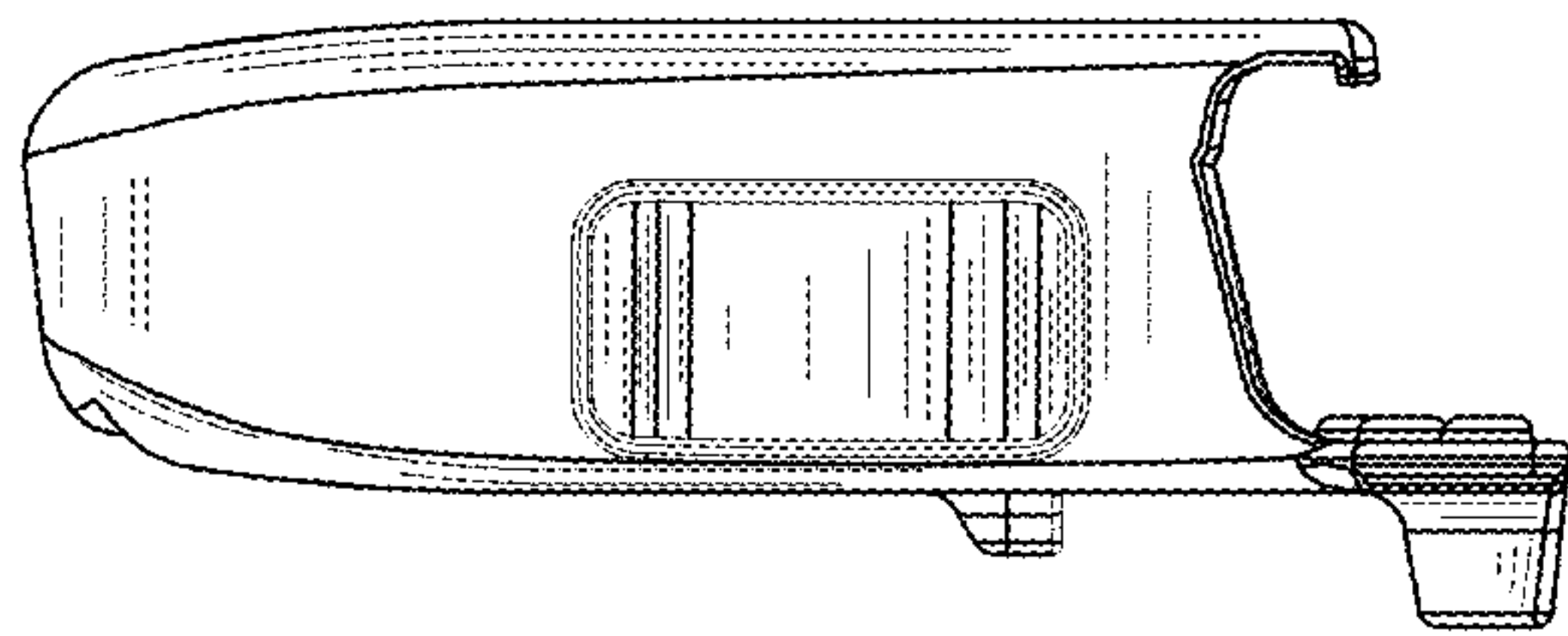


FIG. 16

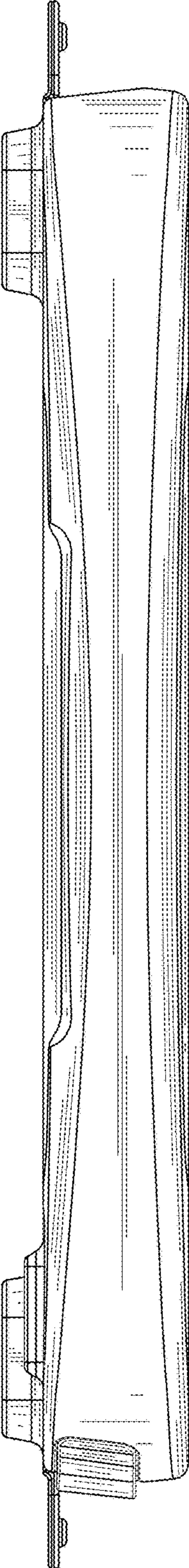


FIG. 18

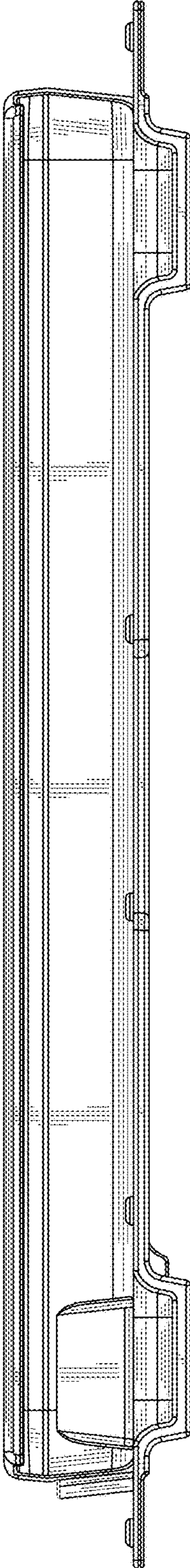


FIG. 19

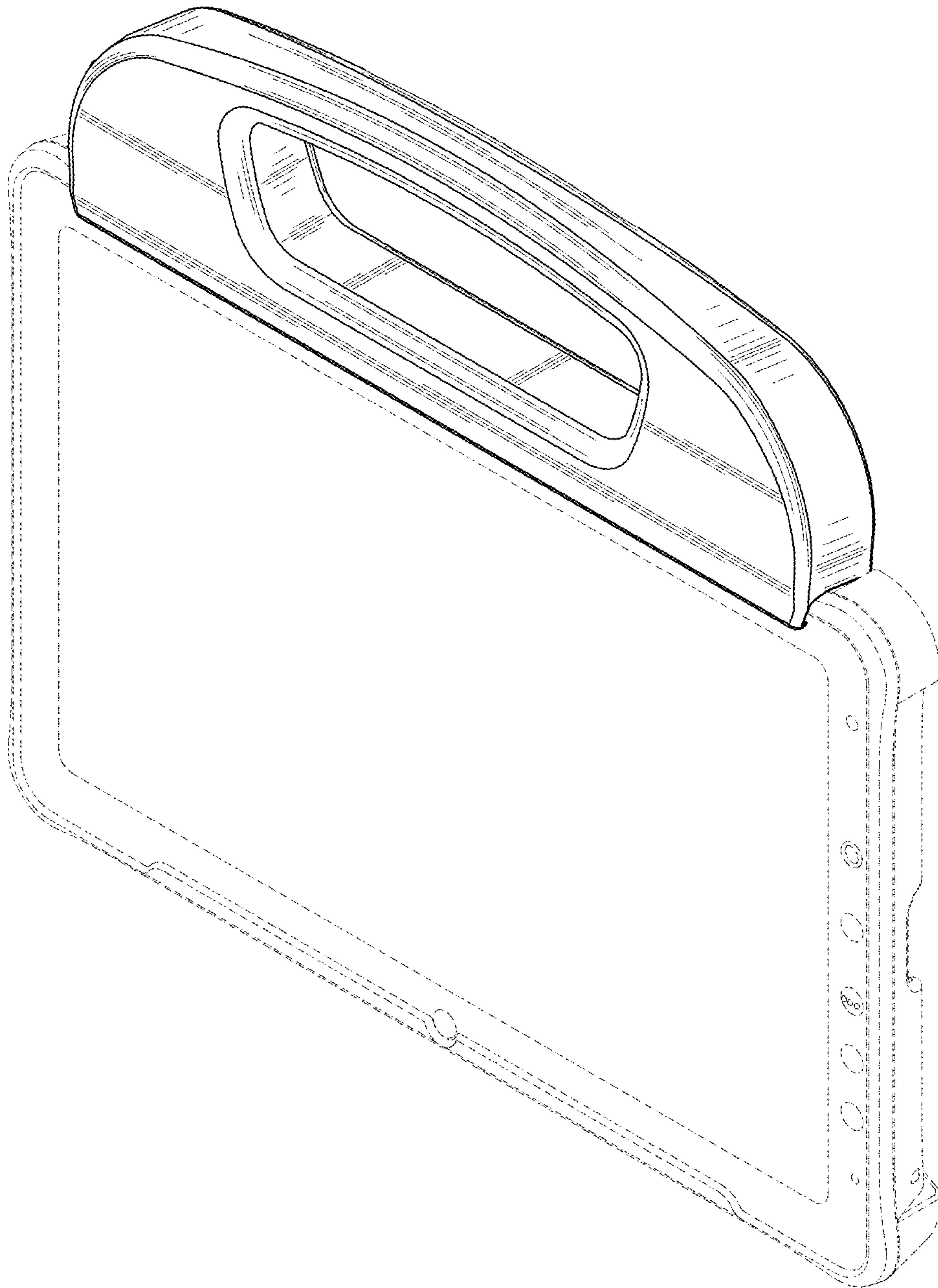


FIG. 20