



US00D792406S

(12) **United States Design Patent**  
**Shih et al.**

(10) **Patent No.:** **US D792,406 S**

(45) **Date of Patent:** **\*\* Jul. 18, 2017**

(54) **STYLUS SET**

(71) Applicant: **PEGATRON CORPORATION**, Taipei (TW)

(72) Inventors: **Meng-Hsuan Shih**, Taipei (TW);  
**Hsin-Fang Fan**, Taipei (TW)

(73) Assignee: **PEGATRON CORPORATION**, Taipei (TW)

(\*\*) Term: **15 Years**

(21) Appl. No.: **29/567,167**

(22) Filed: **Jun. 6, 2016**

(30) **Foreign Application Priority Data**

May 10, 2016 (TW) ..... 105302542

(51) **LOC (10) Cl.** ..... **14-02**

(52) **U.S. Cl.**  
USPC ..... **D14/413; D19/159**

(58) **Field of Classification Search**  
USPC ..... D14/411, 413, 356, 496, 432, 447;  
D21/324, 333; 178/19.01–19.07, 20.01;  
401/99, 100, 108, 196; 345/156, 162,  
345/172–184; 369/170–173  
CPC ..... G11B 3/00; G11B 3/48; G11B 3/58  
See application file for complete search history.

(56) **References Cited**

**U.S. PATENT DOCUMENTS**

3,626,595 A \* 12/1971 Hulen ..... B43L 13/02  
33/32.2  
4,442,517 A \* 4/1984 Brauer ..... G11B 3/58  
369/170

4,482,904 A \* 11/1984 Geiger ..... G01D 15/16  
346/140.1  
4,577,057 A \* 3/1986 Blessner ..... G06F 3/046  
178/18.02  
D305,424 S \* 1/1990 Pressley, Sr. .... D14/411  
5,340,972 A \* 8/1994 Sandor ..... G06K 7/10564  
235/462.44  
D384,048 S \* 9/1997 Myers ..... D14/411  
7,406,393 B2 \* 7/2008 Ely ..... G06F 1/3203  
702/150  
D695,741 S \* 12/2013 Wang ..... D14/411  
D711,882 S \* 8/2014 Yeo ..... D14/411  
9,164,598 B2 \* 10/2015 Pedersen ..... G06F 3/016  
9,189,084 B2 \* 11/2015 Hicks ..... G06F 3/033  
D754,129 S \* 4/2016 Kao ..... D14/411

\* cited by examiner

*Primary Examiner* — Prabhakar G Deshmukh

(74) *Attorney, Agent, or Firm* — J.C. Patents

(57) **CLAIM**

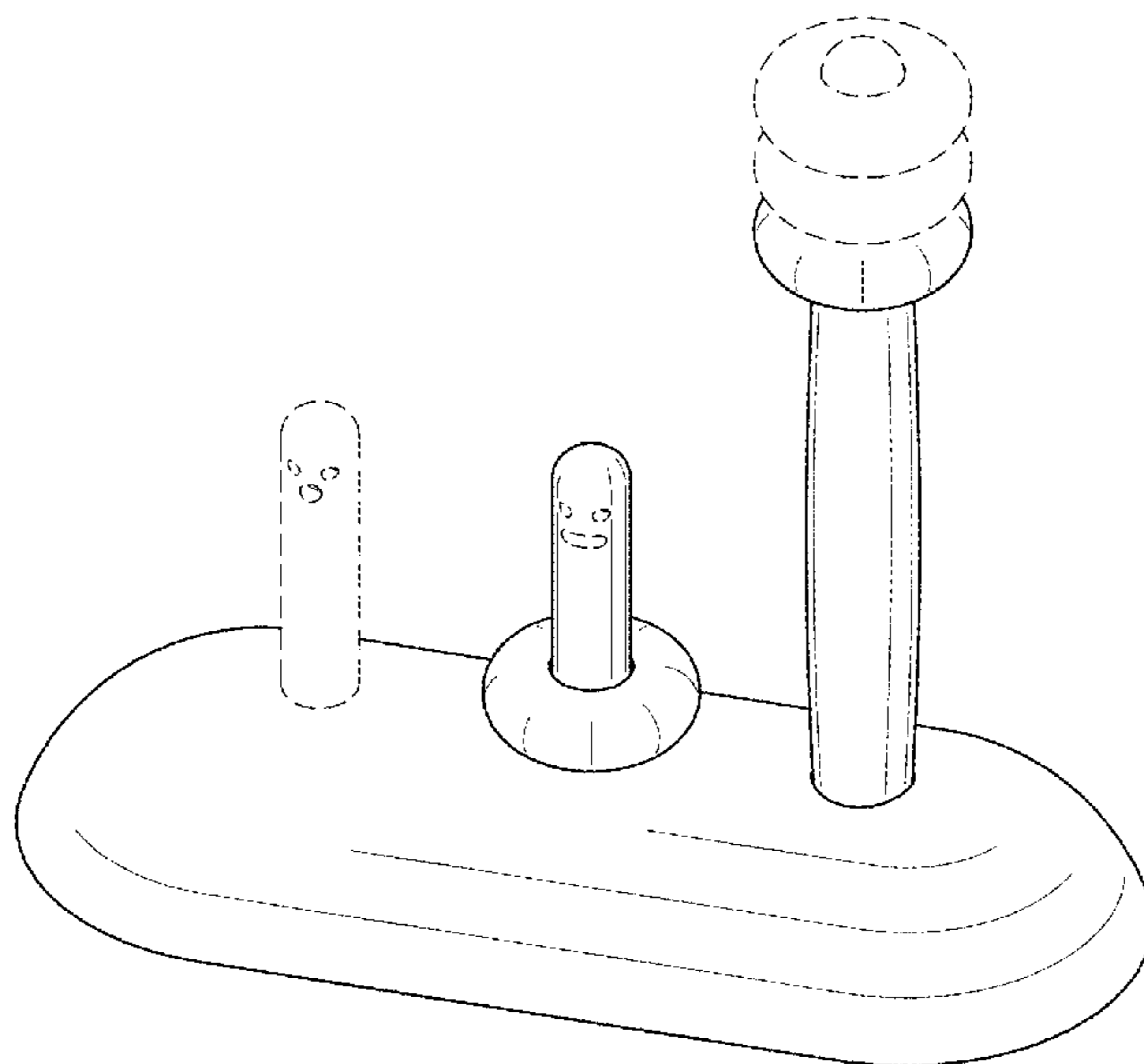
The ornamental design for a stylus set, as shown and described.

**DESCRIPTION**

FIG. 1 is a perspective view of a stylus set showing our new design;  
FIG. 2 is a front view thereof;  
FIG. 3 is a rear view thereof;  
FIG. 4 is a left view thereof;  
FIG. 5 is a right view thereof;  
FIG. 6 is a top view thereof;  
FIG. 7 is a bottom view thereof; and,  
FIG. 8 is an exploded view thereof.

The broken lines illustrate unclaimed portions and form no part of the claimed design. The dot-dash lines in the drawings define the boundary of the claim and form no part of the claimed design.

**1 Claim, 6 Drawing Sheets**



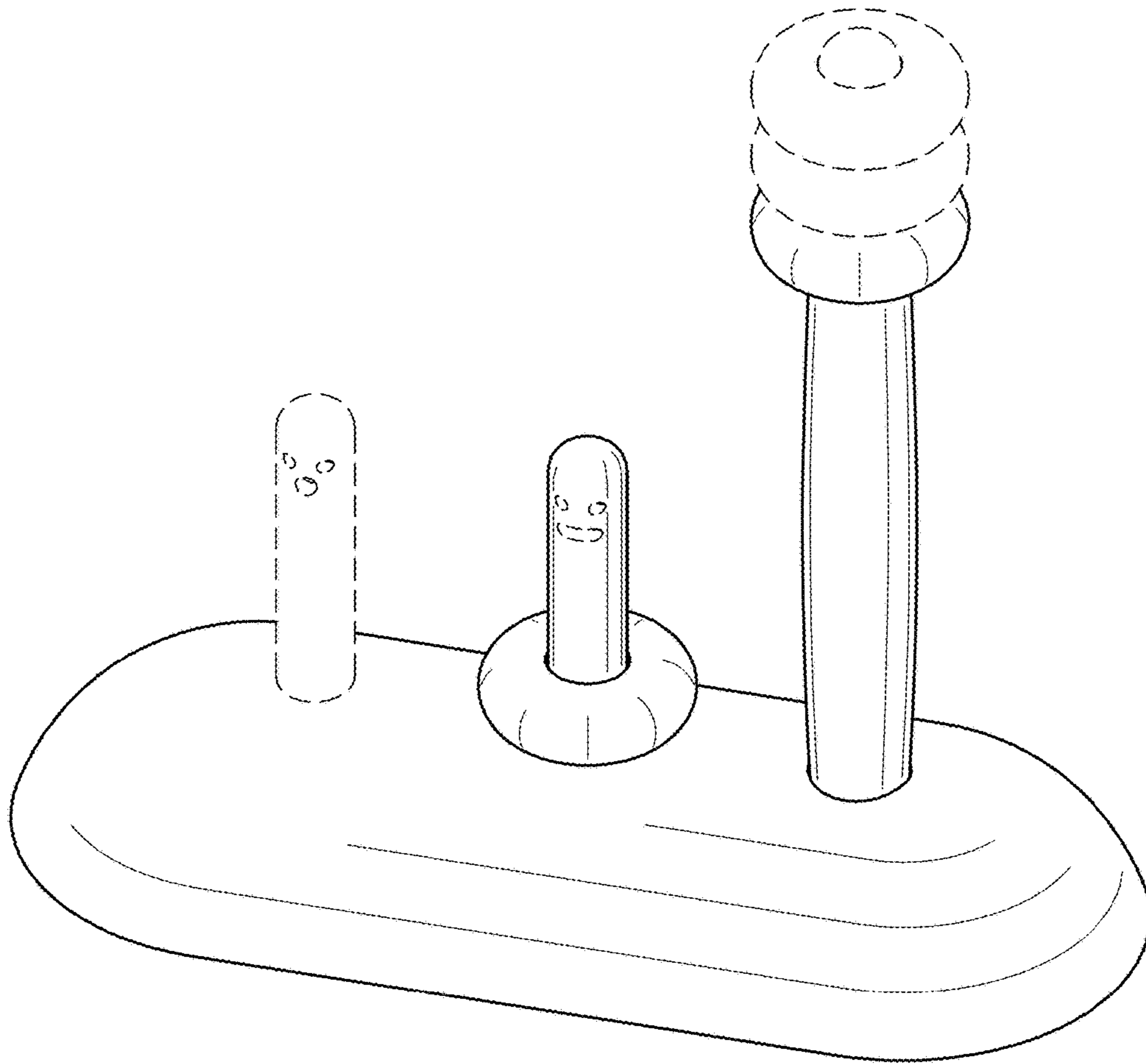


FIG. 1

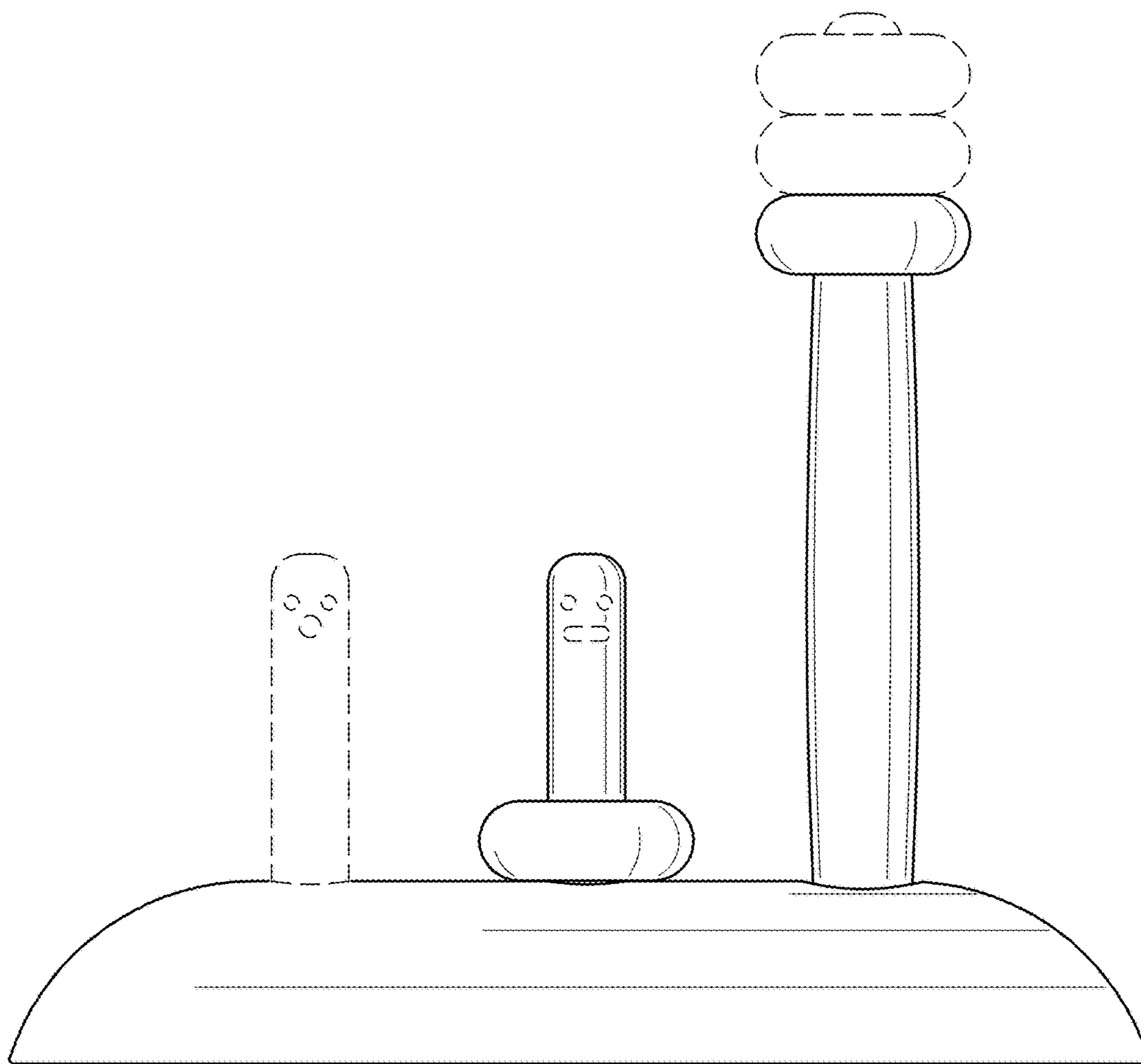


FIG. 2

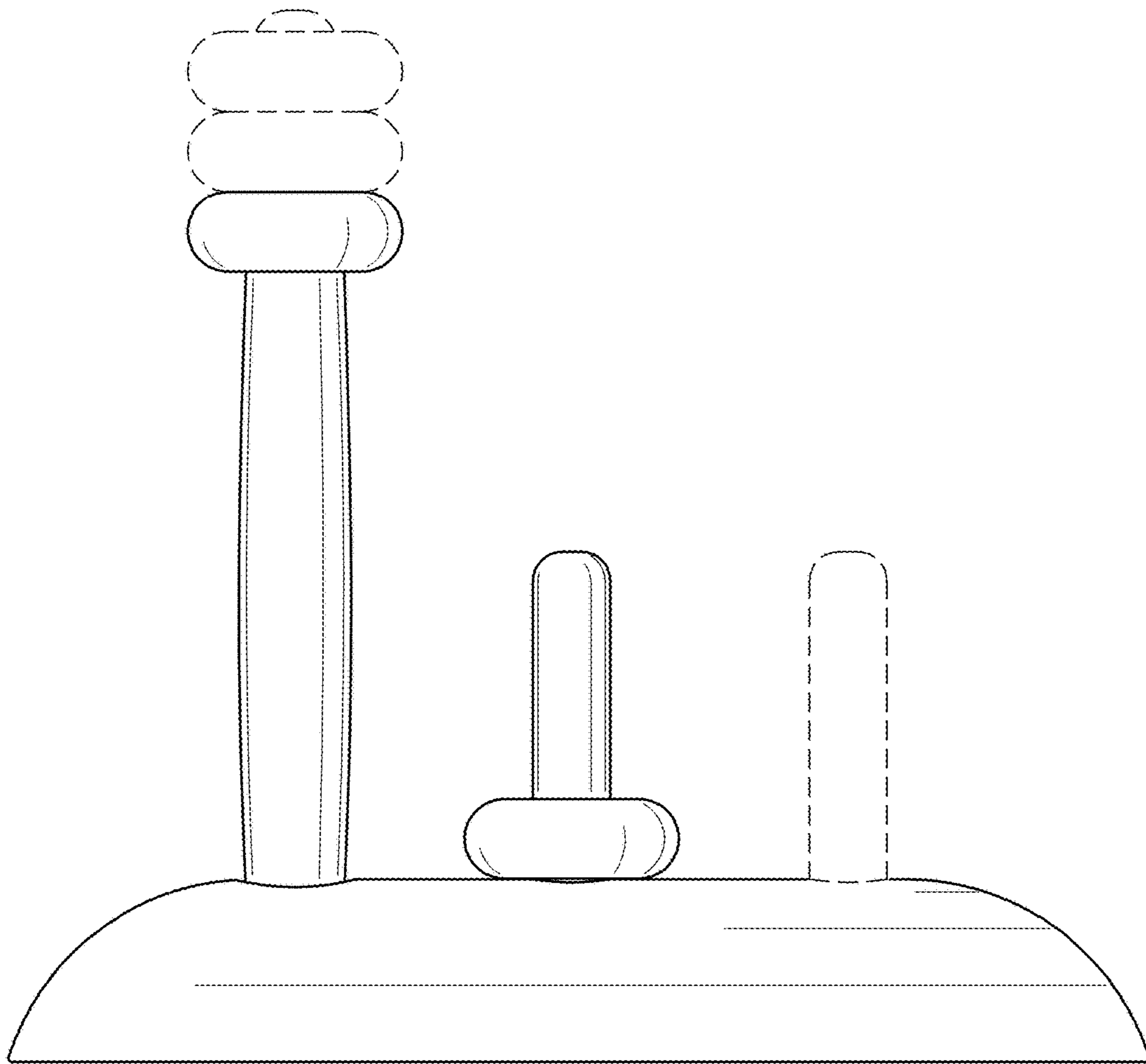


FIG. 3

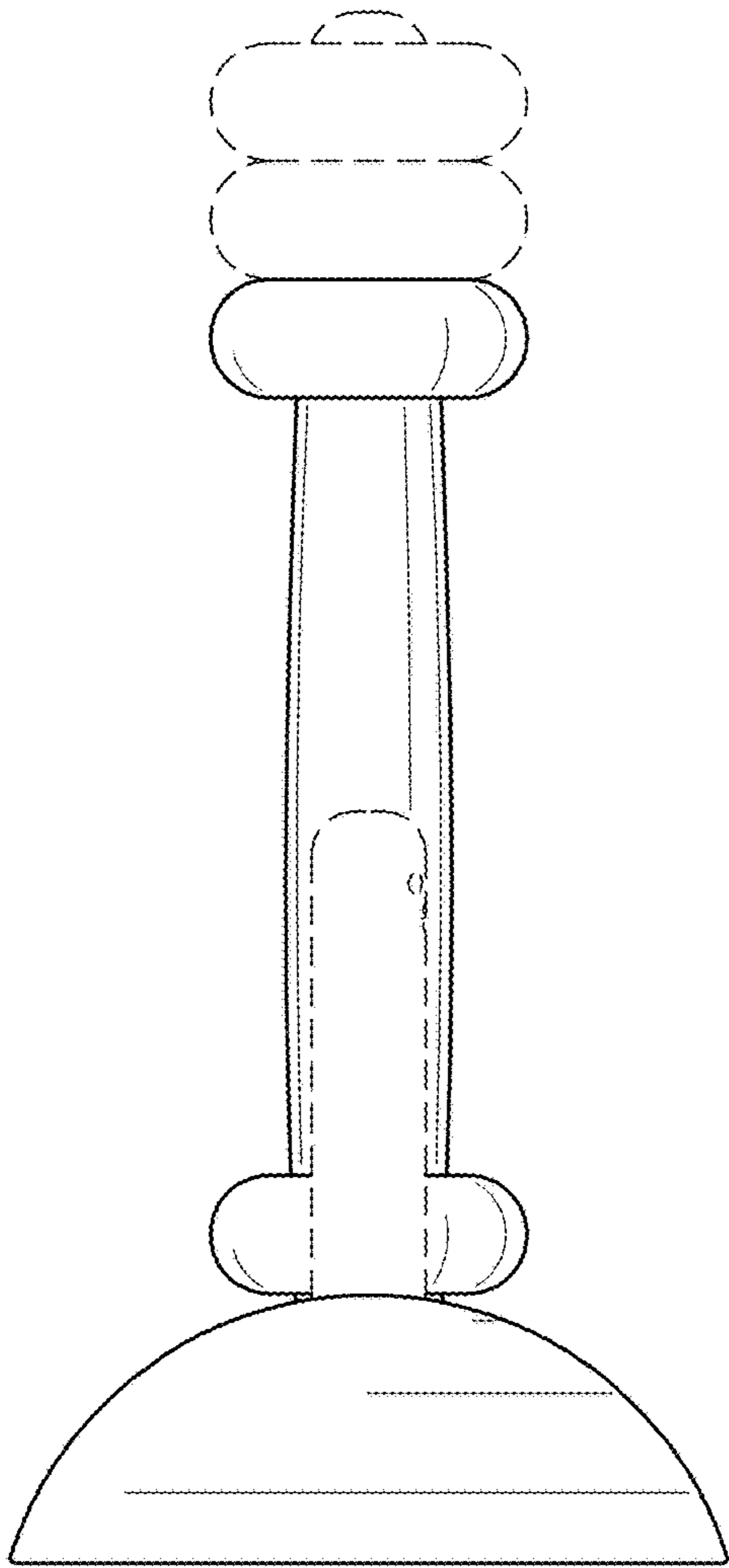


FIG. 4

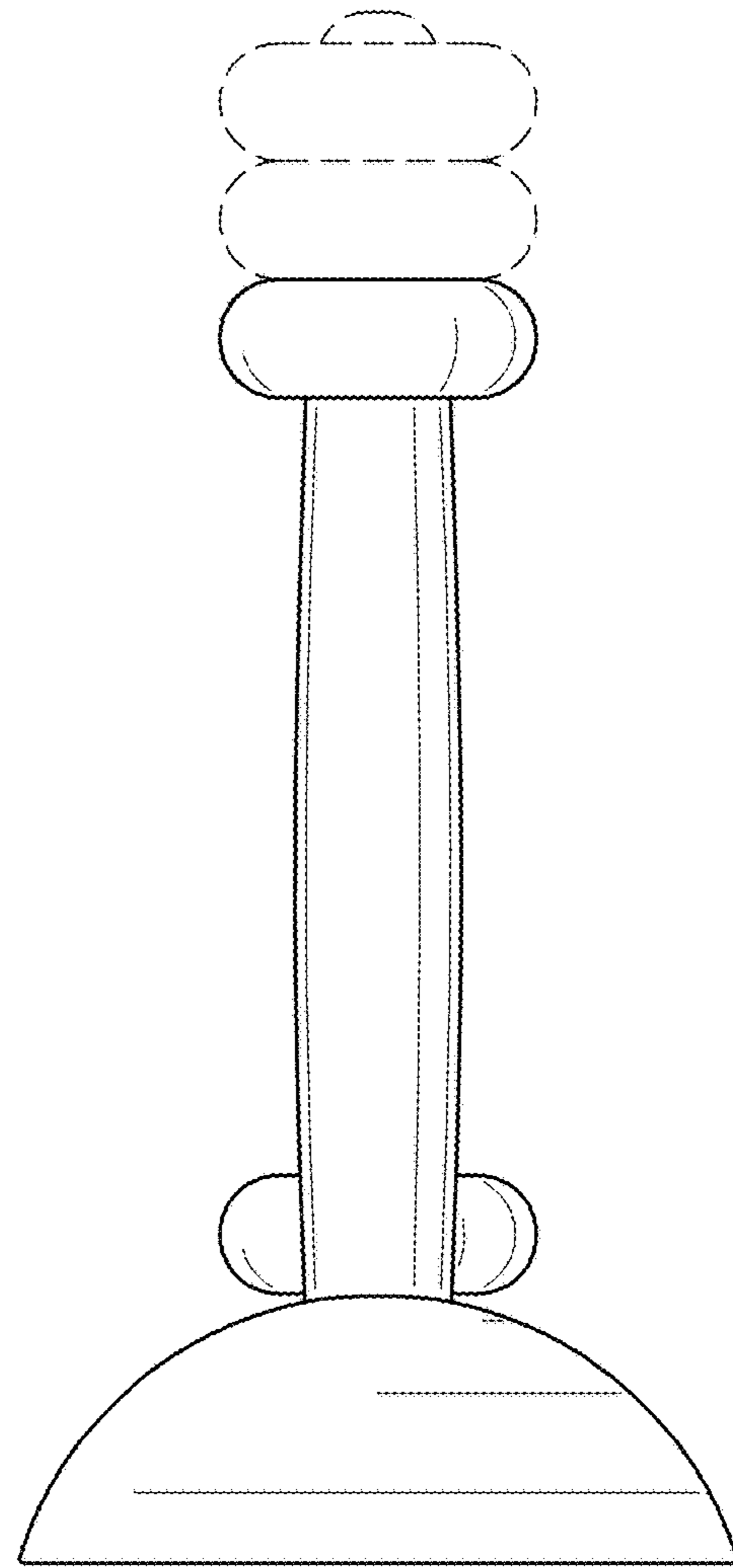


FIG. 5

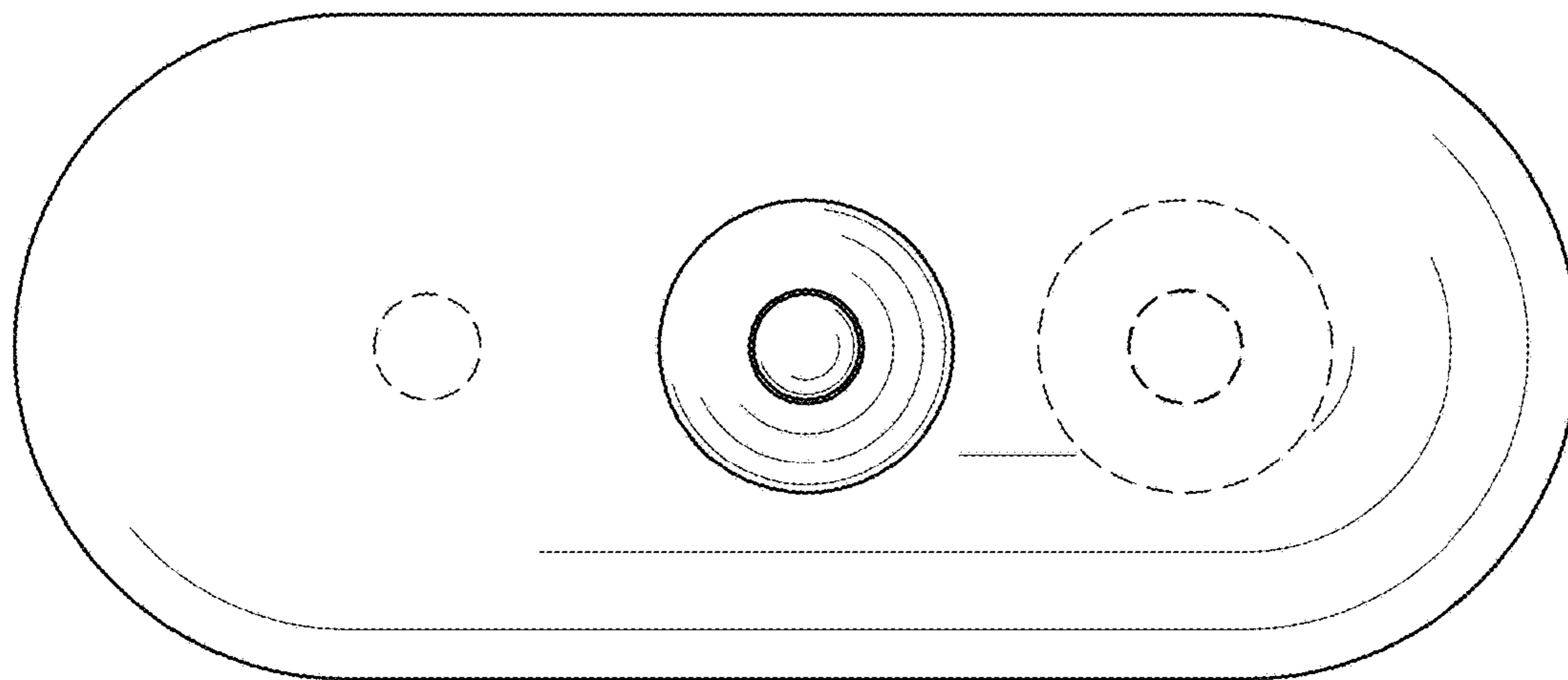


FIG. 6

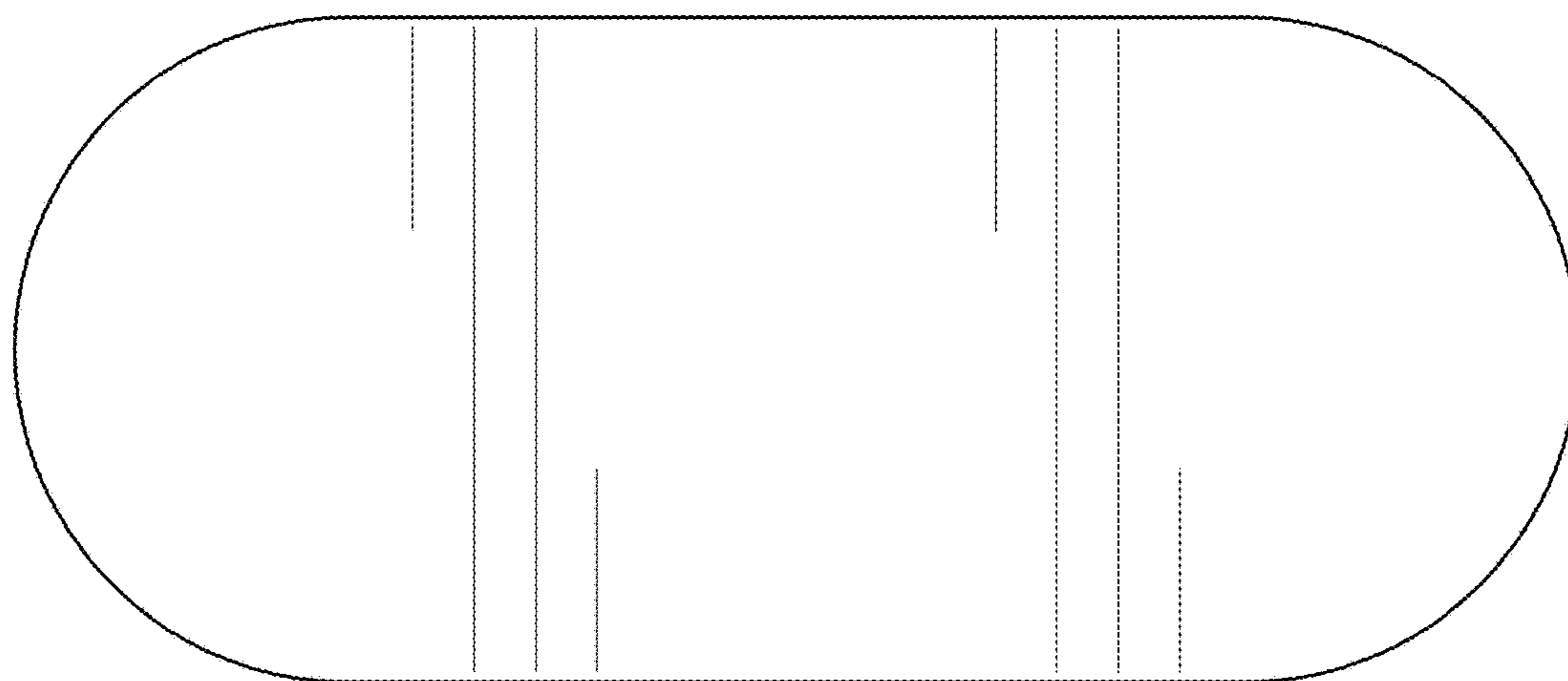


FIG. 7

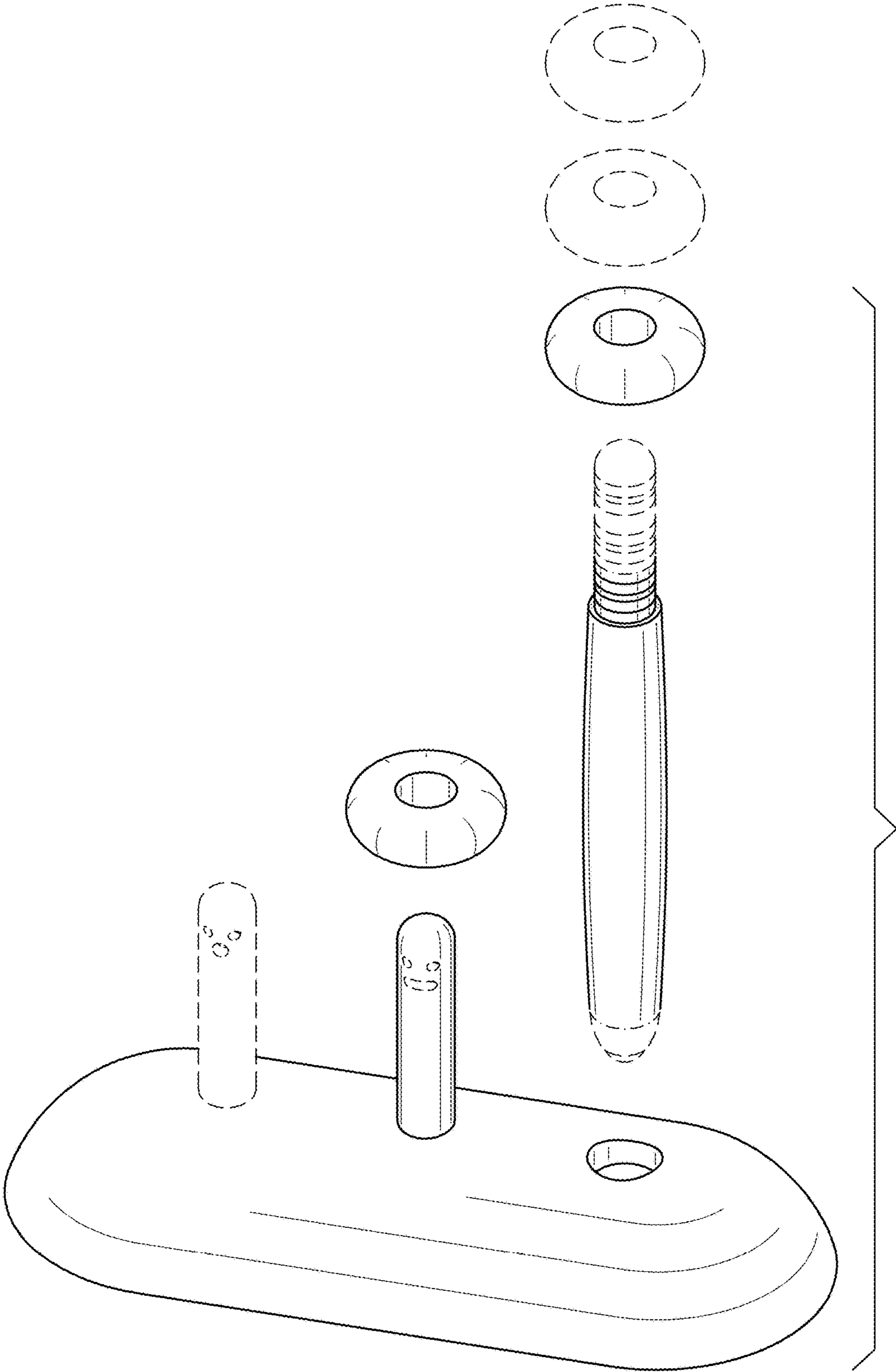


FIG. 8