



US00D792405S

(12) **United States Design Patent**
Bousfield

(10) **Patent No.:** **US D792,405 S**

(45) **Date of Patent:** **** Jul. 18, 2017**

(54) **READER MODULE**

(71) Applicant: **ASSA ABLOY AB**, Stockholm (SE)

(72) Inventor: **Randall Dennis Bousfield**, Arvada, CO (US)

(73) Assignee: **ASSA ABLOY AB**, Stockholm (SE)

(**) Term: **15 Years**

(21) Appl. No.: **29/557,095**

(22) Filed: **Mar. 4, 2016**

(51) **LOC (10) Cl.** **14-02**

(52) **U.S. Cl.**
USPC **D14/385**

(58) **Field of Classification Search**

USPC D14/356-358, 383-385, 420, 426, 427,
D14/432-439, 447, 453, 454, 217, 253,
D14/299; D13/107, 108, 133, 146, 147,
D13/152, 154, 156, 158, 162, 162.1, 168,
D13/173, 177, 102; 235/441, 451, 492,
235/380, 439, 375; 361/679.31, 600,
361/679.01, 679.02

CPC G06Q 20/347; G06Q 20/322; G06Q 40/02;
G06Q 30/06; G07F 7/0886

See application file for complete search history.

(56) **References Cited**

U.S. PATENT DOCUMENTS

D351,152 S * 10/1994 Liu D14/385
6,543,689 B2 * 4/2003 Sabella G06Q 20/341
235/383
D480,725 S * 10/2003 Funato D14/383
D585,056 S * 1/2009 Ekelund D14/336
D653,664 S * 2/2012 Turnbull D14/385

D660,834 S * 5/2012 Akana D14/314
D671,118 S * 11/2012 Wesolek D14/385
D701,860 S * 4/2014 Daniel D14/307
D705,201 S * 5/2014 Isaacs D14/240
D730,355 S * 5/2015 Daniel D14/307
D730,899 S * 6/2015 Daniel D14/385
D736,207 S * 8/2015 Bousfield D14/385
D766,901 S * 9/2016 Nguyen D14/385
D774,510 S * 12/2016 Rotsaert D14/385

* cited by examiner

Primary Examiner — Austin Murphy

(74) *Attorney, Agent, or Firm* — Sheridan Ross P.C.

(57) **CLAIM**

The ornamental design for a reader module, as shown and described.

DESCRIPTION

FIG. 1 is a perspective view of a top perspective view, showing my new design;

FIG. 2 is a front elevation view of the reader module illustrated in FIG. 1;

FIG. 3 is a rear elevation view of the reader module illustrated in FIG. 1;

FIG. 4 is a right side elevation view of the reader module illustrated in FIG. 1;

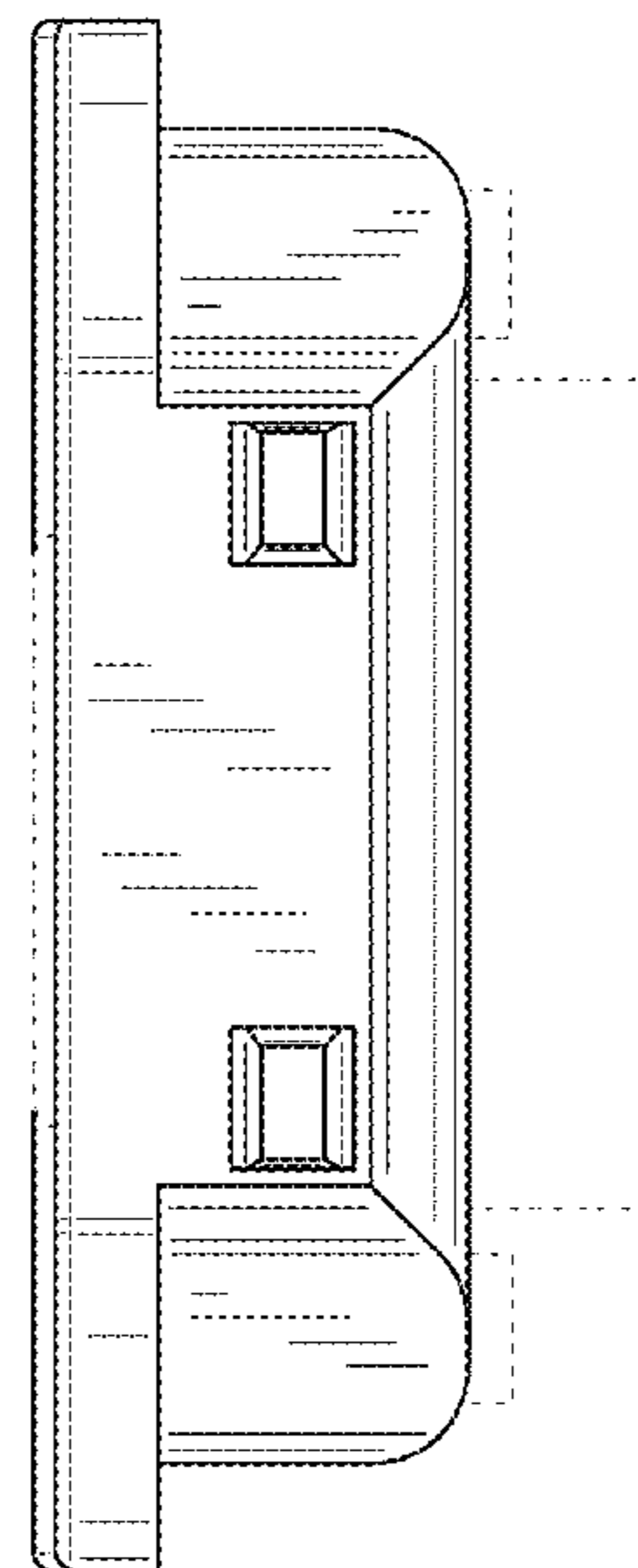
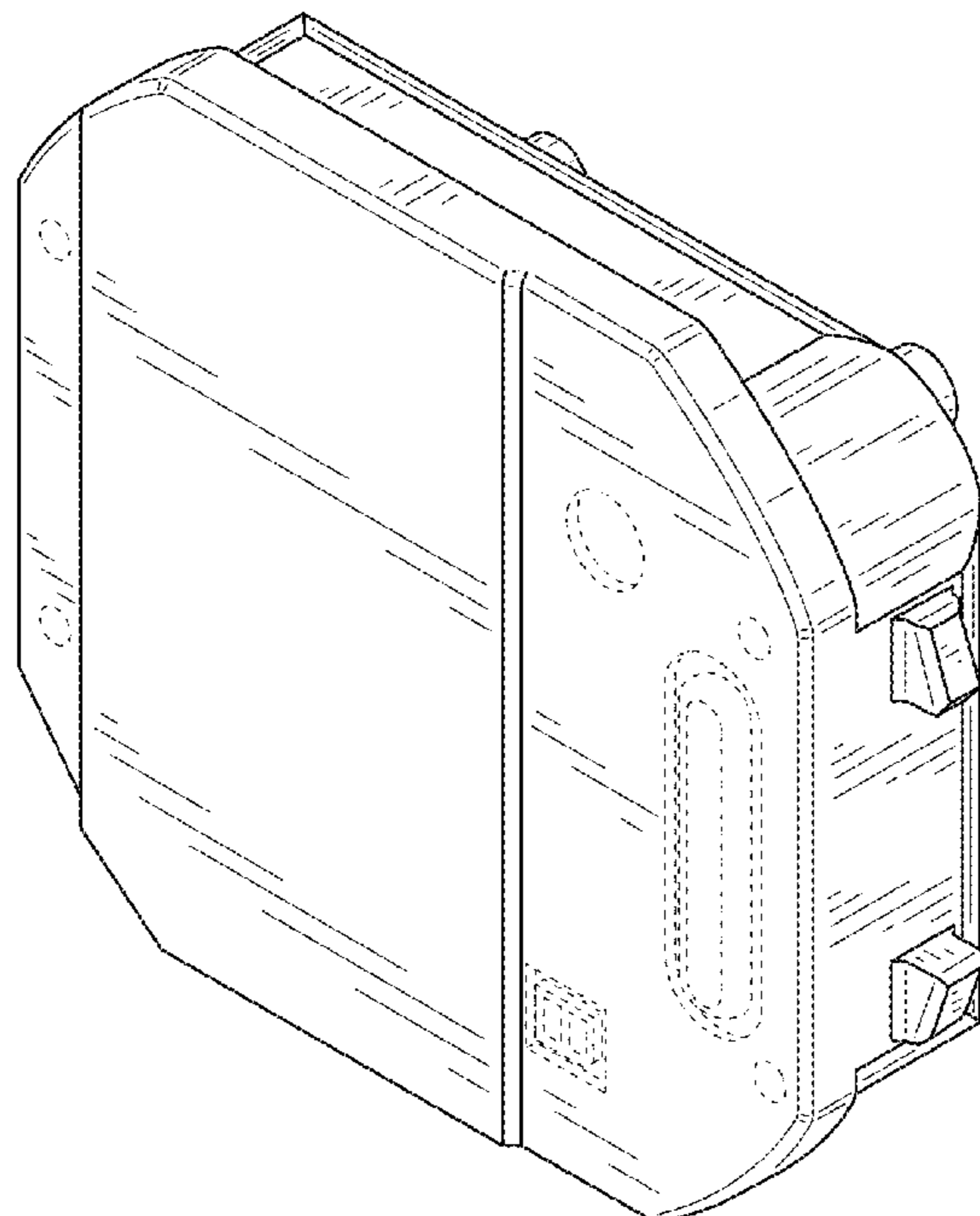
FIG. 5 is a left side elevation view of the reader module illustrated in FIG. 1;

FIG. 6 is a top plan view of the reader module illustrated in FIG. 1; and,

FIG. 7 is a bottom plan view of the reader module illustrated in FIG. 1.

The broken lines showing environment are for illustrative purposes only and form no part of the claimed design.

1 Claim, 6 Drawing Sheets



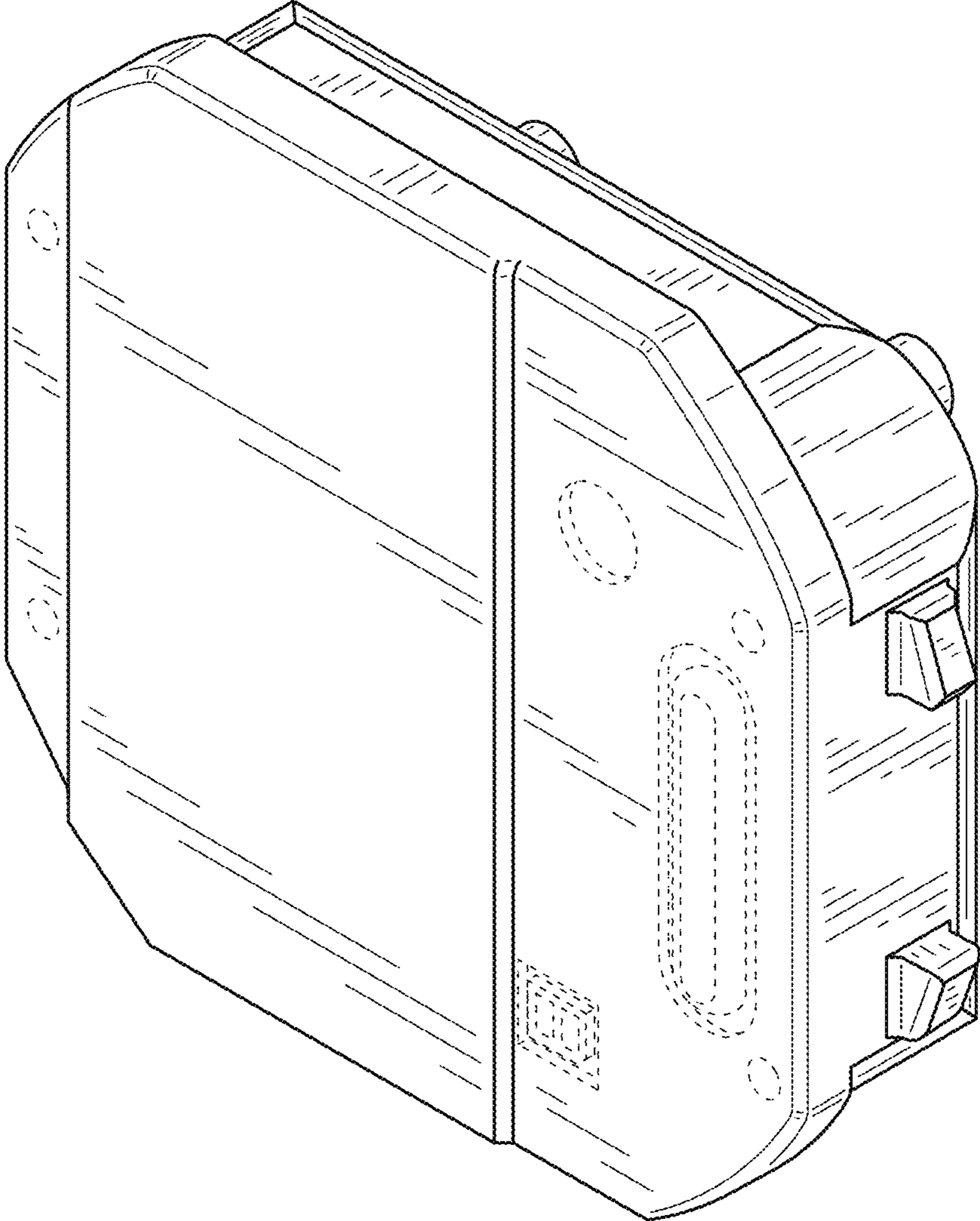


FIG.1

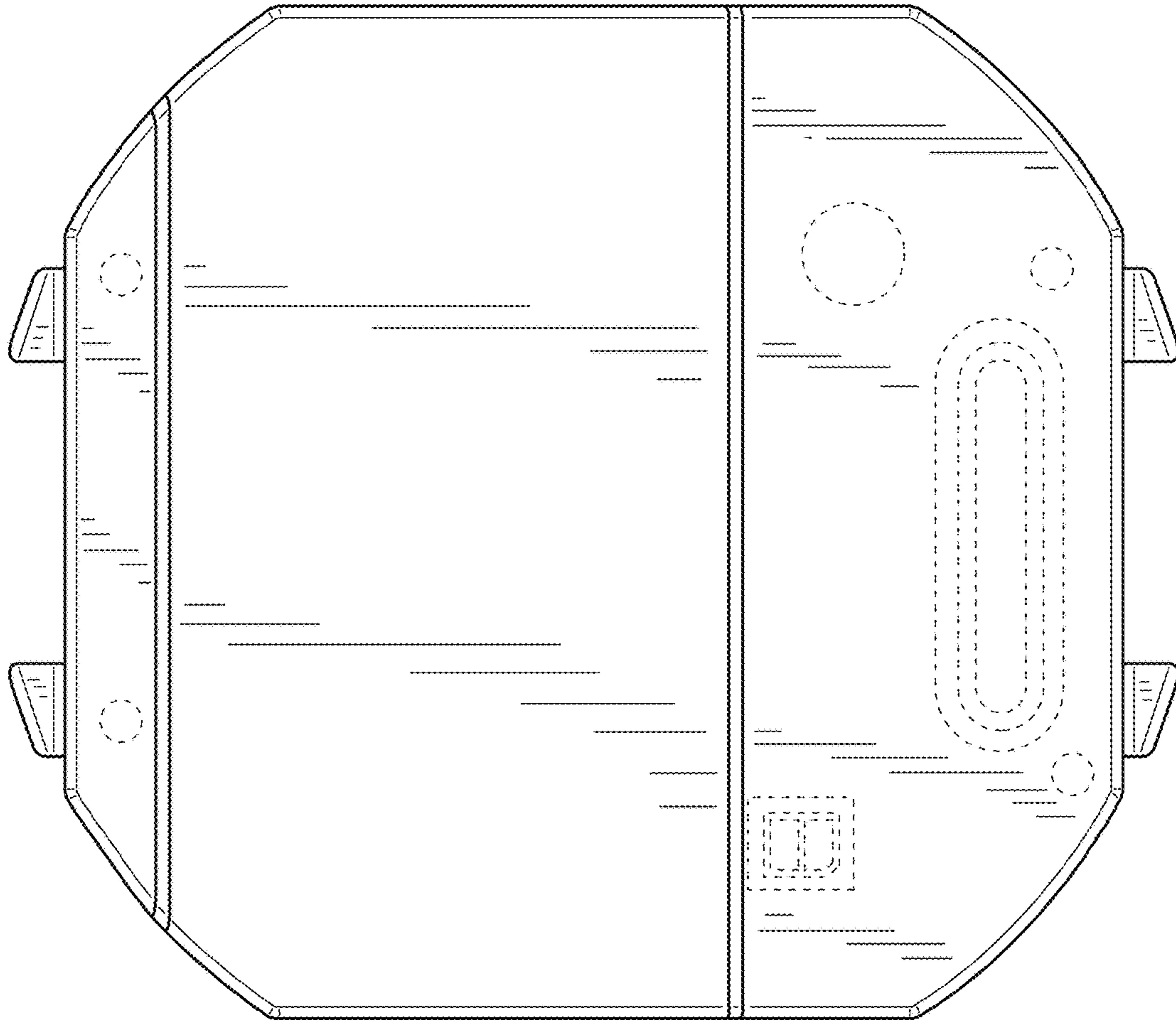


FIG.2

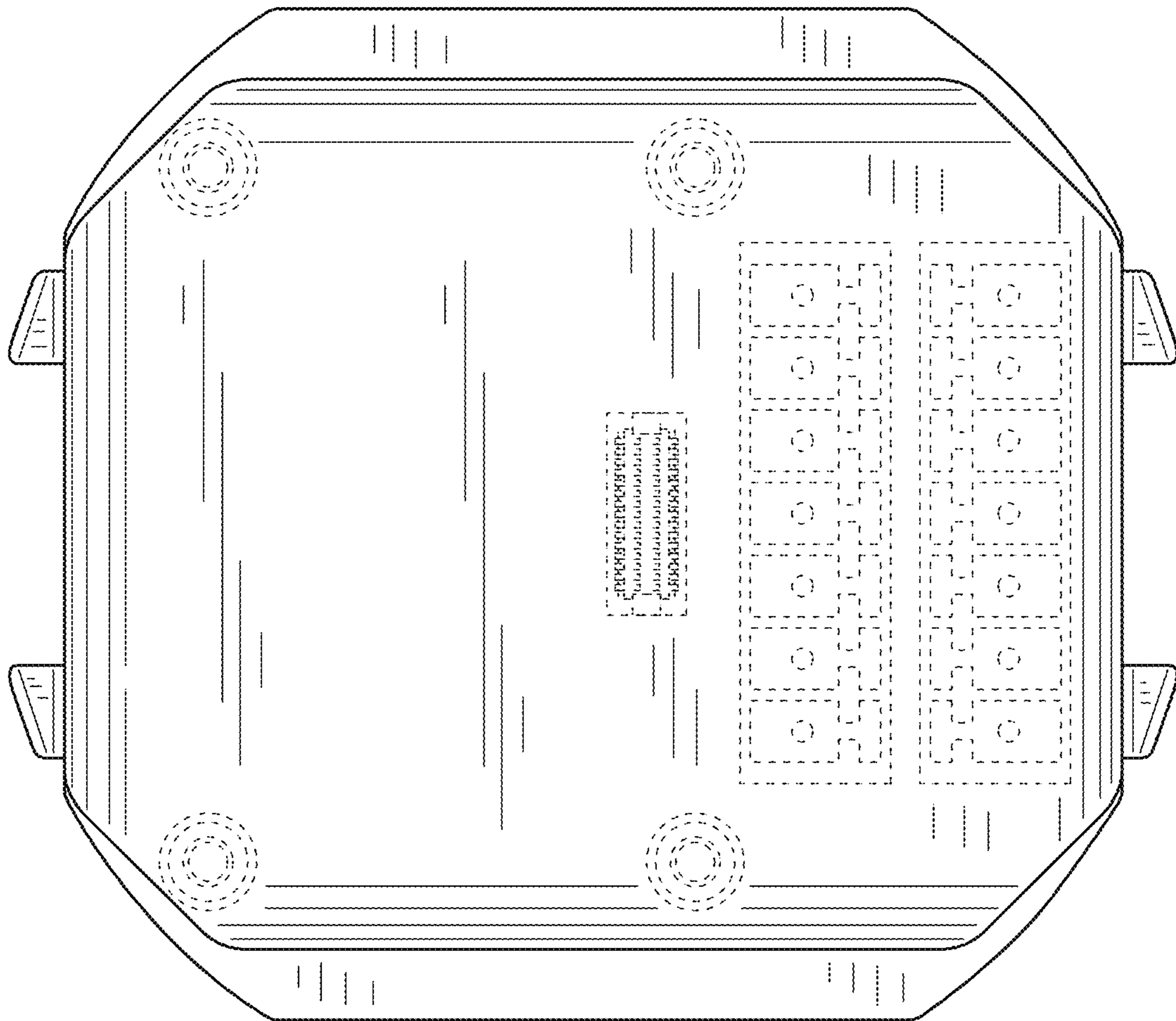


FIG.3

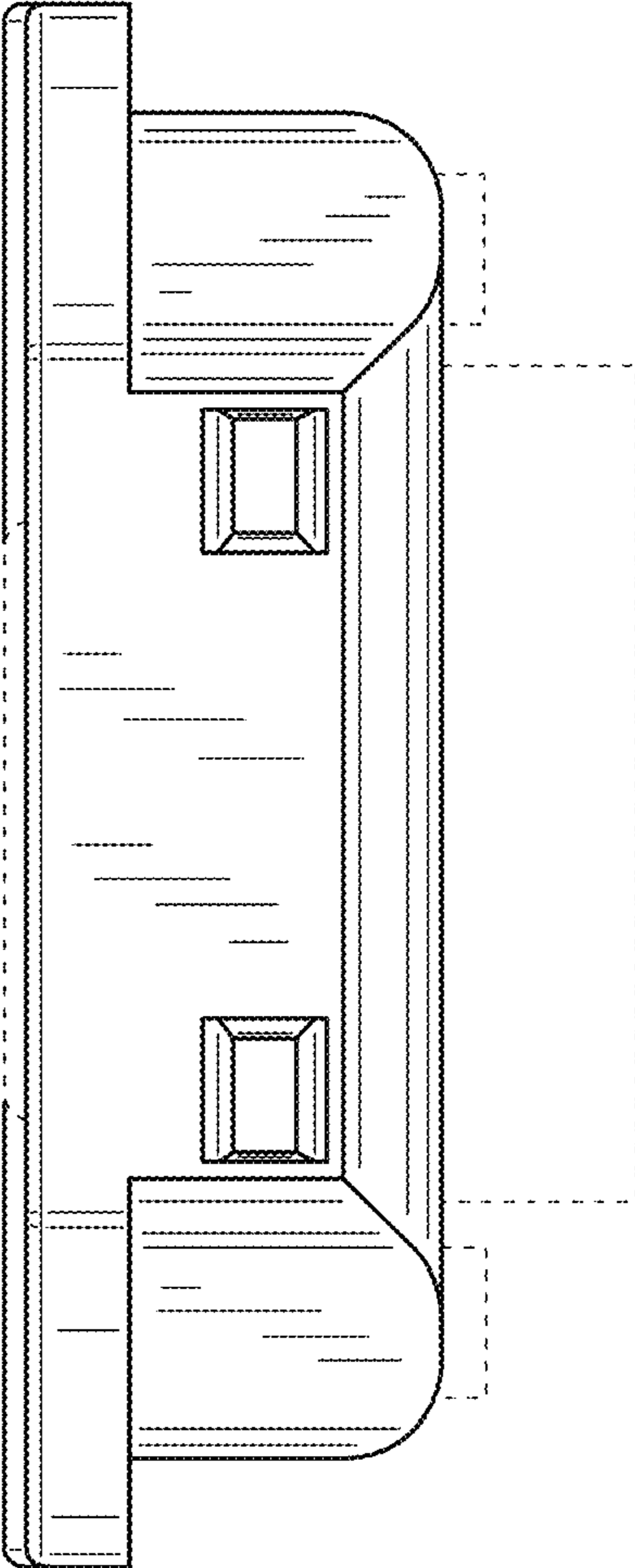


FIG.4

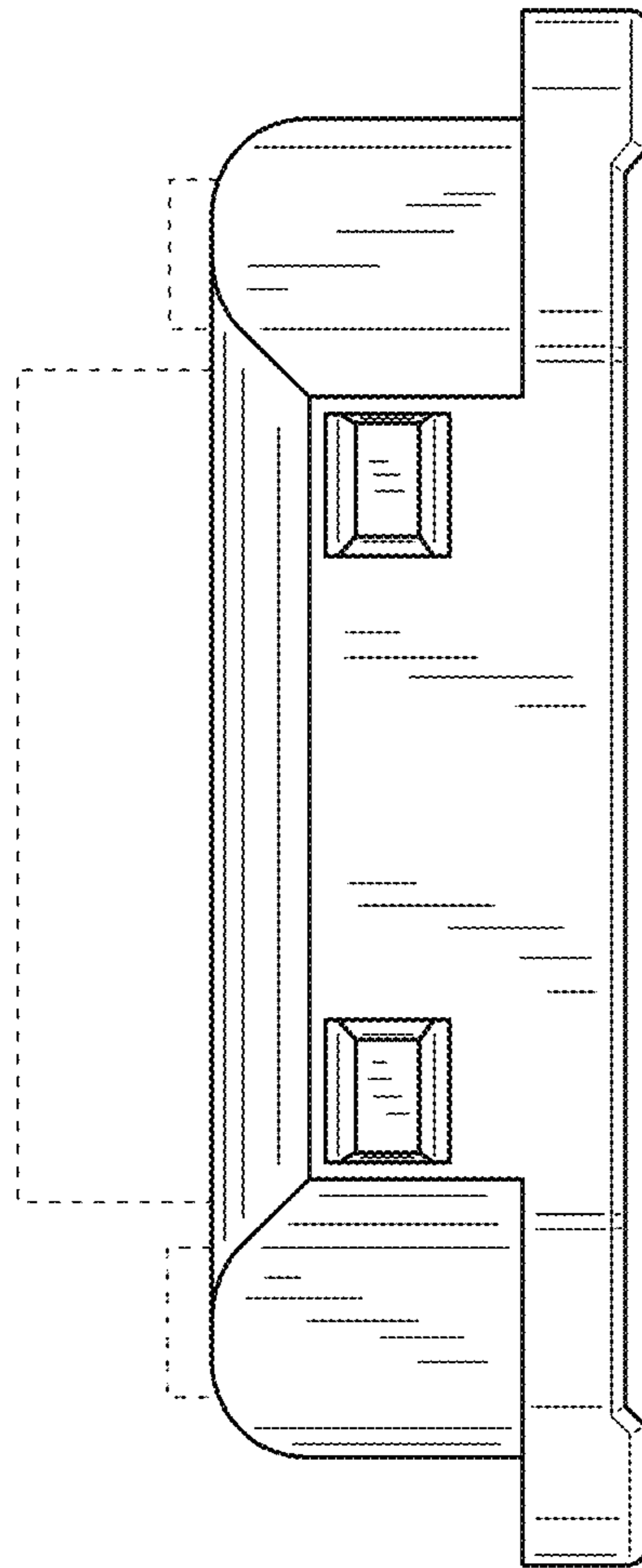


FIG.5

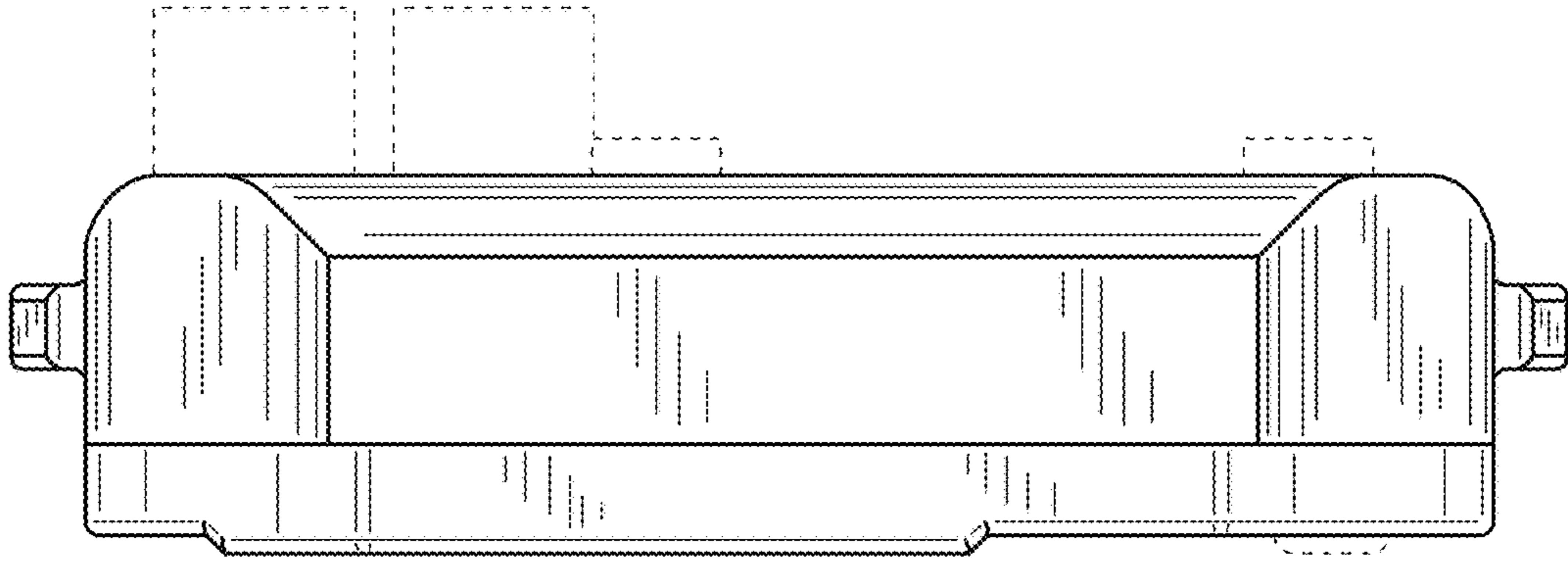


FIG. 6

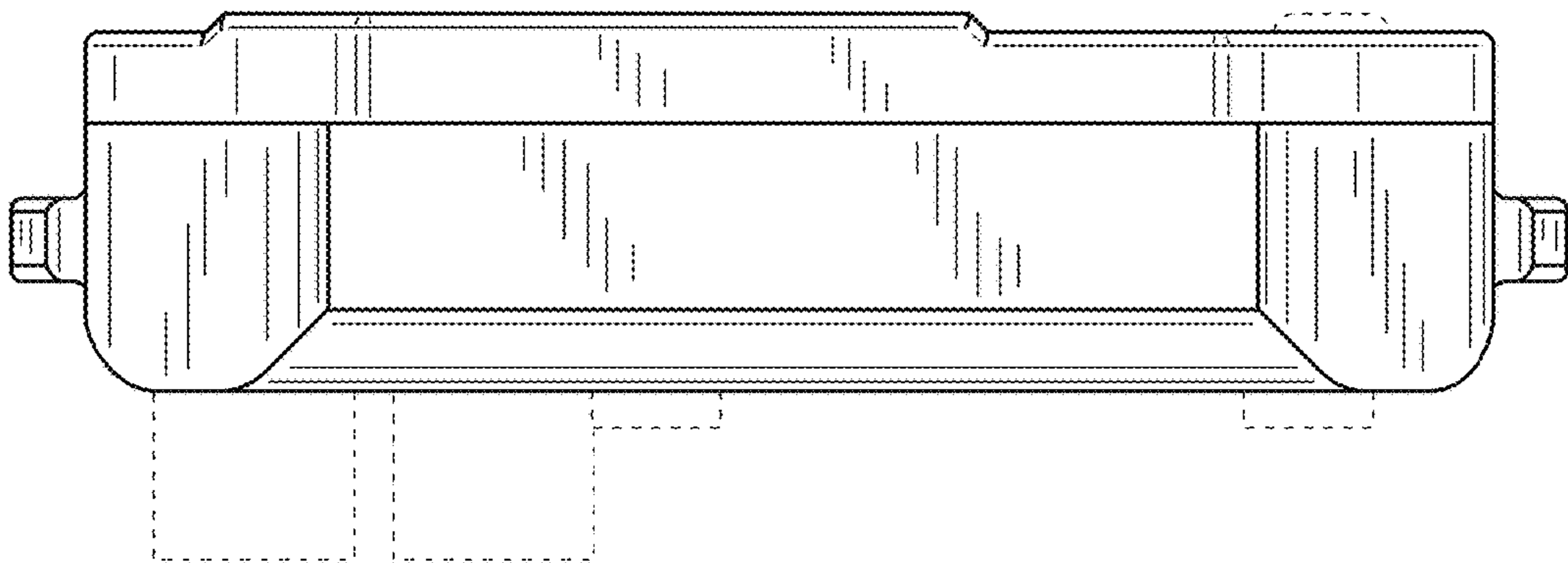


FIG. 7