



US00D792403S

(12) **United States Design Patent** (10) **Patent No.:** **US D792,403 S**
Nott et al. (45) **Date of Patent:** **** *Jul. 18, 2017**

(54) **ELECTRONIC DEVICE**
(71) Applicant: **The Payments Foundry LLC**, New Canaan, CT (US)
(72) Inventors: **Madhusudan Nott**, New Canaan, CT (US); **Anil Jacob**, Mickleton, NJ (US); **Blake Ramsay McEldowney**, Barcelona (ES); **Reto Schneller**, Barcelona (ES)
(73) Assignee: **The Payments Foundry LLC**, New Canaan, CT (US)
(*) Notice: This patent is subject to a terminal disclaimer.
(**) Term: **15 Years**
(21) Appl. No.: **29/558,121**
(22) Filed: **Mar. 15, 2016**
(51) **LOC (10) Cl.** **14-02**
(52) **U.S. Cl.**
USPC **D14/384**; D19/10
(58) **Field of Classification Search**
USPC D18/4.4, 4.5, 4.6, 12.1, 5; D14/383, 384, D14/356, 358, 300, 314, 341, 496, 240; D19/10, 11; D11/78.1, 79; D10/49
CPC G06K 9/00006; G06K 9/00026; G06K 9/00087; G06K 7/0013; G06F 21/00; G06Q 30/00
See application file for complete search history.

(56) **References Cited**
U.S. PATENT DOCUMENTS
D354,745 S * 1/1995 Lynn D14/384
D434,764 S * 12/2000 Norrlund D14/384
D491,953 S * 6/2004 Arakaki D14/383
D494,175 S * 8/2004 Kawasaki D14/384
D514,105 S * 1/2006 Ohta D14/384

D522,510 S * 6/2006 Su D14/384
D537,445 S * 2/2007 Bousfield D14/383
D565,436 S * 4/2008 McDarby D10/104.1
D569,425 S * 5/2008 Law D14/436
D575,815 S * 8/2008 Hammad D14/436
D575,816 S * 8/2008 Law D14/436
D576,912 S * 9/2008 Yuengling D11/78.1
D586,346 S * 2/2009 Robinson D14/383
D591,291 S * 4/2009 Robinson D14/383
D593,559 S * 6/2009 Lin D14/384
D611,942 S * 3/2010 Kemery D14/341
D621,397 S * 8/2010 Andre D14/314
D631,479 S * 1/2011 Komuro D14/422
D636,986 S * 5/2011 Idsoe D3/208
D650,377 S * 12/2011 Akana D14/314
D678,935 S * 3/2013 Wesolek D18/4.4
D693,874 S * 11/2013 Daniel D19/10
D701,900 S * 4/2014 Daniel D19/10
D719,860 S * 12/2014 Just D10/77
D727,321 S * 4/2015 LaBorde D14/383
D733,598 S * 7/2015 Just D10/77
D736,935 S * 8/2015 Just D24/187

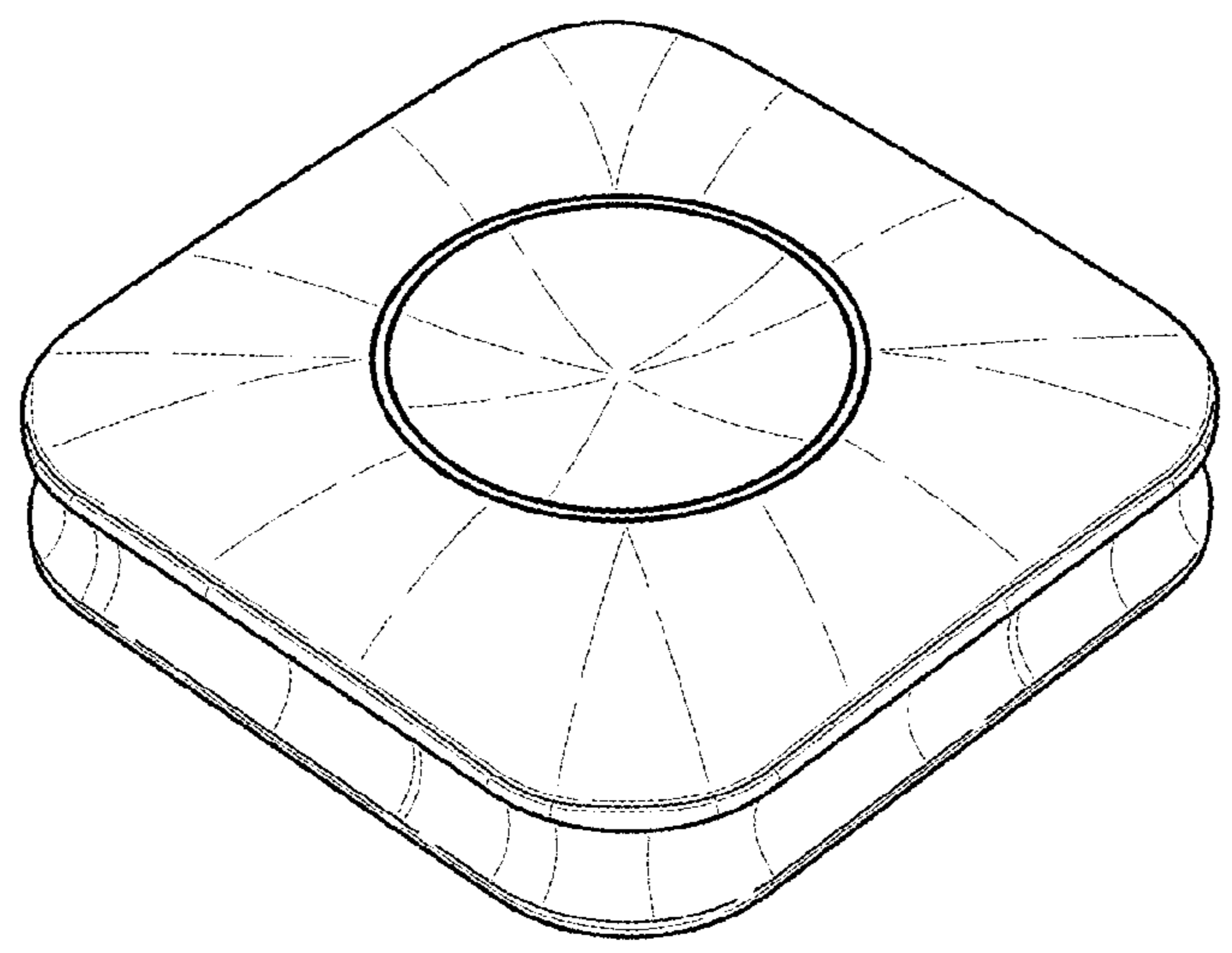
(Continued)

Primary Examiner — Susan Bennett Hattan
Assistant Examiner — Marie Fast Horse
(74) *Attorney, Agent, or Firm* — Crowell & Moring LLP

(57) **CLAIM**
The ornamental design for an electronic device, as shown and described.

DESCRIPTION
FIG. 1 is a top perspective view of an electronic device according to our new design;
FIG. 2 is a bottom perspective view thereof;
FIG. 3 is a front view thereof, the rear view and left and right side views being identical;
FIG. 4 is a top view thereof; and,
FIG. 5 is a bottom view thereof.
The drawings include surface shading that represents contour and not surface ornamentation.

1 Claim, 2 Drawing Sheets



(56)

References Cited

U.S. PATENT DOCUMENTS

D749,570	S	2/2016	Lee	
D752,044	S	3/2016	Akana et al.	
D753,100	S *	4/2016	Magi	D14/300
D755,179	S *	5/2016	Wong	D14/384
D759,011	S	6/2016	Akana et al.	
D761,260	S *	7/2016	Luo	D14/383
D764,463	S *	8/2016	Dwivedula	D14/358
D765,073	S *	8/2016	Niizawa	D14/356
D766,893	S	9/2016	Akana et al.	
D767,567	S *	9/2016	McWilliam	D14/358
D767,568	S *	9/2016	McWilliam	D14/358
D769,869	S	10/2016	Zhou et al.	
D769,876	S *	10/2016	Aoyagi	D14/432
D771,043	S *	11/2016	Avetisov	D14/384
D771,050	S *	11/2016	Morgeneier	D14/426
D773,948	S *	12/2016	Schneid	D10/106.2
D777,169	S *	1/2017	Cobbett	D14/480.4
2003/0132292	A1 *	7/2003	Gomez	G06Q 20/00 235/383
2005/0111707	A1 *	5/2005	Bohn	G06K 9/00026 382/124
2014/0341447	A1 *	11/2014	Cho	G06K 9/00087 382/124

* cited by examiner

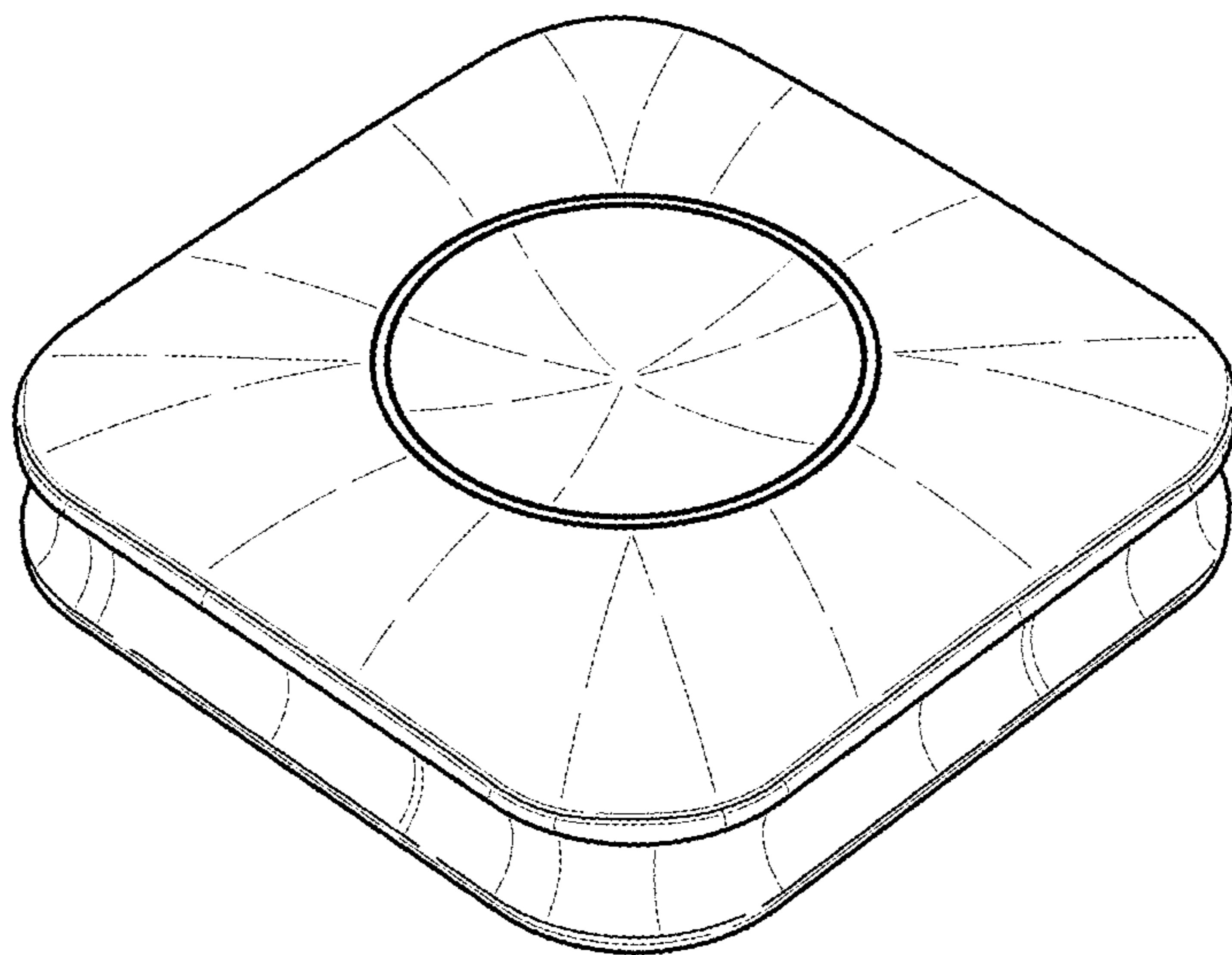


Fig. 1

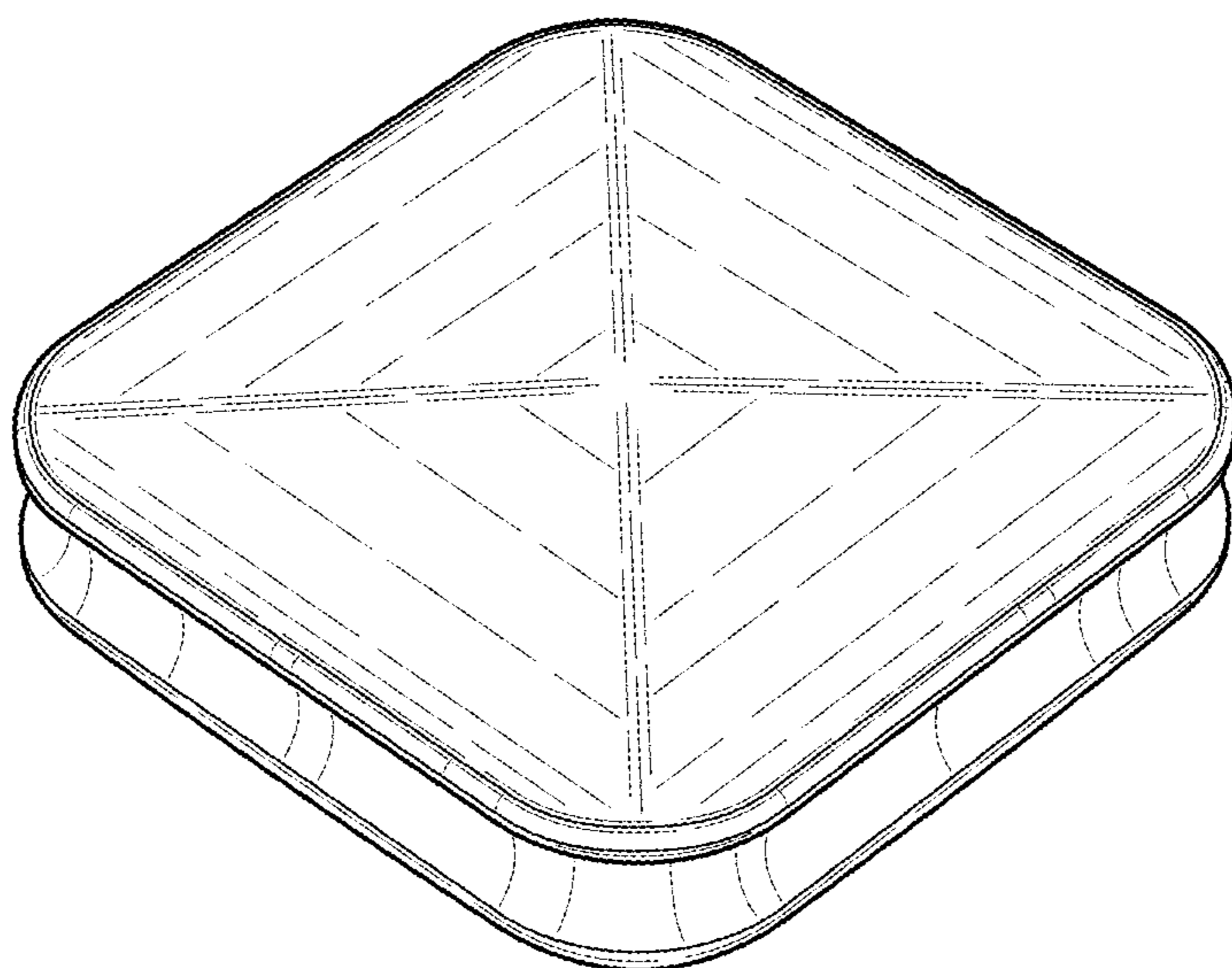


Fig. 2

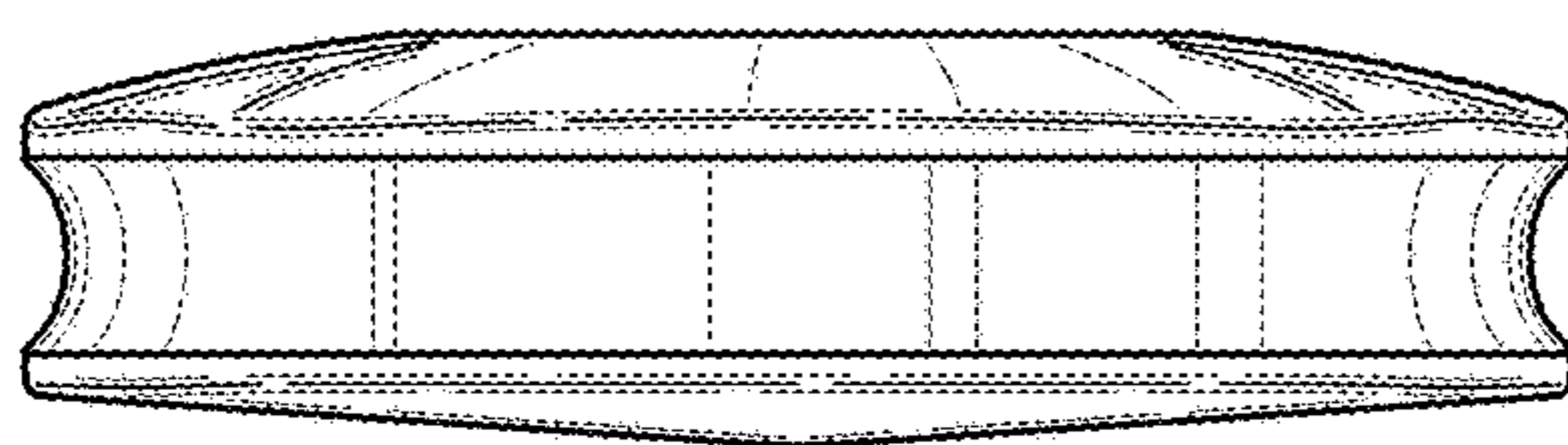


Fig. 3

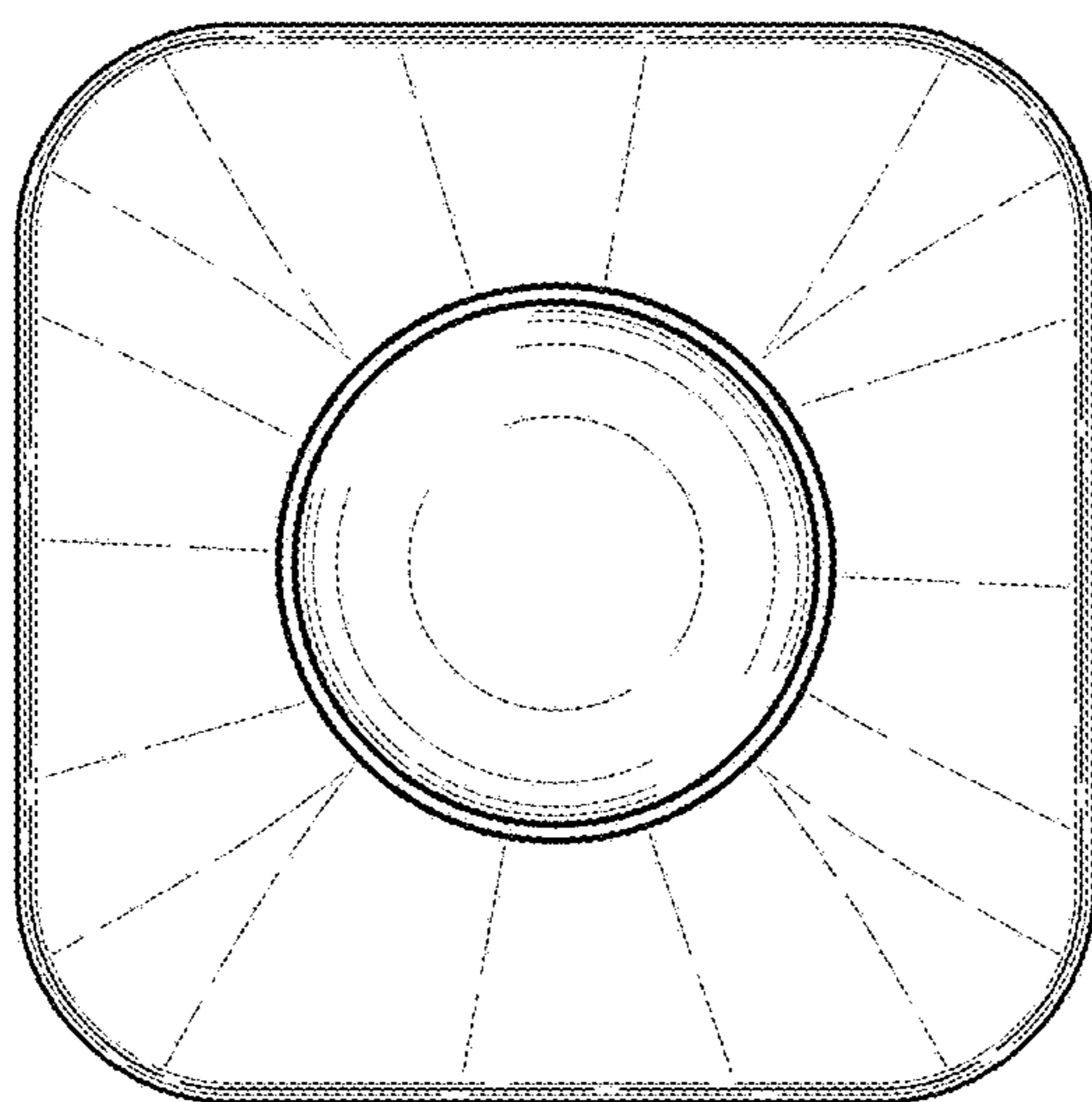


Fig. 4

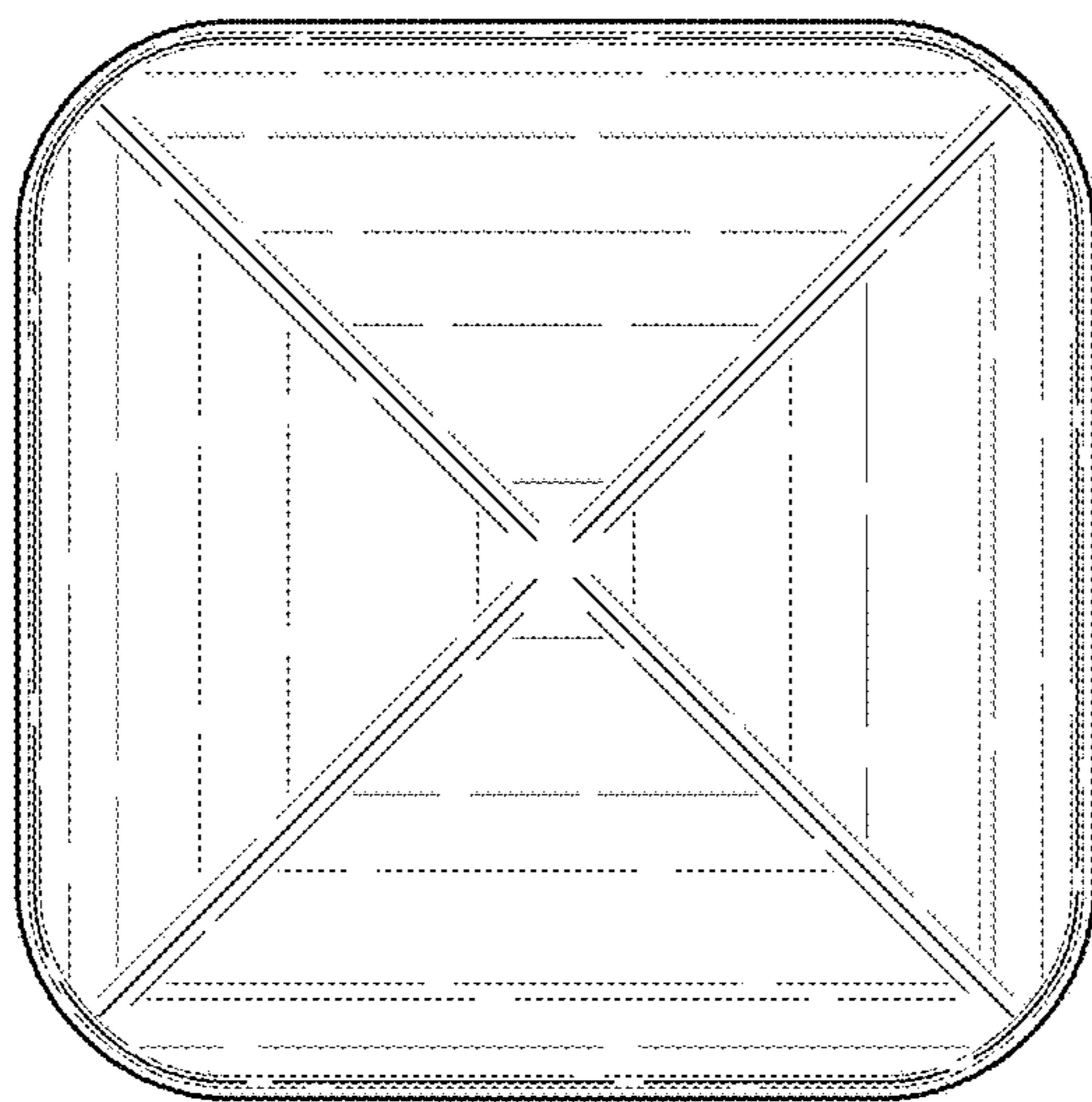


Fig. 5