



US00D792396S

(12) **United States Design Patent**
Han

(10) **Patent No.:** **US D792,396 S**
(45) **Date of Patent:** **** Jul. 18, 2017**

(54) **PORTABLE ELECTRONIC DEVICE**

(71) Applicant: **Center for Integrated Smart Sensors,**
Daejeon (KR)

(72) Inventor: **Dae Ick Han,** Daejeon (KR)

(73) Assignee: **CENTER FOR INTEGRATED
SMART SENSORS,** Daejeon (KR)

(**) Term: **15 Years**

(21) Appl. No.: **29/545,266**

(22) Filed: **Nov. 11, 2015**

(30) **Foreign Application Priority Data**

Oct. 28, 2015 (KR) 30-2015-0054227

(51) **LOC (10) Cl.** **14-02**

(52) **U.S. Cl.**
USPC **D14/344**

(58) **Field of Classification Search**

USPC D14/137, 155, 191, 203.1, 203.7, 218,
D14/144, 344, 346, 488, 450, 496, 129,
D14/130, 389; D10/30-39, 70, 65, 104.1,
D10/106.9, 125, 122-126; D11/3-5, 19,
D11/87, 93, 94, 200, 201, 216, 218, 230,
D11/231; D21/329; D24/167

CPC A61J 7/0481; A61J 2007/0436;
H01Q 1/243; H04B 1/385;
H04B 2001/3866; H04B 2001/3872;
H04B 1/3833; H04M 1/72522; H04M
1/72527; H04M 1/7253; H04M 1/21;
G04B 47/00; G04B 45/0007;
G04B 19/065; G04B 19/04; G04B 19/06;
G04B 19/082; G04C 21/14; G04C 3/001;

(Continued)

(56) **References Cited**

U.S. PATENT DOCUMENTS

D238,758 S * 2/1976 Schulthess D10/15
4,264,970 A * 4/1981 Nishimura G02F 1/1333
349/158

(Continued)

OTHER PUBLICATIONS

Ovo Watch, available Feb. 10, 2013 [online], [site visited Feb. 6,
2017] Available from Internet, URL: <http://olcybershop.blogspot.
com/2013/02/ovo-watch_10.html>.*

(Continued)

Primary Examiner — Barbara Fox

Assistant Examiner — Mary C Ramirez

(74) *Attorney, Agent, or Firm* — Novick, Kim & Lee,
PLLC; Sang Ho Lee

(57) **CLAIM**

I claim the ornamental design for a portable electronic
device, substantially as shown and described.

DESCRIPTION

FIG. 1 is a front, top perspective view of a portable elec-
tronic device in accordance with the present design, shown
with a strap;

FIG. 2 is a front elevation view of the portable electronic
device of FIG. 1;

FIG. 3 is a rear elevation view of the portable electronic
device of FIG. 1;

FIG. 4 is a right side elevation view of the portable elec-
tronic device of FIG. 1;

FIG. 5 is a left side elevation view of the portable electronic
device of FIG. 1;

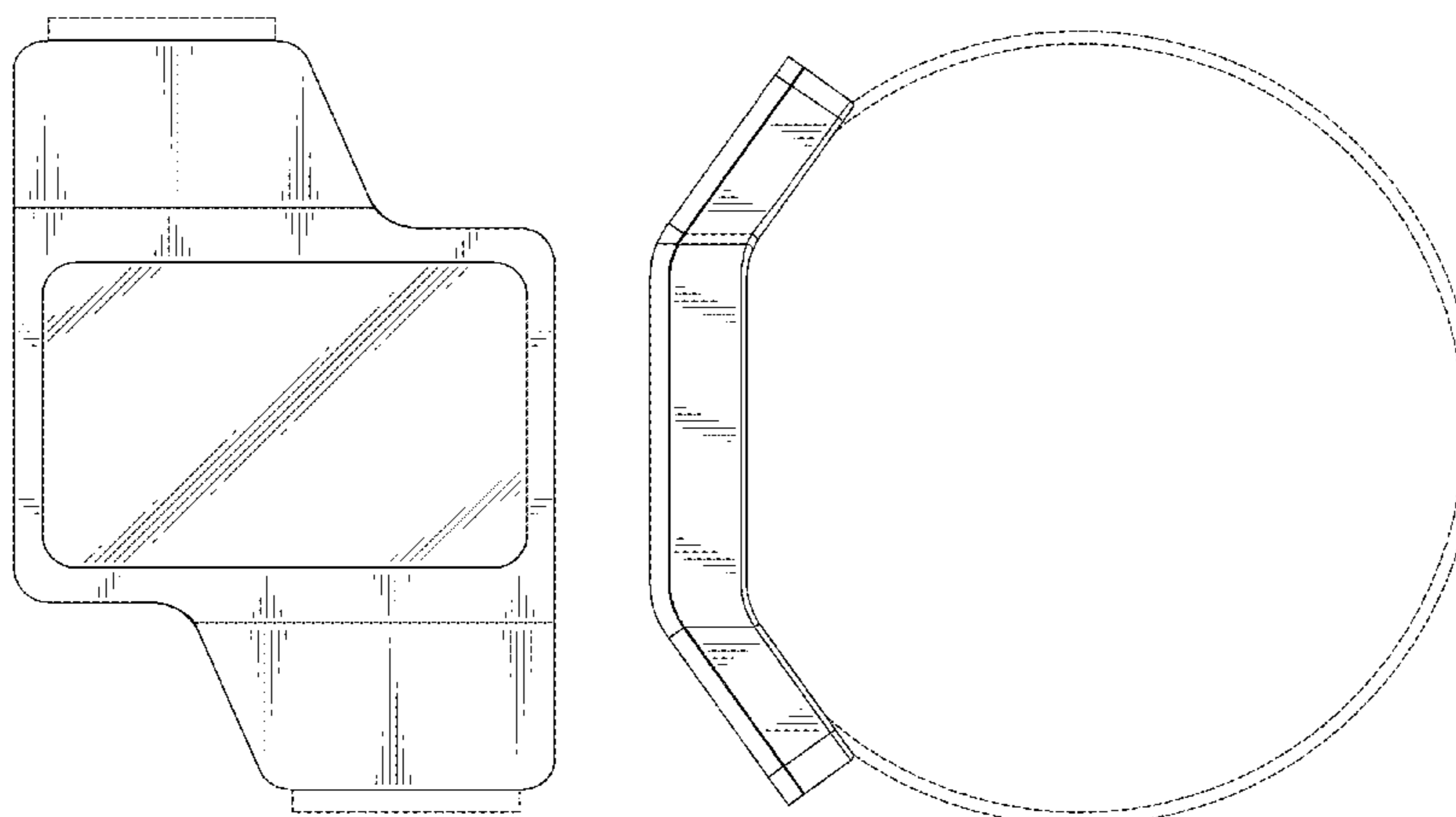
FIG. 6 is a top plan view of the portable electronic device of
FIG. 1;

FIG. 7 is a bottom plan view of the portable electronic
device of FIG. 1; and,

FIG. 8 is a rear elevation view of the portable electronic
device, shown without the strap.

The broken lines shown in the drawings, illustrate a strap
that forms no part of the claimed design.

1 Claim, 8 Drawing Sheets



(58) **Field of Classification Search**
 CPC G04C 3/005; G04G 13/00; G04G 13/02;
 G04G 21/08; G04G 9/0082; G06F
 1/1626; G06F 1/1632
 See application file for complete search history.

(56) **References Cited**

U.S. PATENT DOCUMENTS

D296,675 S * 7/1988 Jones D10/30
 D448,680 S * 10/2001 Kubo D10/30
 D498,425 S * 11/2004 Marcucelli D10/31
 D504,340 S * 4/2005 Concari D10/70
 D528,018 S * 9/2006 Burton D10/38
 D528,438 S * 9/2006 Burton D10/32
 D544,375 S * 6/2007 Burton D10/32
 D546,206 S * 7/2007 Burton D10/38
 D681,612 S * 5/2013 Palacios D14/172
 D725,068 S * 3/2015 Cho D14/138 R
 D725,652 S * 3/2015 Ishii D10/106.1
 D730,348 S * 5/2015 Grifoni D14/344
 D735,711 S * 8/2015 Kuwabara D14/344
 D741,855 S * 10/2015 Park D14/344
 D750,622 S * 3/2016 Chen D10/38

9,274,555 B2 * 3/2016 Otsuka A61B 5/02422
 D756,241 S * 5/2016 Gabor D10/32
 D772,867 S * 11/2016 Park D10/39
 2007/0246494 A1 * 10/2007 Kim H04B 1/385
 224/219
 2013/0261405 A1 * 10/2013 Lee A61B 5/681
 600/301
 2015/0268852 A1 * 9/2015 Otsuka G06F 3/0488
 345/173

OTHER PUBLICATIONS

Bench Watch, no date available [online], [site visited Feb. 6, 2017], Available from Internet, URL: <http://www.uk.all.biz/bench-mens-lcd-digital-leather-strap-watch-g58652#.WJUi9_n4_is>.*
 Mens Bench Watch, no date available [online], [site visited Feb. 6, 2017], Available from Internet, URL: <https://www.watches2u.com/watches/bench/bc0320bkbr-mens-grey-steel-brown-watch.html?currency_id=3>.*
 Yanko, available Jan. 13, 2011 [online], [site visited Feb. 6, 2017] Available from Internet, URL: <<http://yankodesign.com/2011/01/13/e-ink-for-time-telling/>>.*

* cited by examiner

FIG. 1

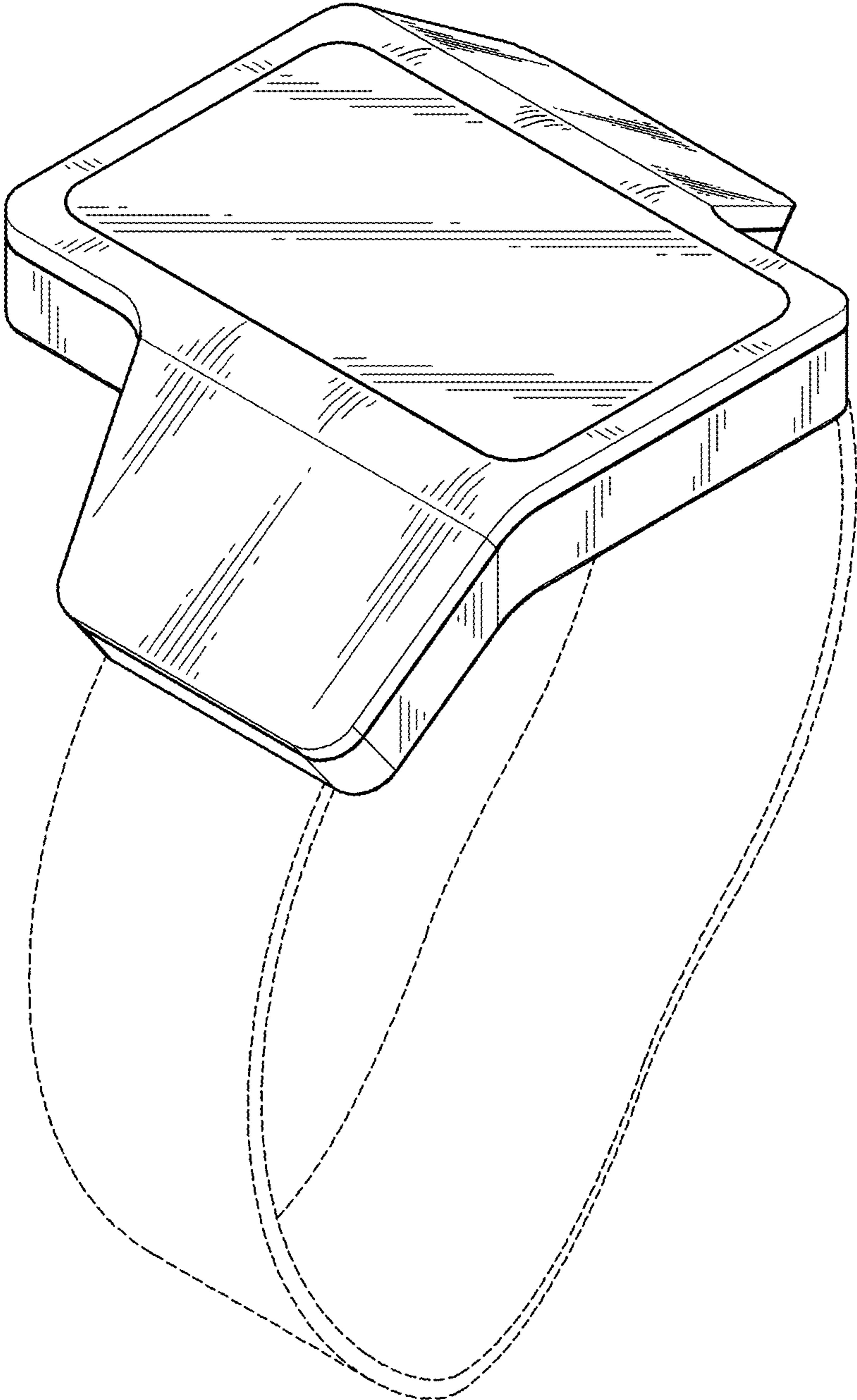


FIG. 2

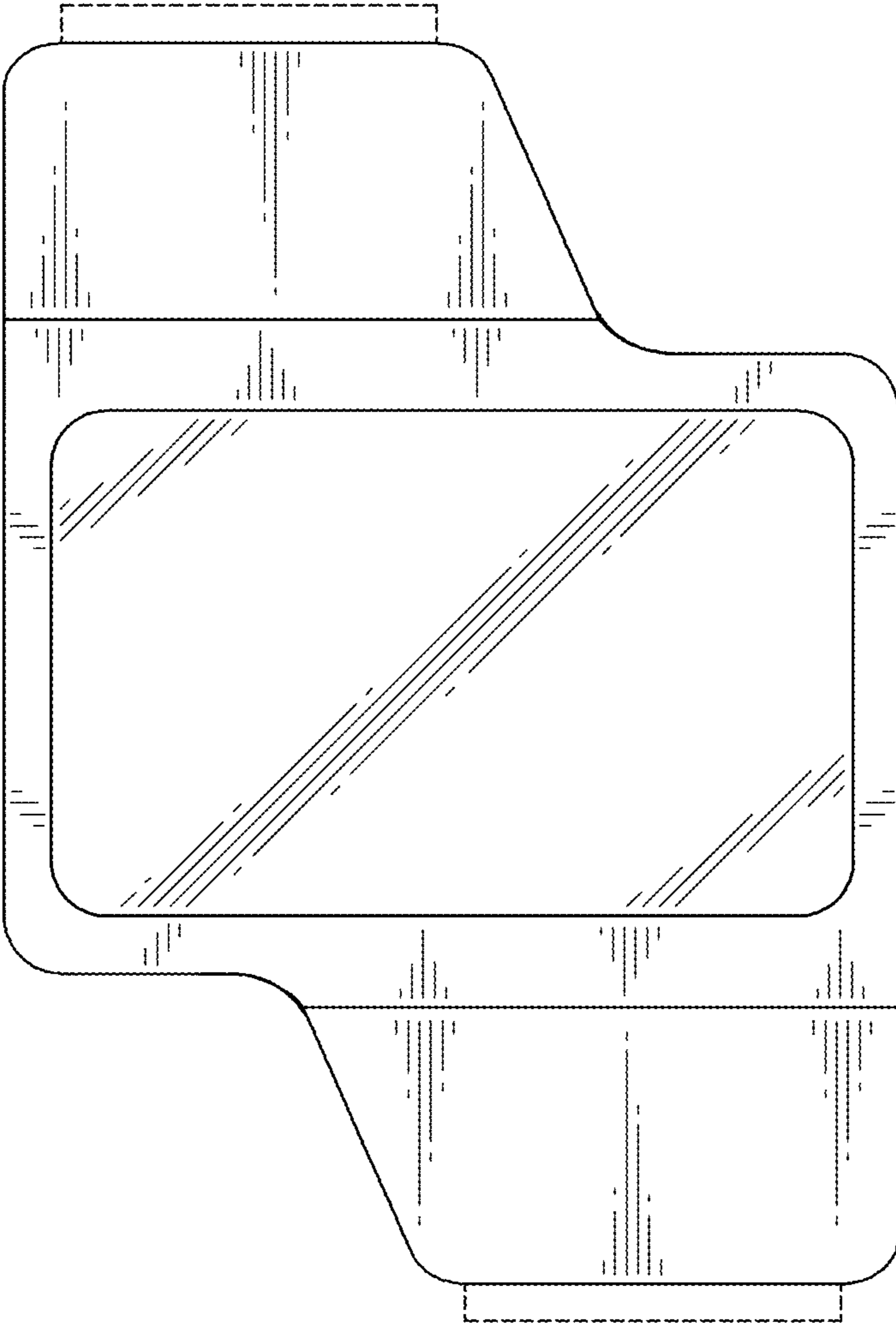


FIG. 3

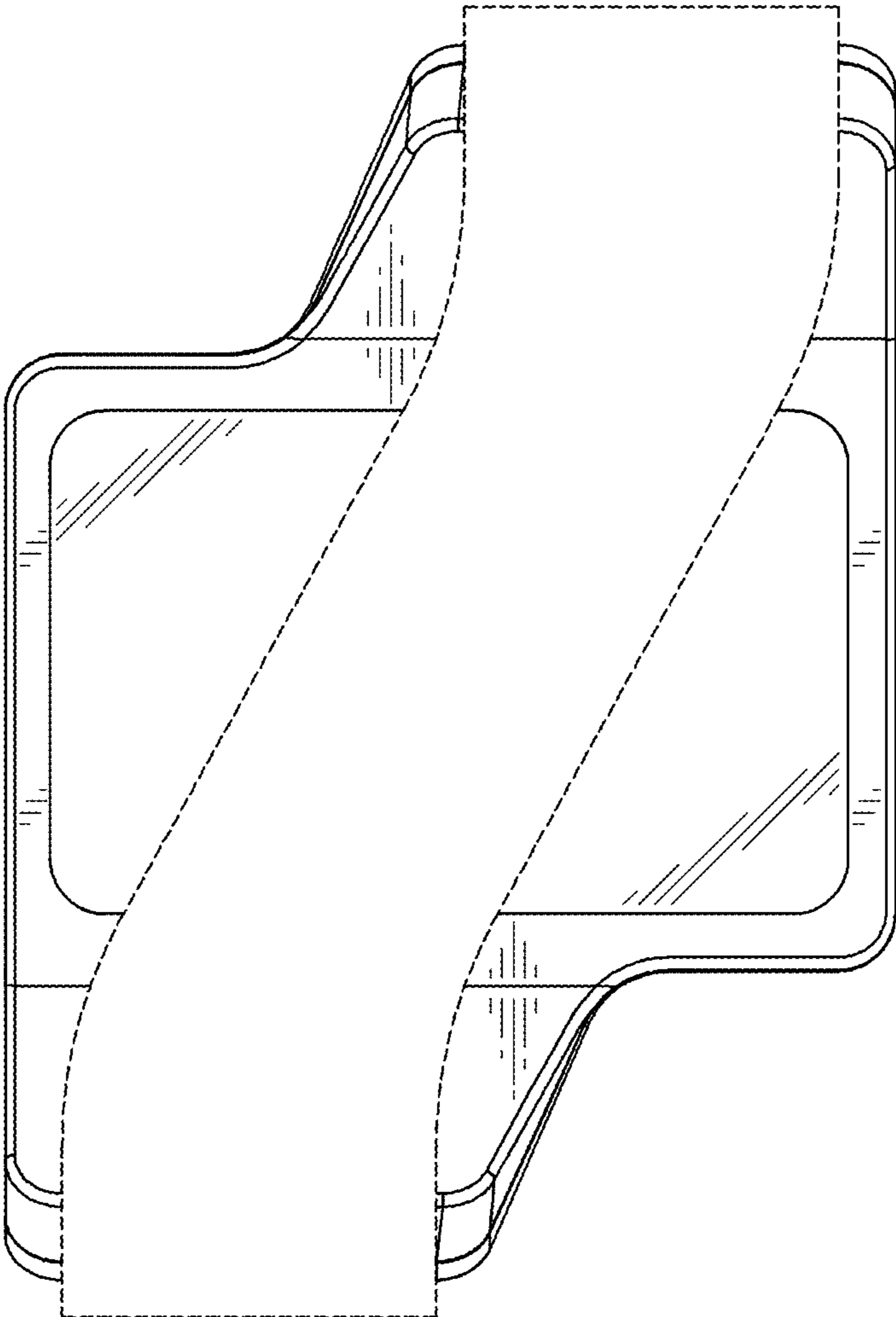


FIG. 4

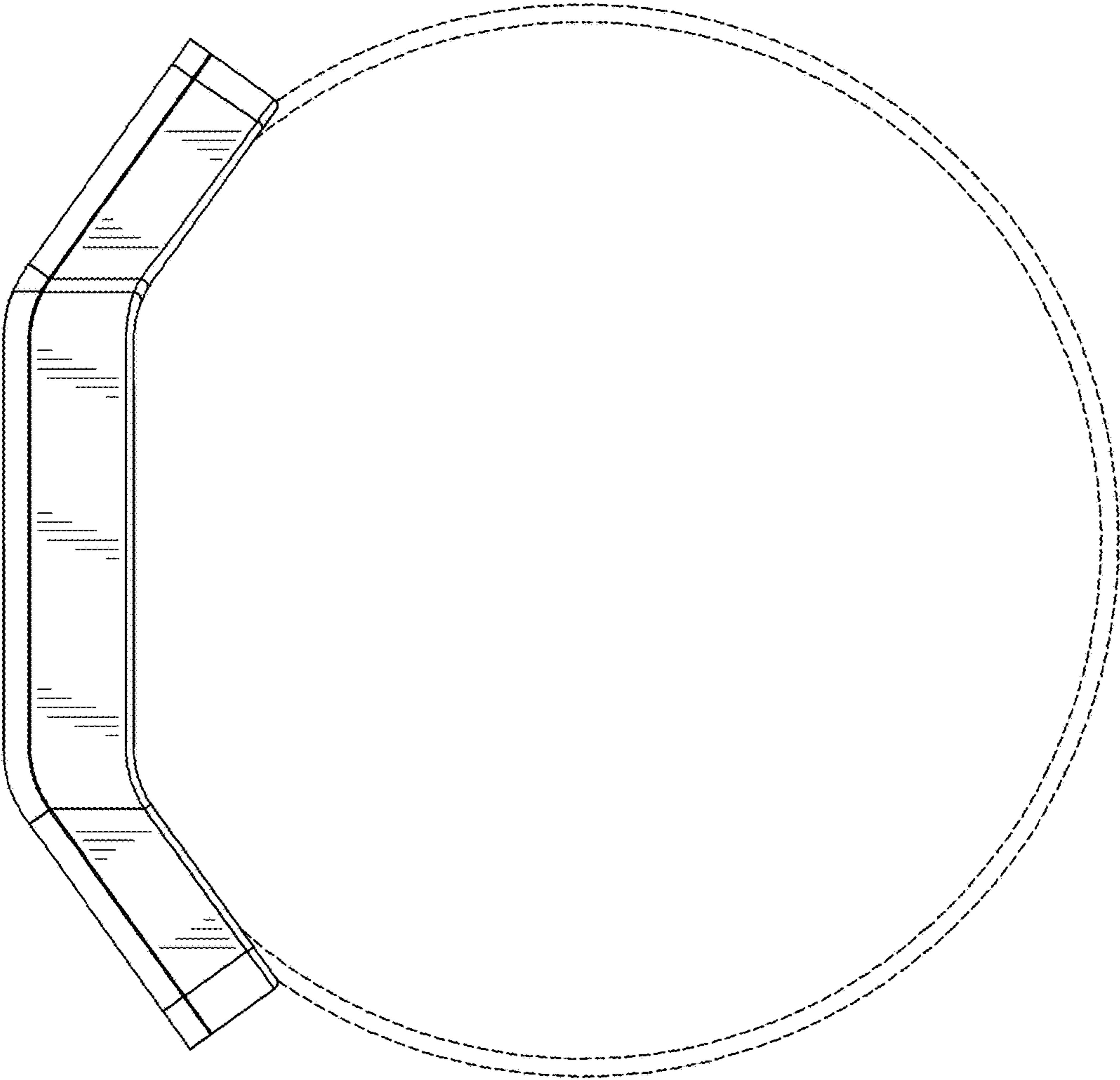


FIG. 5

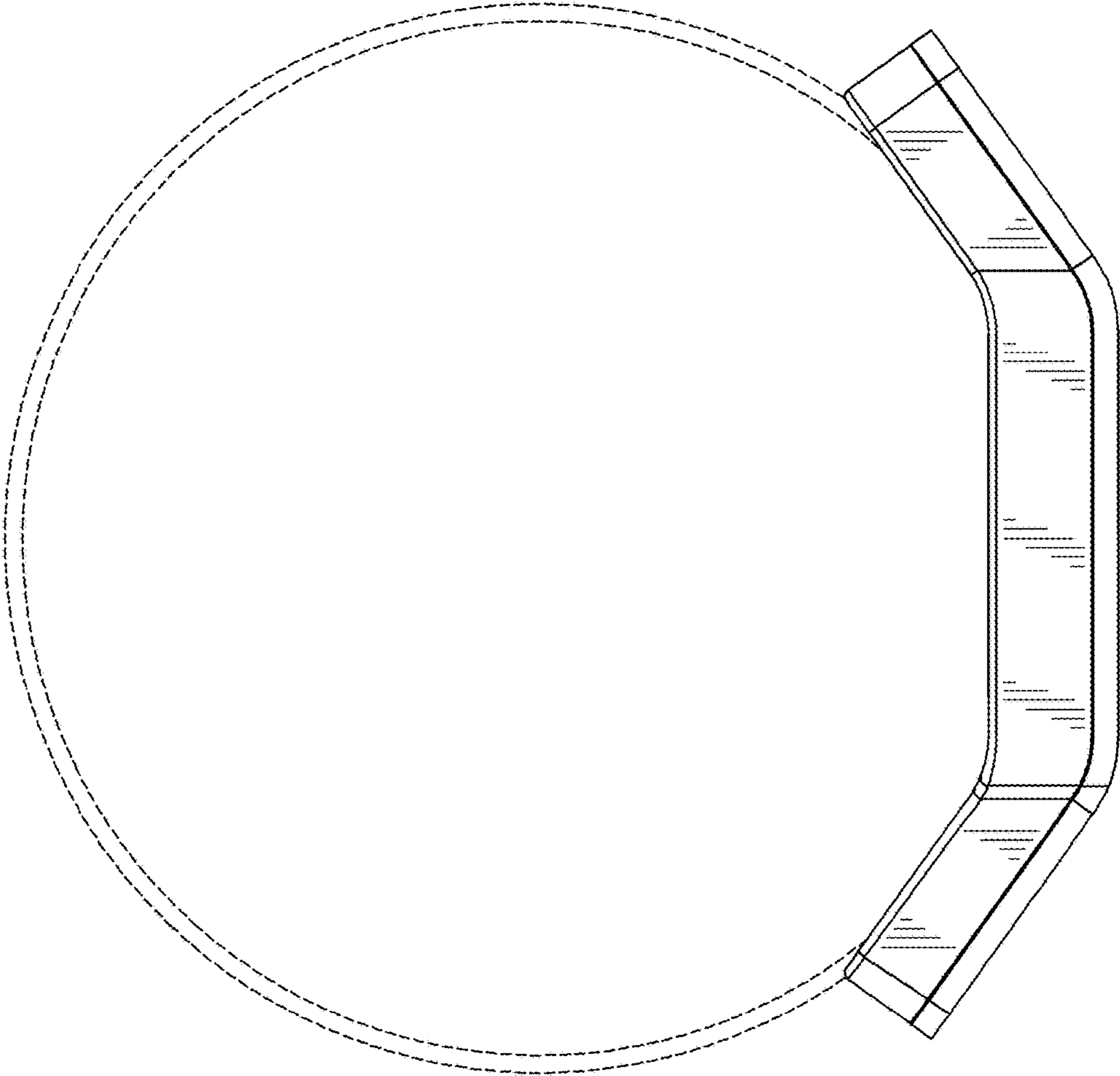


FIG. 6

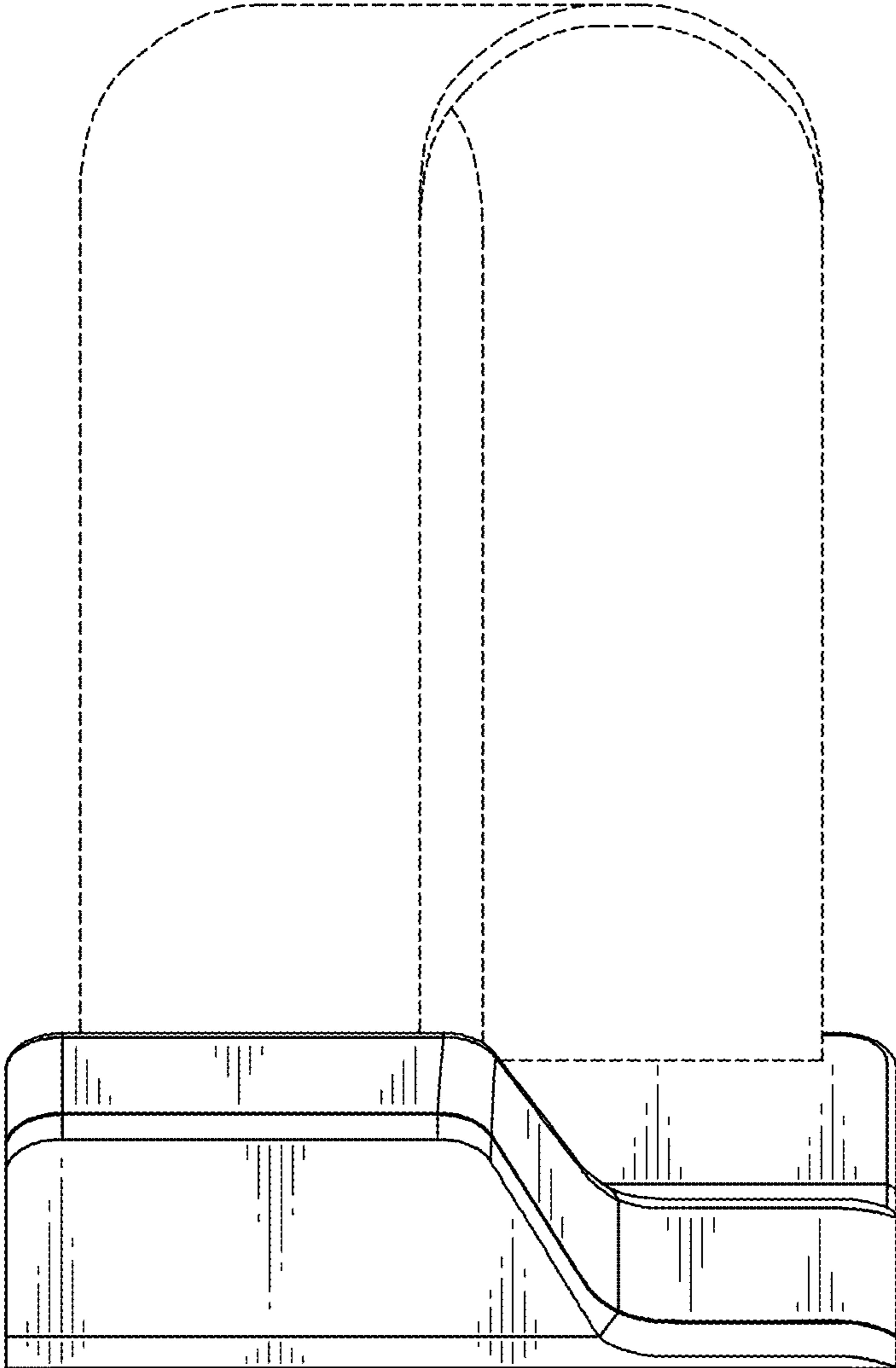


FIG. 7

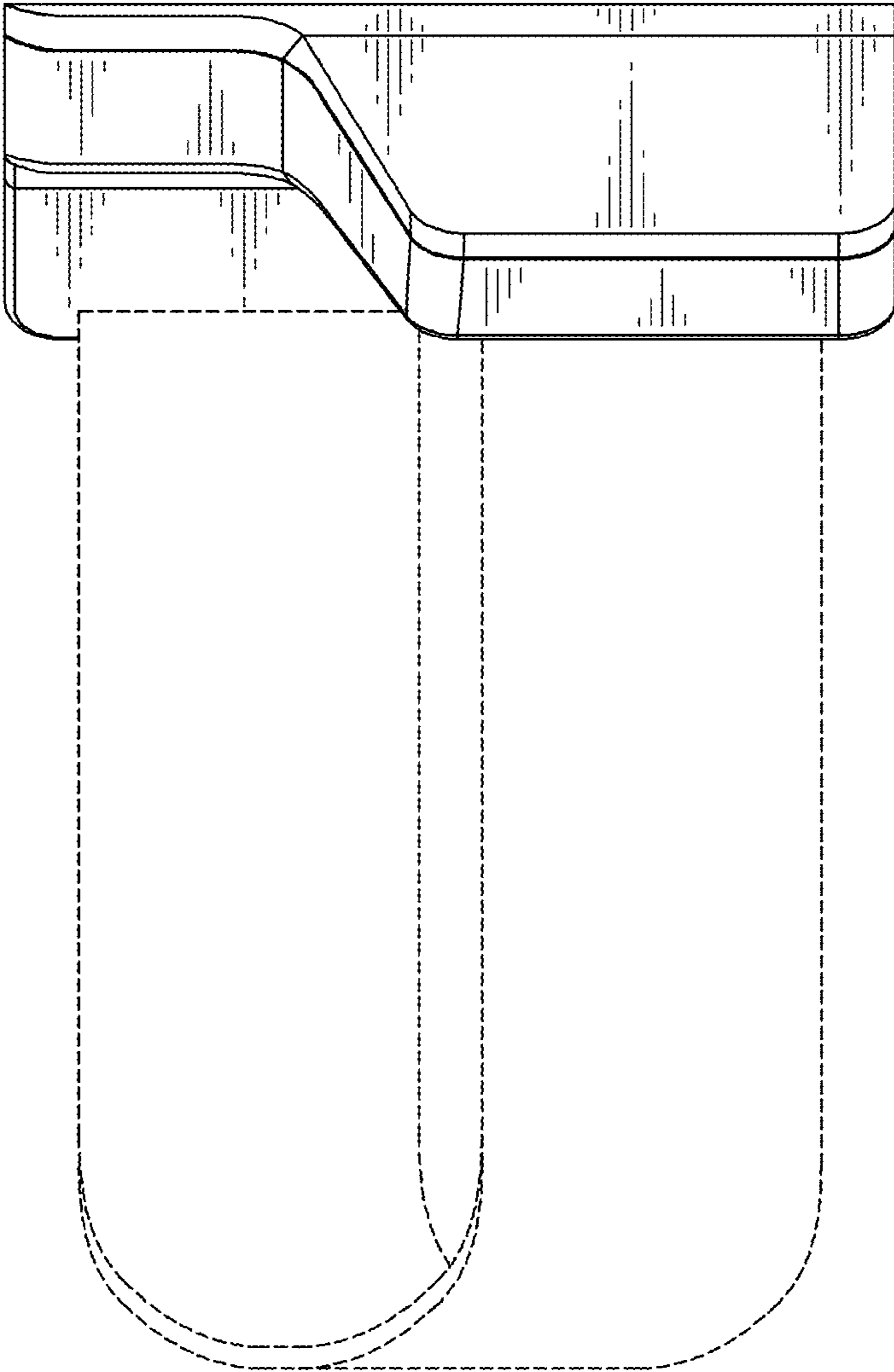


FIG. 8

