



US00D792395S

(12) **United States Design Patent**  
**Han**

(10) **Patent No.:** **US D792,395 S**  
(45) **Date of Patent:** **\*\* Jul. 18, 2017**

(54) **PORTABLE ELECTRONIC DEVICE**  
(71) Applicant: **Center for Integrated Smart Sensors,**  
(72) Inventor: **Daejeon (KR) Dae Ick Han, Daejeon (KR)**  
(73) Assignee: **CENTER FOR INTEGRATED SMART SENSORS, Daejeon (KR)**  
(\*\*) Term: **14 Years**  
(21) Appl. No.: **29/524,508**  
(22) Filed: **Apr. 21, 2015**  
(30) **Foreign Application Priority Data**

Apr. 10, 2015 (KR) ..... 30-2015-0018478

(51) **LOC (10) Cl.** ..... **14-02**

(52) **U.S. Cl.**  
USPC ..... **D14/344**

(58) **Field of Classification Search**  
USPC ..... D14/137, 155, 191, 203.1, 203.7, 218,  
D14/144, 344, 346, 488, 450, 496, 129,  
D14/130, 389; D10/30-39, 70, 65, 104.1,  
D10/106.9, 125, 122-126; D11/3-5, 19,  
D11/87, 93, 94, 200, 201, 216, 218, 230,  
D11/231; D21/329; D24/167  
CPC ..... A61J 7/0481; A61J 2007/0436;  
H01Q 1/243; H04B 1/385;  
H04B 2001/3866; H04B 2001/3872;  
H04B 1/3833; H04M 1/72522;  
H04M 1/72527; H04M 1/7253;  
H04M 1/21; G04B 47/00; G04B 45/0007;  
G04B 19/065; G04B 19/04; G04B 19/06;  
G04B 19/082; G04C 21/14; G04C 3/001;  
G04C 3/005; G04G 13/00; G04G 13/02;  
G04G 21/08; G04G 9/0082;  
G06F 1/1626; G06F 1/1632  
See application file for complete search history.

(56) **References Cited**  
**U.S. PATENT DOCUMENTS**

4,264,970 A \* 4/1981 Nishimura ..... G02F 1/1333  
349/158

4,435,796 A \* 3/1984 Saito ..... G04G 17/06  
200/5 A  
D302,393 S \* 7/1989 Faulconer ..... 73/300  
D390,573 S \* 2/1998 Oross ..... D14/137  
D419,474 S \* 1/2000 Issa ..... D10/104.1  
D498,425 S \* 11/2004 Marcucelli ..... D10/31

(Continued)

*Primary Examiner* — Barbara Fox  
*Assistant Examiner* — Mary C Ramirez  
(74) *Attorney, Agent, or Firm* — Novick, Kim & Lee,  
PLLC; Sang Ho Lee

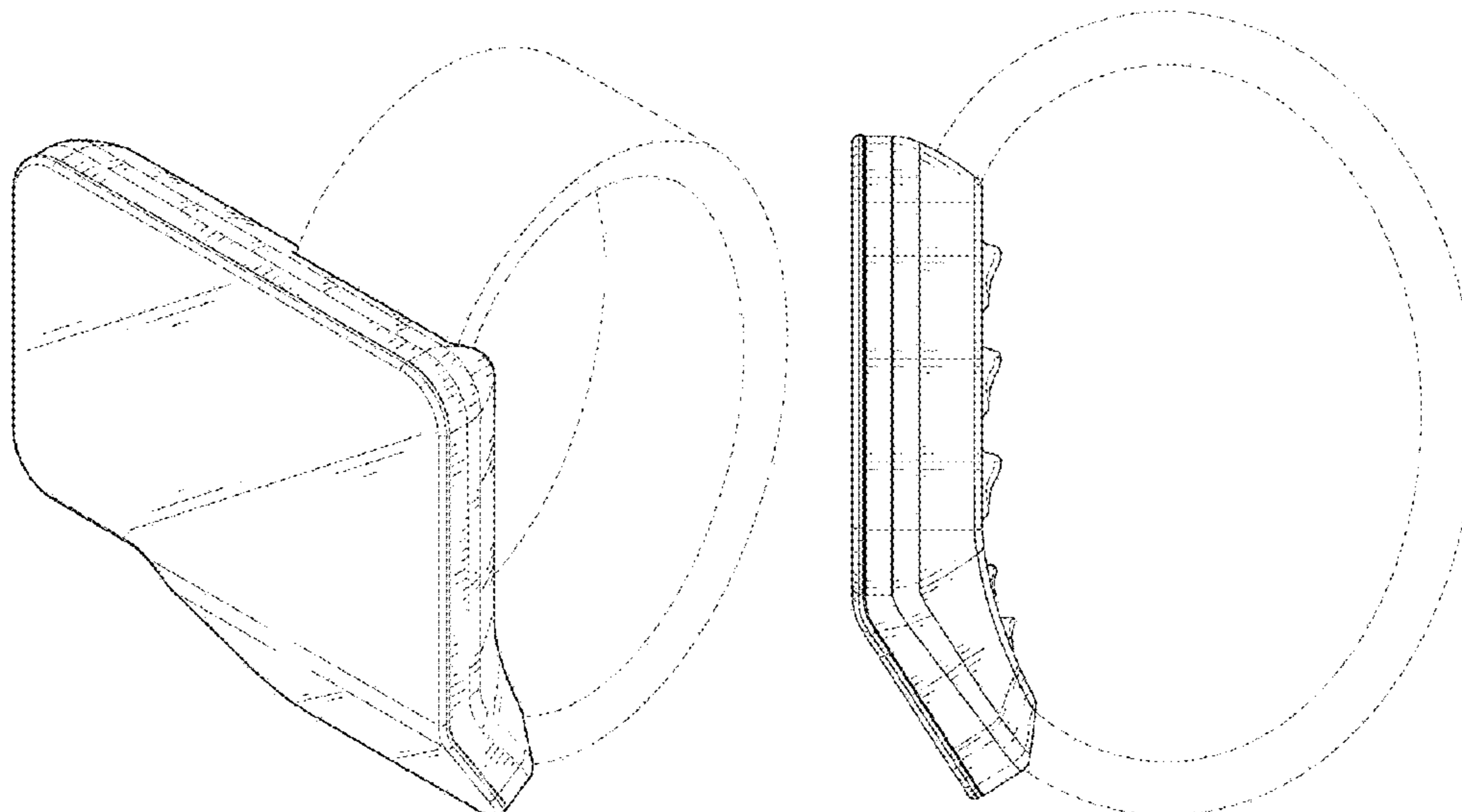
(57) **CLAIM**

I claim the ornamental design for a portable electronic device, substantially as shown and described.

**DESCRIPTION**

FIG. 1 is a front perspective view of a portable electronic device in accordance with the present design;  
FIG. 2 is a front elevation view of the portable electronic device of FIG. 1;  
FIG. 3 is a rear elevation view of the portable electronic device of FIG. 1;  
FIG. 4 is a left side elevation view of the portable electronic device of FIG. 1;  
FIG. 5 is a right side elevation view of the portable electronic device of FIG. 1;  
FIG. 6 is a top plan view of the portable electronic device of FIG. 1;  
FIG. 7 is a bottom plan view of the portable electronic device of FIG. 1; and,  
FIG. 8 is a rear perspective view of the portable electronic device of FIG. 1.  
The broken lines shown in the drawings illustrate a strap that forms no part of the claimed design.

**1 Claim, 8 Drawing Sheets**



(56)

**References Cited**

U.S. PATENT DOCUMENTS

D504,340	S *	4/2005	Concari .....	D10/70
D528,438	S *	9/2006	Burton .....	D10/32
D546,206	S *	7/2007	Burton .....	D10/38
D597,875	S *	8/2009	Au Yeung .....	D10/70
D610,025	S *	2/2010	Jarvis .....	D10/38
D710,898	S *	8/2014	Aglassinger .....	D14/496
D711,346	S *	8/2014	Ismail .....	D14/137
D725,068	S *	3/2015	Cho .....	D14/138 R
D730,348	S *	5/2015	Grifoni .....	D14/344
D735,711	S *	8/2015	Kuwabara .....	D14/344
D741,855	S *	10/2015	Park .....	D14/344
D750,622	S *	3/2016	Chen .....	D10/38
9,274,555	B2 *	3/2016	Otsuka .....	A61B 5/02422
D753,077	S *	4/2016	Margis .....	D14/126
D772,867	S *	11/2016	Park .....	D10/39
2007/0246494	A1 *	10/2007	Kim .....	H04B 1/385 224/219
2015/0268852	A1 *	9/2015	Otsuka .....	G06F 3/0488 345/173

\* cited by examiner

FIG. 1

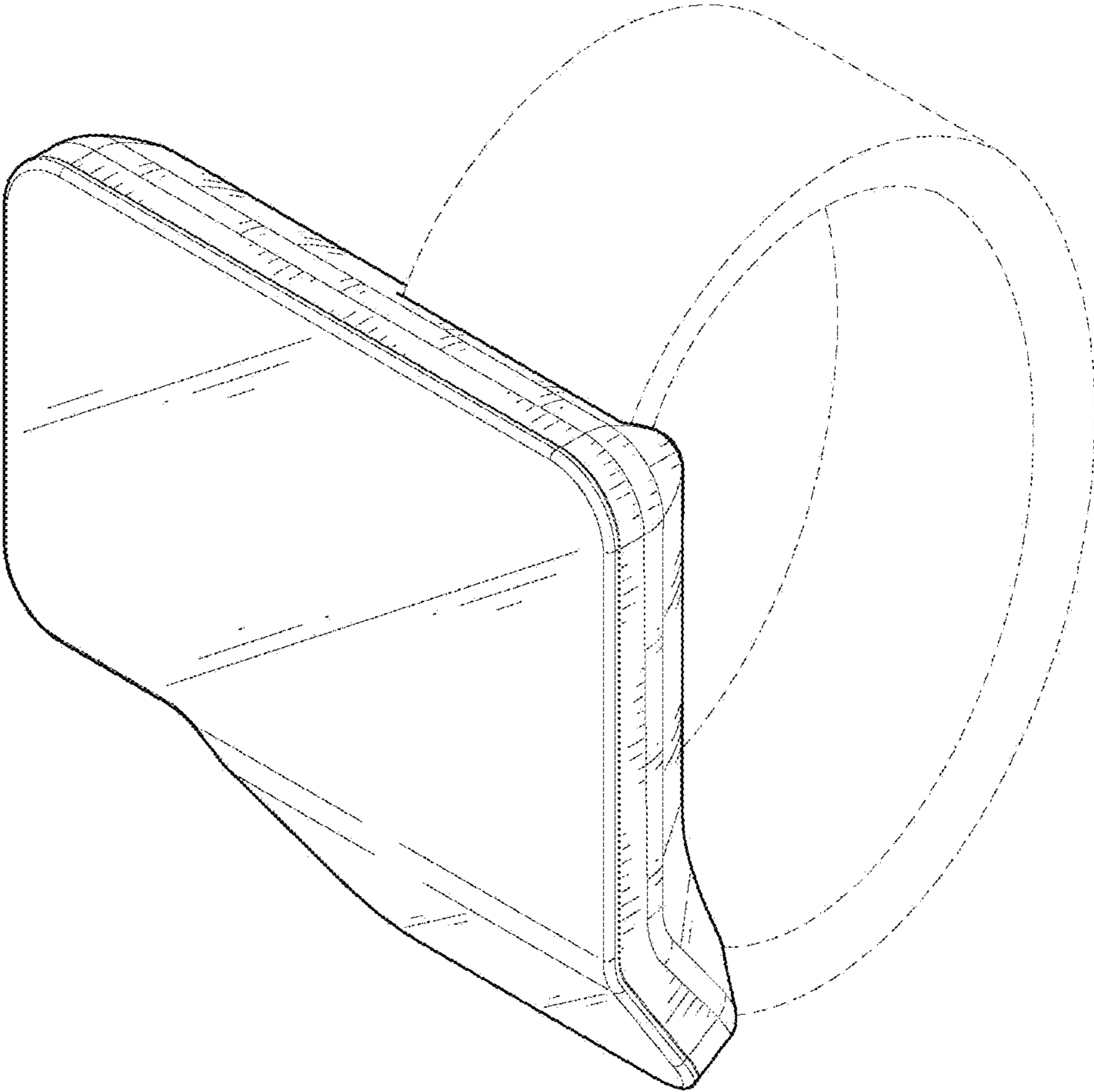


FIG. 2

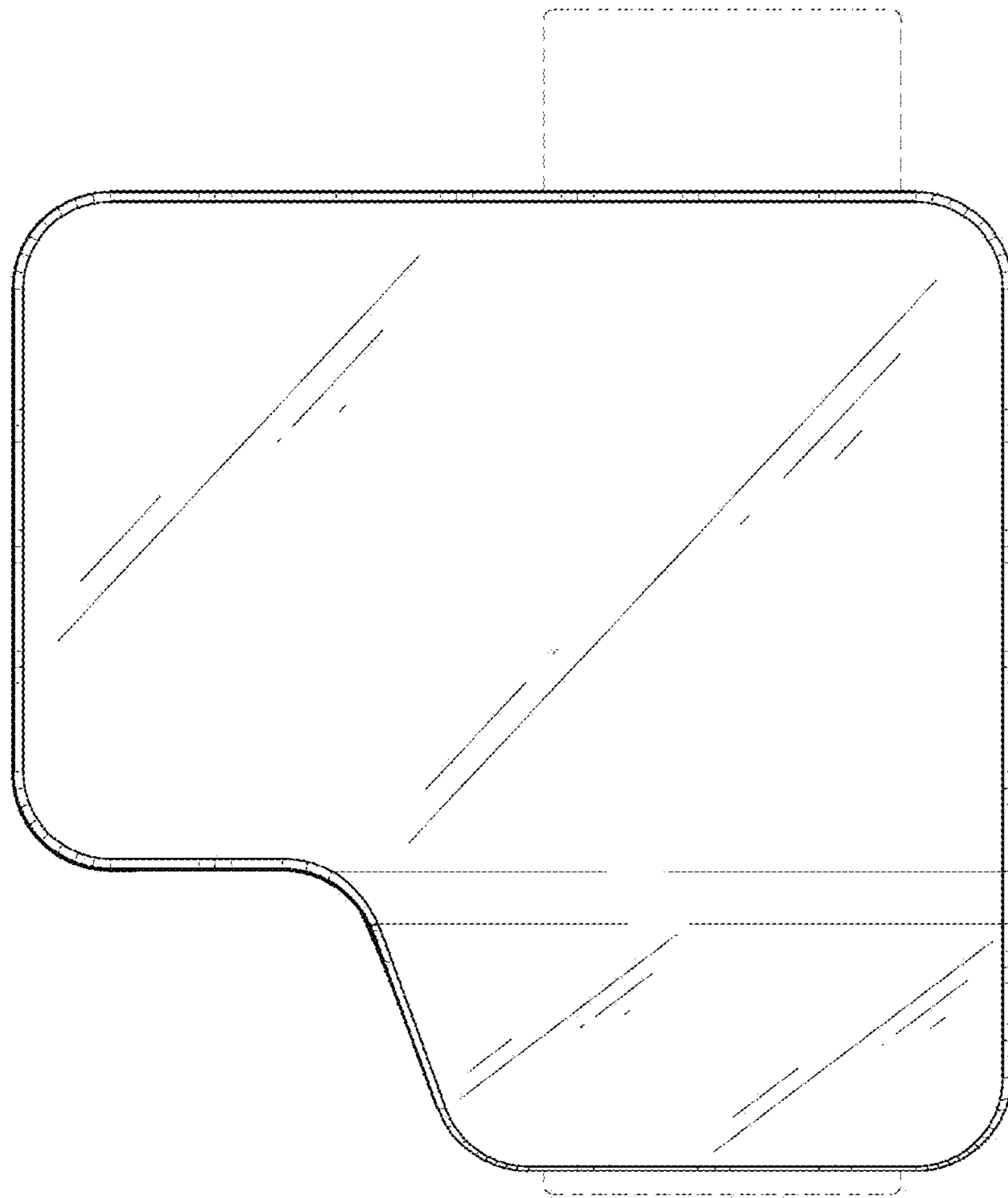


FIG. 3

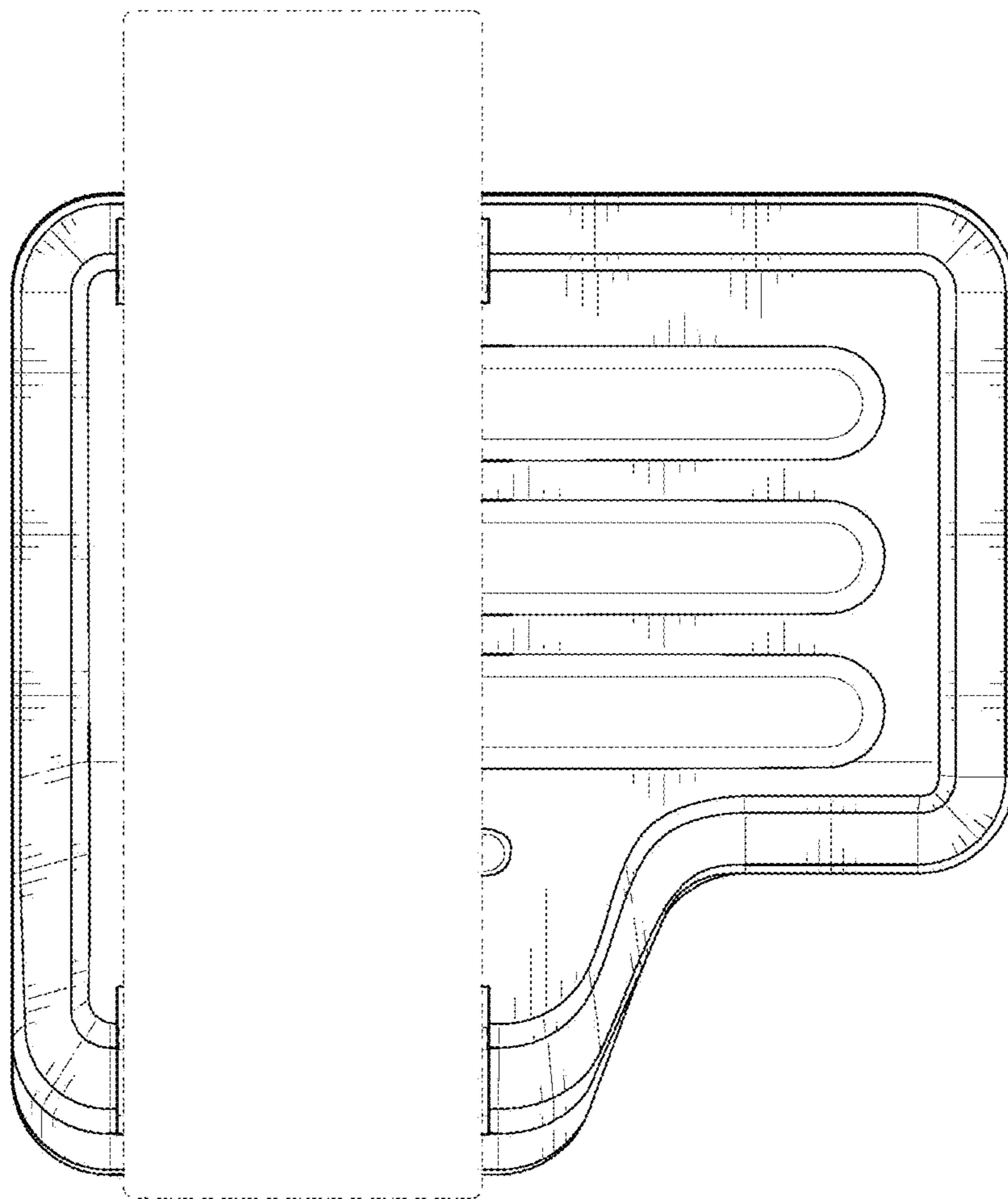


FIG. 4

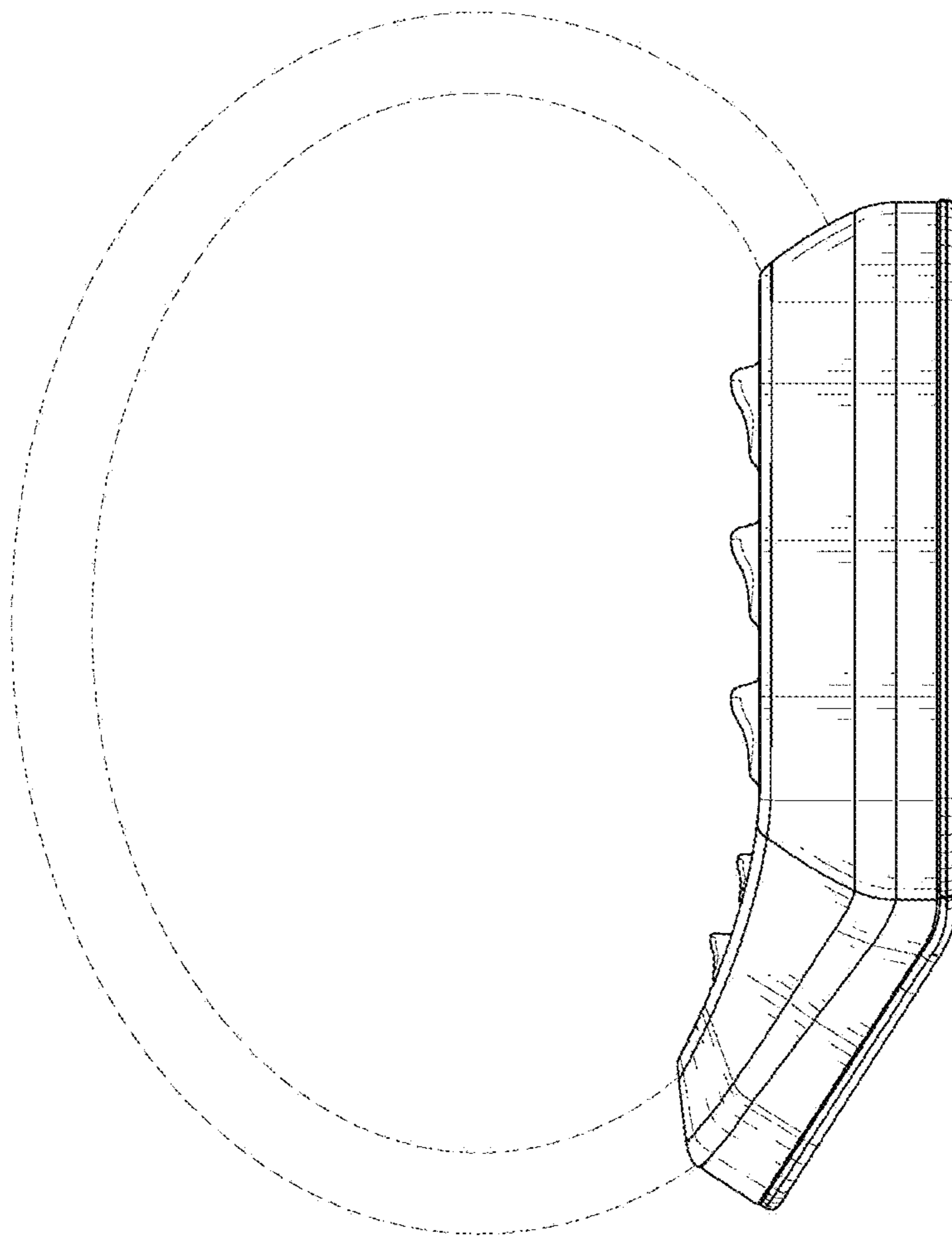




FIG. 5

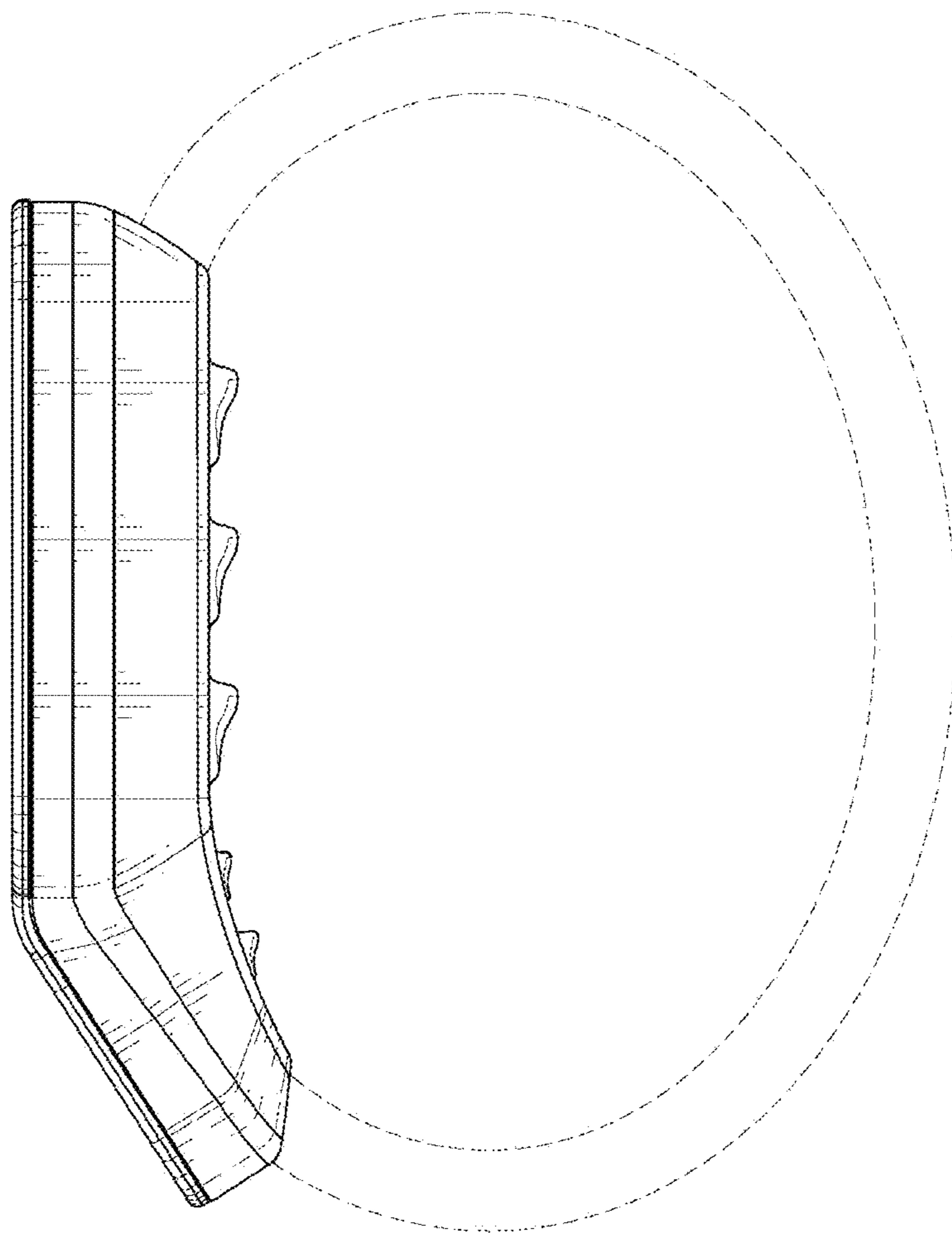


FIG. 6

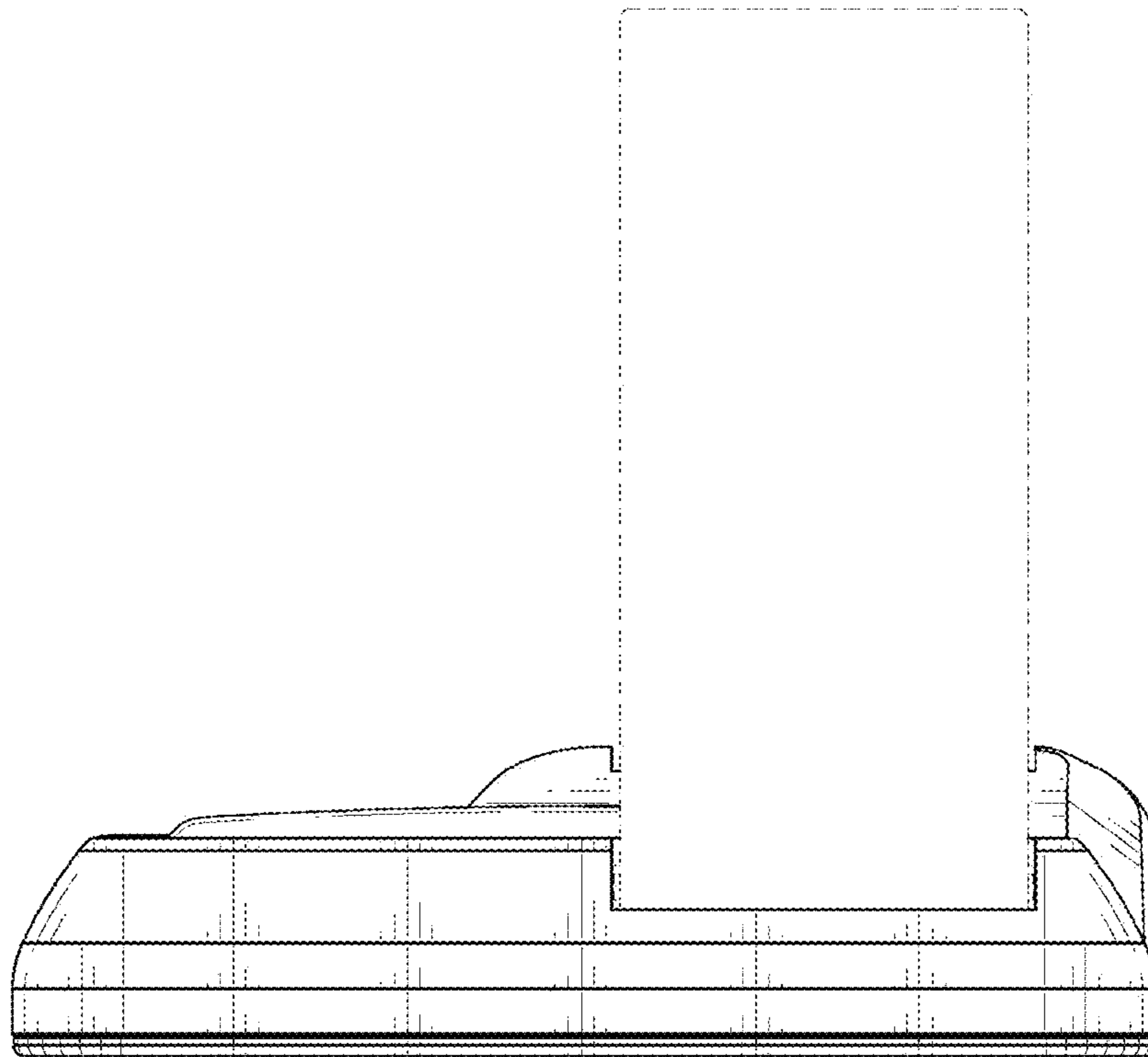




FIG. 7

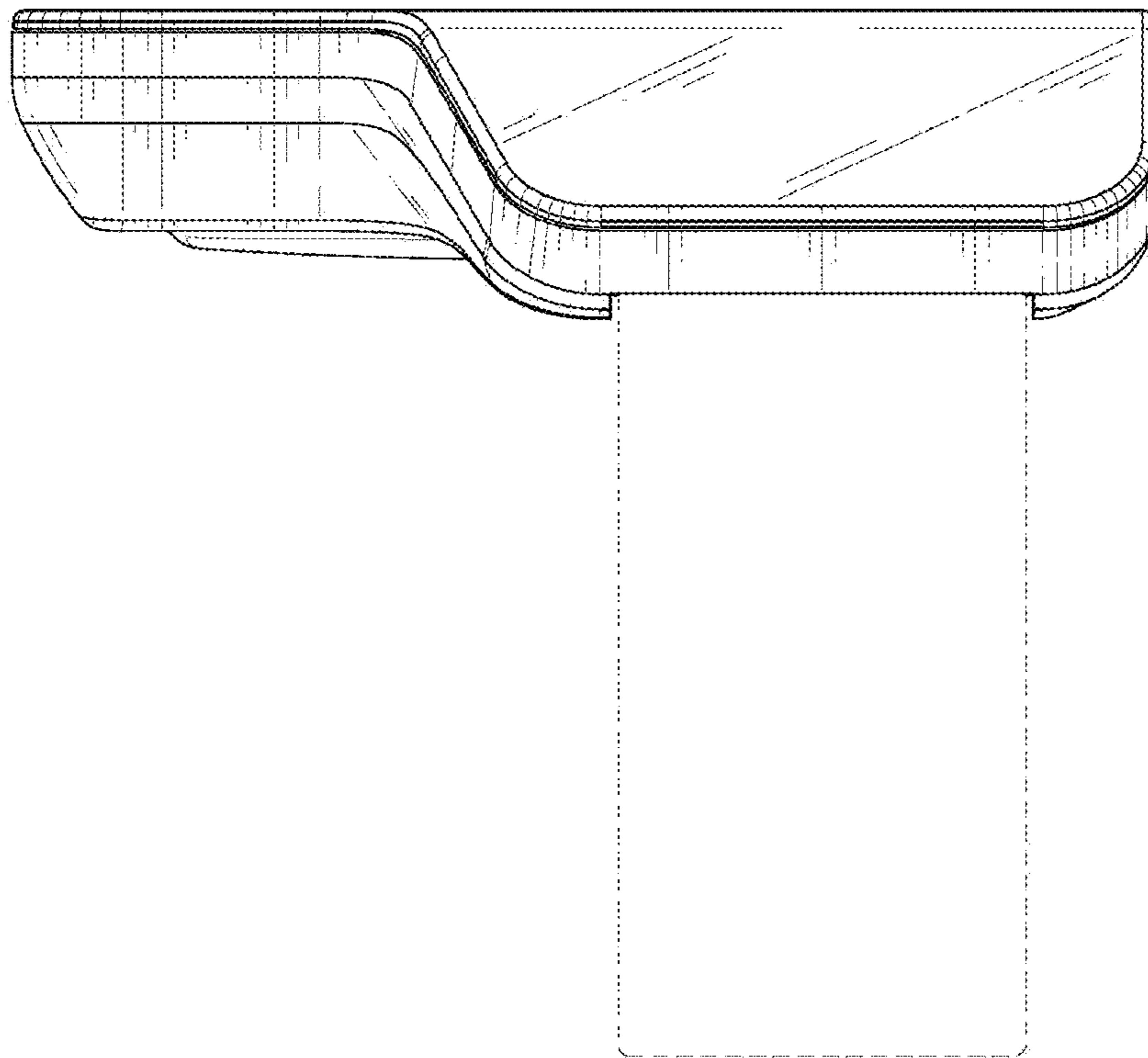


FIG. 8

