



US00D792390S

(12) **United States Design Patent**  
**Crawford**

(10) **Patent No.:** **US D792,390 S**  
(45) **Date of Patent:** **\*\* Jul. 18, 2017**

(54) **SERVER RACK**

(71) Applicant: **Vapor IO Inc.**, Austin, TX (US)

(72) Inventor: **Colton Malone Crawford**, Austin, TX (US)

(73) Assignee: **Vapor IO Inc.**, Austin, TX (US)

(\*\*) Term: **14 Years**

(21) Appl. No.: **29/519,788**

(22) Filed: **Mar. 8, 2015**

(51) **LOC (10) Cl.** ..... **14-02**

(52) **U.S. Cl.**  
USPC ..... **D14/313**

(58) **Field of Classification Search**  
USPC ..... D14/240, 300-302, 308, 309, 313, 314, D14/348-356, 364-368, 441-446, 496, D14/188; D13/123, 158, 162, 184, 199; 312/223.1-223.3, 351.11; 360/99.01-99.12; 369/34.01-36.01; 361/679.31-679.33, 679.37, 679.39, 361/679.46, 679.53, 679.4, 679.41, 727  
CPC . G06F 1/20; G06F 1/181; G06F 1/187; G06F 1/183; G06F 1/184; H05K 7/16; H05K 7/1424; H05K 7/1409; H05K 7/20; H05K 7/20545; H05K 7/20727; H05H 7/20; G11B 33/126; G11B 33/128; G11B 33/08; F28D 15/00; H01L 23/467; H01L 23/367; F28F 1/12

See application file for complete search history.

(56) **References Cited**

**U.S. PATENT DOCUMENTS**

D409,585 S \* 5/1999 Fenner ..... D14/309  
6,714,415 B1 \* 3/2004 Shah ..... H01L 23/467  
165/185

D509,825 S \* 9/2005 Chen ..... D14/300  
D661,668 S \* 6/2012 Rose ..... D13/184  
8,297,067 B2 10/2012 Keisling et al.  
D717,341 S \* 11/2014 Akana ..... D14/496  
2006/0213642 A1 \* 9/2006 Lai ..... F28F 1/12  
165/80.3  
2009/0073656 A1 \* 3/2009 Otsuki ..... H01L 23/367  
361/697  
2010/0132918 A1 \* 6/2010 Lin ..... H01L 23/467  
165/80.3

**OTHER PUBLICATIONS**

'Wild New Design: Data Center in A Silo', <http://www.datacenterknowledge.com/archives/2009/12/10/wildnewdesigndatacenterinasilo/>, Dec. 10, 2009, pp. 1-7.  
'Cray Inc.', <http://en.wikipedia.org/wiki/Cray>, Apr. 25, 2015, pp. 1-8.  
'The Cray-2 Series of Computer Systems', Cray Research Inc. Brochure, Mar. 3, 2007, pp. 1-24.

\* cited by examiner

*Primary Examiner* — Freda S Nunn  
(74) *Attorney, Agent, or Firm* — Pillsbury Winthrop Shaw Pittman LLP

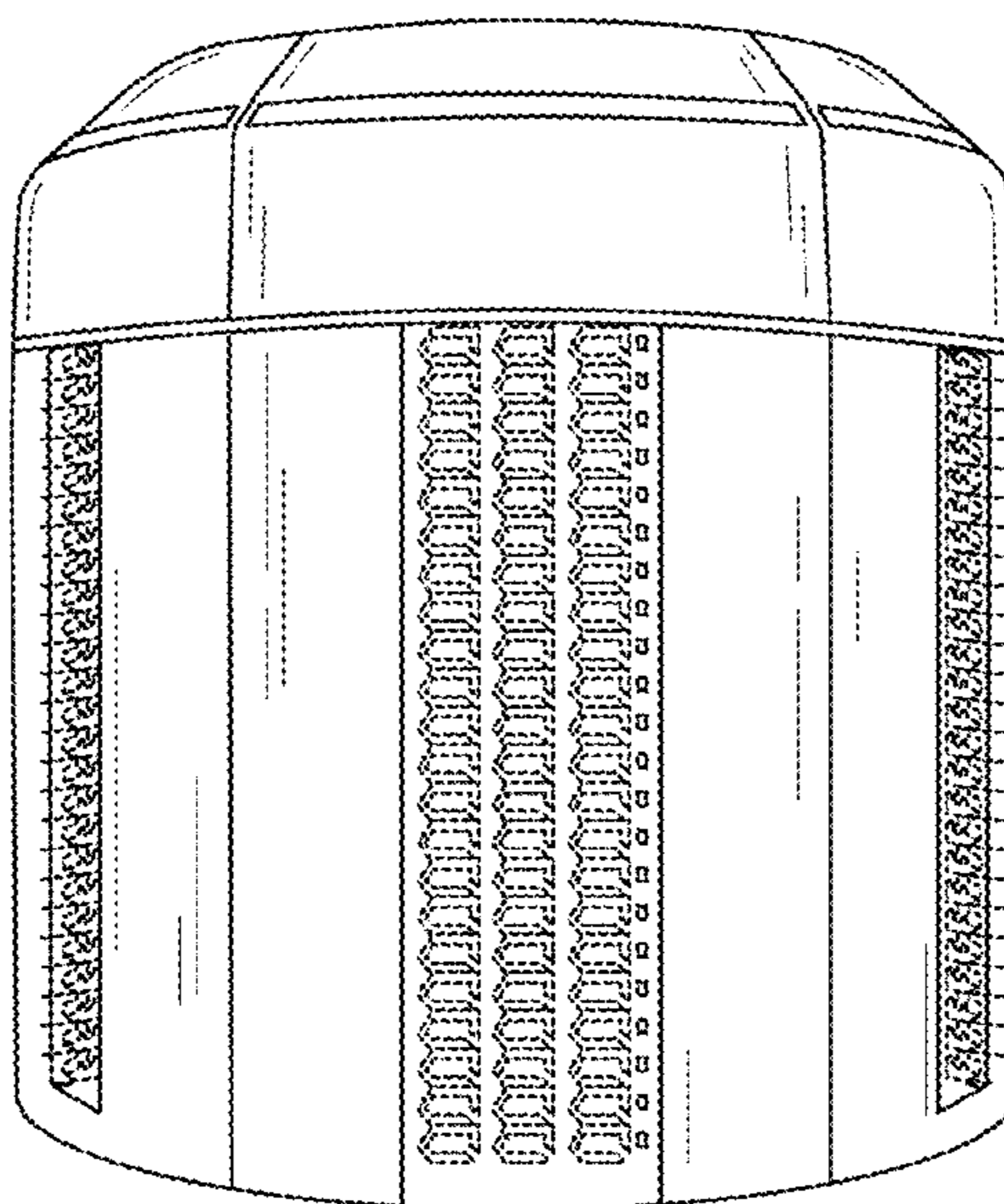
(57) **CLAIM**

The ornamental design for a server rack, as shown and described.

**DESCRIPTION**

FIG. 1 is a front elevational view of a server rack showing my new design, the broken lines are shown for environment only and form no part of the claimed design; FIG. 2 is a top, rear perspective view thereof; and, FIG. 3 is a top plan view thereof.

**1 Claim, 3 Drawing Sheets**



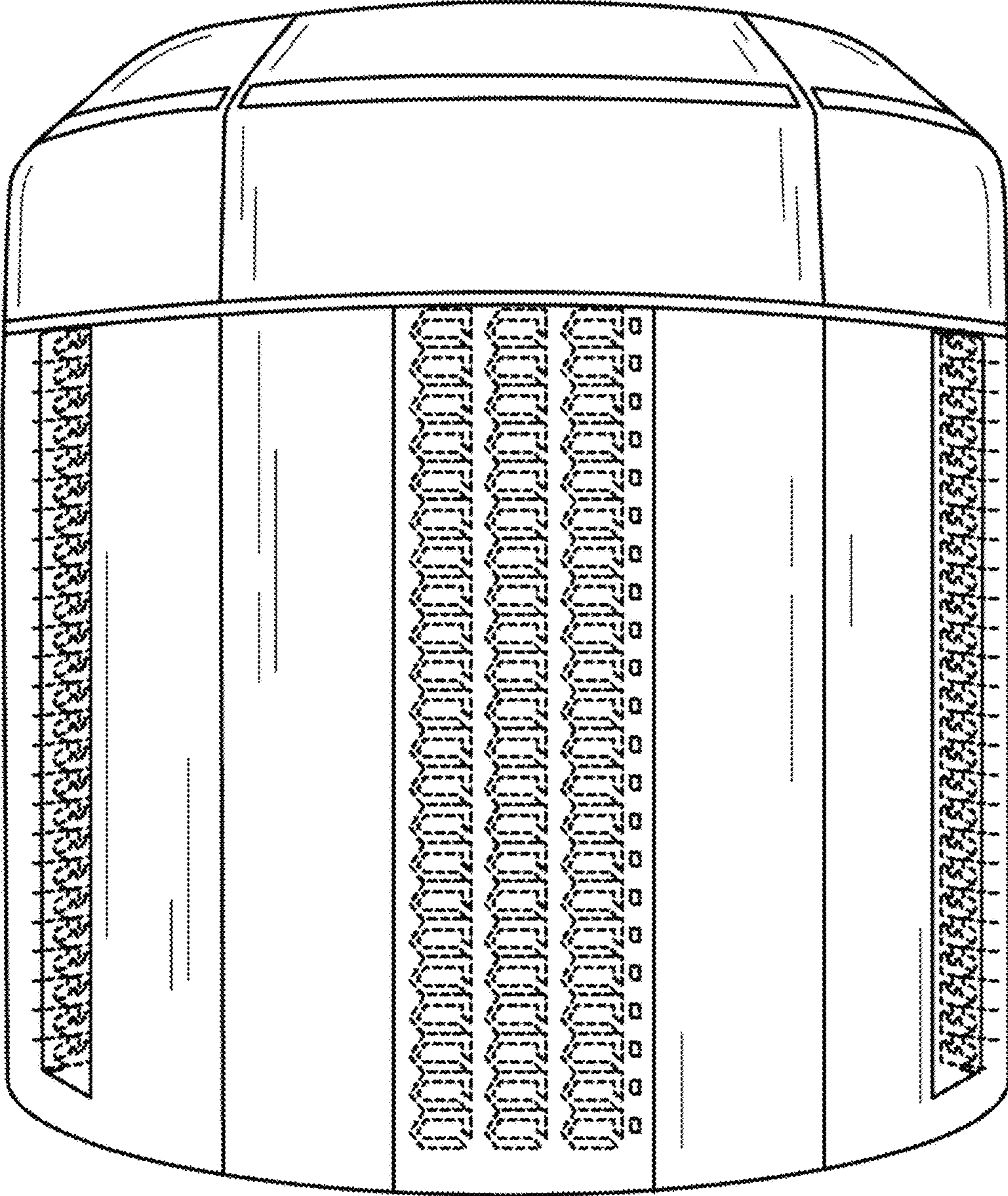


FIG. 1

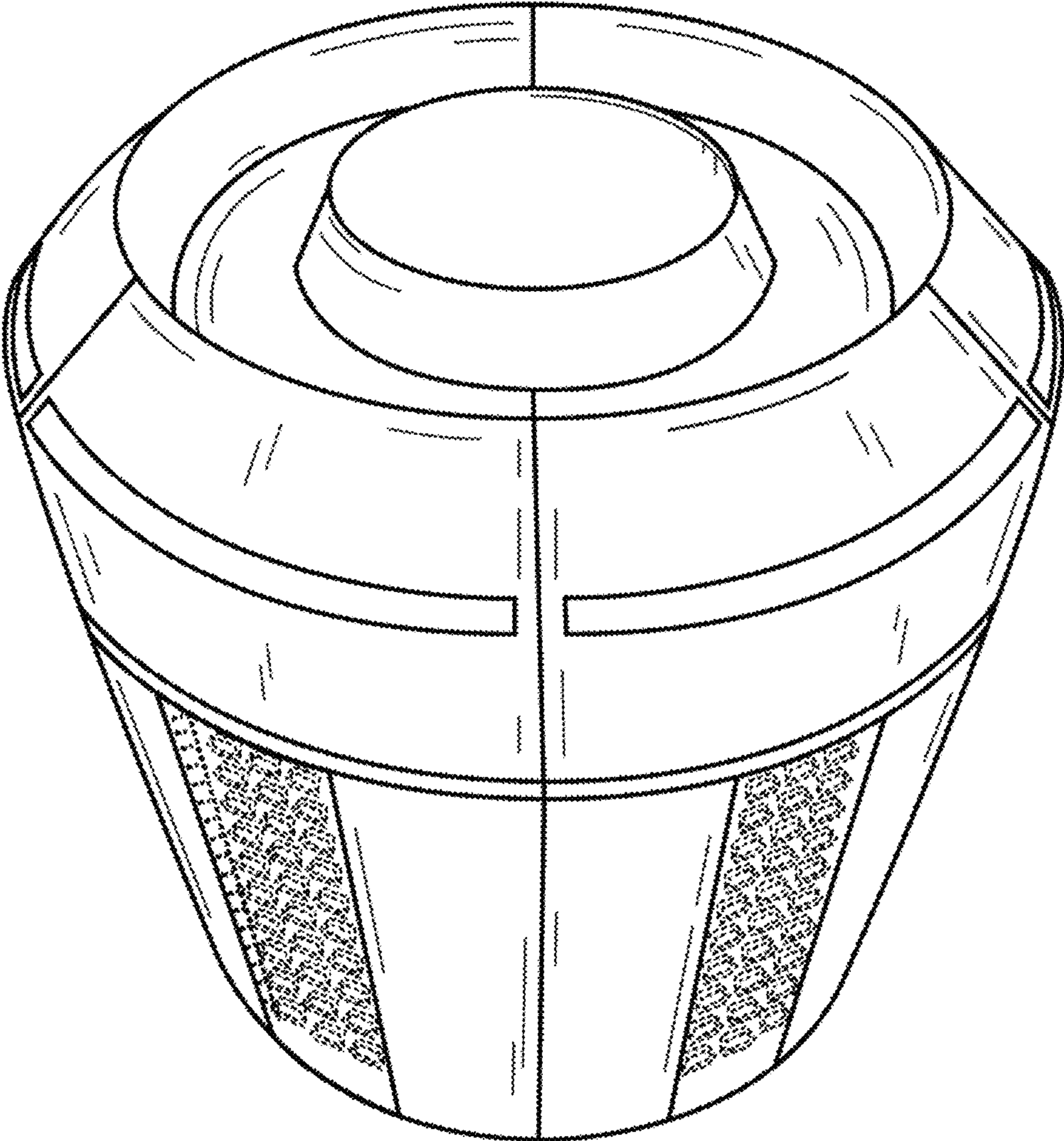


FIG. 2

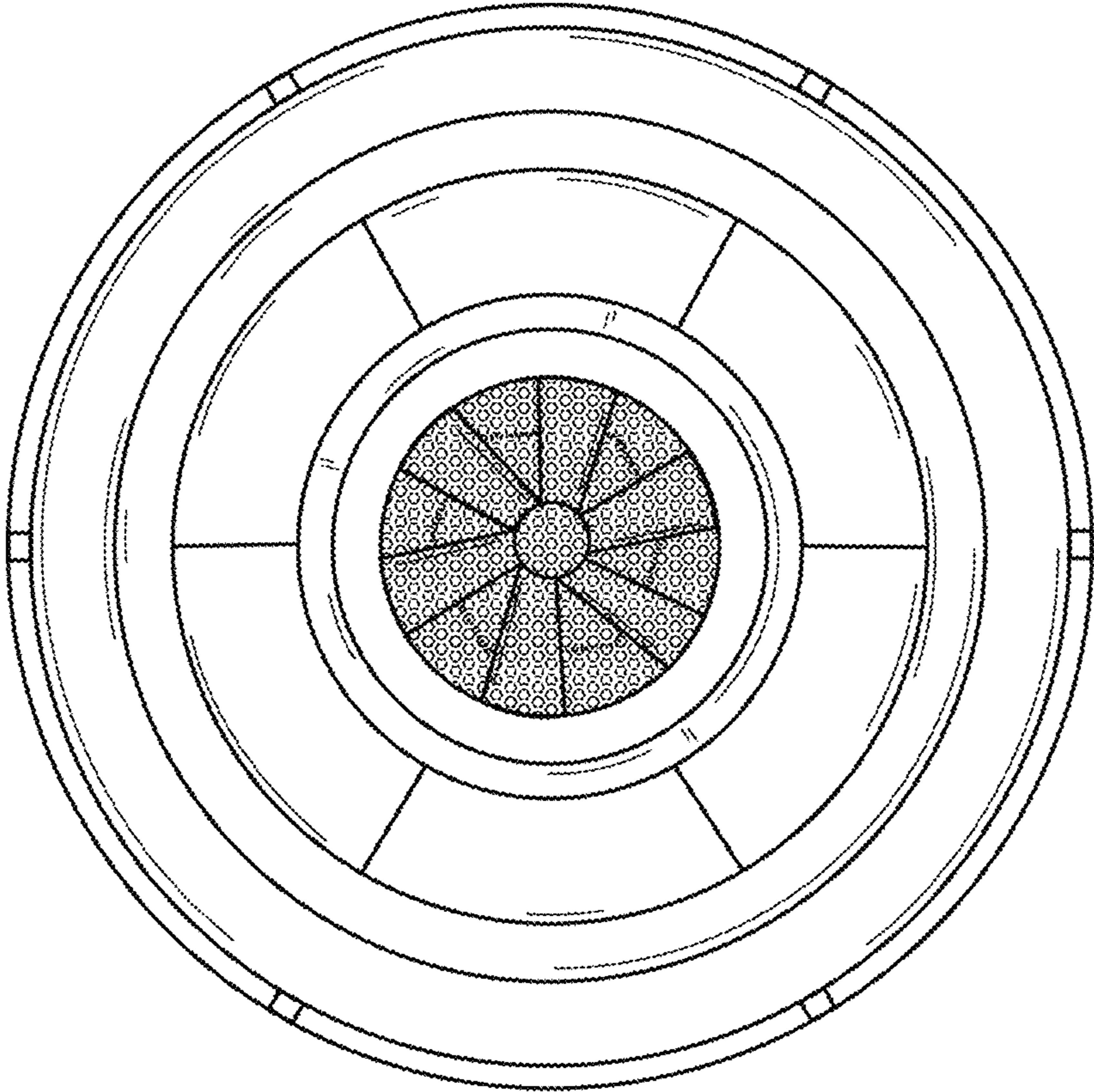


FIG. 3