



US00D792388S

(12) **United States Design Patent** (10) **Patent No.:** **US D792,388 S**
Taylor et al. (45) **Date of Patent:** **** Jul. 18, 2017**

- (54) **MOBILE WORKSTATION**
- (71) Applicant: **Brunswick Corporation**, Lake Forest, IL (US)
- (72) Inventors: **Paul Melvin Taylor**, Lake in the Hills, IL (US); **Paul Brian Siebert**, Chicago, IL (US); **Christopher Justin Mayer**, Chicago, IL (US)
- (73) Assignee: **Brunswick Corporation**, Lake Forest, IL (US)

- 6,267,345 B1 7/2001 Turner
- D453,754 S * 2/2002 Petersen D14/307
- 6,493,220 B1 12/2002 Clark et al.
- 6,712,008 B1 3/2004 Habenicht et al.
- 6,732,660 B2 5/2004 Dame et al.
- D505,948 S * 6/2005 Vrachan D14/307
- 7,009,840 B2 3/2006 Clark et al.
- 7,032,523 B2 4/2006 Forslund, III et al.
- D532,782 S * 11/2006 Russo D14/307
- D565,044 S * 3/2008 Witts D14/307
- D591,078 S * 4/2009 Singler D14/307
- D605,191 S * 12/2009 Kuroda D14/307

(Continued)

(**) Term: **15 Years**

(21) Appl. No.: **29/533,828**

(22) Filed: **Jul. 22, 2015**

(51) **LOC (10) Cl.** **14-02**

(52) **U.S. Cl.**
USPC **D14/307**

(58) **Field of Classification Search**
USPC D14/302-307, 900-902; D13/163;
D20/10; D21/332, 325, 369, 370;
D99/28; D6/397, 466; 194/206;
361/679.01, 679.02, 679.04, 679.21,
361/679.57, 725

CPC G06Q 20/18; G06Q 20/10; G06Q 20/123;
G06Q 20/20; G06Q 30/02; G06Q 30/06;
A47F 9/047

See application file for complete search history.

(56) **References Cited**

U.S. PATENT DOCUMENTS

- 5,244,267 A 9/1993 Fossier, Jr. et al.
- 5,282,341 A 2/1994 Baloga et al.
- 5,624,312 A 4/1997 Collier
- 5,687,513 A 11/1997 Baloga et al.
- 5,941,713 A 8/1999 Wayner et al.
- 6,205,716 B1 3/2001 Peltz
- 6,248,014 B1 6/2001 Collier

OTHER PUBLICATIONS

Media:scape Kiosk, Collaboration Solution, Steelcase brochure, Oct. 13, 2013, 2 pages.

(Continued)

Primary Examiner — Austin Murphy
(74) *Attorney, Agent, or Firm* — Andrus Intellectual Property Law, LLP

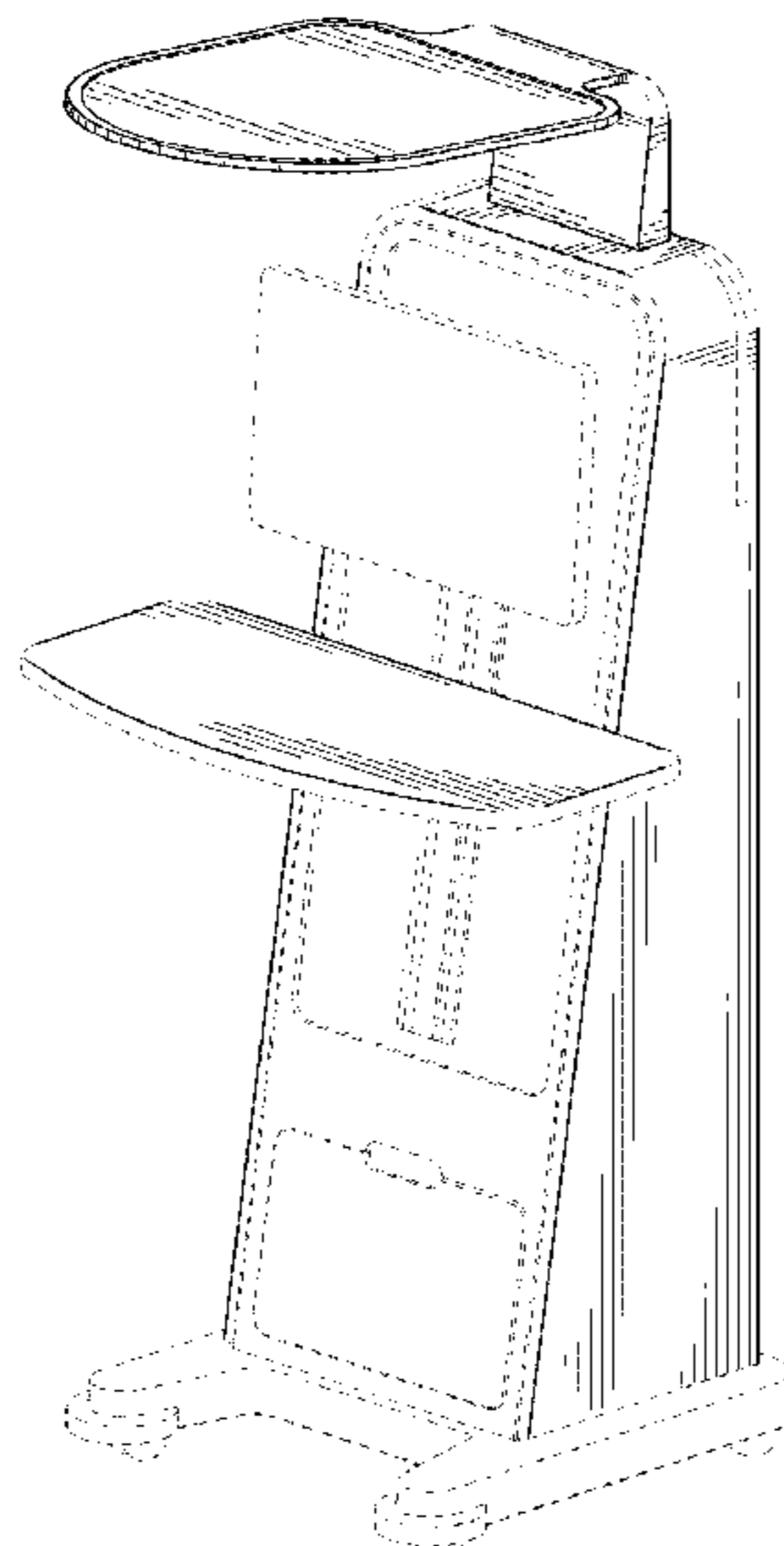
(57) **CLAIM**

The ornamental design for a mobile workstation, as shown and described.

DESCRIPTION

FIG. 1 is a front perspective view of the mobile workstation showing our design;
FIG. 2 is a front side elevation view thereof;
FIG. 3 is a back side elevation view thereof;
FIG. 4 is a right side elevation view thereof;
FIG. 5 is a left side elevation view thereof;
FIG. 6 is a top plane view thereof; and,
FIG. 7 is a bottom plane view thereof.
The broken lines represent portions of the mobile workstation that are shown for purposes of illustrating environment and form no part of the claimed design.

1 Claim, 4 Drawing Sheets



(56)

References Cited

U.S. PATENT DOCUMENTS

7,823,973 B2 11/2010 Dragusin
D628,742 S * 12/2010 Hsu D14/307
7,942,372 B2 5/2011 Koh
D646,269 S * 10/2011 Crick, Jr. D14/307
8,074,581 B2 12/2011 Epstein et al.
8,186,640 B2 5/2012 Bertrand
D661,292 S * 6/2012 Kuroda D14/307
8,292,807 B2 10/2012 Perkins et al.
D695,285 S * 12/2013 Smith D14/307
8,662,605 B2 3/2014 McRorie et al.
D701,860 S * 4/2014 Daniel D14/307
D707,674 S * 6/2014 Daniel D14/307
8,804,321 B2 8/2014 Kincaid et al.
D717,785 S * 11/2014 Winston D14/307
D723,025 S * 2/2015 Birgeoglu D14/307
D730,355 S * 5/2015 Daniel D14/307
D732,520 S * 6/2015 Themann D14/307
D742,870 S * 11/2015 Berini G06F 21/32
D14/307
D751,061 S * 3/2016 Berini D14/307
D762,635 S * 8/2016 Szeredi D14/307
D769,238 S * 10/2016 Birnie D14/307
D774,029 S * 12/2016 Kim D14/307
2002/0124271 A1 9/2002 Herrmann et al.
2010/0155563 A1 6/2010 Koh
2012/0174833 A1 7/2012 Early et al.
2013/0026310 A1 1/2013 Belcourt-McCabe

OTHER PUBLICATIONS

Portable Workstations, <http://www.godfreygroup.com/portable-workstations.html>, website visited Jun. 2, 2015.

* cited by examiner

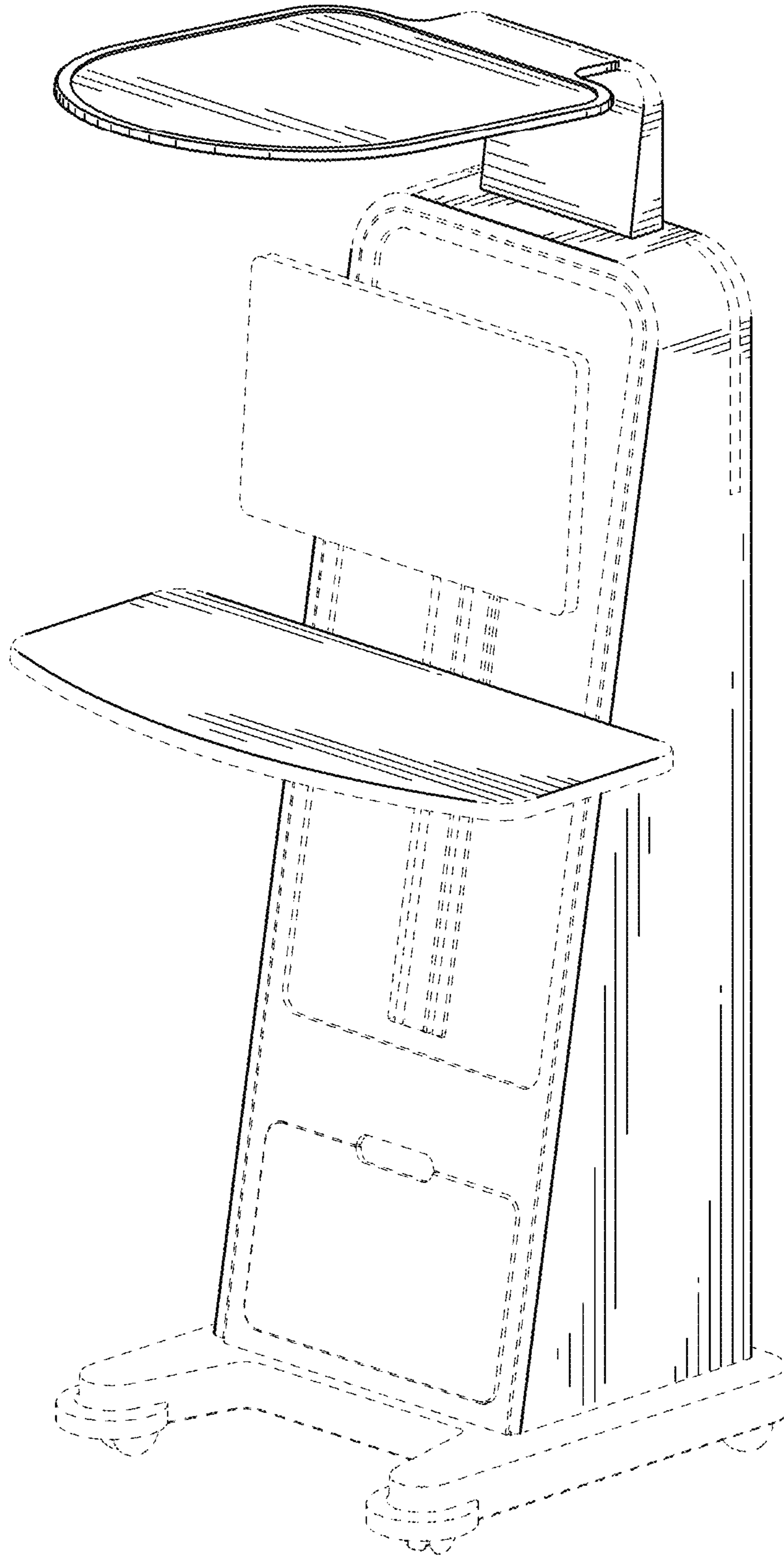


FIG. 1

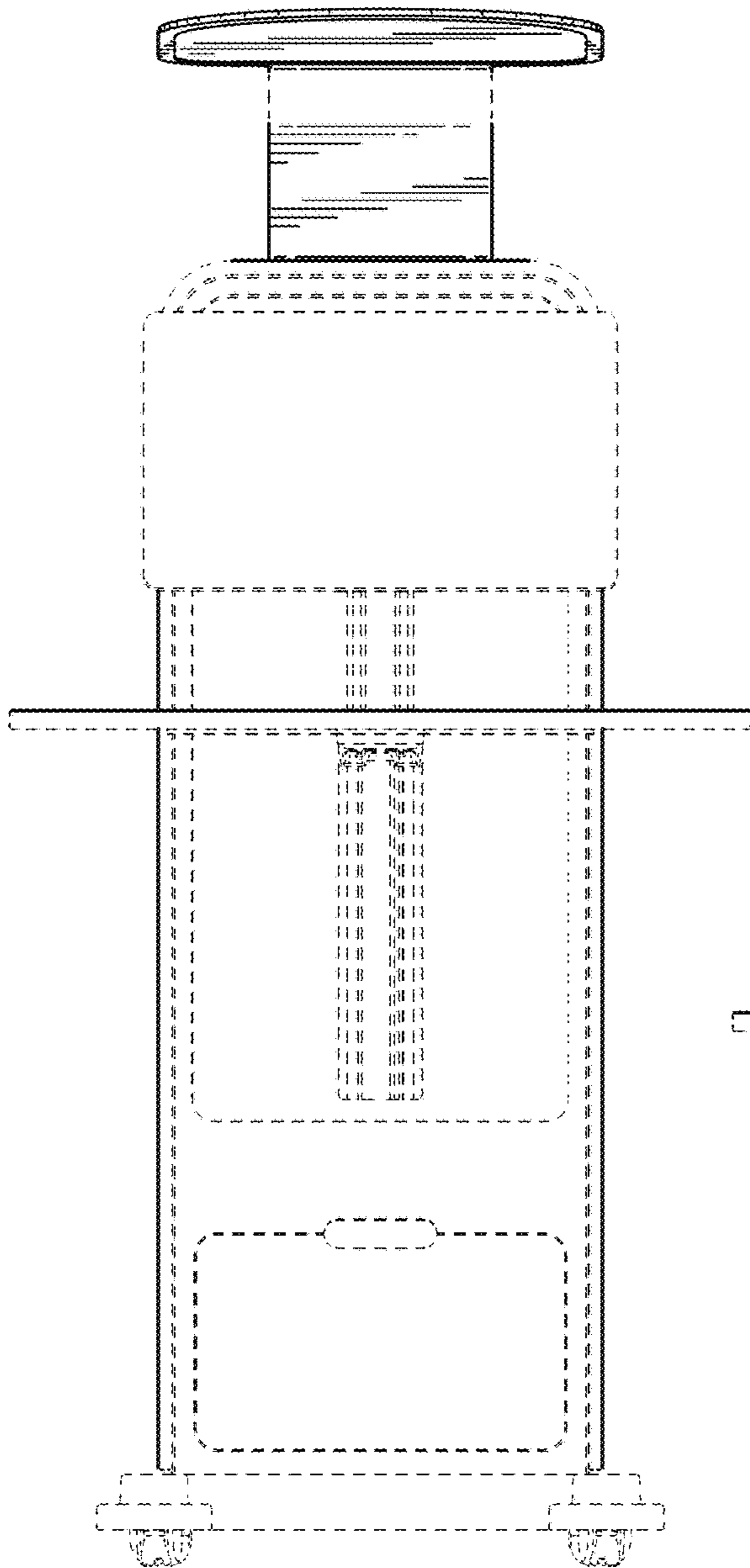


FIG. 2

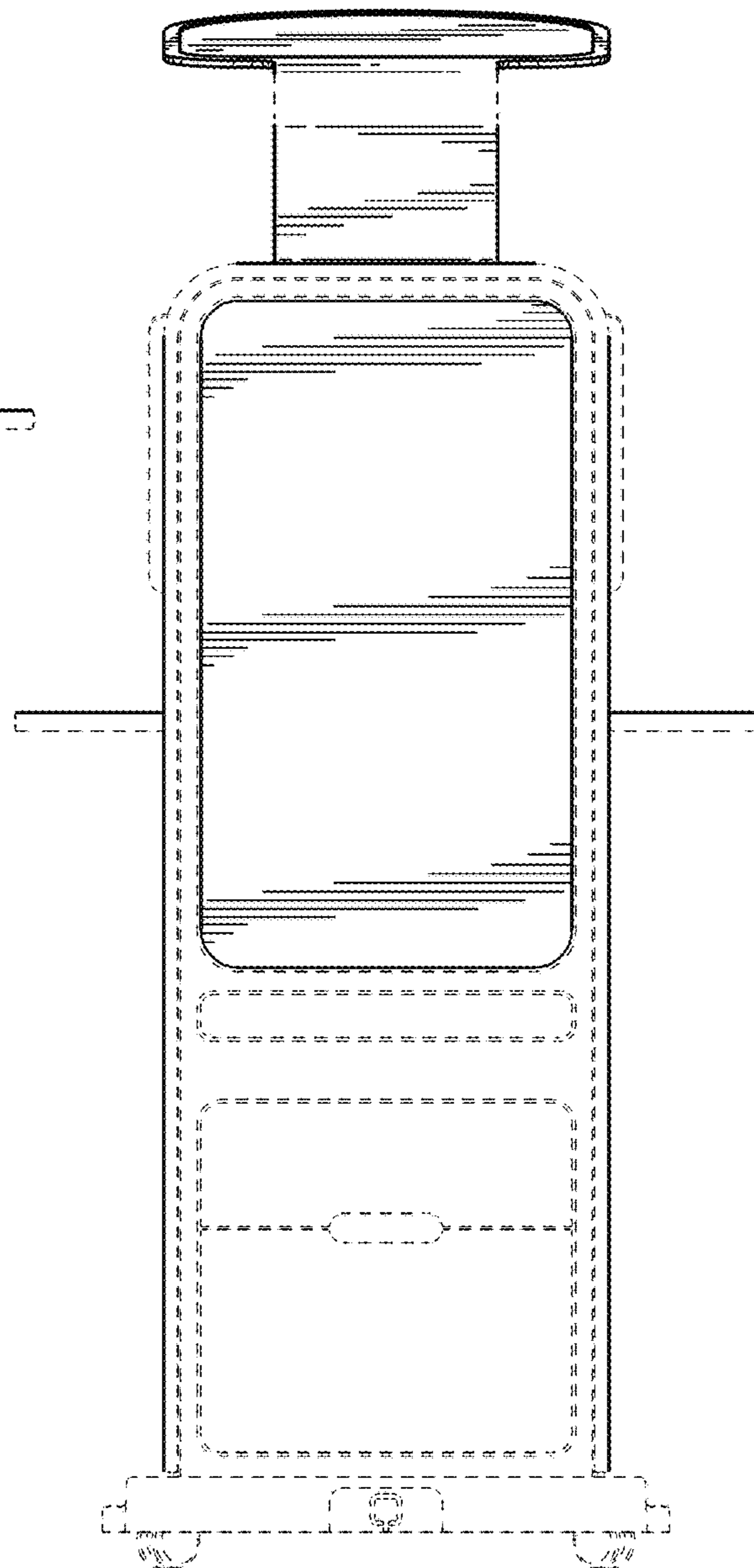


FIG. 3

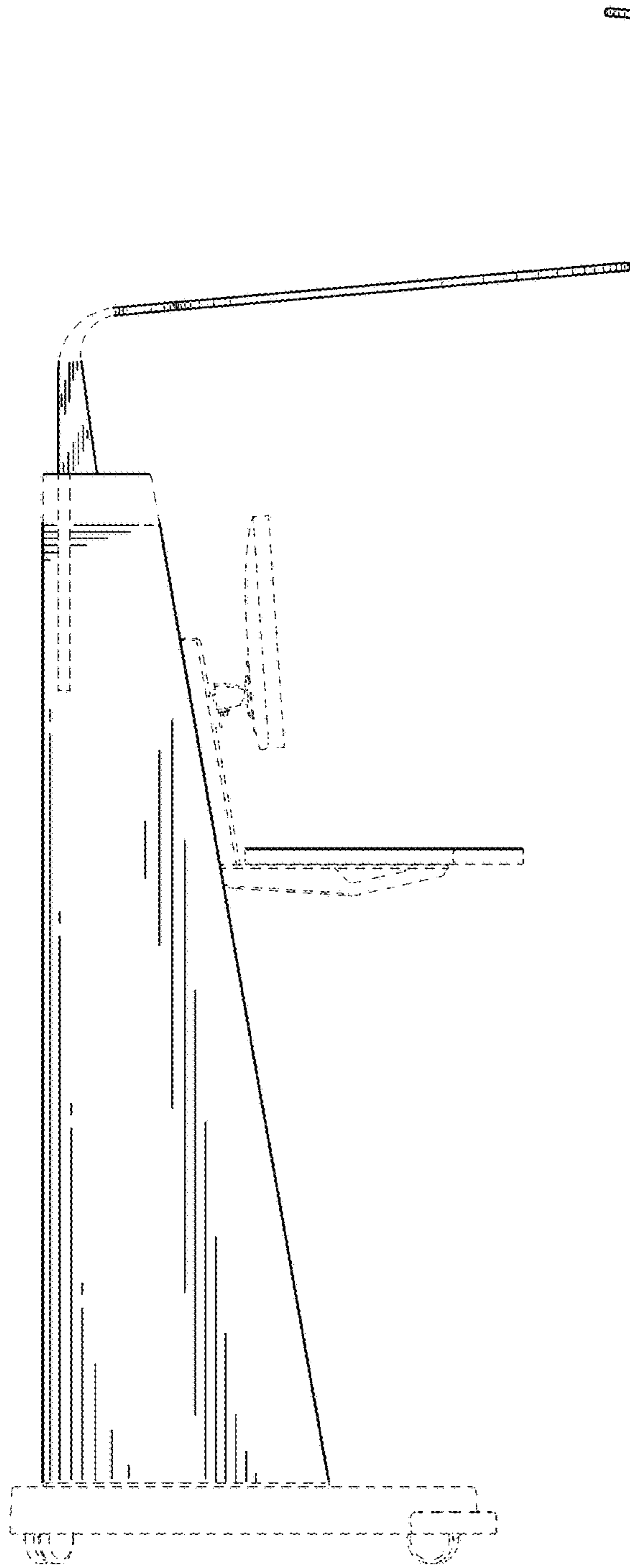


FIG. 4

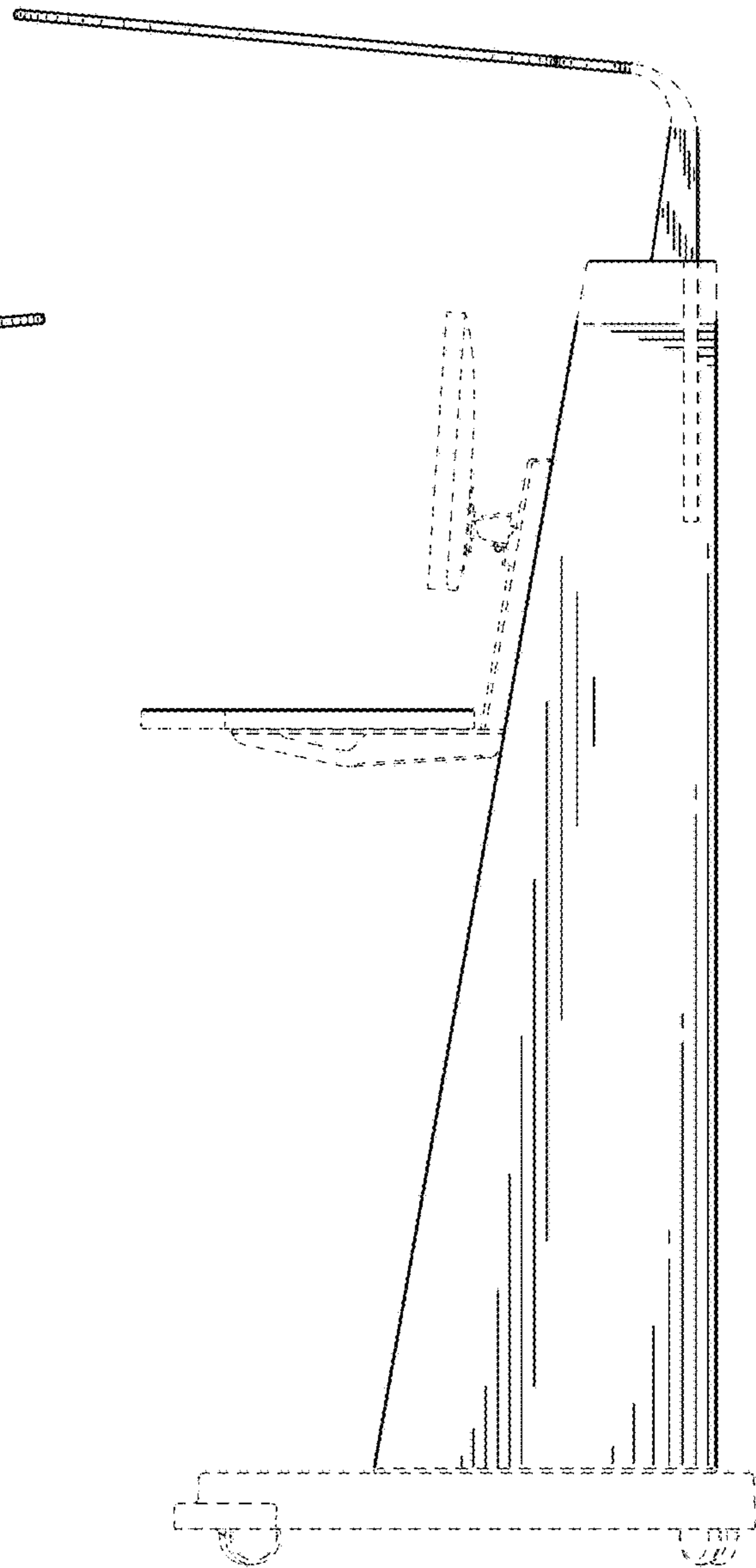


FIG. 5

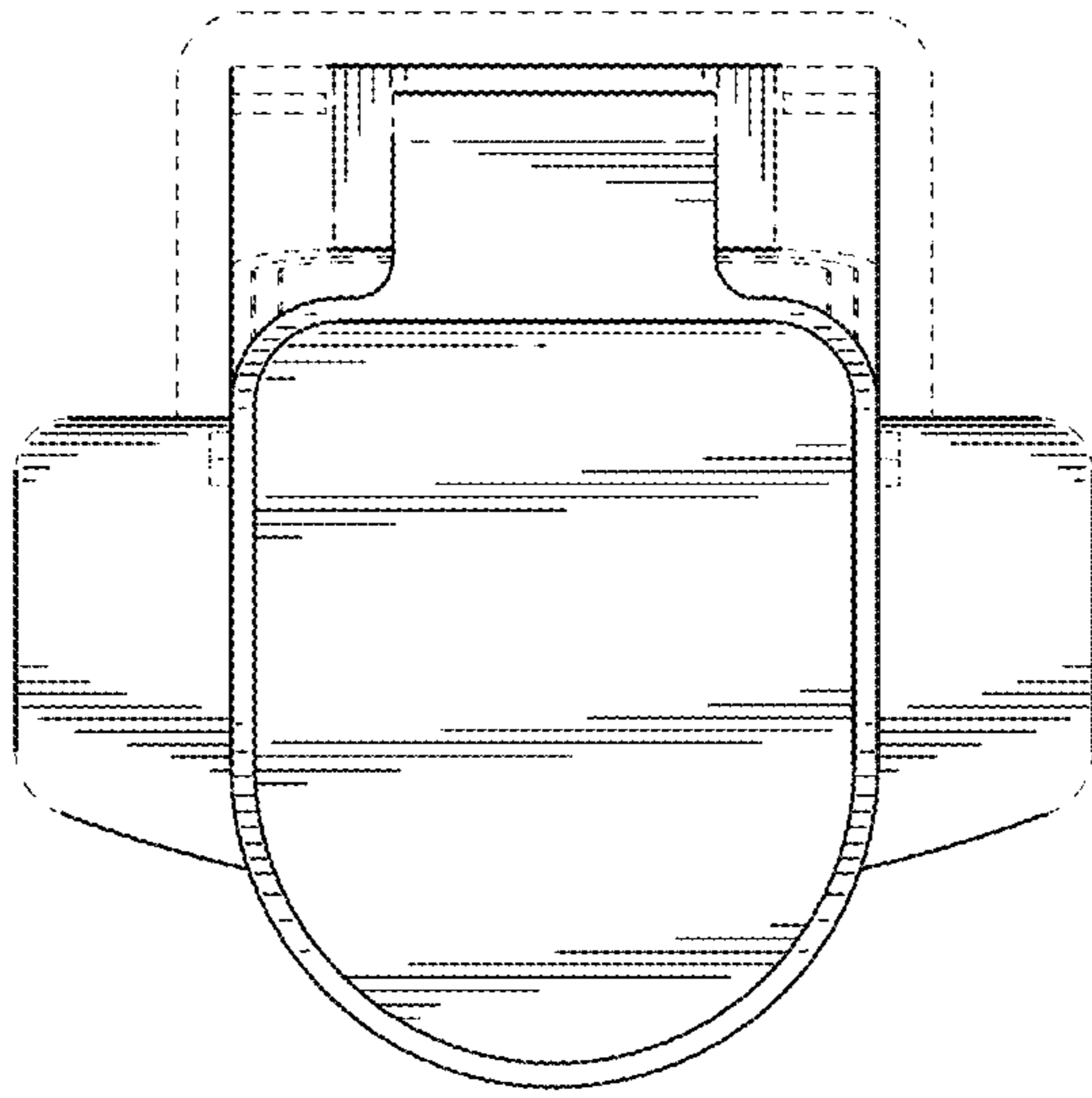


FIG. 6

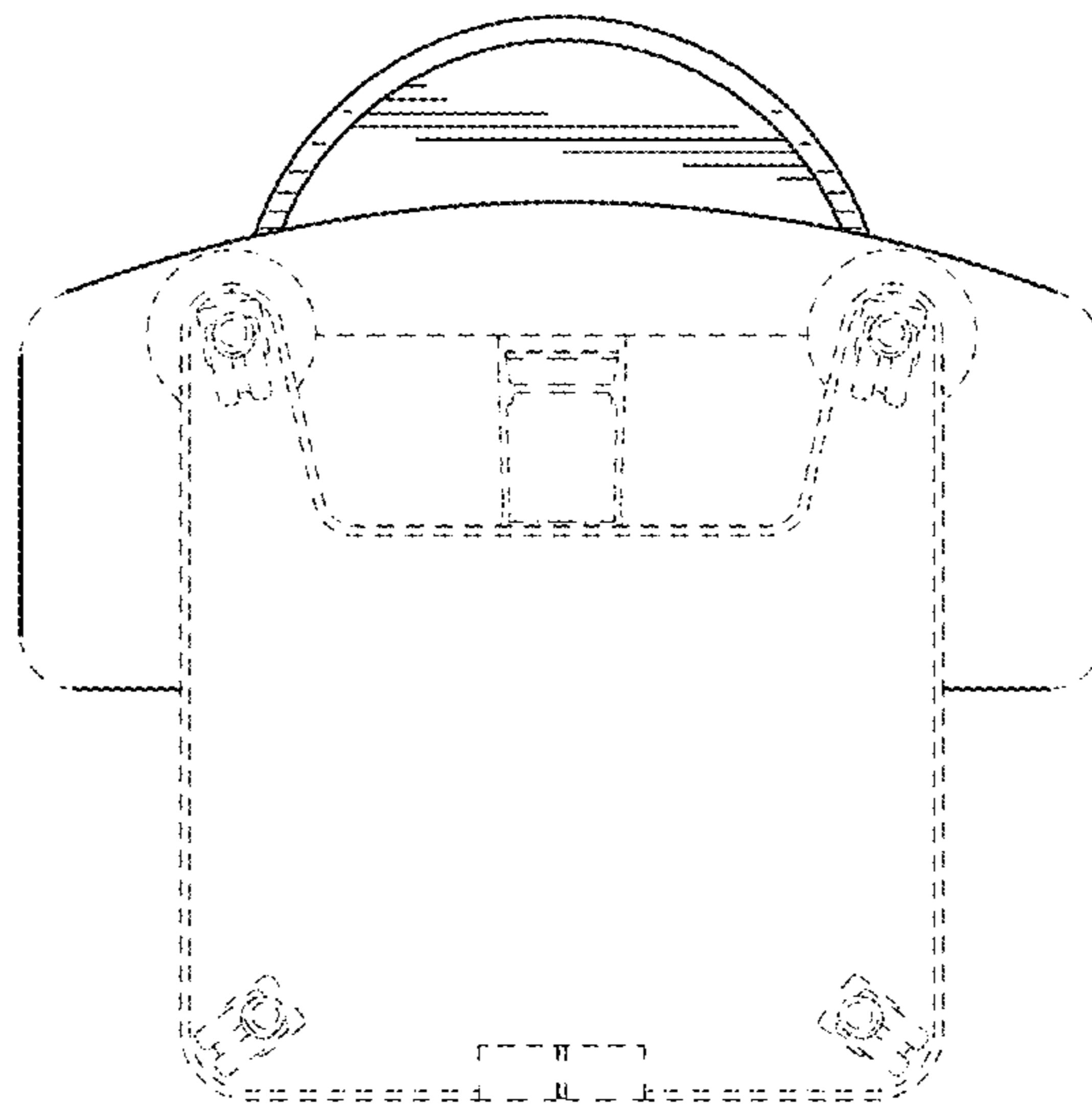


FIG. 7