

US00D792381S

(12) **United States Design Patent**  
**He et al.**

(10) **Patent No.:** **US D792,381 S**  
(45) **Date of Patent:** **\*\* Jul. 18, 2017**

- (54) **ANTENNA**
- (71) Applicant: **Airgain Incorporated**, San Diego, CA (US)
- (72) Inventors: **Ziming He**, Irvine, CA (US); **Xiangjie Bian**, Zhang Jia Gang (CN)
- (73) Assignee: **Airgain Incorporated**, San Diego, CA (US)
- (\*\*) Term: **15 Years**
- (21) Appl. No.: **29/555,959**
- (22) Filed: **Feb. 25, 2016**
- (51) **LOC (10) Cl.** ..... **14-03**
- (52) **U.S. Cl.**  
USPC ..... **D14/230**
- (58) **Field of Classification Search**  
USPC ..... D14/138, 230-238.1, 299, 358; D13/182  
CPC ..... H01L 33/48; H01L 33/486; H01L 23/02;  
H05K 5/00; H01Q 13/10  
See application file for complete search history.

- D606,053 S 12/2009 Wu et al.
  - D607,442 S 1/2010 Su et al.
  - D608,769 S 1/2010 Bufe
  - D612,368 S 3/2010 Yang et al.
  - 7,705,783 B2 4/2010 Rao et al.
  - 7,729,662 B2 6/2010 Abramov et al.
  - D621,819 S 8/2010 Tsai et al.
  - 7,843,390 B2 11/2010 Liu
  - D633,483 S 3/2011 Su et al.
  - D635,127 S 3/2011 Tsai et al.
  - 7,907,971 B2 3/2011 Salo et al.
  - D635,560 S 4/2011 Tsai et al.
  - D635,963 S 4/2011 Podduturi
  - D635,964 S 4/2011 Podduturi
  - D635,965 S 4/2011 Mi et al.
  - D636,382 S 4/2011 Podduturi
  - 7,965,242 B2 6/2011 Abramov et al.
  - D649,962 S 12/2011 Tseng et al.
  - D651,198 S 12/2011 Mi et al.
  - D654,059 S 2/2012 Mi et al.
  - D654,060 S 2/2012 Ko et al.
  - 8,134,505 B2 \* 3/2012 Yamagajo ..... G06K 19/07749  
340/572.1
  - D658,639 S 5/2012 Huang et al.
- (Continued)

*Primary Examiner* — Ian Simmons  
*Assistant Examiner* — Mojtaba Tehrani  
 (74) *Attorney, Agent, or Firm* — Clause Eight IPS;  
 Michael Catania

(56) **References Cited**

U.S. PATENT DOCUMENTS

- D353,799 S \* 12/1994 Speiser ..... D13/182
- 7,061,437 B2 6/2006 Lin et al.
- 7,148,849 B2 12/2006 Lin
- 7,215,296 B2 5/2007 Abramov et al.
- D546,821 S 7/2007 Oliver
- D549,696 S 8/2007 Oshima et al.
- 7,333,067 B2 2/2008 Hung et al.
- 7,336,959 B2 2/2008 Khitrik et al.
- D573,589 S 7/2008 Montgomery et al.
- 7,405,704 B1 7/2008 Lin et al.
- 7,477,195 B2 1/2009 Vance
- D592,195 S 5/2009 Wu et al.
- 7,570,215 B2 8/2009 Abramov et al.
- D599,334 S 9/2009 Chiang

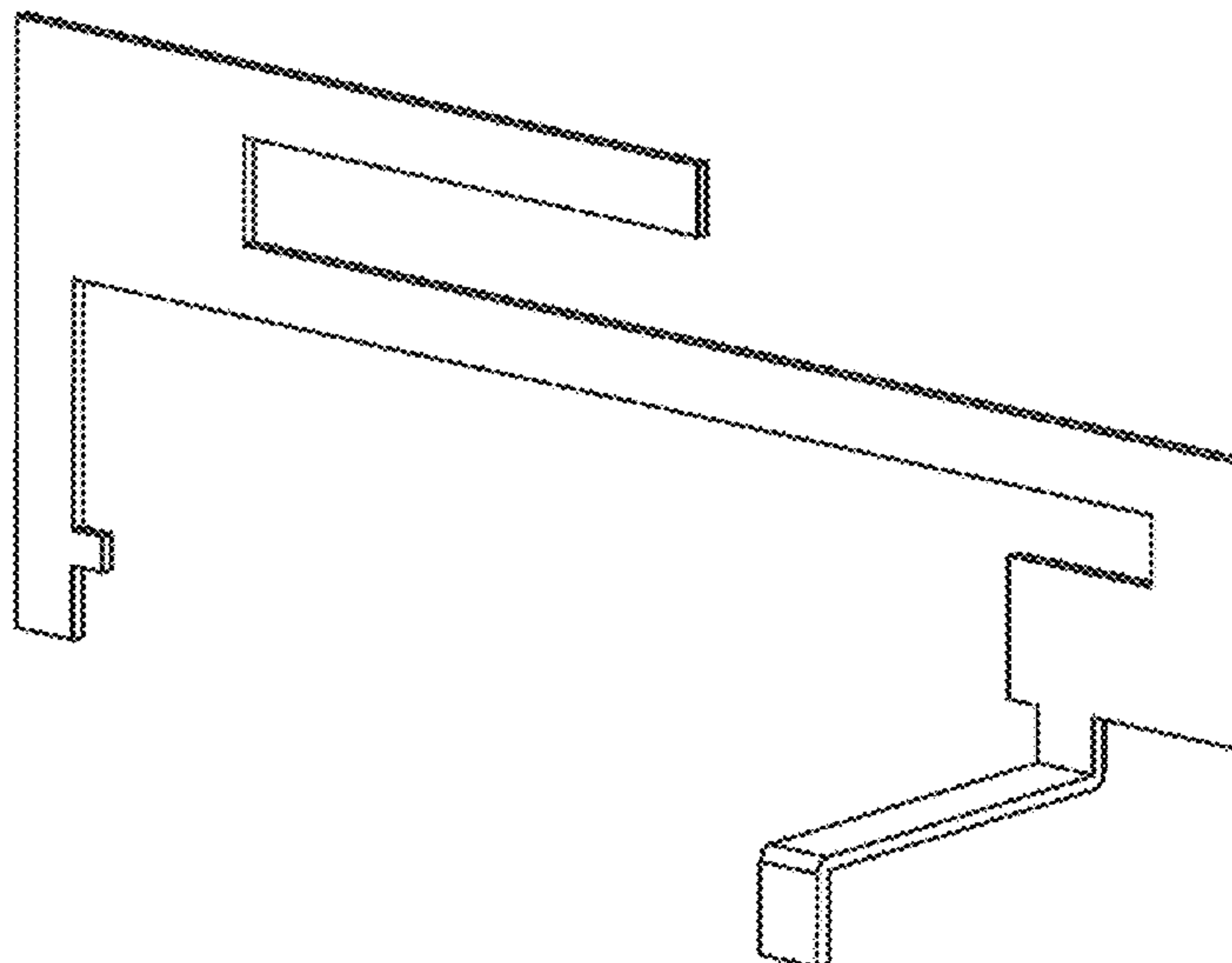
(57) **CLAIM**

The ornamental design for an antenna, as shown and described.

**DESCRIPTION**

FIG. 1 is a top perspective view of an antenna, showing our new design;  
 FIG. 2 is a top plan view thereof;  
 FIG. 3 is a front elevation view thereof; and,  
 FIG. 4 is a side elevation view thereof.

**1 Claim, 2 Drawing Sheets**



(56)

References Cited

U.S. PATENT DOCUMENTS

D659,129 S	5/2012	Mi et al.				
D659,685 S	5/2012	Huang et al.				
D659,688 S	5/2012	Huang et al.				
8,175,036 B2	5/2012	Visuri et al.				
8,184,601 B2	5/2012	Abramov et al.				
D662,916 S	7/2012	Huang et al.				
8,248,970 B2	8/2012	Abramov et al.				
D671,097 S	11/2012	Mi et al.				
8,310,402 B2	11/2012	Yang				
D676,429 S	2/2013	Gosalia et al.				
D678,255 S	3/2013	Ko et al.				
8,423,084 B2	4/2013	Abramov et al.				
D684,565 S	6/2013	Wei				
D685,352 S	7/2013	Wei				
D685,772 S	7/2013	Zheng et al.				
D686,600 S	7/2013	Yang				
D689,474 S	9/2013	Yang et al.				
D692,870 S	11/2013	He				
D694,738 S	12/2013	Yang				
D695,279 S	12/2013	Yang et al.				
D695,280 S	12/2013	Yang et al.				
D703,195 S	4/2014	Zheng				
D703,196 S	4/2014	Zheng				
8,736,494 B2 *	5/2014	Huang	.....	H01Q 9/0421		
				343/700 MS		
D706,247 S	6/2014	Zheng et al.				
D706,750 S	6/2014	Bringuir				
D706,751 S	6/2014	Chang et al.				
D708,602 S	7/2014	Gosalia et al.				
D709,053 S	7/2014	Chang et al.				
D710,832 S	8/2014	Yang				
D710,833 S *	8/2014	Zheng	.....	D14/230		
8,854,265 B1	10/2014	Yang et al.				
D716,775 S	11/2014	Bidermann				
D750,049 S *	2/2016	Podduturi	.....	D14/230		
D772,849 S *	11/2016	Chen	.....	D14/230		
D774,024 S *	12/2016	Lee	.....	D14/230		
2002/0003499 A1	1/2002	Kouam et al.				
2004/0222936 A1	11/2004	Hung et al.				
2005/0073462 A1	4/2005	Lin et al.				
2005/0190108 A1	9/2005	Lin et al.				
2005/0259024 A1 *	11/2005	Hung	.....	H01Q 1/36		
				343/770		
2006/0208900 A1	9/2006	Tavassoli Hozouri				
2007/0030203 A1	2/2007	Tsai et al.				
2008/0150829 A1	6/2008	Lin et al.				
2009/0002244 A1	1/2009	Woo				
2009/0058739 A1	3/2009	Konishi				
2009/0135072 A1	5/2009	Ke et al.				
2009/0262028 A1	10/2009	Mumbru et al.				
2010/0188297 A1	7/2010	Chen et al.				
2010/0309067 A1	12/2010	Tsou et al.				
2011/0006950 A1	1/2011	Park et al.				
2011/0037672 A1 *	2/2011	Tseng	.....	H01Q 1/243		
				343/767		
2011/0175794 A1 *	7/2011	Tai	.....	H01Q 9/0421		
				343/908		
2011/0193759 A1 *	8/2011	You	.....	H01Q 1/243		
				343/770		
2012/0038514 A1	2/2012	Bang				
2012/0229348 A1	9/2012	Chiang				
2012/0229360 A1 *	9/2012	Jagielski	.....	H01Q 9/30		
				343/860		
2012/0242546 A1	9/2012	Hu et al.				

\* cited by examiner

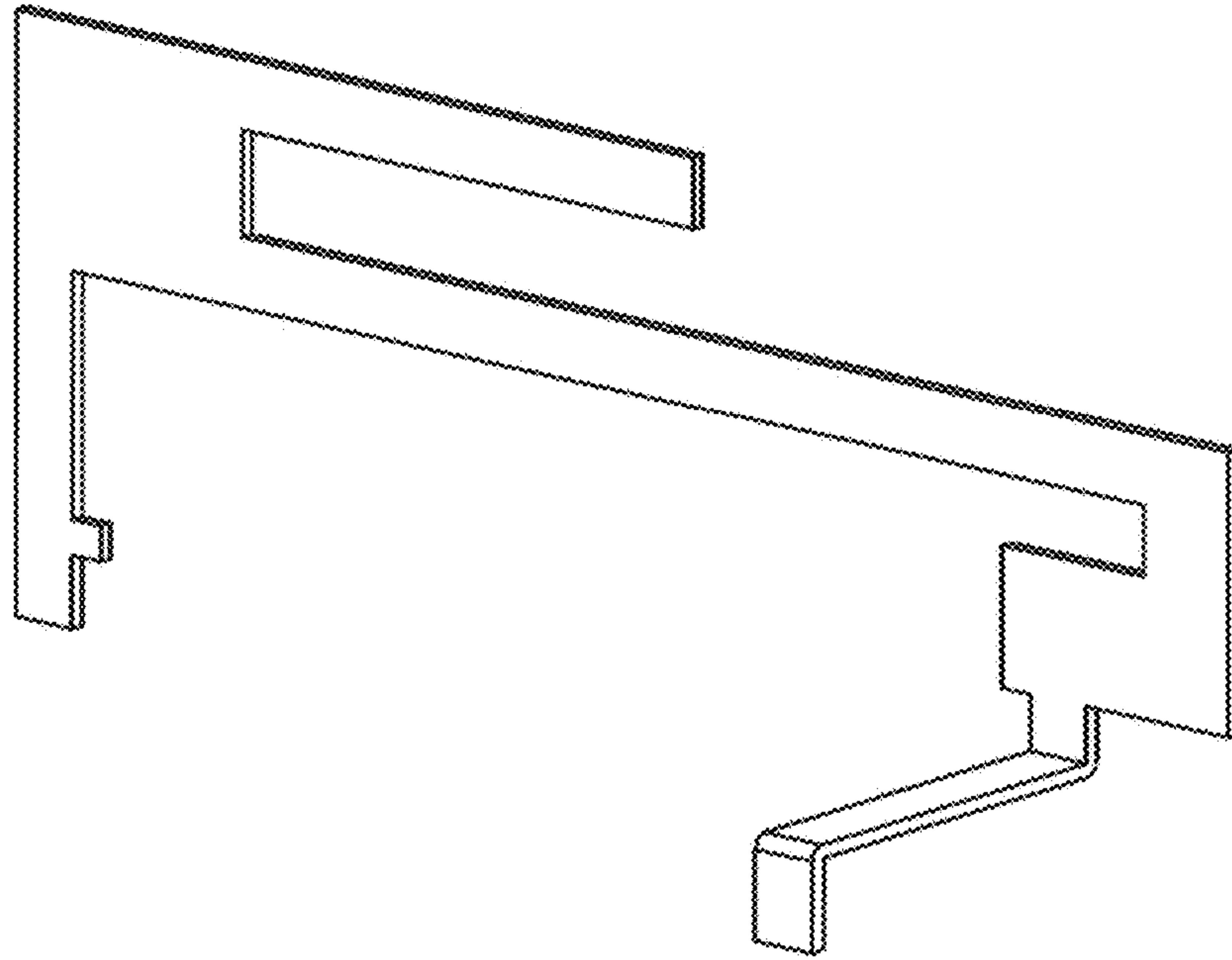


FIG. 1

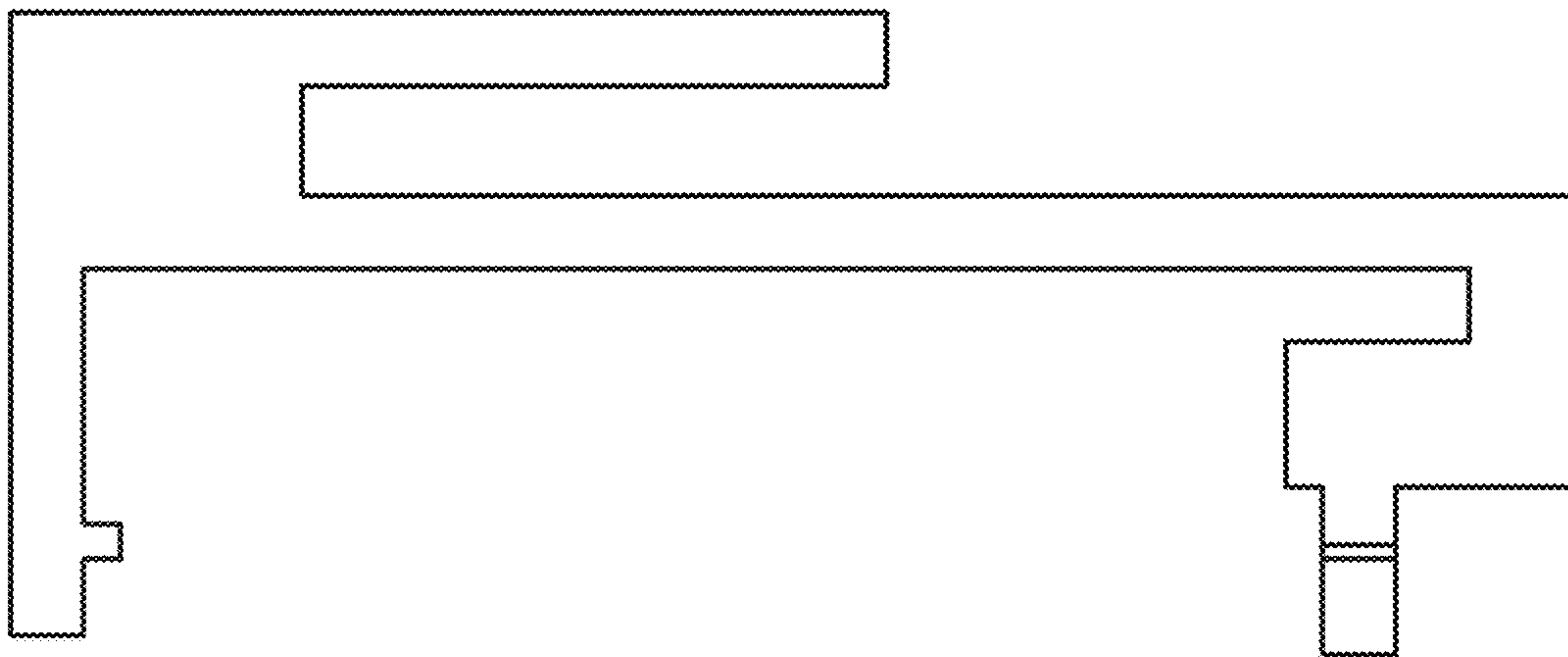


FIG. 2



FIG. 3

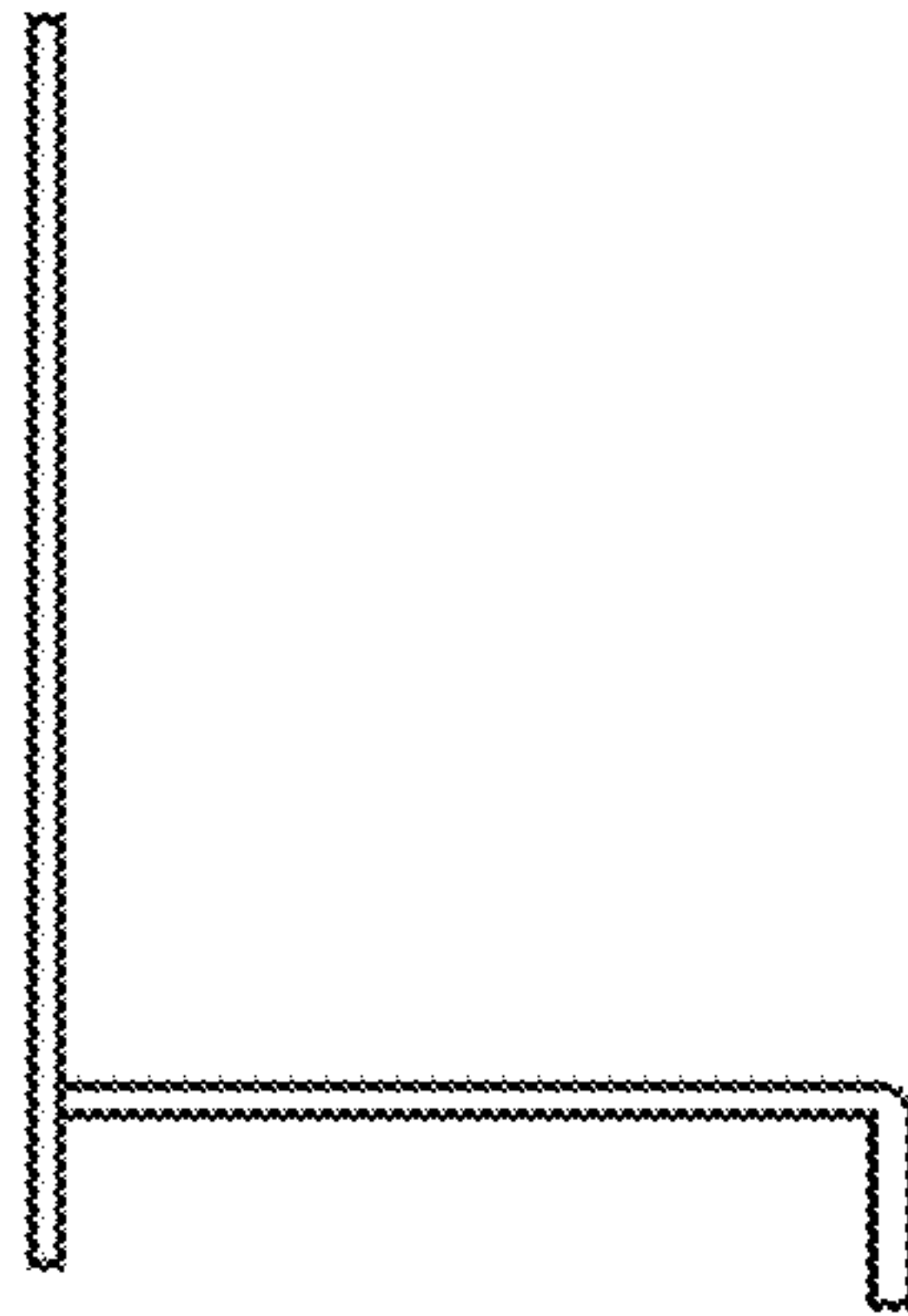


FIG. 4