



US00D792379S

(12) **United States Design Patent**  
**Harper**

(10) **Patent No.:** **US D792,379 S**  
(45) **Date of Patent:** **\*\* Jul. 18, 2017**

- (54) **COMMUNICATIONS HEADSET**
- (71) Applicant: **Plantronics, Inc.**, Santa Cruz, CA (US)
- (72) Inventor: **Pierre Harper**, Santa Cruz, CA (US)
- (73) Assignee: **Plantronics, Inc.**, Santa Cruz, CA (US)
- (\*\*) Term: **15 Years**
- (21) Appl. No.: **29/555,275**
- (22) Filed: **Feb. 19, 2016**

**Related U.S. Application Data**

- (62) Division of application No. 29/517,379, filed on Feb. 12, 2015, now Pat. No. Des. 761,769.
- (51) **LOC (10) Cl.** ..... **14-01**
- (52) **U.S. Cl.**  
USPC ..... **D14/223**
- (58) **Field of Classification Search**  
USPC ..... D14/223, 240, 188, 138 AA; D3/269;  
D13/184; 181/129, 130, 135; 379/430,  
379/431; 381/380, 381  
CPC ..... H04R 1/10; H04R 25/00; H04R 1/1016;  
H04R 1/1066; H04R 1/1058  
See application file for complete search history.

(56) **References Cited**

**U.S. PATENT DOCUMENTS**

- D144,987 S \* 6/1946 Reilly ..... D28/79
- 3,693,089 A \* 9/1972 Hutchinson ..... H04B 1/0343  
174/559
- D310,082 S \* 8/1990 Kehl ..... D14/225
- D349,687 S \* 8/1994 Khoo ..... D13/162
- D376,350 S \* 12/1996 Worley ..... D13/184
- D418,515 S \* 1/2000 Tucker ..... D13/184
- D427,978 S \* 7/2000 Kabat ..... D13/184
- D504,691 S \* 5/2005 Ohno ..... D14/496
- D514,590 S \* 2/2006 Naruki ..... D14/203.3
- 7,079,664 B2 \* 7/2006 Nassimi ..... H04R 25/558  
381/328
- D535,281 S \* 1/2007 Yang ..... D14/203.3

- D535,974 S \* 1/2007 Alwicker ..... D14/188
- D536,431 S \* 2/2007 Campbell ..... D23/356
- D536,692 S \* 2/2007 Alwicker ..... D14/188
- D538,271 S \* 3/2007 Kim ..... D14/223
- 7,197,248 B1 \* 3/2007 Vorontsov ..... H04B 10/1127  
398/119
- D539,777 S \* 4/2007 Pena Angarita ..... D14/138 R
- D539,787 S \* 4/2007 Kim ..... D14/223
- D548,747 S \* 8/2007 Andre ..... D14/496
- D550,215 S \* 9/2007 Udagawa ..... D14/223

(Continued)

**FOREIGN PATENT DOCUMENTS**

- CN 302650500 S 11/2013
- CN 303169009 S 4/2015
- KR 30-2012-0000470 4/2012

**OTHER PUBLICATIONS**

Taiwan IPO Search Report issued Nov. 2015, for Taiwan Design Patent Application No. 104303940, 1 page.

*Primary Examiner* — Paula Greene

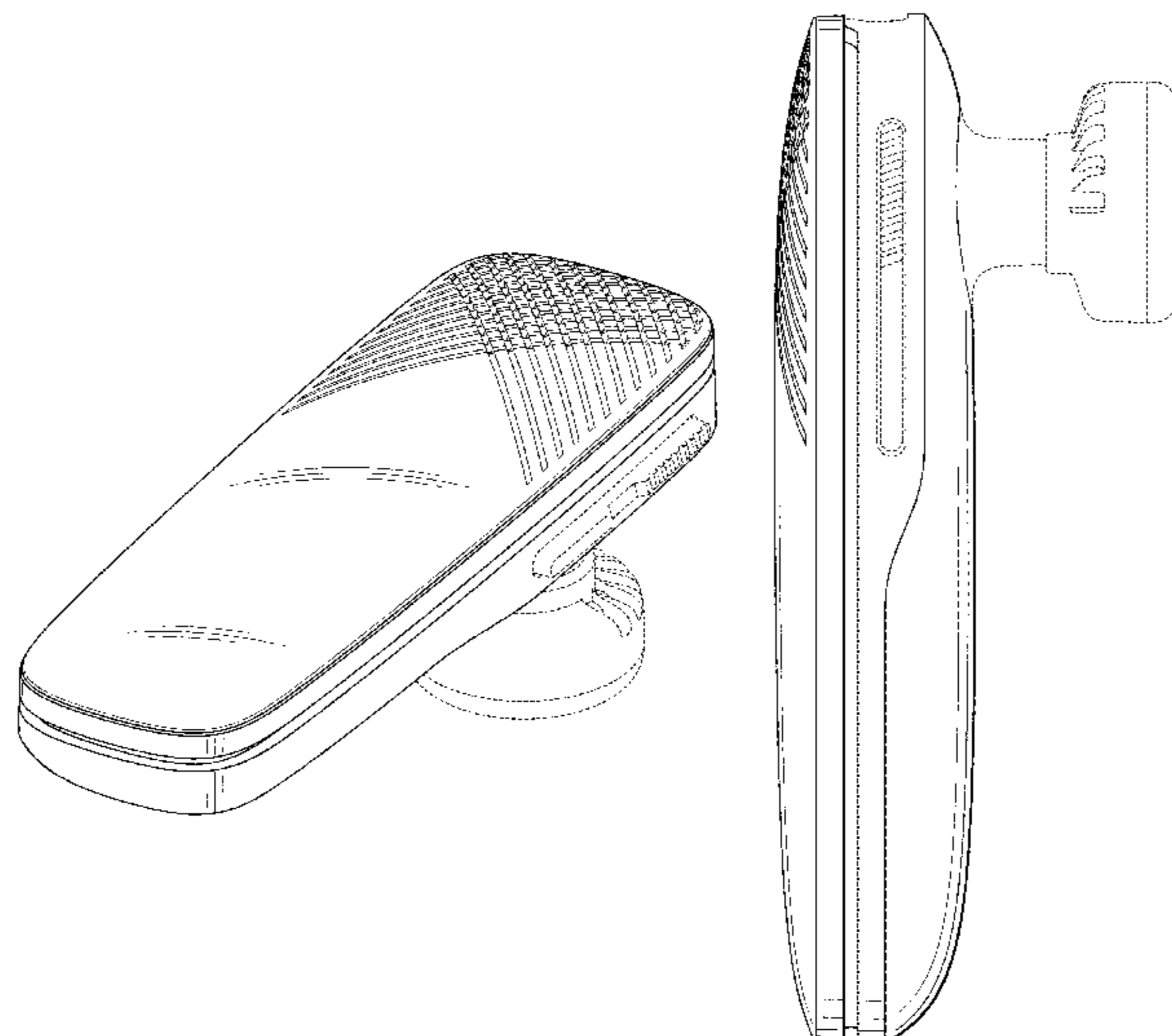
(57) **CLAIM**

The ornamental design for a communications headset, as shown and described.

**DESCRIPTION**

FIG. 1 is a top-front-right perspective view of a communications headset showing my new design;  
 FIG. 2 is a top view thereof;  
 FIG. 3 is a bottom view thereof;  
 FIG. 4 is a left view thereof;  
 FIG. 5 is a right view thereof;  
 FIG. 6 is a back view thereof; and,  
 FIG. 7 is a front view thereof.  
 The broken lines showing the unclaimed features form no part of the claimed design.

**1 Claim, 6 Drawing Sheets**



(56)

References Cited

U.S. PATENT DOCUMENTS

D558,757 S \* 1/2008 Andre ..... D14/138 G  
 D566,103 S \* 4/2008 Sade ..... D14/223  
 D566,696 S \* 4/2008 Schmelling ..... D14/223  
 D566,706 S \* 4/2008 Andre ..... D14/341  
 D568,301 S \* 5/2008 Kim ..... D14/205  
 7,376,449 B2 \* 5/2008 Mizuta ..... H04M 1/0237  
 348/E7.081  
 D573,983 S \* 7/2008 Bang ..... D14/223  
 D581,396 S \* 11/2008 Wikel ..... D14/206  
 D582,397 S \* 12/2008 Christopher ..... D14/205  
 D582,897 S \* 12/2008 Christopher ..... D14/223  
 D585,431 S \* 1/2009 Bradford ..... D14/205  
 D588,113 S \* 3/2009 Bradford ..... D14/223  
 D590,377 S 4/2009 Bradford  
 D590,813 S 4/2009 Bradford et al.  
 D598,900 S \* 8/2009 Wikel ..... D14/223  
 D603,378 S \* 11/2009 Paradise ..... D14/223  
 D604,722 S \* 11/2009 Mistry ..... D14/223  
 D609,695 S \* 2/2010 Cigliano ..... D14/205  
 D616,873 S \* 6/2010 Olivier ..... D14/223  
 D618,221 S \* 6/2010 Fahrendorff ..... D14/223  
 D620,927 S \* 8/2010 Li ..... D14/223  
 D629,396 S 12/2010 Andre et al.

D630,620 S \* 1/2011 Lee ..... D14/223  
 D633,481 S 3/2011 Chen  
 D636,381 S \* 4/2011 Liner ..... D14/223  
 D637,184 S \* 5/2011 March ..... D14/223  
 D640,242 S \* 6/2011 Fahrendorff ..... D14/223  
 D643,420 S \* 8/2011 Huang ..... D14/223  
 D649,957 S \* 12/2011 Fahrendorff ..... D14/223  
 D656,128 S \* 3/2012 Park ..... D14/223  
 D656,490 S 3/2012 Birger  
 D657,781 S 4/2012 Yang  
 D664,125 S 7/2012 Koch et al.  
 D664,950 S \* 8/2012 Rye ..... D14/223  
 8,270,915 B2 \* 9/2012 Sanford ..... H01Q 1/243  
 343/904  
 8,285,208 B2 \* 10/2012 Terlizzi ..... H04M 1/05  
 379/428.02  
 D671,096 S \* 11/2012 Song ..... D14/223  
 D675,600 S 2/2013 Koch  
 D680,101 S 4/2013 Koch  
 D691,120 S 10/2013 Koch  
 D693,796 S \* 11/2013 Birger ..... D14/223  
 D746,267 S \* 12/2015 Birger ..... D14/223  
 9,301,037 B1 \* 3/2016 Kalyvas ..... H04R 1/1066  
 D761,769 S \* 7/2016 Harper ..... D14/223  
 D772,203 S \* 11/2016 Zeng ..... D14/223  
 D779,462 S \* 2/2017 Birger ..... D14/223

\* cited by examiner

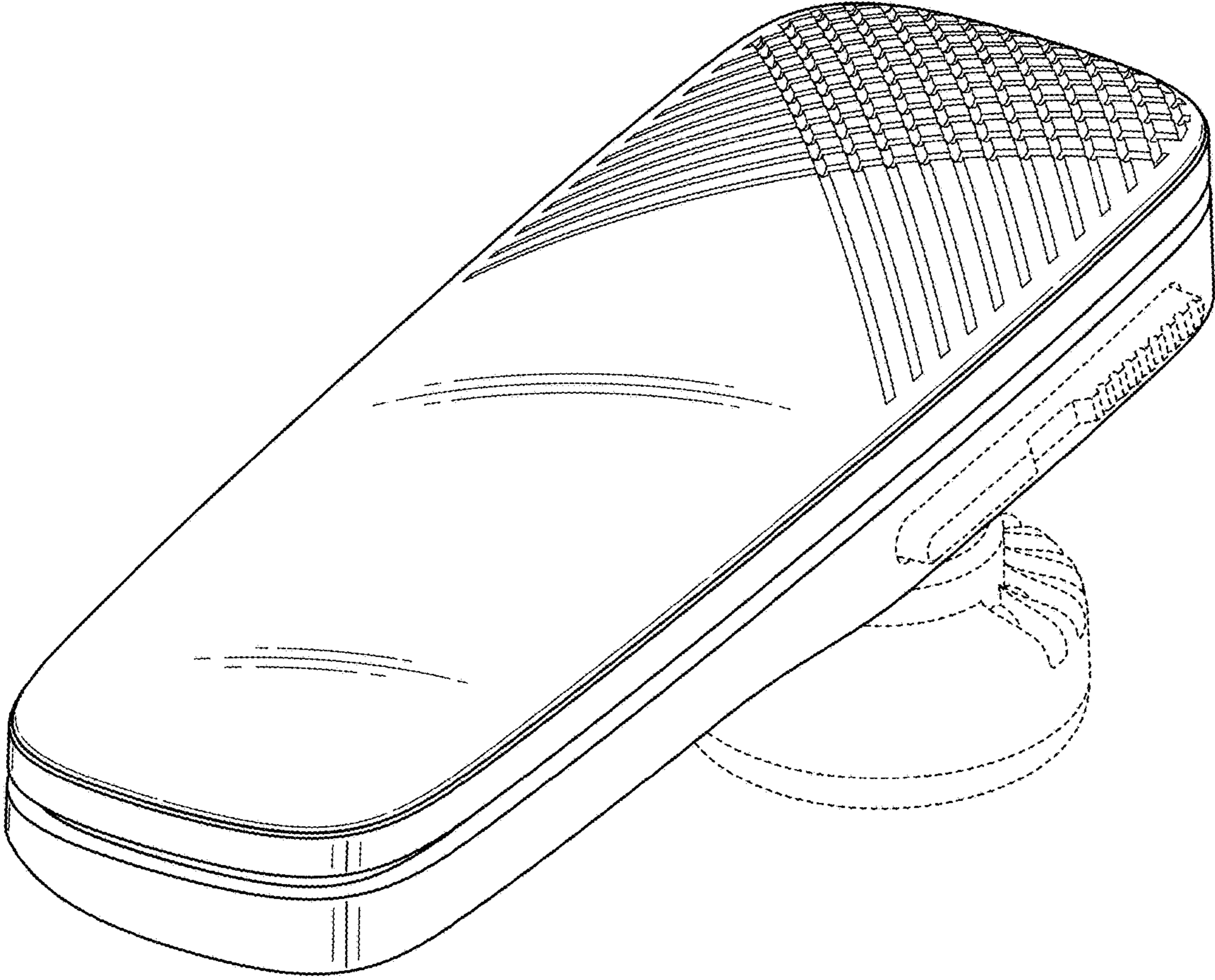


FIG. 1

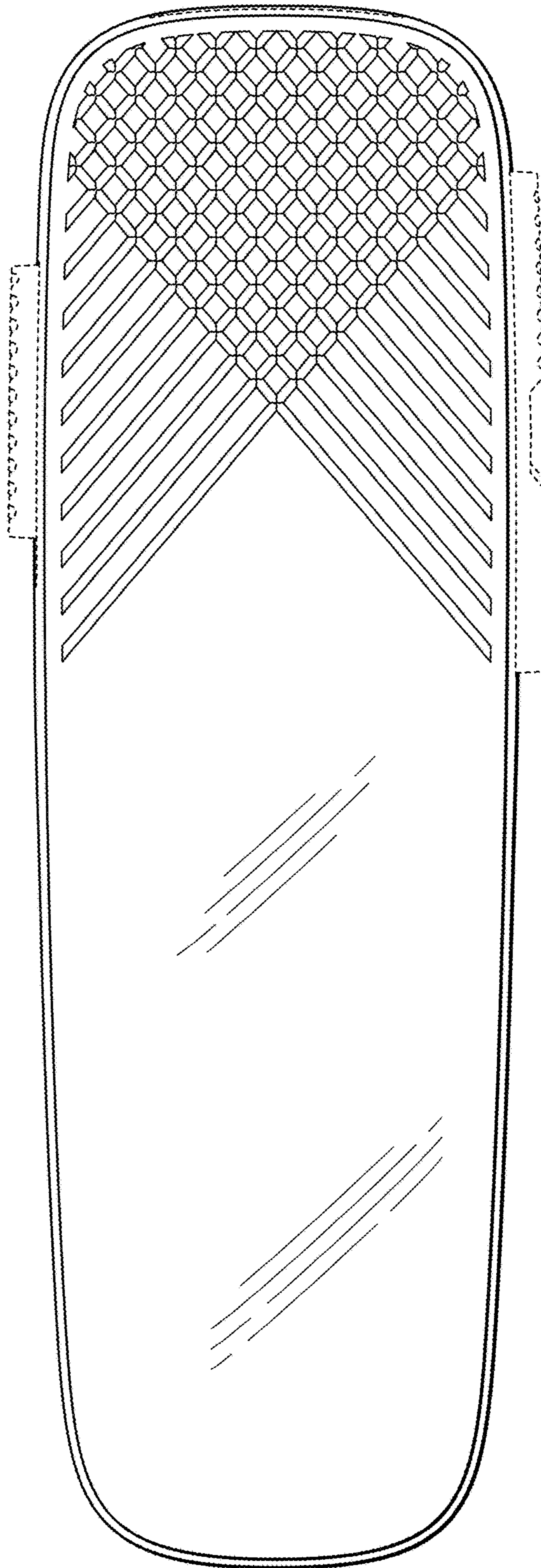


FIG. 2

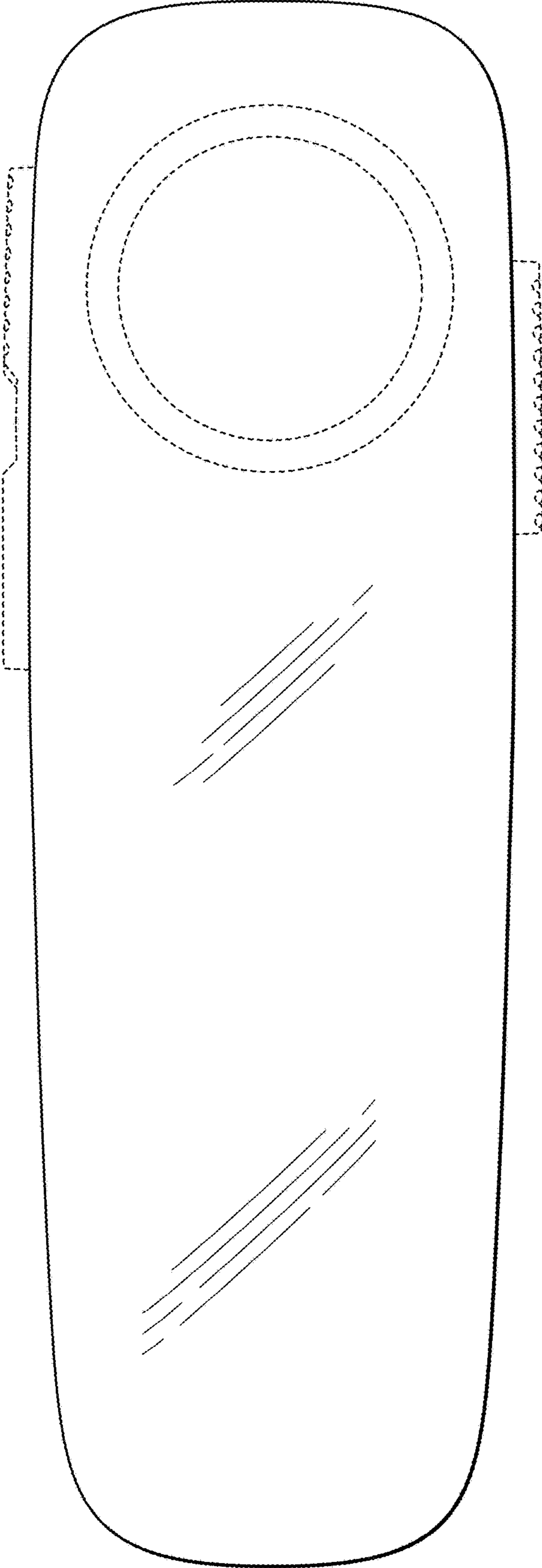


FIG. 3

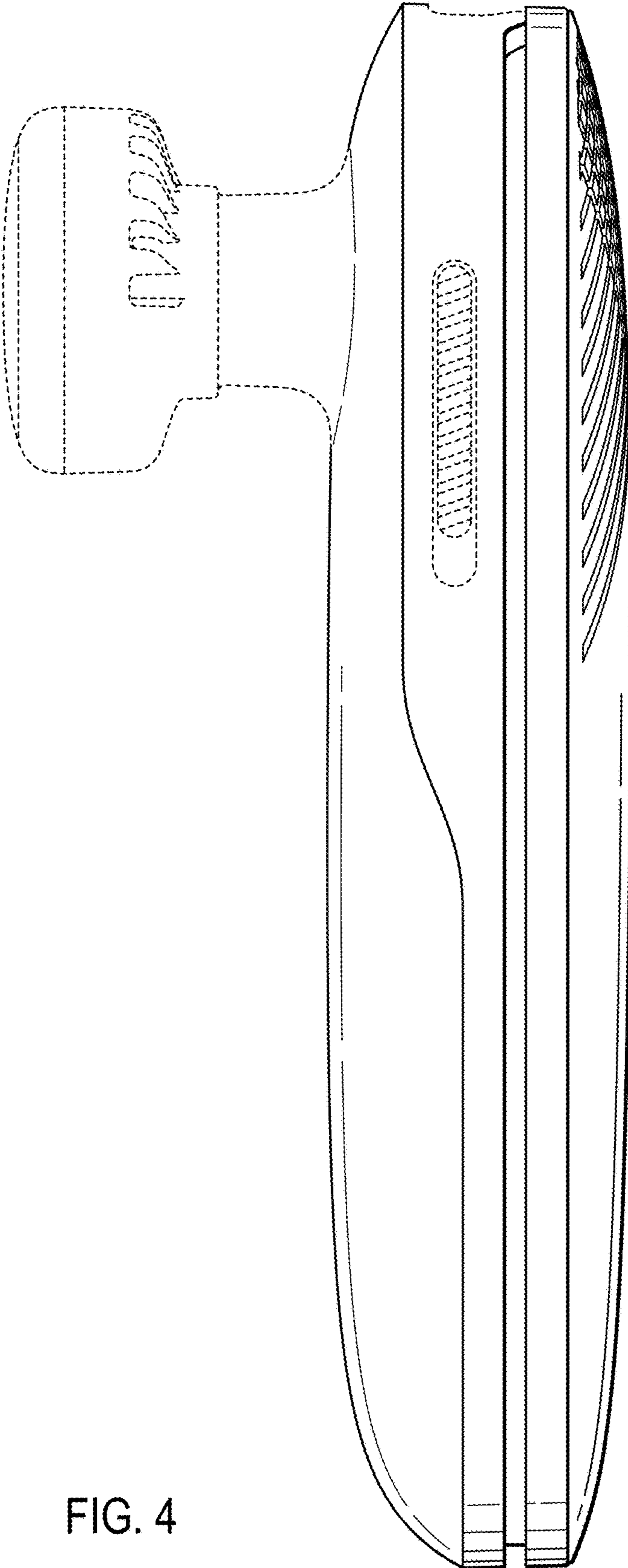


FIG. 4

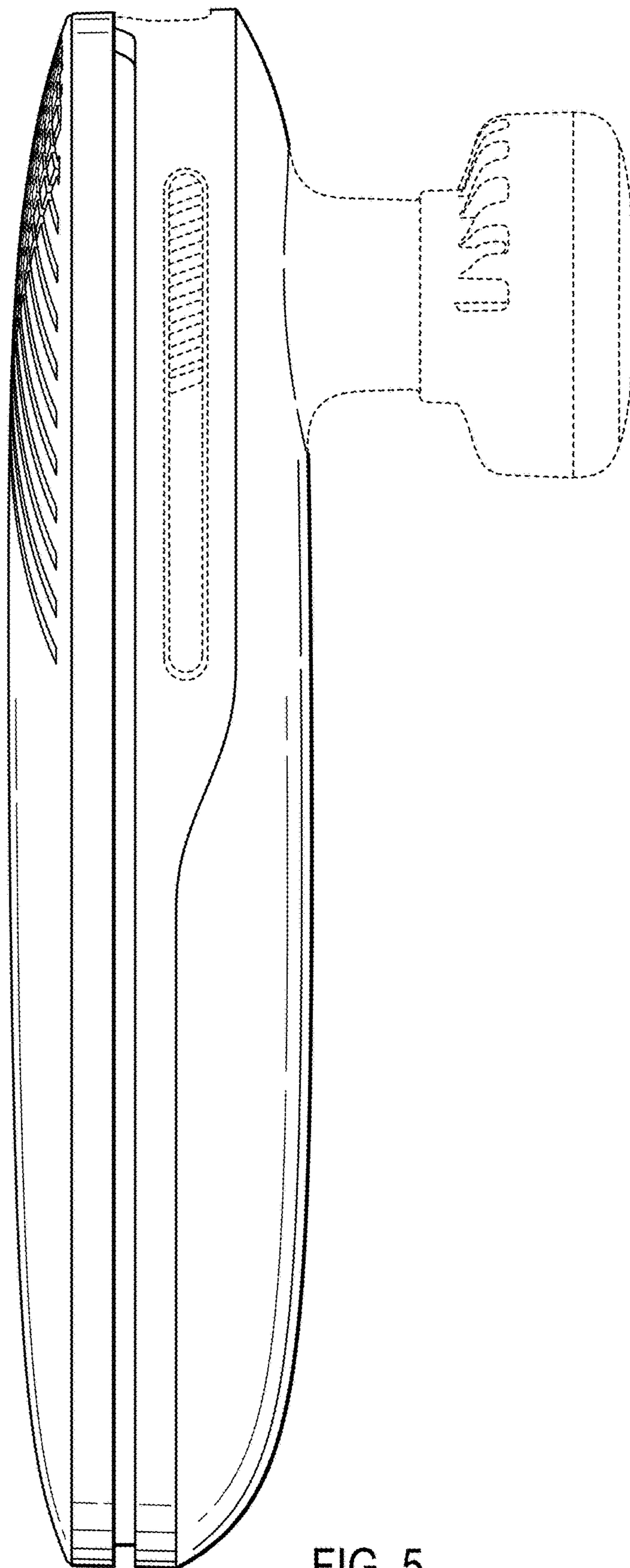


FIG. 5

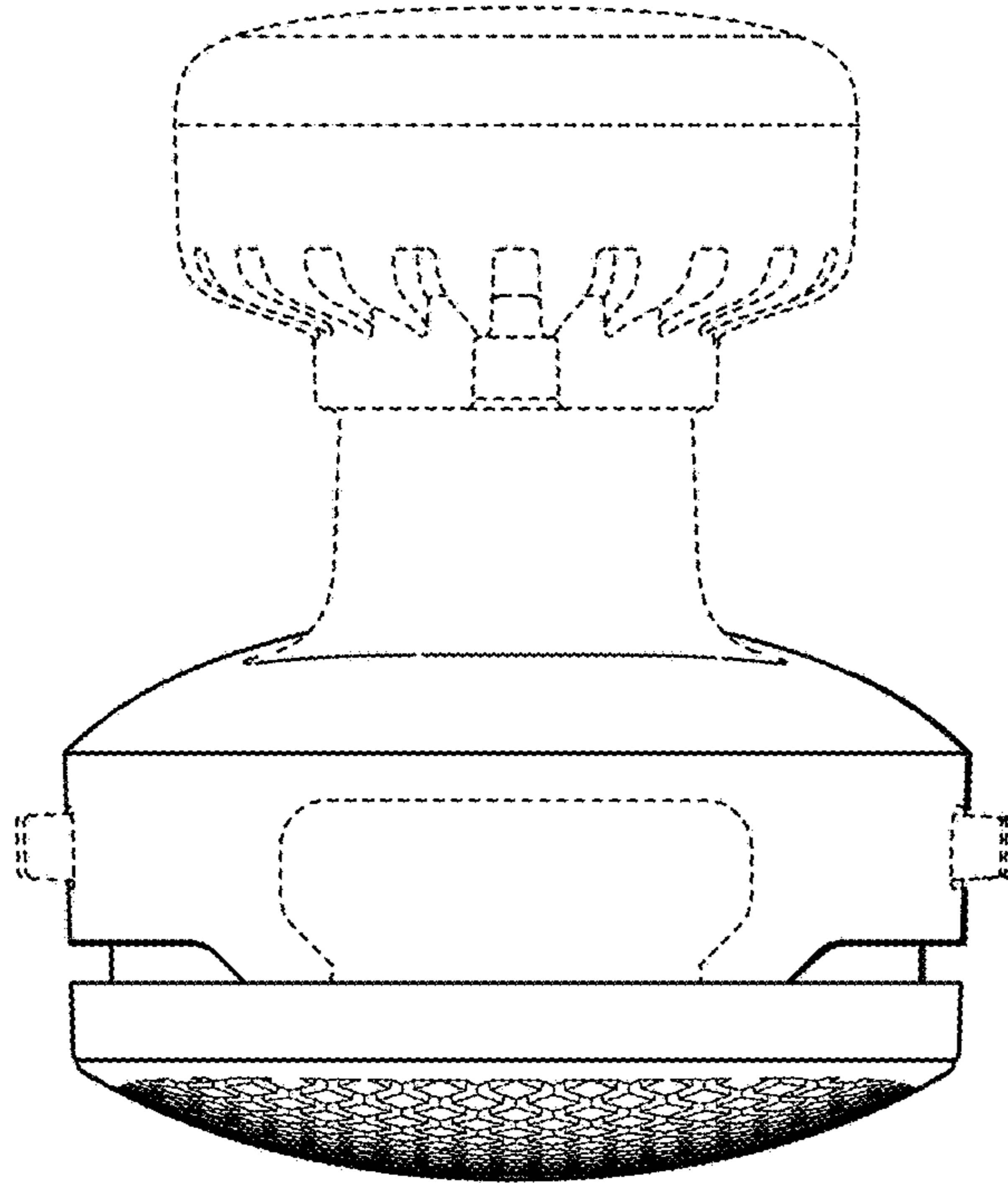


FIG. 6

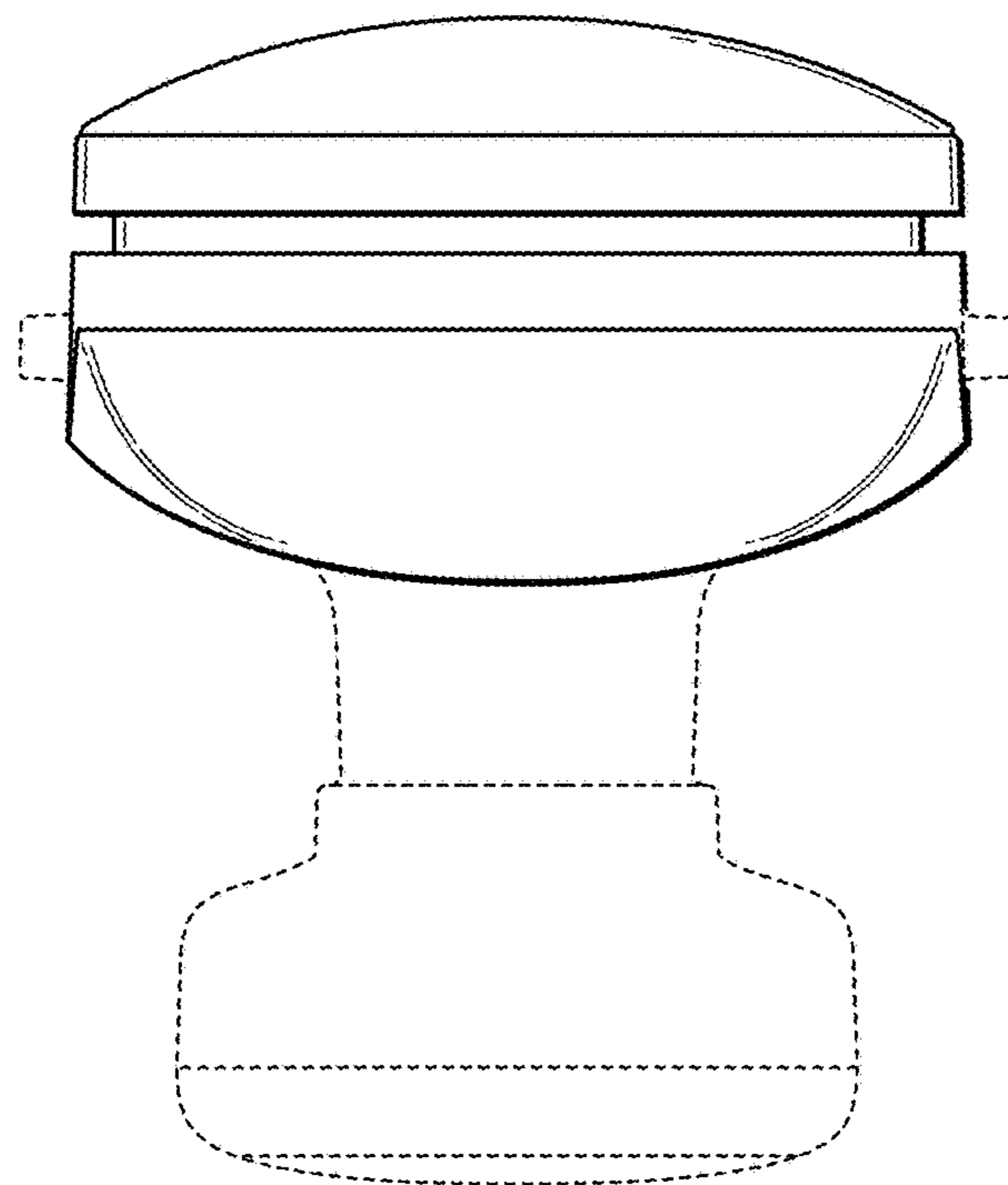


FIG. 7