



US00D792376S

(12) **United States Design Patent** (10) **Patent No.:** **US D792,376 S**
Morimoto et al. (45) **Date of Patent:** **** Jul. 18, 2017**

(54) **HEADPHONE**

(71) Applicant: **Sony Corporation**, Tokyo (JP)
 (72) Inventors: **So Morimoto**, Saitama (JP); **Shogo Yashiro**, Kanagawa (JP); **Yosuke Shimizu**, Kanagawa (JP); **Emmanuelle Choteau**, Surrey (GB); **Hiromi Inukai**, Tokyo (JP); **Daisuke Ishii**, Surrey (GB)
 (73) Assignee: **Sony Corporation**, Tokyo (JP)

(**) Term: **14 Years**

(21) Appl. No.: **29/485,624**

(22) Filed: **Mar. 20, 2014**

Related U.S. Application Data

(63) Continuation-in-part of application No. 29/446,102, filed on Feb. 20, 2013, now Pat. No. Des. 704,161, and a continuation of application No. 29/395,887, filed on Apr. 18, 2012, now Pat. No. Des. 704,674, and a continuation of application No. 29/395,889, filed on Apr. 18, 2012, now Pat. No. Des. 704,675.

(30) **Foreign Application Priority Data**

Oct. 19, 2011 (JP) 2011-023999
 Oct. 19, 2011 (JP) 2011-024000
 Aug. 23, 2012 (CN) 2012 3 0401461

(51) **LOC (10) Cl.** **14-01**

(52) **U.S. Cl.**
USPC **D14/205**

(58) **Field of Classification Search**
 USPC D14/205, 223; 181/129, 130, 135;
 379/430, 431; 381/380, 381; 455/90.3,
 455/575.1
 CPC H04R 1/1066; H04R 1/1016; H04R 5/033;
 H04R 5/0335; H04M 1/00
 See application file for complete search history.

(56) **References Cited**

U.S. PATENT DOCUMENTS

3,192,321 A 6/1965 Nassimbene
 4,133,984 A 1/1979 Akiyama
 D262,019 S * 11/1981 Upshaw D14/205
 4,668,842 A 5/1987 Yokoyama et al.
 D328,074 S 7/1992 Yamazaki et al.
 D337,115 S 7/1993 Yamazaki et al.
 D340,932 S * 11/1993 Yan D14/249
 D346,802 S 5/1994 Sacherman et al.

(Continued)

Primary Examiner — Paula Greene

(74) *Attorney, Agent, or Firm* — Michael Best & Friedrich LLP

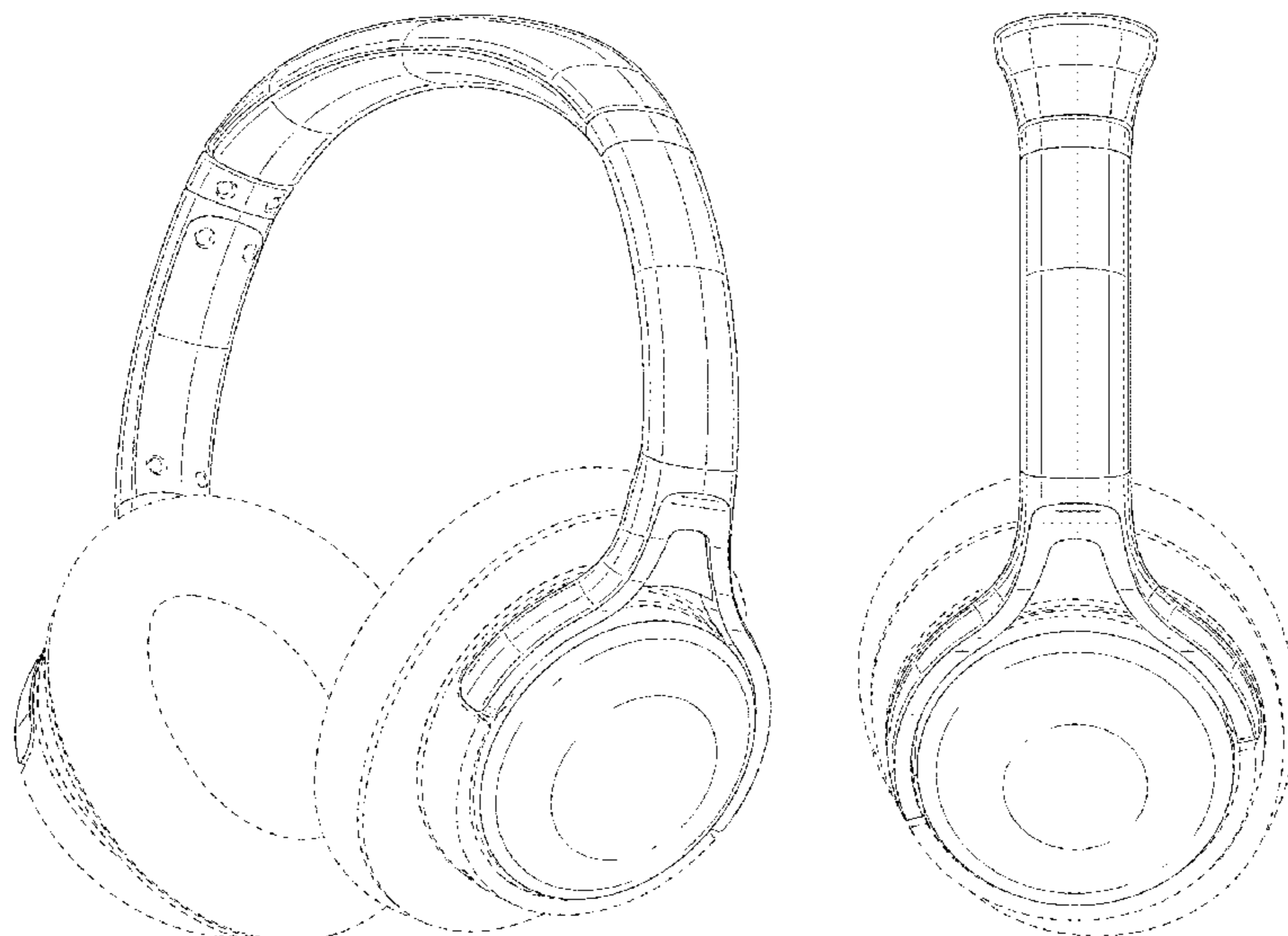
(57) **CLAIM**

The ornamental design for a headphone, as shown and described.

DESCRIPTION

FIG. 1 is a perspective view of a headphone showing our new design;
 FIG. 2 is a front elevational view thereof;
 FIG. 3 is a rear elevational view thereof;
 FIG. 4 is a left side elevational view thereof;
 FIG. 5 is a right side elevational view thereof;
 FIG. 6 is a top plan view thereof; and
 FIG. 7 is a bottom plan view thereof.
 FIG. 8 is a perspective view of a second embodiment of a headphone showing our new design;
 FIG. 9 is a front elevational view thereof;
 FIG. 10 is a rear elevational view thereof;
 FIG. 11 is a left side elevational view thereof;
 FIG. 12 is a right side elevational view thereof;
 FIG. 13 is a top plan view thereof; and,
 FIG. 14 is a bottom plan view thereof.
 Portions in broken lines are for illustrative purposes only and form no part of the claimed design.

1 Claim, 12 Drawing Sheets



(56)

References Cited

U.S. PATENT DOCUMENTS

D348,066 S 6/1994 Lucey
 D353,379 S * 12/1994 Nakamura et al. D14/223
 D353,817 S 12/1994 Wada
 D373,360 S 9/1996 Kanno
 D377,021 S 12/1996 Isono
 5,615,273 A 3/1997 Lucey et al.
 D409,621 S 5/1999 Andrea
 D410,466 S 6/1999 Mouri
 D432,522 S * 10/2000 Kieltyka et al. D14/216
 6,195,441 B1 * 2/2001 Ito 381/381
 6,252,970 B1 6/2001 Poon et al.
 6,434,250 B1 8/2002 Tsuhako
 D465,209 S 11/2002 Rath
 D476,645 S 7/2003 Padala et al.
 D477,821 S 7/2003 Bieltvedt et al.
 D481,709 S 11/2003 Solderits
 D482,348 S 11/2003 Villaverde et al.
 D503,705 S 4/2005 Boursiquot
 D508,484 S * 8/2005 Okada D14/223
 D517,045 S 3/2006 Komiyama
 D519,110 S 4/2006 Komiyama
 D519,497 S 4/2006 Komiyama
 D525,235 S 7/2006 Koizumi
 D554,109 S * 10/2007 Ledbetter et al. D14/223
 D584,715 S 1/2009 Brennwald
 D587,243 S 2/2009 Suzuki
 D598,901 S 8/2009 Lee et al.
 D600,674 S * 9/2009 Brennwald D14/205
 D603,370 S 11/2009 Suzuki

D625,704 S * 10/2010 Cheng D14/205
 D642,554 S 8/2011 Schaal et al.
 D656,125 S 3/2012 Komiyama et al.
 D661,685 S 6/2012 Lee et al.
 8,233,945 B2 7/2012 Zhang et al.
 D666,990 S 9/2012 Komiyama et al.
 D669,450 S 10/2012 Katsumata
 D674,372 S 1/2013 Kelly et al.
 D674,767 S 1/2013 Brunner et al.
 D677,243 S 3/2013 Kitayama et al.
 D683,717 S 6/2013 Kelly et al.
 D686,190 S 7/2013 Karacal et al.
 D704,161 S * 5/2014 Morimoto et al. D14/205
 D704,674 S * 5/2014 Shimizu D14/205
 D704,675 S * 5/2014 Choteau D14/205
 D706,240 S * 6/2014 Szymanski H04R 1/1066
 D14/205
 D706,241 S * 6/2014 Szymanski H04R 1/1066
 D14/205
 D707,653 S * 6/2014 Hardi H04R 1/10
 D14/205
 D713,384 S * 9/2014 McNamara D14/223
 D722,591 S * 2/2015 Son D14/205
 D734,297 S * 7/2015 Sasaki D14/205
 D741,290 S * 10/2015 Schaal D14/205
 D767,531 S * 9/2016 Szymanski D14/205
 D768,110 S * 10/2016 Suzuki D14/205
 D771,012 S * 11/2016 Wagner D14/205
 2014/0254854 A1 * 9/2014 Blonder H04R 1/1066
 381/371

* cited by examiner

FIG.1



FIG.2



FIG.3



FIG.4

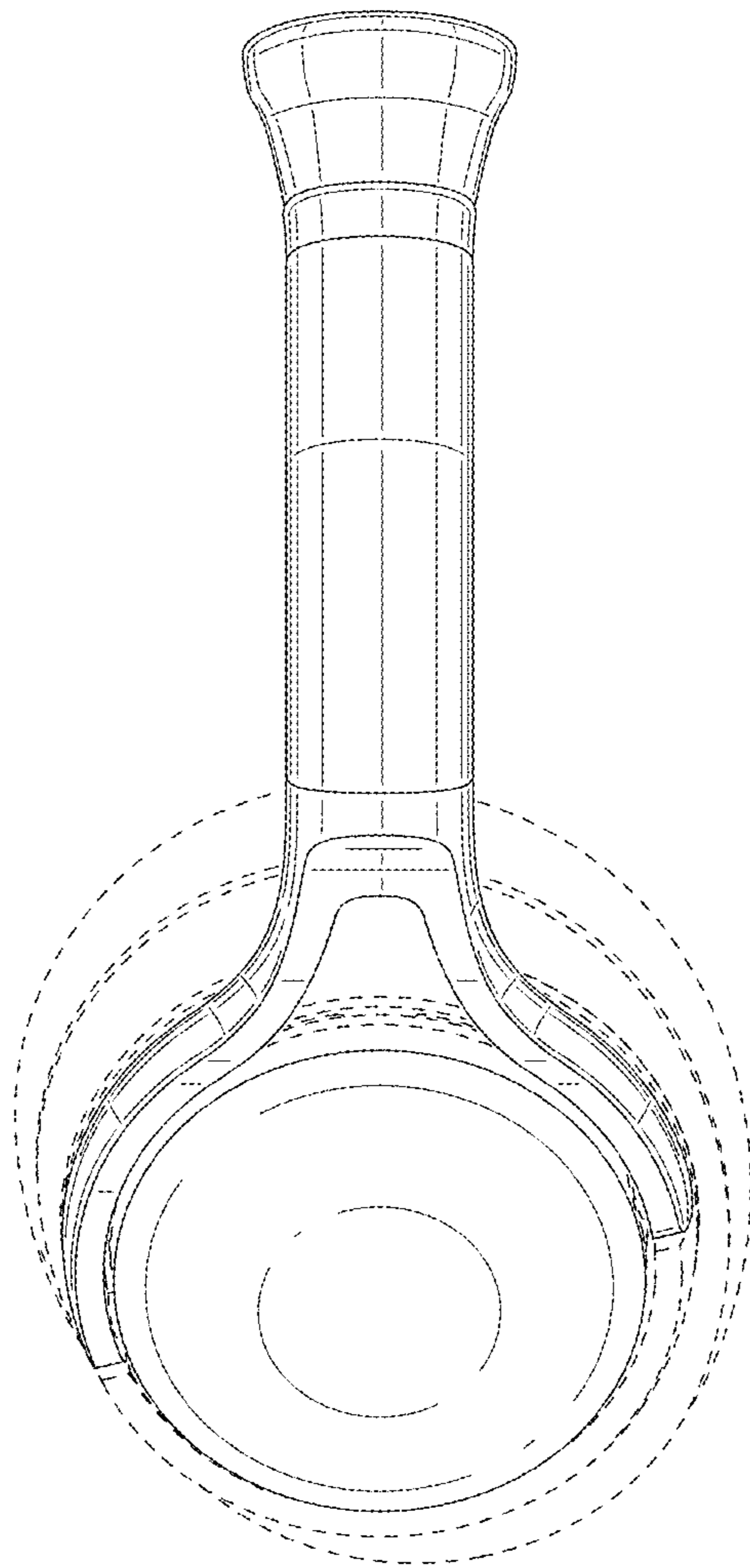


FIG.5

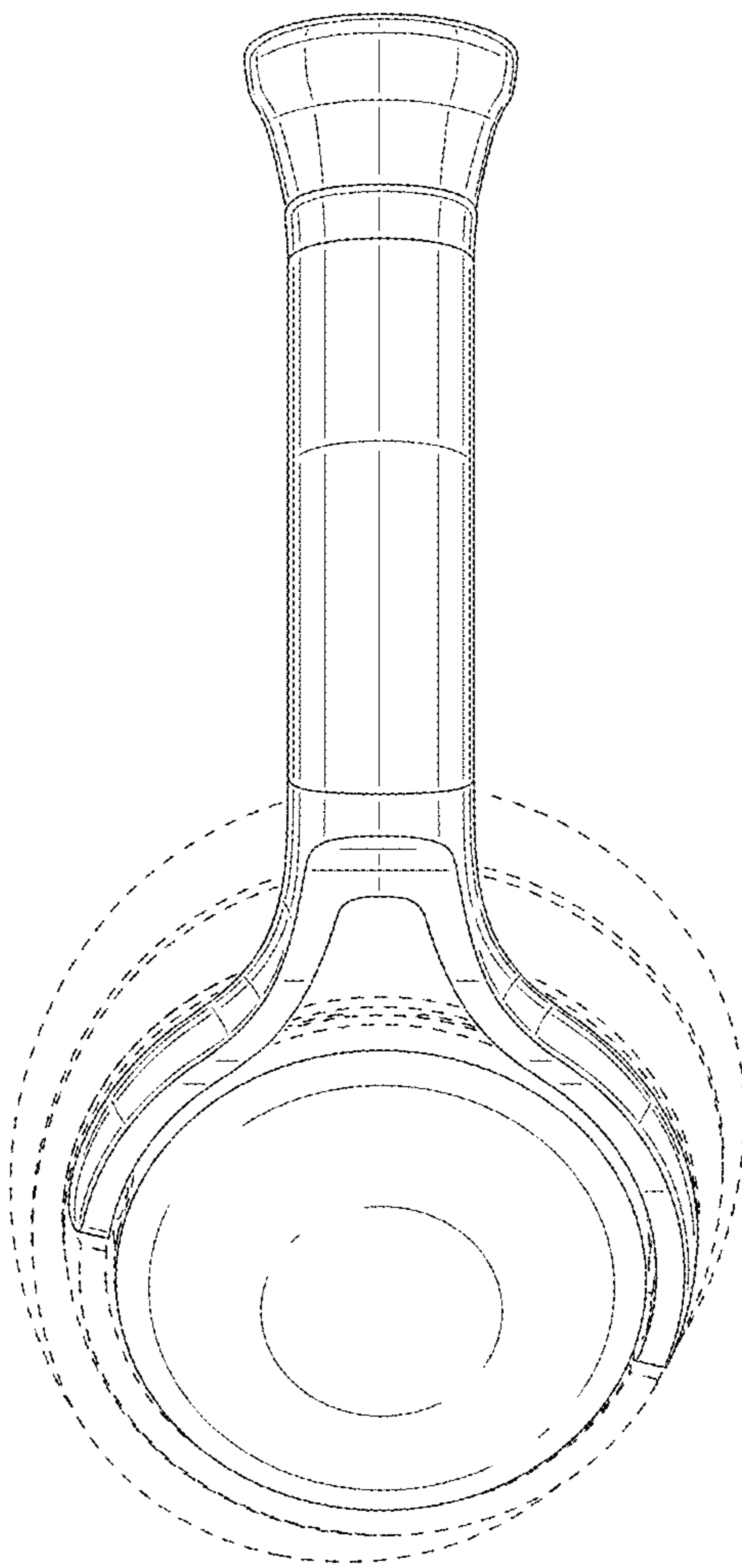


FIG.6

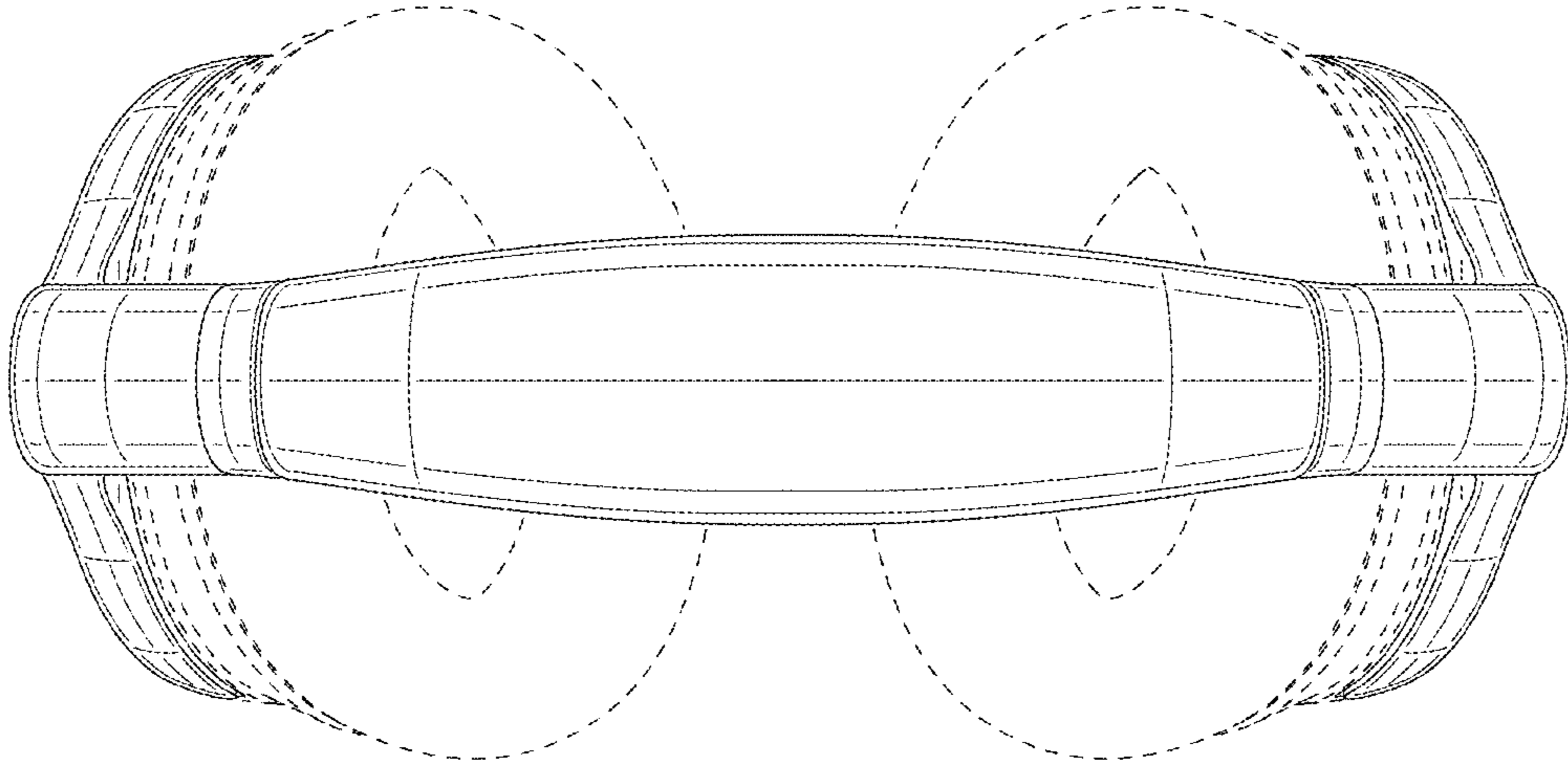


FIG.7

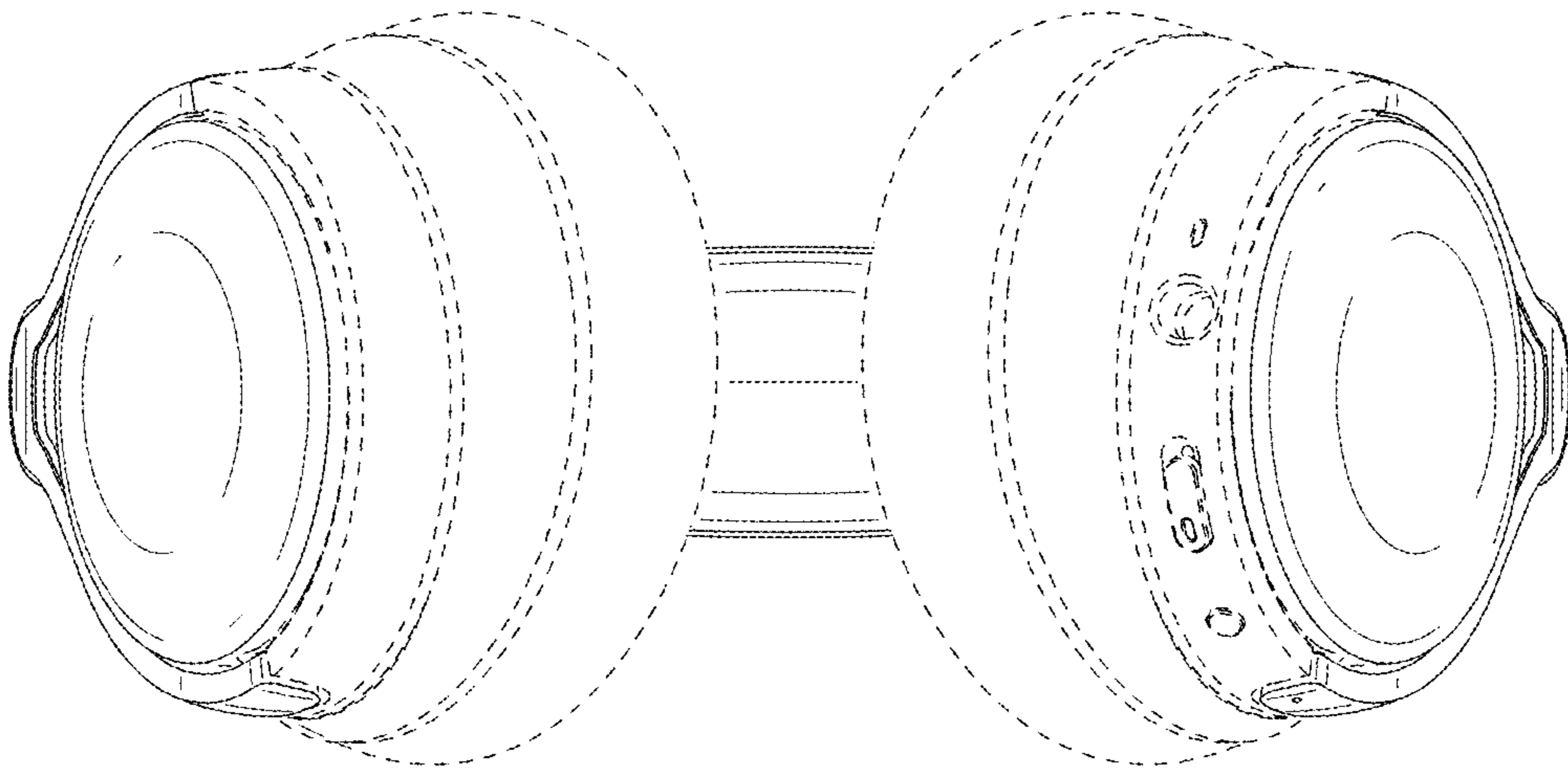


FIG.8

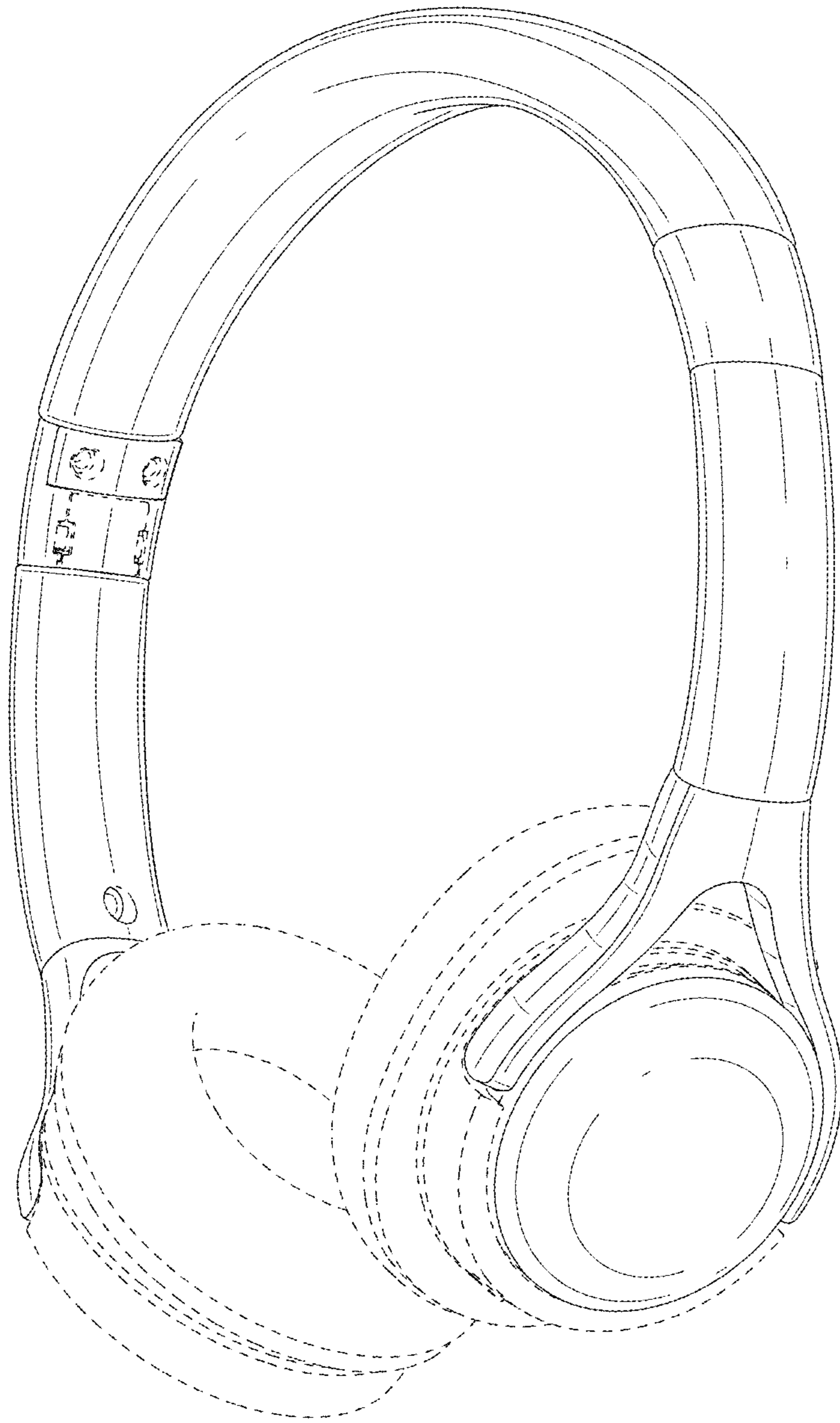


FIG.9



FIG.10



FIG.11

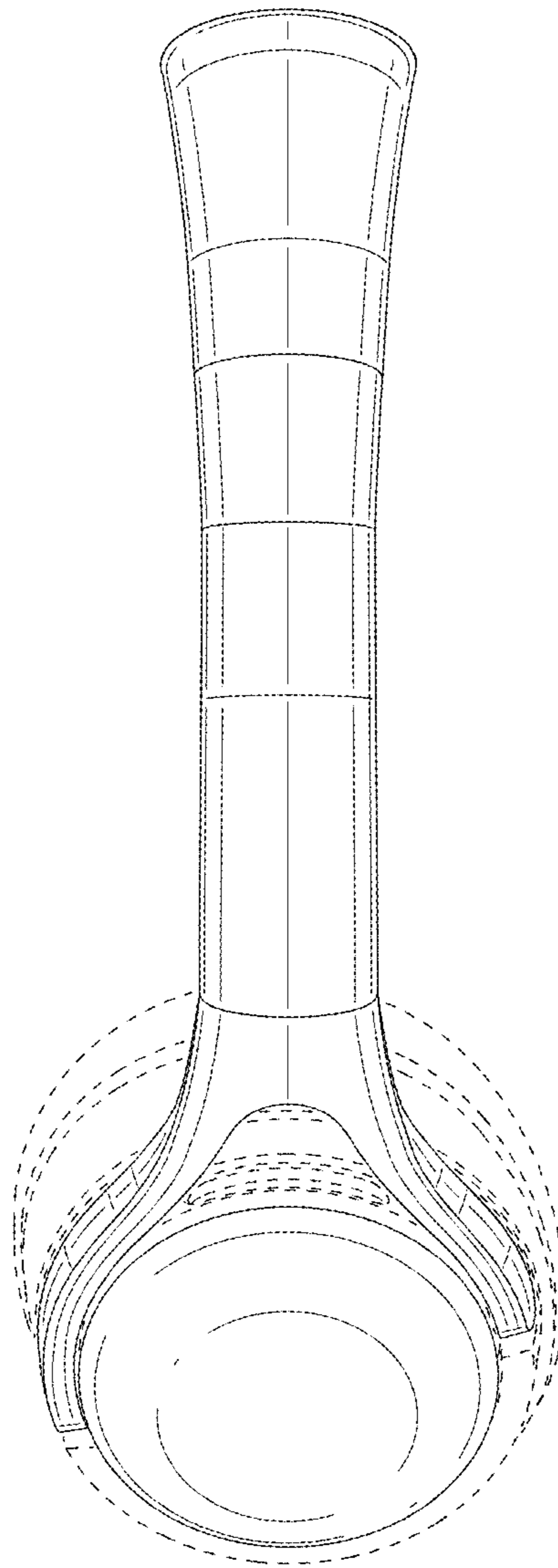


FIG.12

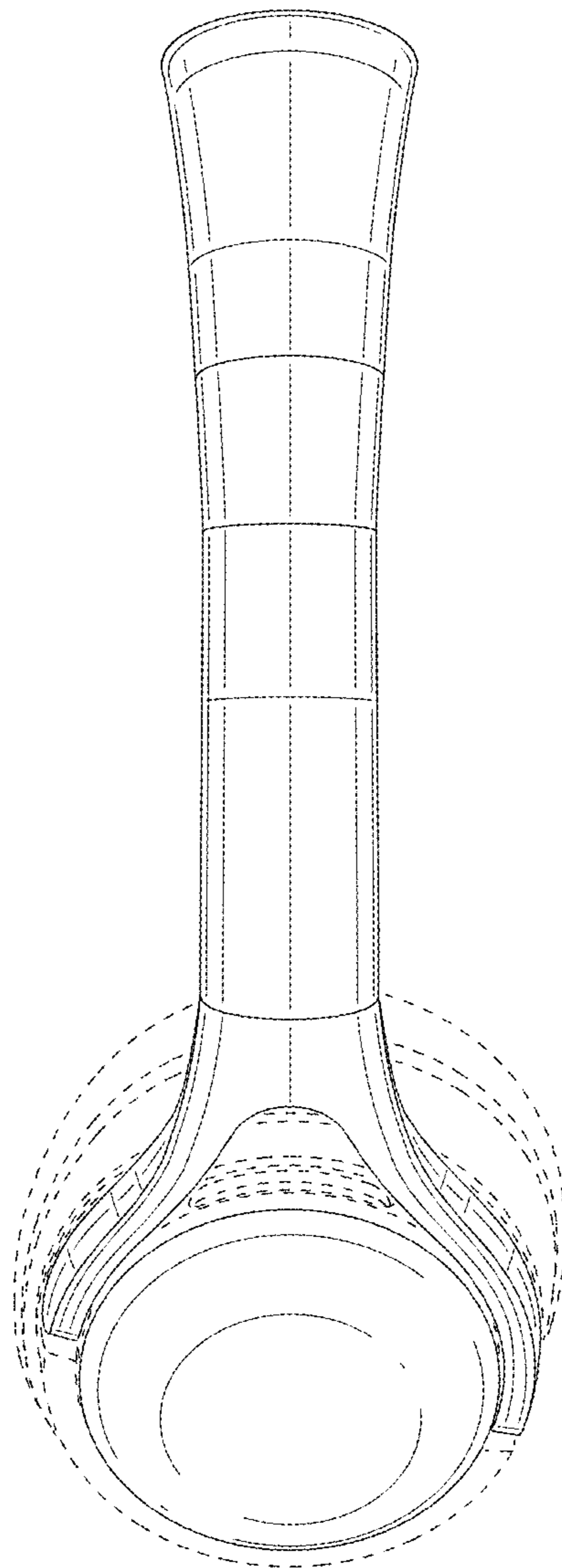


FIG.13

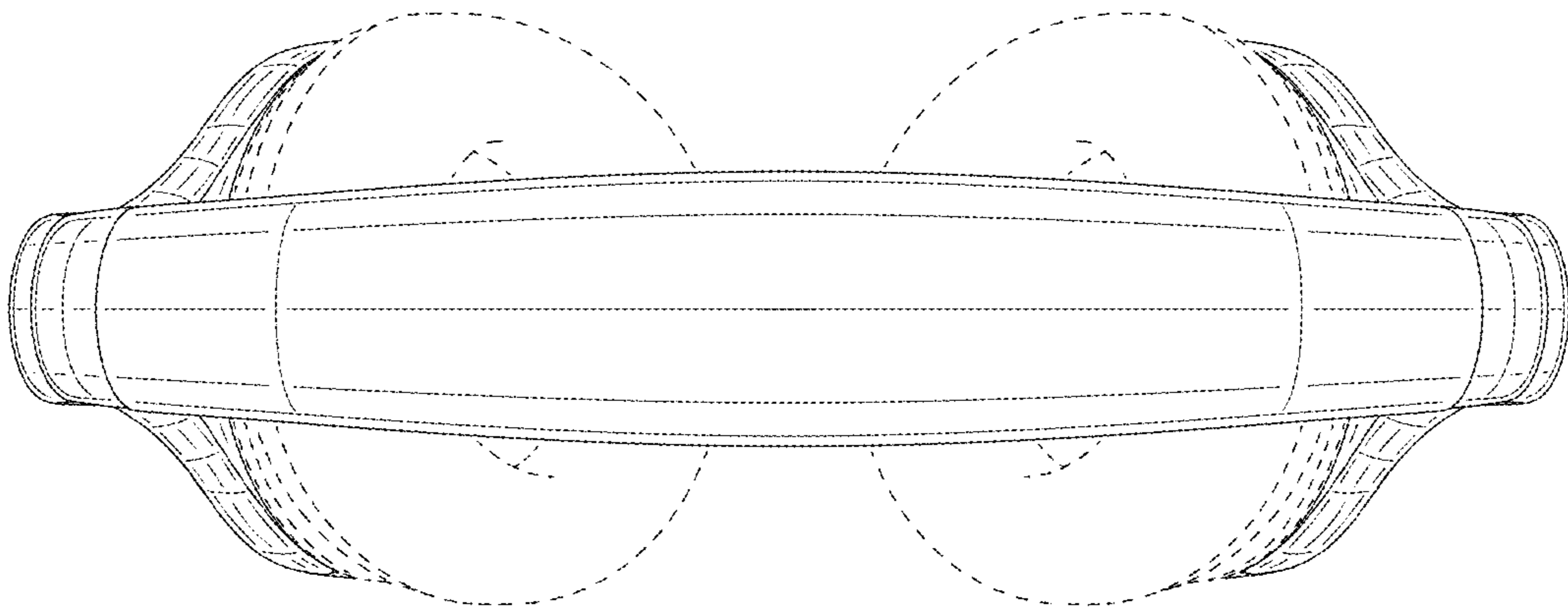


FIG.14

