



US00D792374S

(12) **United States Design Patent**
Kim et al.

(10) **Patent No.:** **US D792,374 S**
(45) **Date of Patent:** **** Jul. 18, 2017**

(54) **BLUETOOTH SPEAKER**
(71) Applicant: **LG ELECTRONICS INC.**, Seoul
(KR)

D504,882 S * 5/2005 Bhavnani D14/168
D521,927 S * 5/2006 Franck D13/108
D577,356 S * 9/2008 Moon D14/168
(Continued)

(72) Inventors: **Sungwoo Kim**, Seoul (KR);
Seunghyun Ji, Seoul (KR); **Hanwool Choi**, Seoul (KR)

FOREIGN PATENT DOCUMENTS

CN 202565436 U * 11/2012 H04R 1/02

(73) Assignee: **LG ELECTRONICS INC.**, Seoul
(KR)

Primary Examiner — Ian Simmons
Assistant Examiner — Janice Lim

(**) Term: **15 Years**

(74) *Attorney, Agent, or Firm* — Birch, Stewart, Kolasch
& Birch, LLP

(21) Appl. No.: **29/535,602**

(57) **CLAIM**

(22) Filed: **Aug. 7, 2015**

The ornamental design for a bluetooth speaker, as shown and described.

(30) **Foreign Application Priority Data**

DESCRIPTION

Feb. 9, 2015 (KR) 30-2015-0006903

(51) **LOC (10) Cl.** **14-01**

(52) **U.S. Cl.**
USPC **D14/204**

(58) **Field of Classification Search**
USPC D14/167, 168, 170–172, 188,
D14/203.1–203.8, 204, 209.1, 210–213,
D14/215, 216, 498–510; 181/143, 144,
181/148, 153, 157, 198, 199; 369/6–12;
381/300–303, 361–364, 366, 386–388
CPC G06F 1/1688; G10K 9/22; H04N 5/64;
H04R 1/02; H04R 1/021; H04R 1/025;
H04R 1/026; H04R 1/028; H04R 1/403;
H04R 1/2803; H04R 1/2834; H04R 5/02;
H04R 9/06; H04R 19/013; H04R
2201/021; H04R 2400/00; H04R 2499/11;
H05K 5/00; H05K 5/0086
See application file for complete search history.

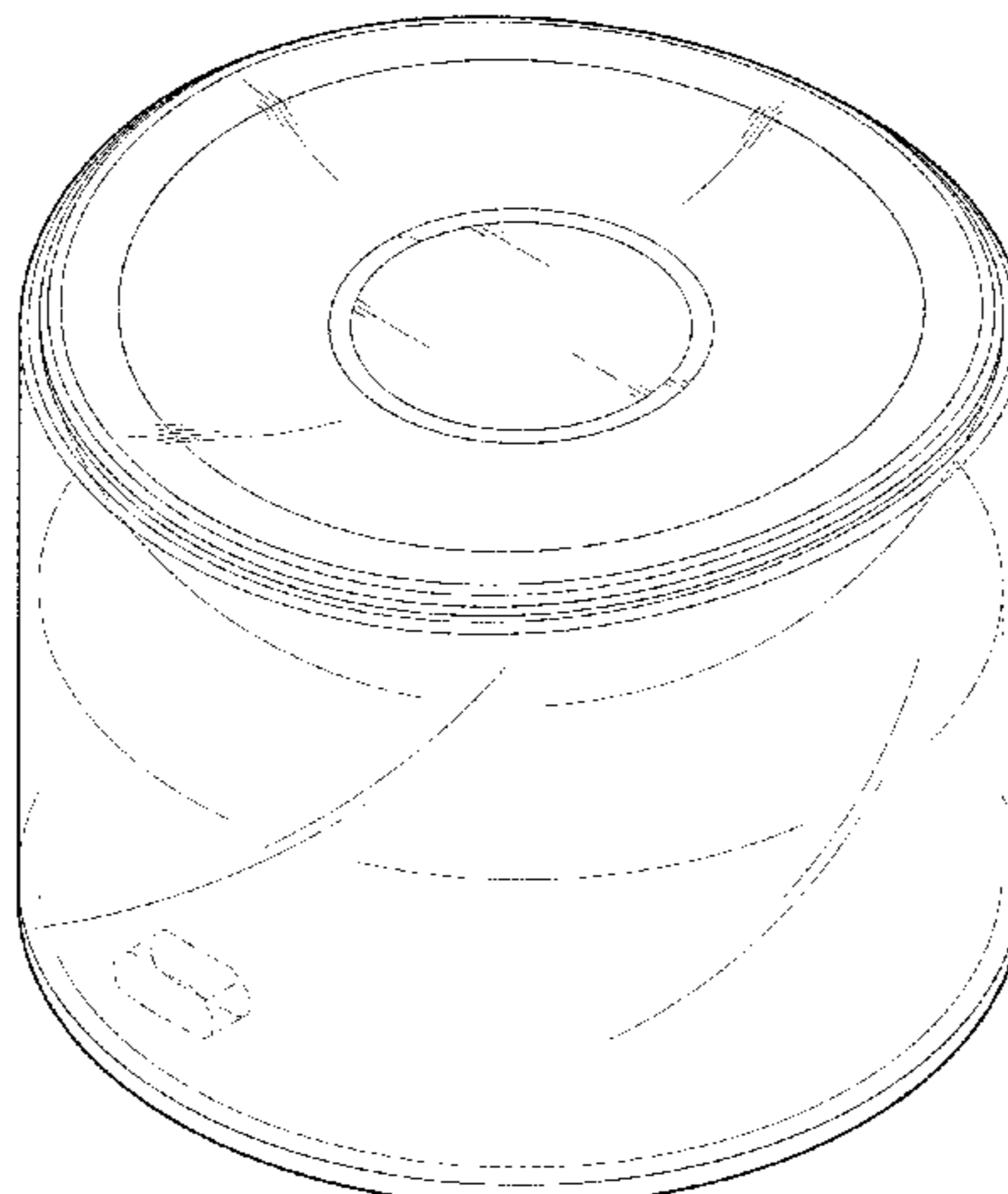
FIG. 1 is a perspective view of a bluetooth speaker showing our new design;
FIG. 2 is a front view thereof;
FIG. 3 is a rear view thereof;
FIG. 4 is a left side view thereof, and the right side view being a mirror image thereof;
FIG. 5 is a top plan view thereof;
FIG. 6 is a bottom plan view thereof;
FIG. 7 is a perspective view thereof, shown in lifted condition;
FIG. 8 is a front view thereof, shown in lifted condition;
FIG. 9 is a rear view thereof, shown in lifted condition;
FIG. 10 is a left side view thereof, shown in lifted condition; and,
FIG. 11 is a perspective view thereof, shown in environmental use, and shown in lifted condition.
The broken lines depict portions of the bluetooth speaker that form no part of the claimed design.
The broken line portions of FIG. 11 show unclaimed environmental subject matter only and form no part of the claimed design.

(56) **References Cited**

U.S. PATENT DOCUMENTS

D438,195 S * 2/2001 Chao D14/222
D496,038 S * 9/2004 Floyd D14/356

1 Claim, 11 Drawing Sheets



(56)

References Cited

U.S. PATENT DOCUMENTS

D585,898 S *	2/2009	Skurdal	D14/434
D602,911 S *	10/2009	Wang	D14/216
D617,314 S *	6/2010	Zha	D14/216
D652,023 S *	1/2012	Chen	D14/216
D671,528 S *	11/2012	Fathollahi	D14/211
D692,898 S *	11/2013	Luijben	D14/447

* cited by examiner

FIG. 1

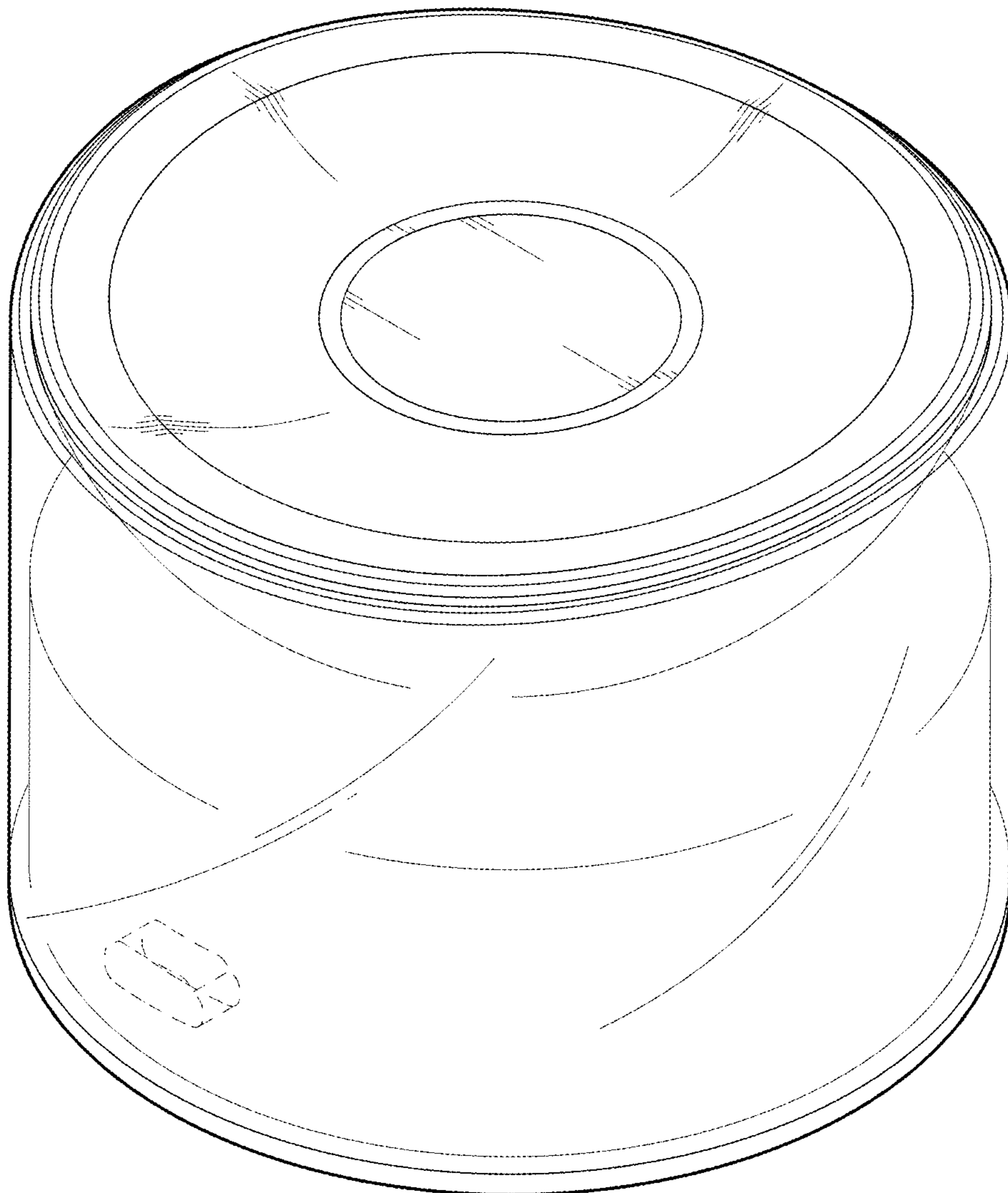


FIG. 2

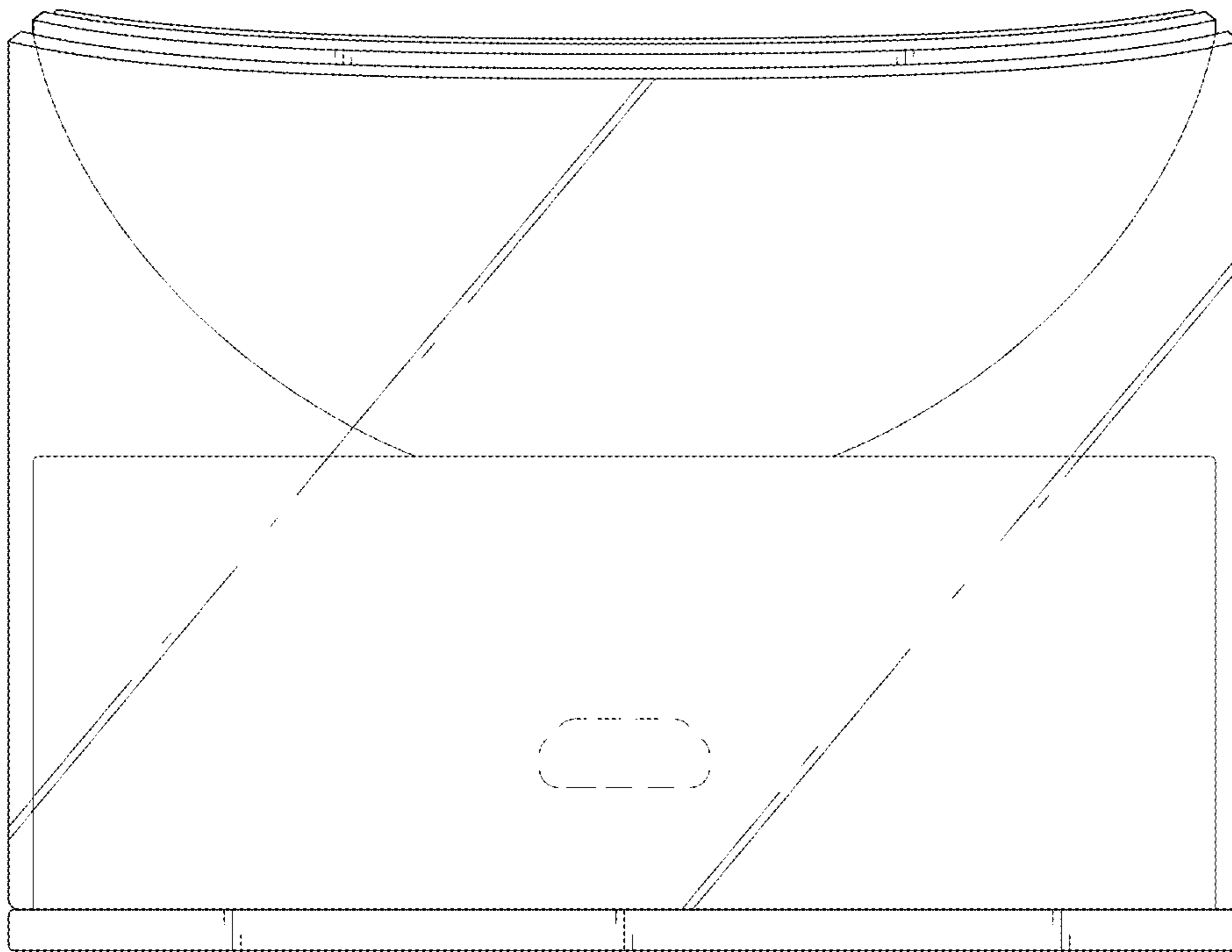


FIG. 3

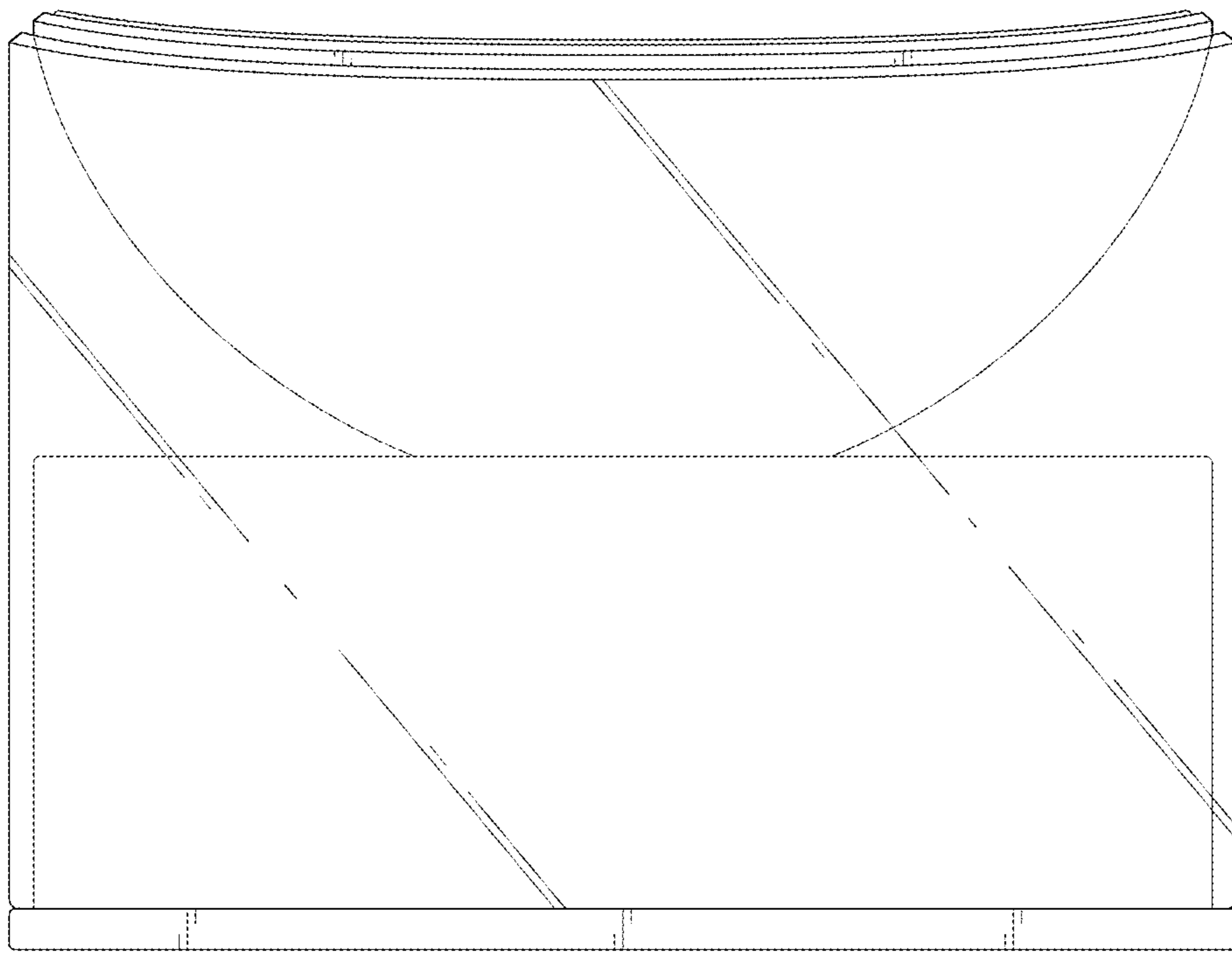


FIG. 4

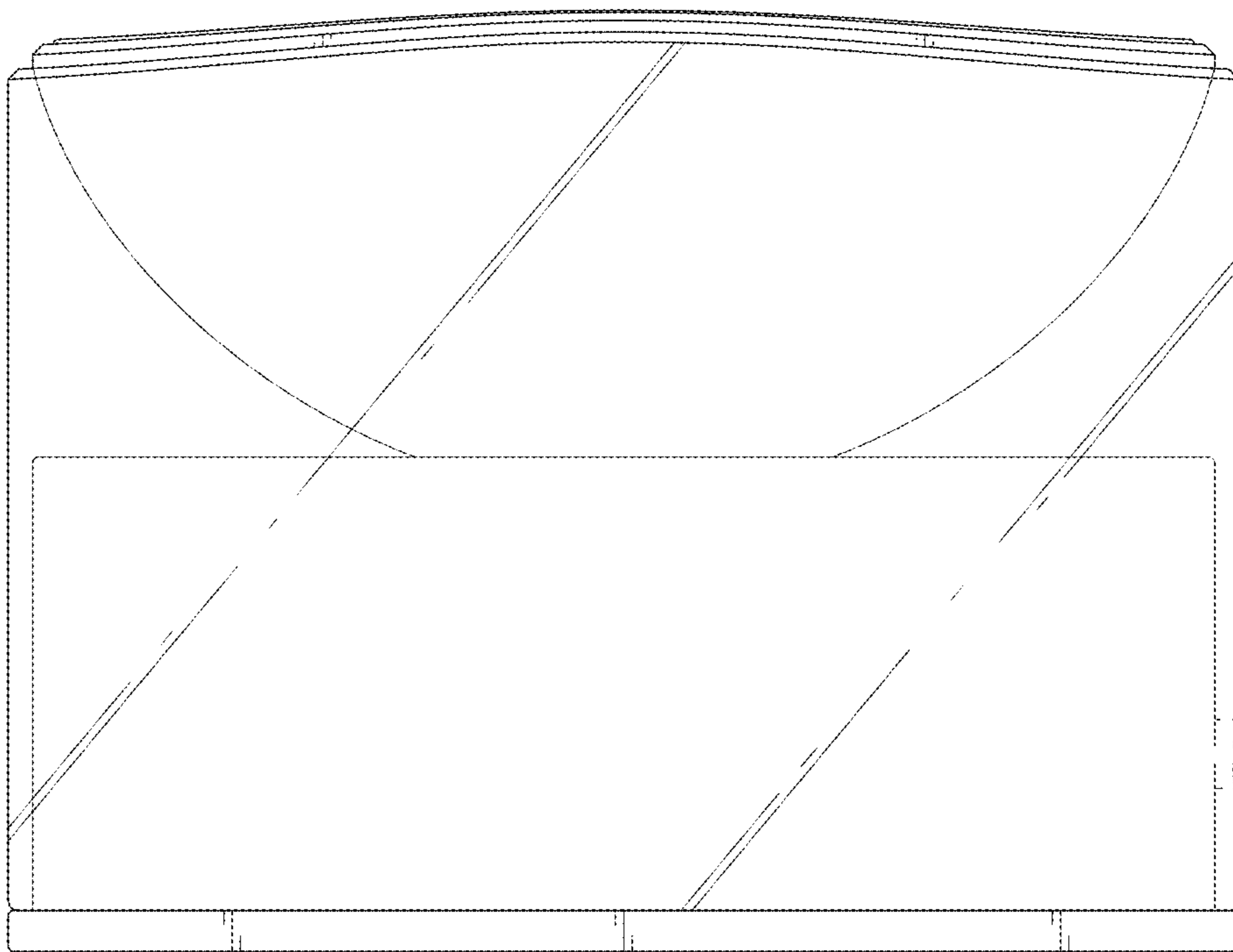


FIG. 5

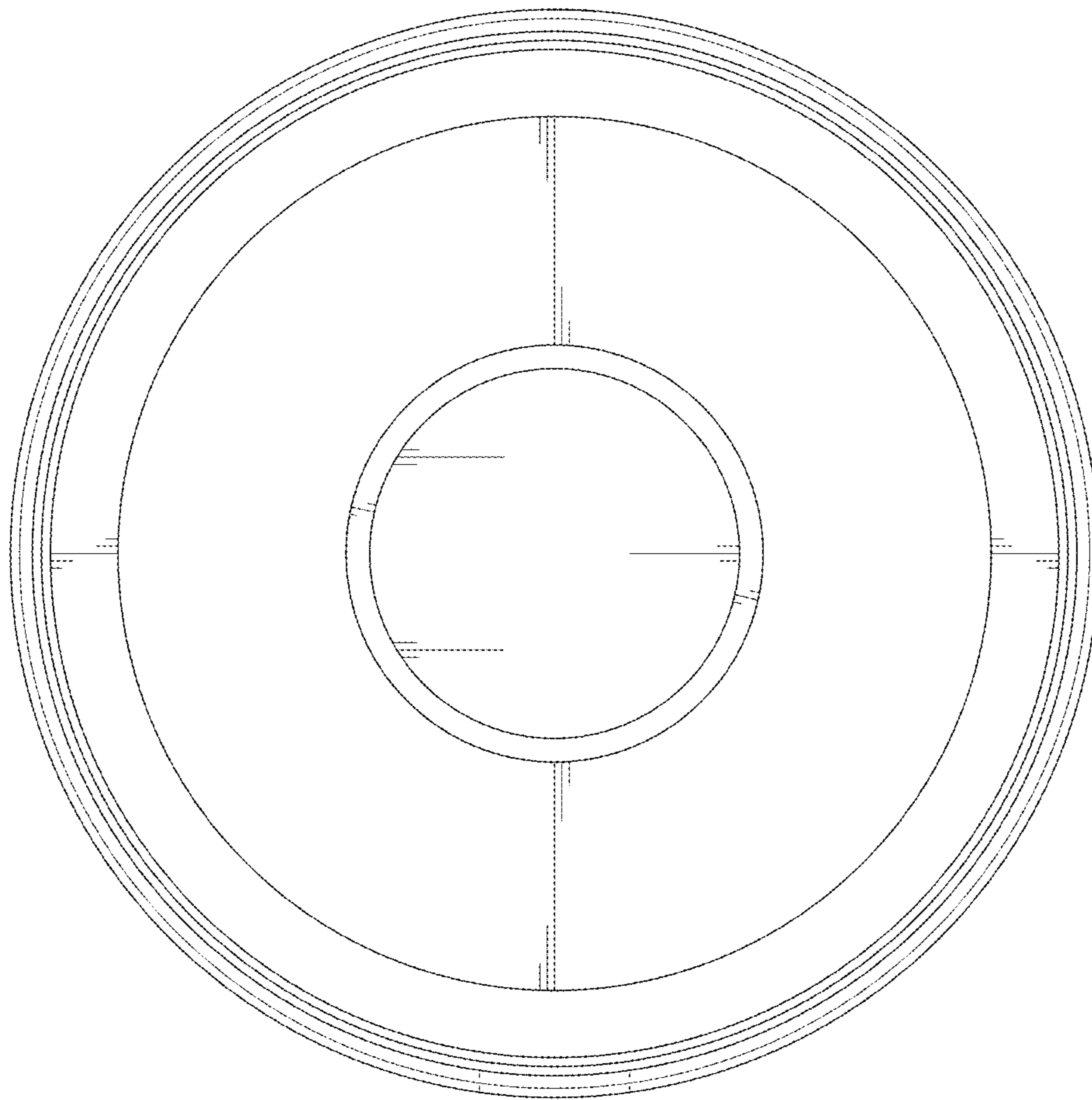


FIG. 6

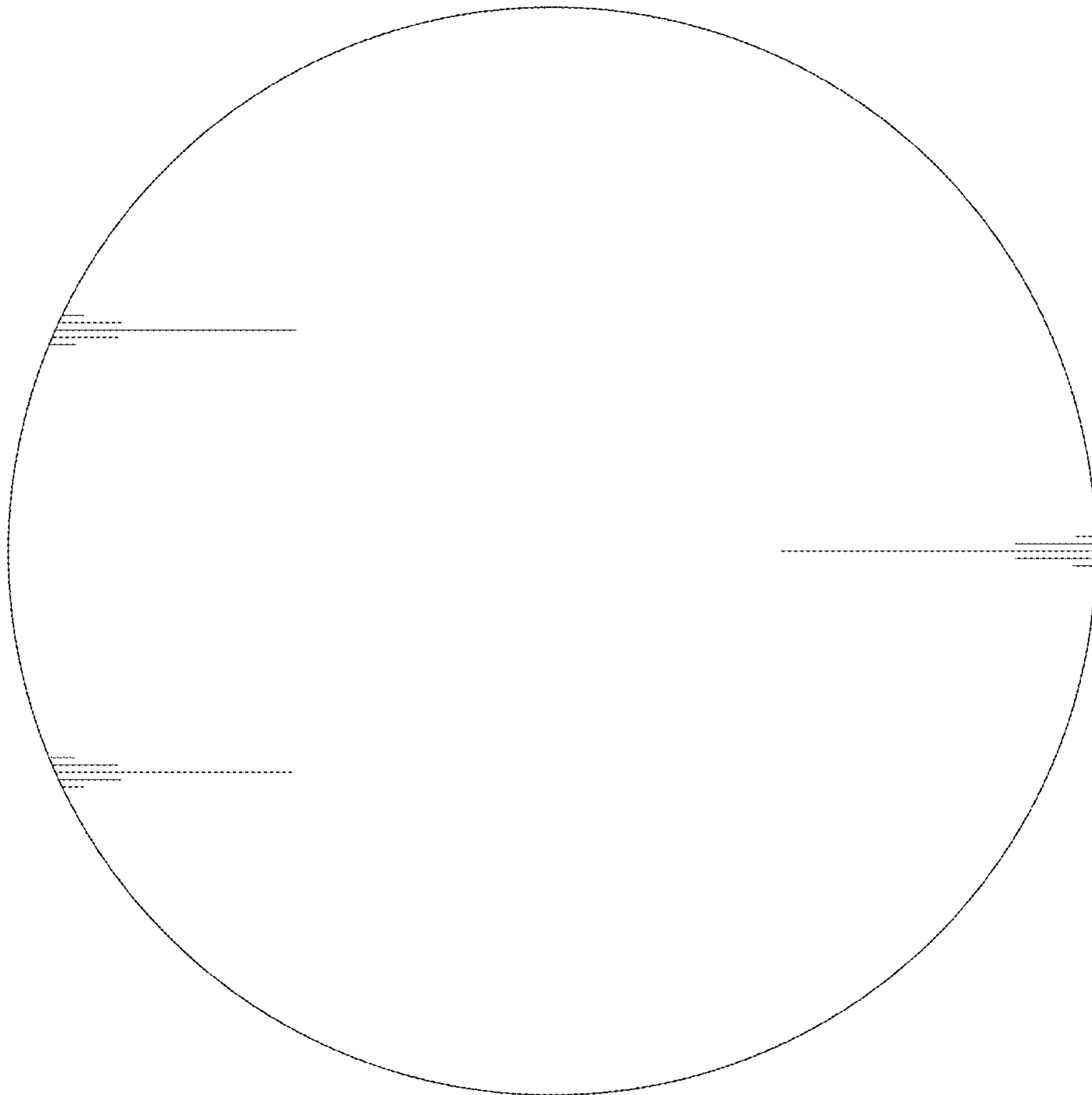


FIG. 7

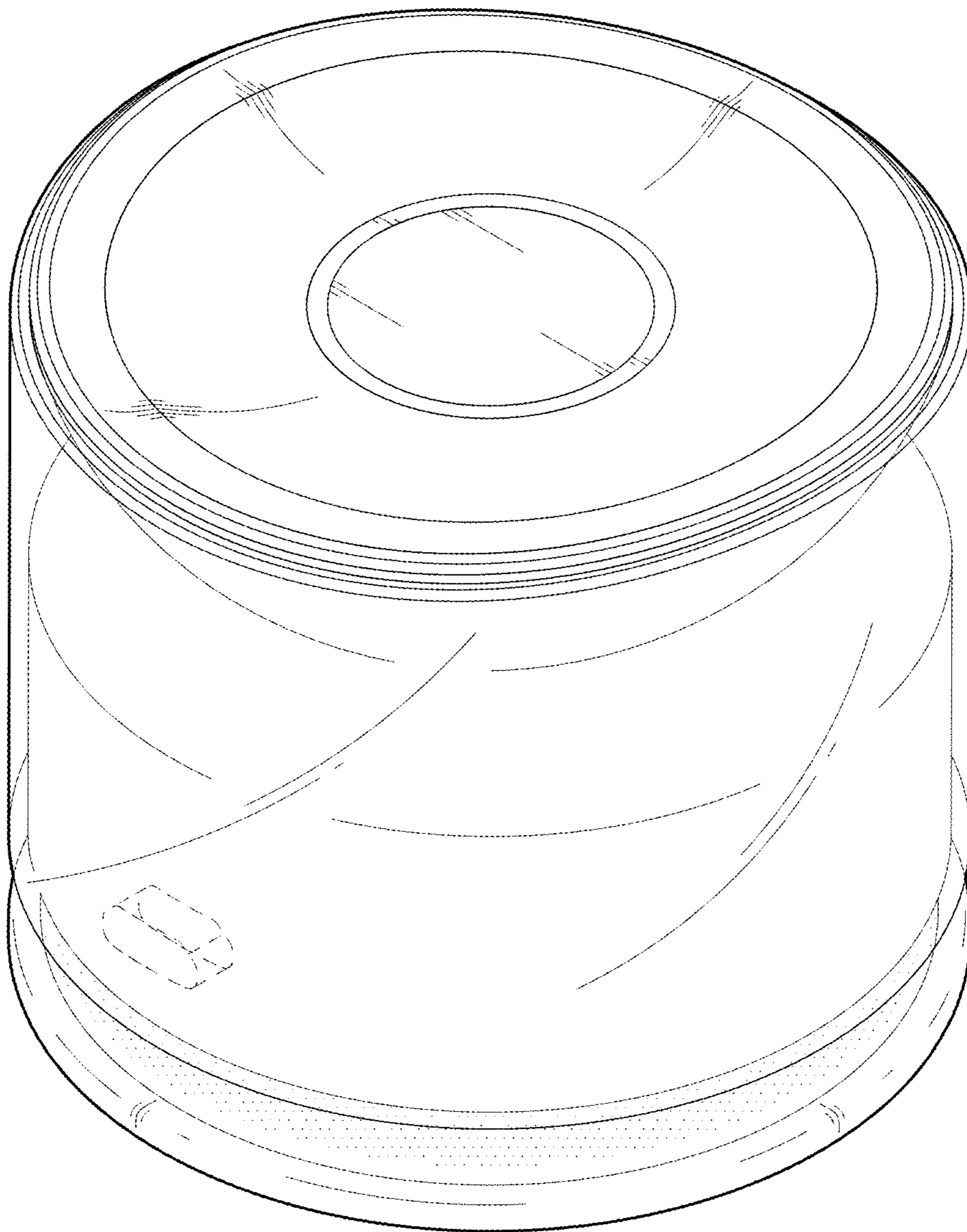


FIG. 8

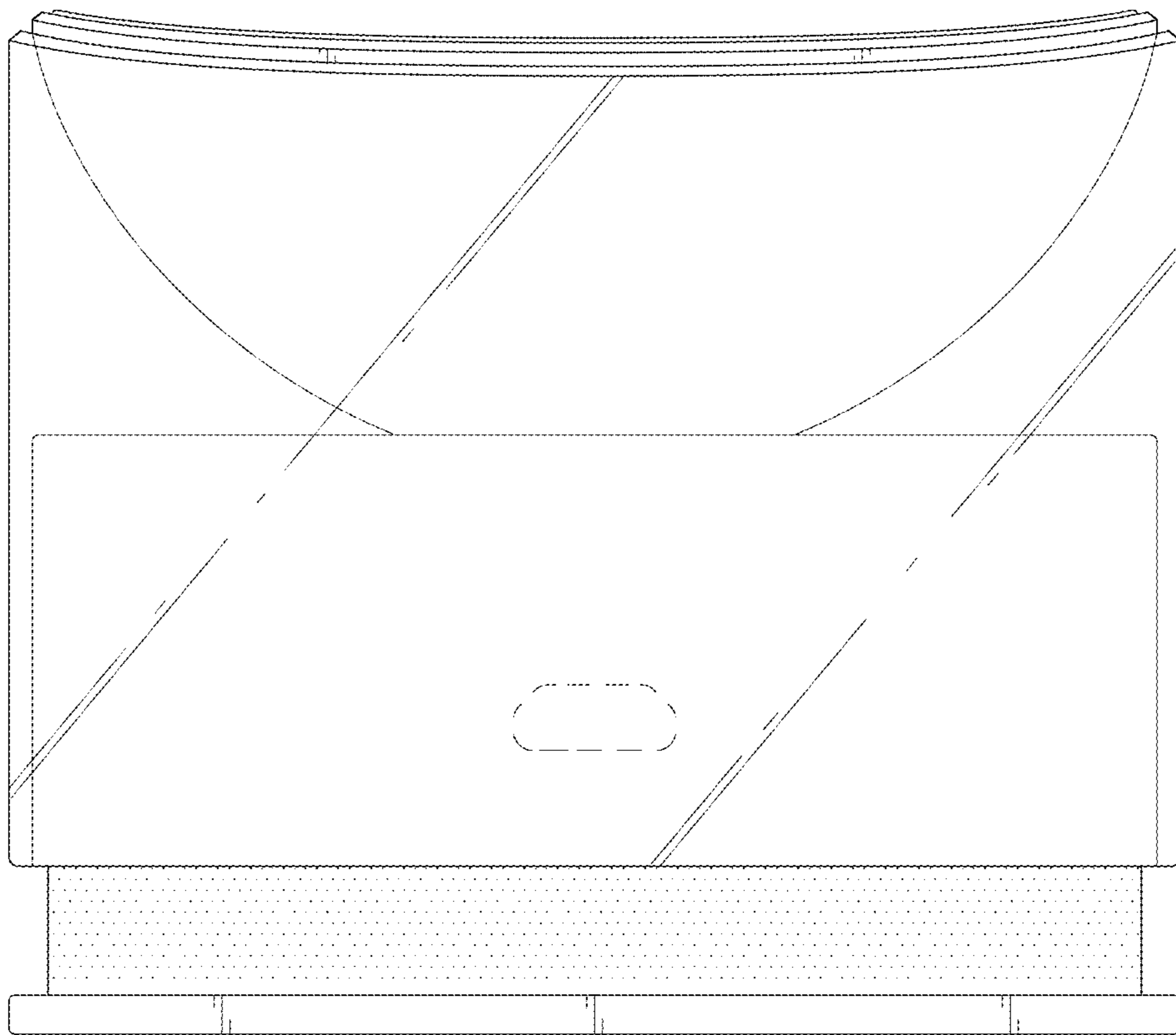


FIG. 9

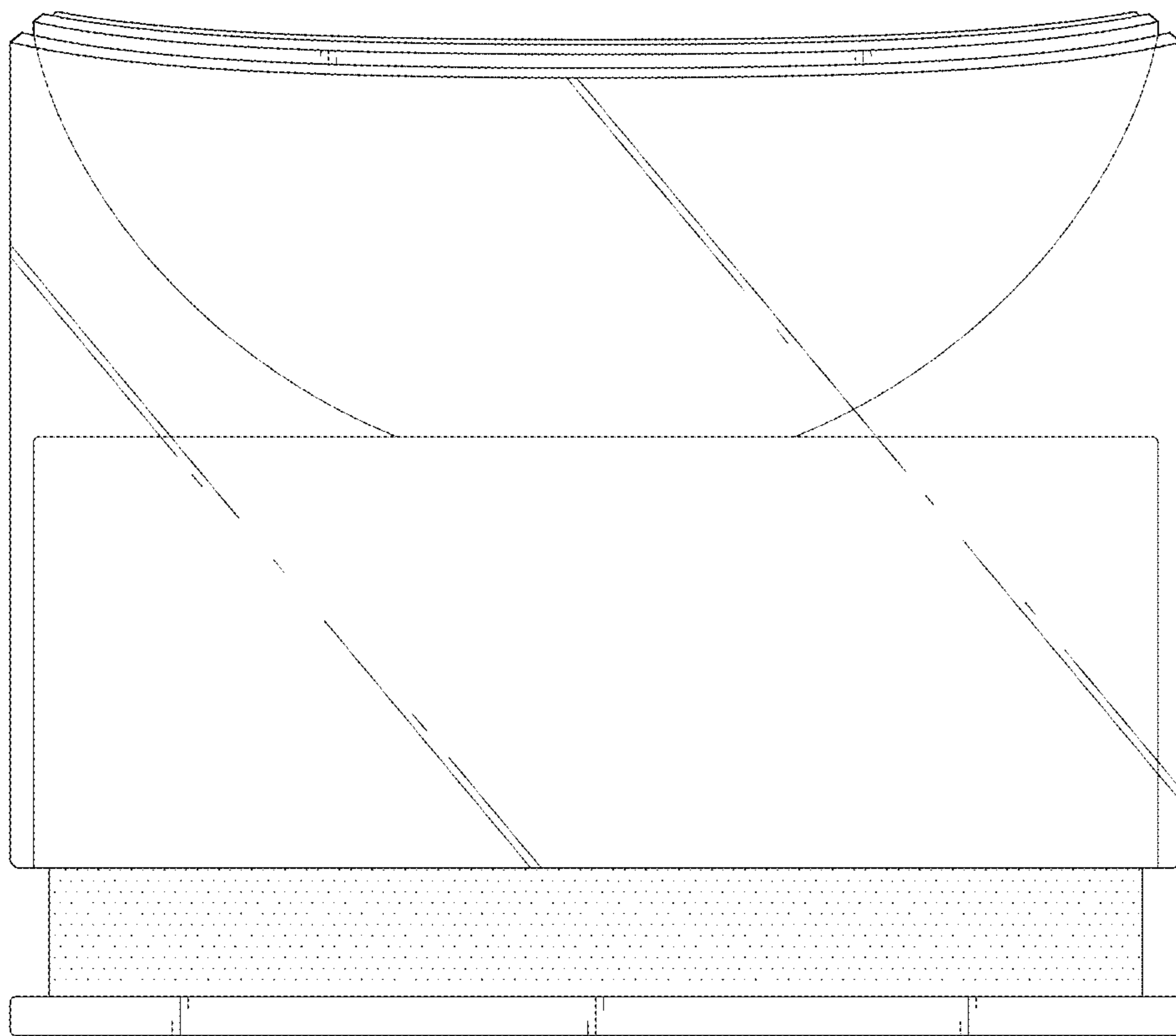


FIG. 10

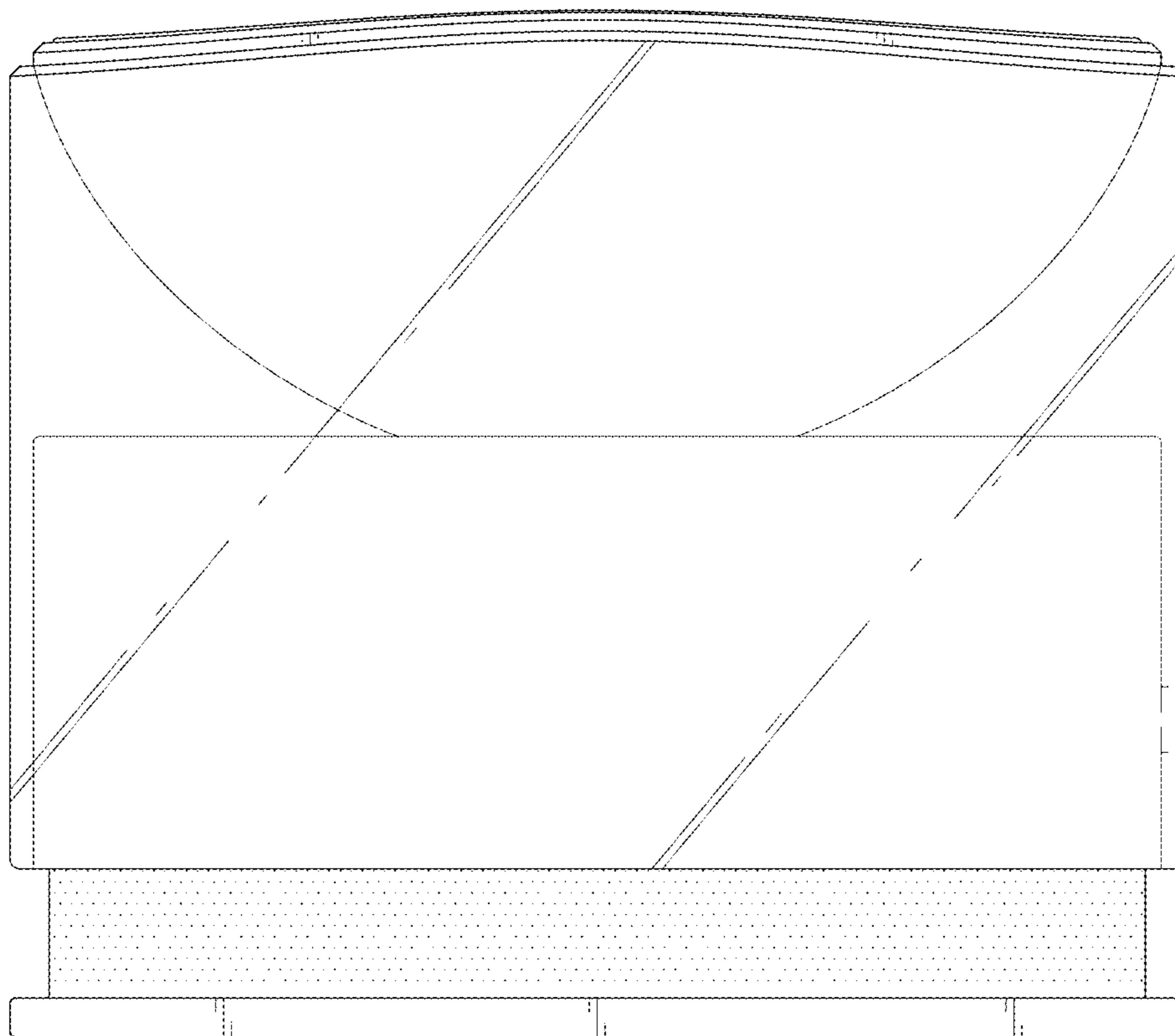


FIG. 11

