



US00D792373S

(12) **United States Design Patent** (10) **Patent No.:** **US D792,373 S**
Flowers et al. (45) **Date of Patent:** **** Jul. 18, 2017**

(54) **SPEAKER**
(71) Applicant: **Grohe AG**, Hemer (DE)
(72) Inventors: **Paul Flowers**, London (GB); **Antoine Besseyre Des Horts**, Meerbusch (DE)
(73) Assignee: **Grohe AG**, Hemer (DE)
(**) Term: **15 Years**
(21) Appl. No.: **29/535,274**
(22) Filed: **Aug. 5, 2015**

D419,157 S * 1/2000 Haney D14/192
D440,554 S * 4/2001 Bolas D14/197
D572,238 S * 7/2008 Fujiwara D14/216
D572,706 S * 7/2008 Schaefer D14/223
D574,813 S * 8/2008 Abate D14/216
D611,453 S * 3/2010 Park D14/211
D652,018 S * 1/2012 Weedon D14/211

(30) **Foreign Application Priority Data**

Feb. 5, 2015 (EM) 002627497-0002

(51) **LOC (10) Cl.** **14-01**

(52) **U.S. Cl.**
USPC **D14/204**

(58) **Field of Classification Search**
USPC D14/188, 203.1-203.8, 204, 209.1,
D14/210-213, 215, 216; 181/143, 144,
181/148, 153, 157, 198, 199; 369/6-12;
381/300-303, 361-364, 366, 386-388
CPC G06F 1/1688; G10K 9/22; H04N 5/64;
H04R 1/02; H04R 1/021; H04R 1/025;
H04R 1/026; H04R 1/028; H04R 1/403;
H04R 1/2803; H04R 1/2834; H04R 5/02;
H04R 9/06; H04R 19/013; H04R
2201/021; H04R 2400/00; H04R 2499/11;
H05K 5/00; H05K 5/0086
See application file for complete search history.

(56) **References Cited**

U.S. PATENT DOCUMENTS

D342,739 S * 12/1993 Atkin D14/217
D409,193 S * 5/1999 Mott D14/160

OTHER PUBLICATIONS

Bose 131 Marine Speakers, announced Aug. 2013, [online], site visited Nov. 23, 2016. Available from Internet, <URL: http://www.crutchfield.com>.*

* cited by examiner

Primary Examiner — Ian Simmons

Assistant Examiner — Janice Lim

(74) *Attorney, Agent, or Firm* — Muncy, Geissler, Olds & Lowe, P.C.

(57) **CLAIM**

The ornamental design for a speaker, as shown and described.

DESCRIPTION

FIG. 1 is a front perspective view of a speaker, showing our new design.

FIG. 2 is a left side view thereof.

FIG. 3 is a right side view thereof.

FIG. 4 is a front view thereof.

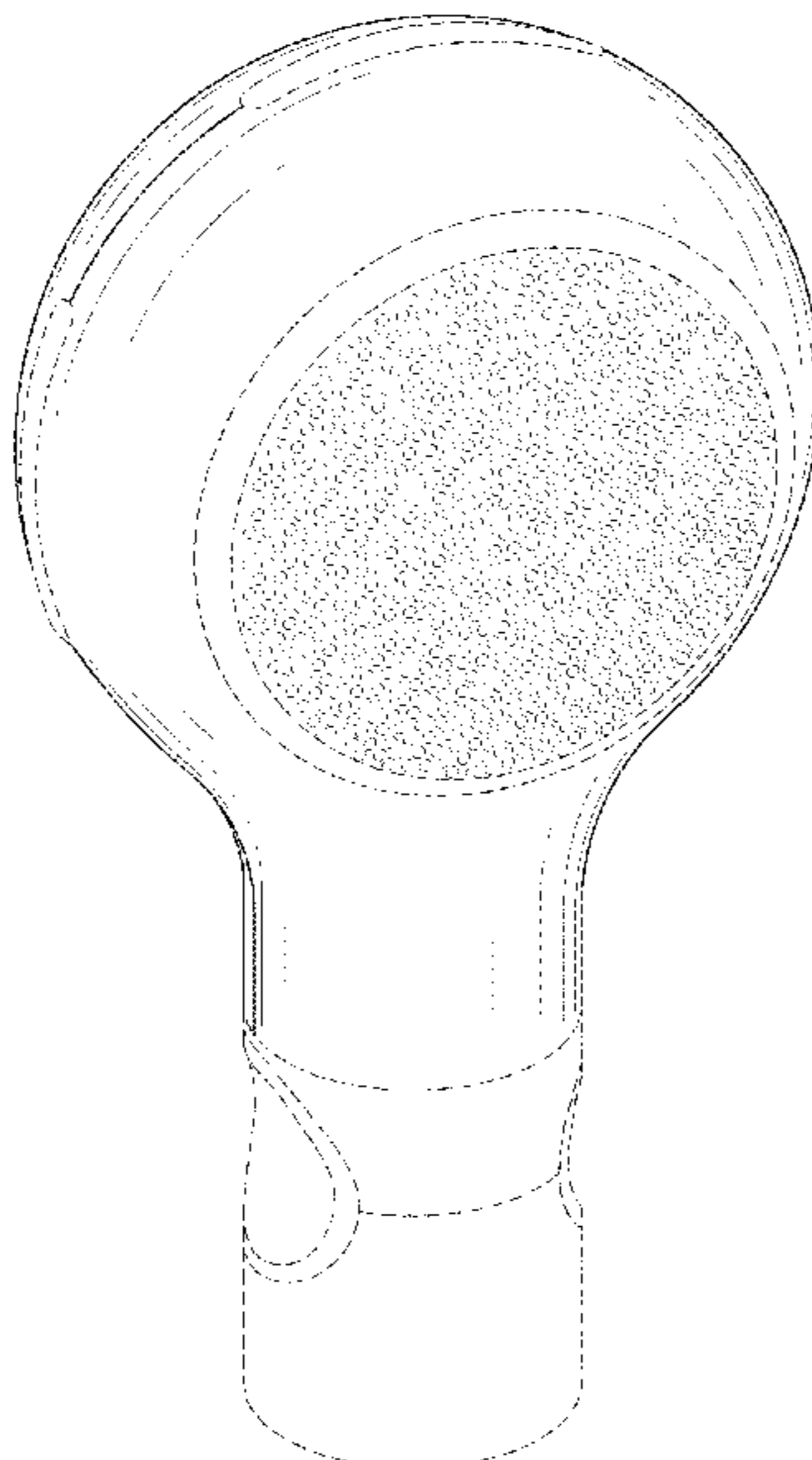
FIG. 5 is a rear view thereof.

FIG. 6 is a top view thereof; and,

FIG. 7 is a bottom view thereof.

The broken lines portion show unclaimed subject matter only and form no part of the claimed design.

1 Claim, 7 Drawing Sheets



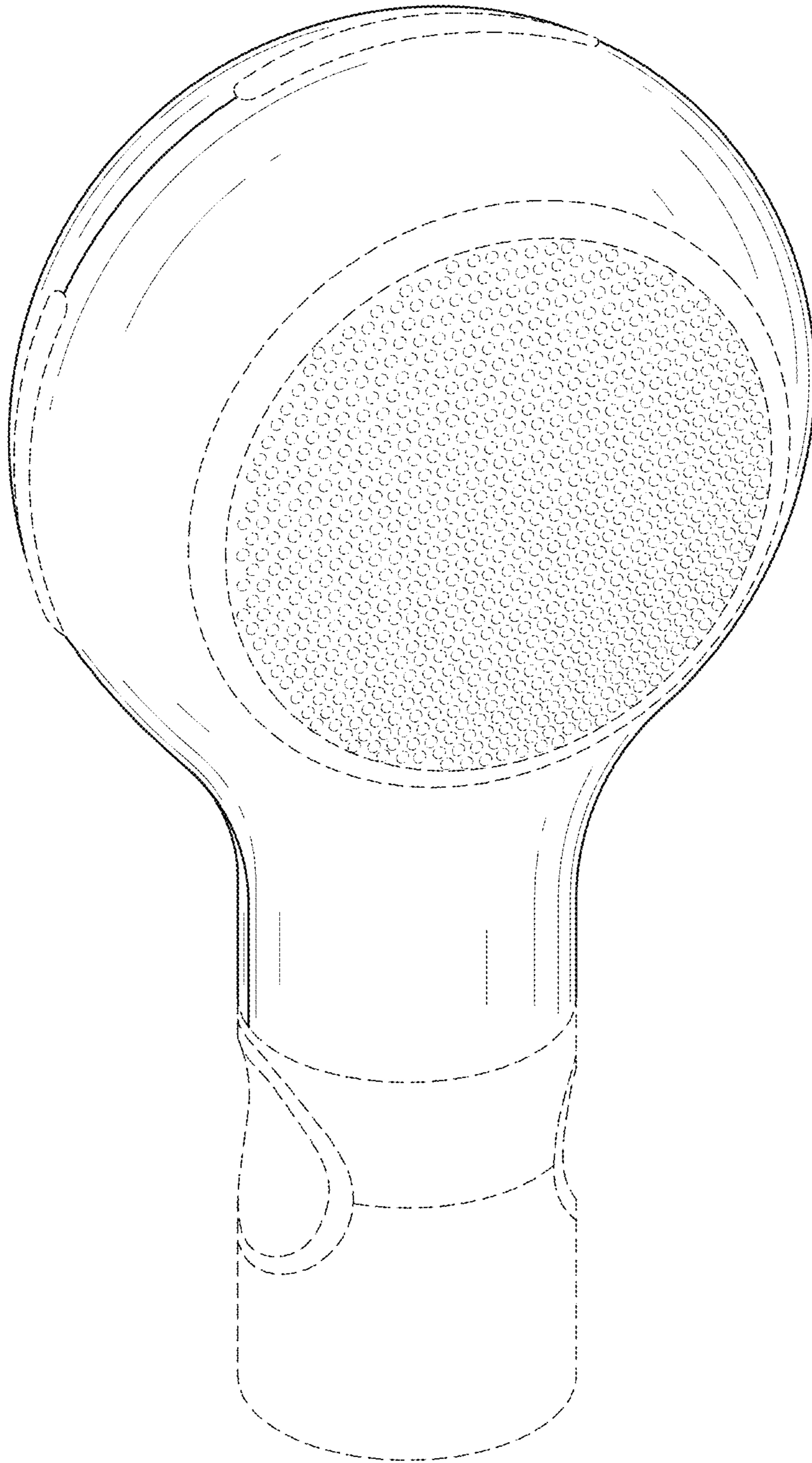


FIG.1

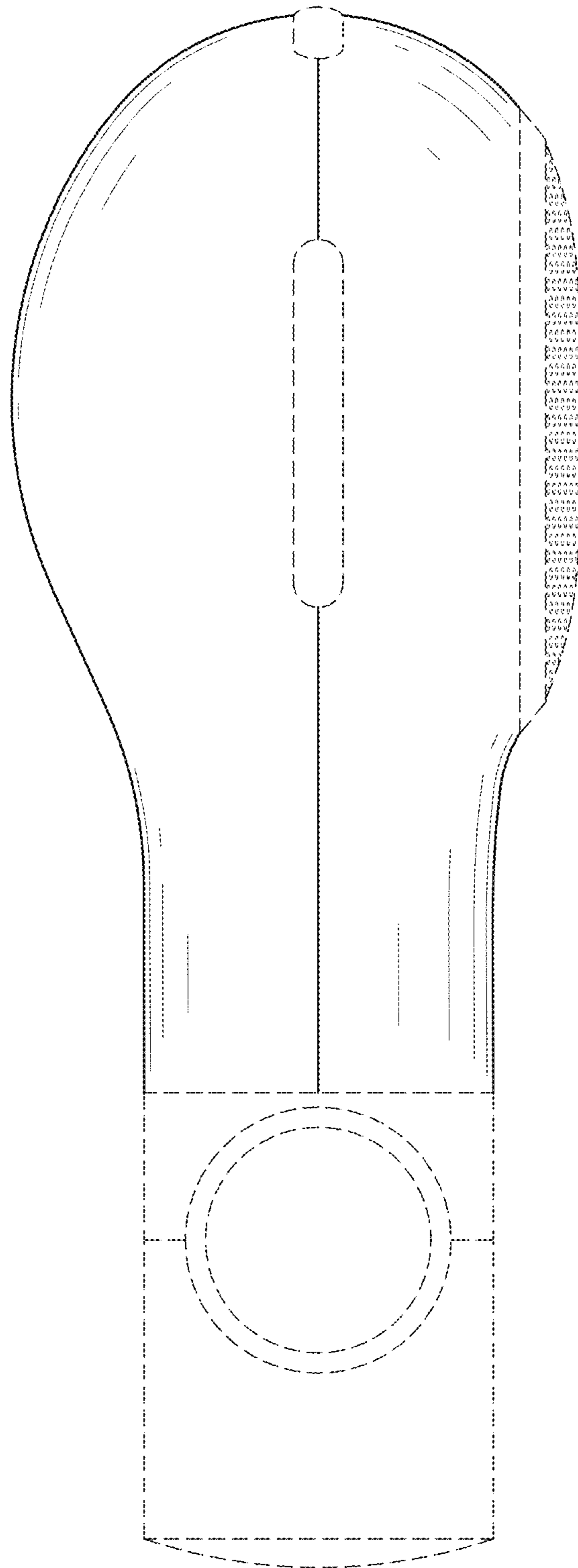


FIG.2

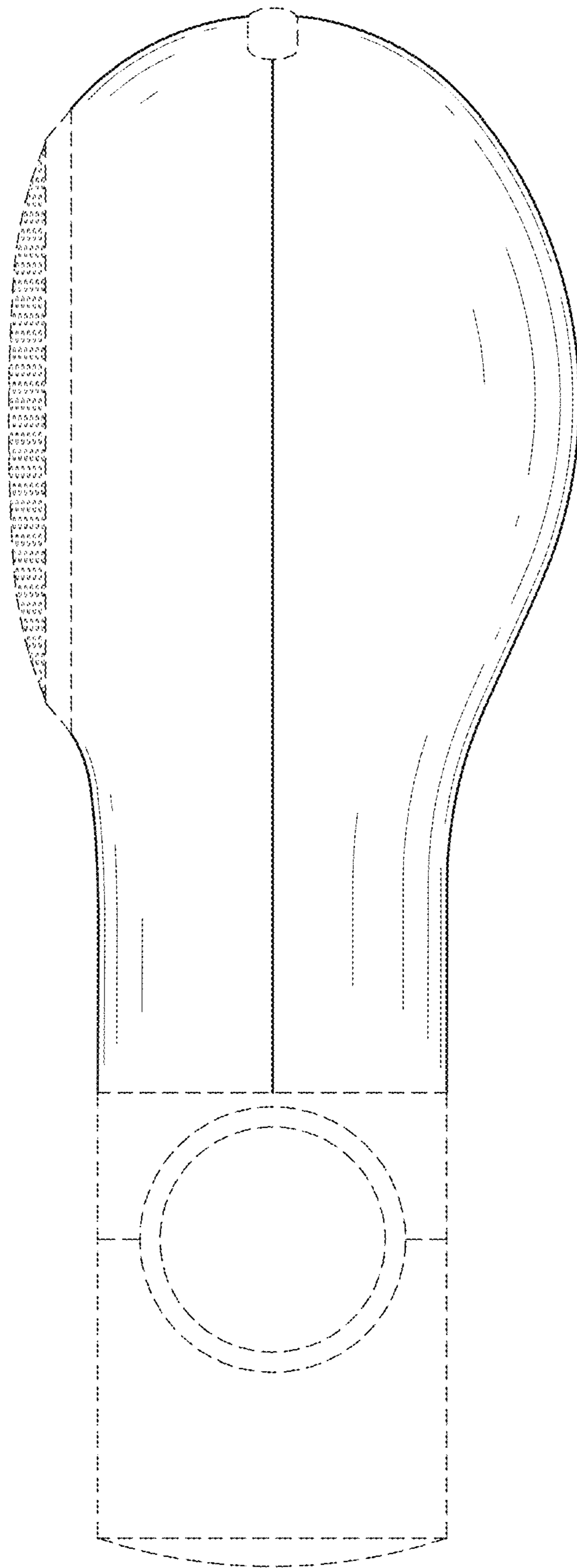


FIG.3

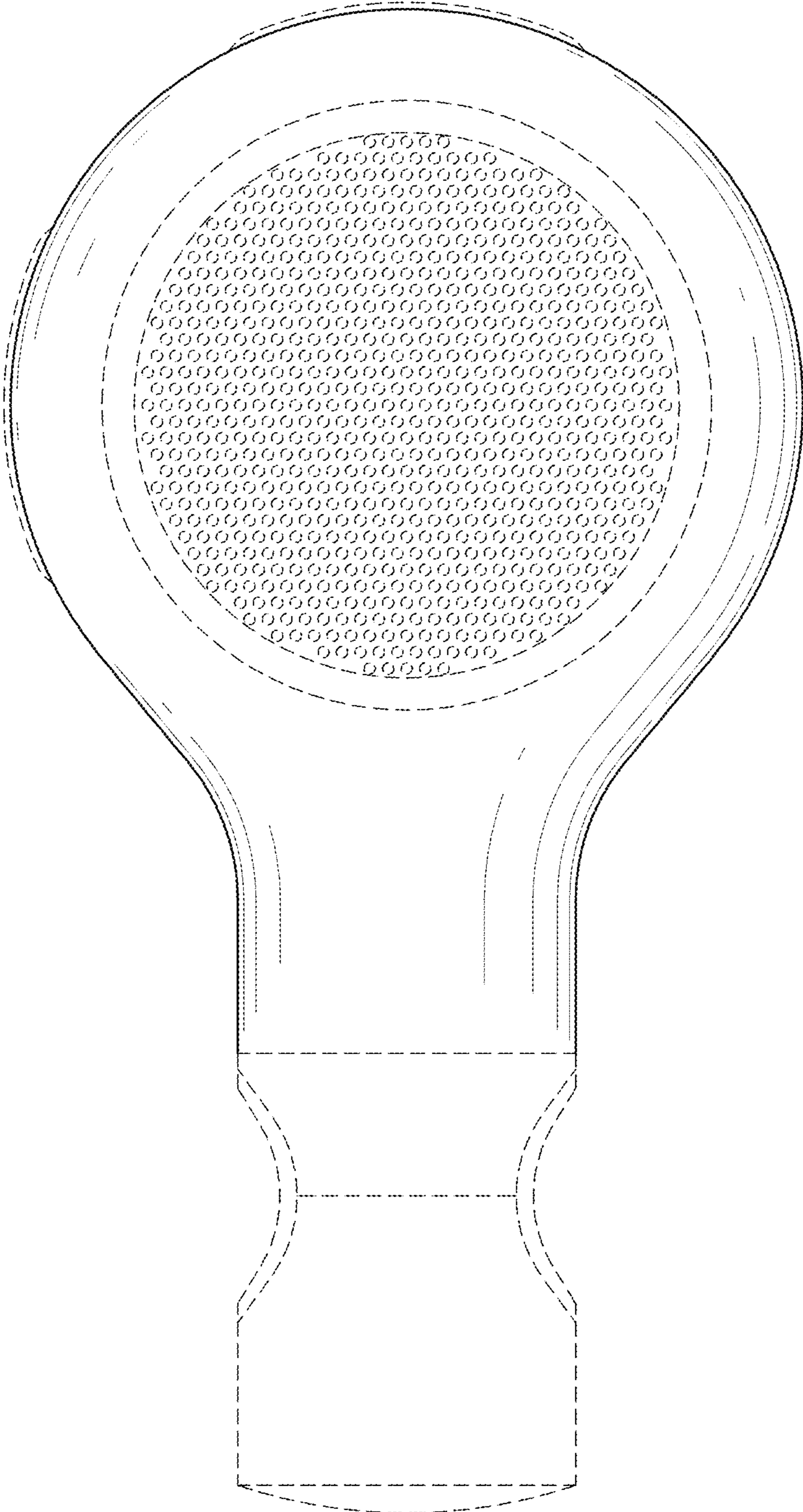


FIG.4

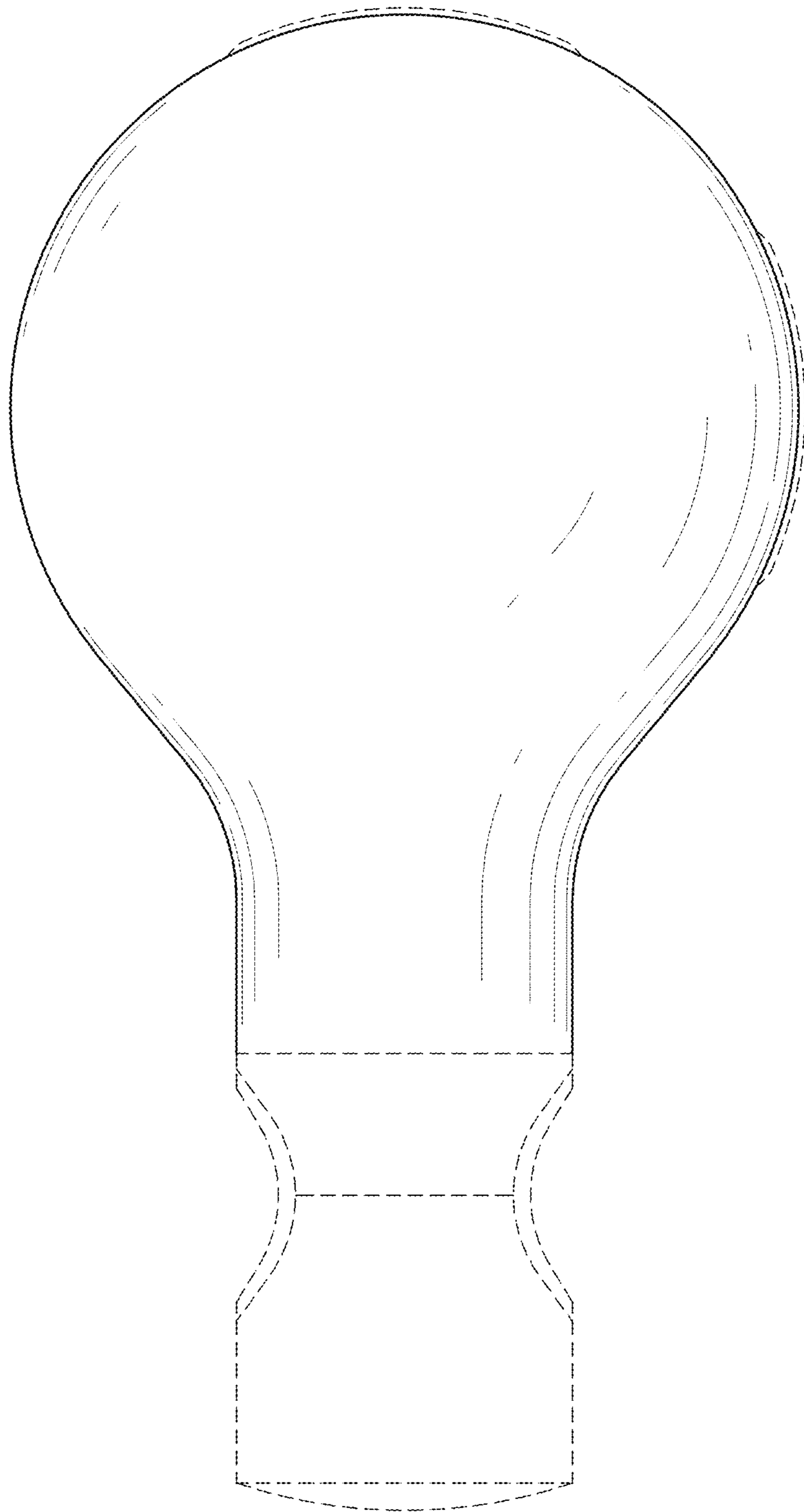


FIG.5

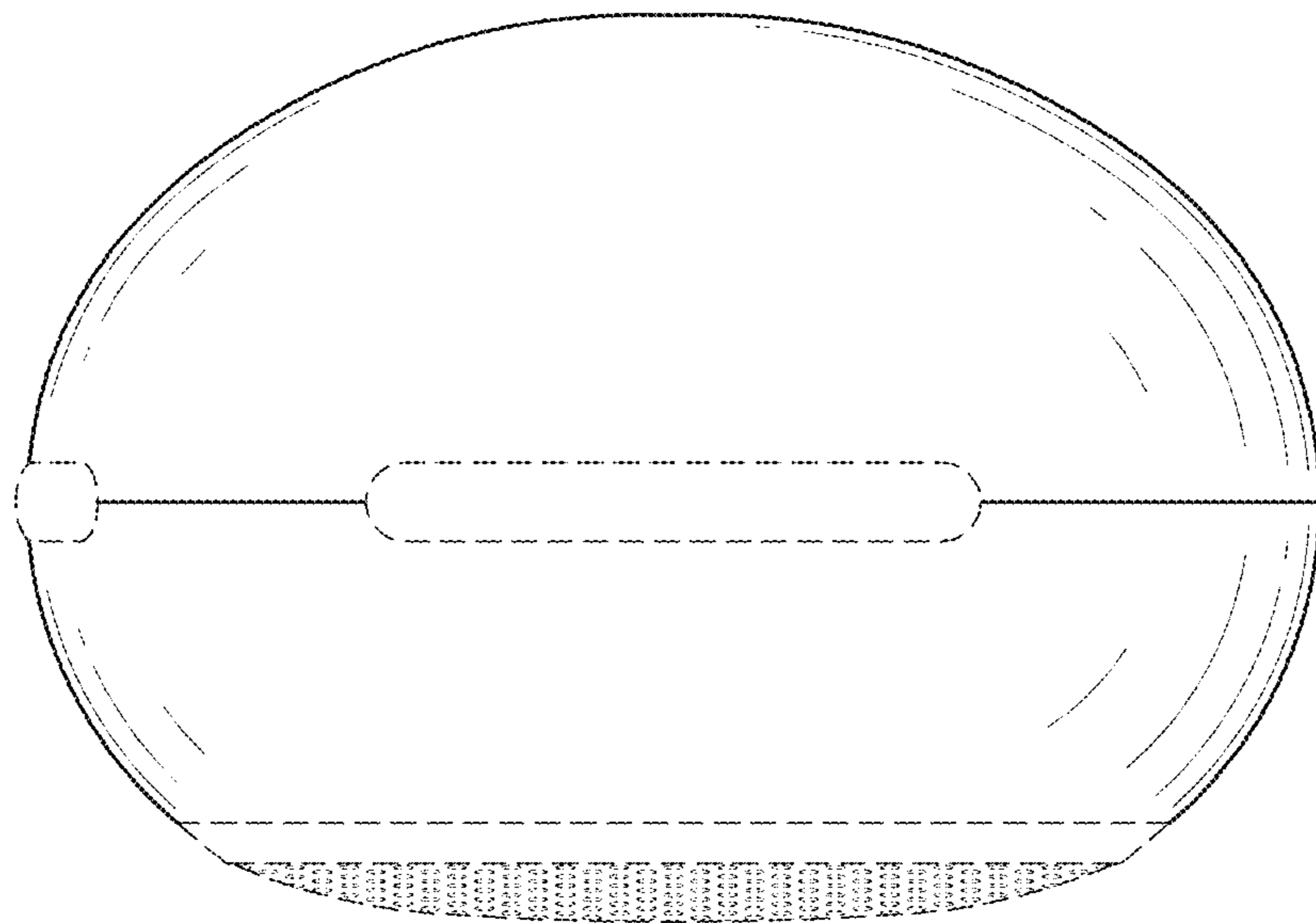


FIG. 6

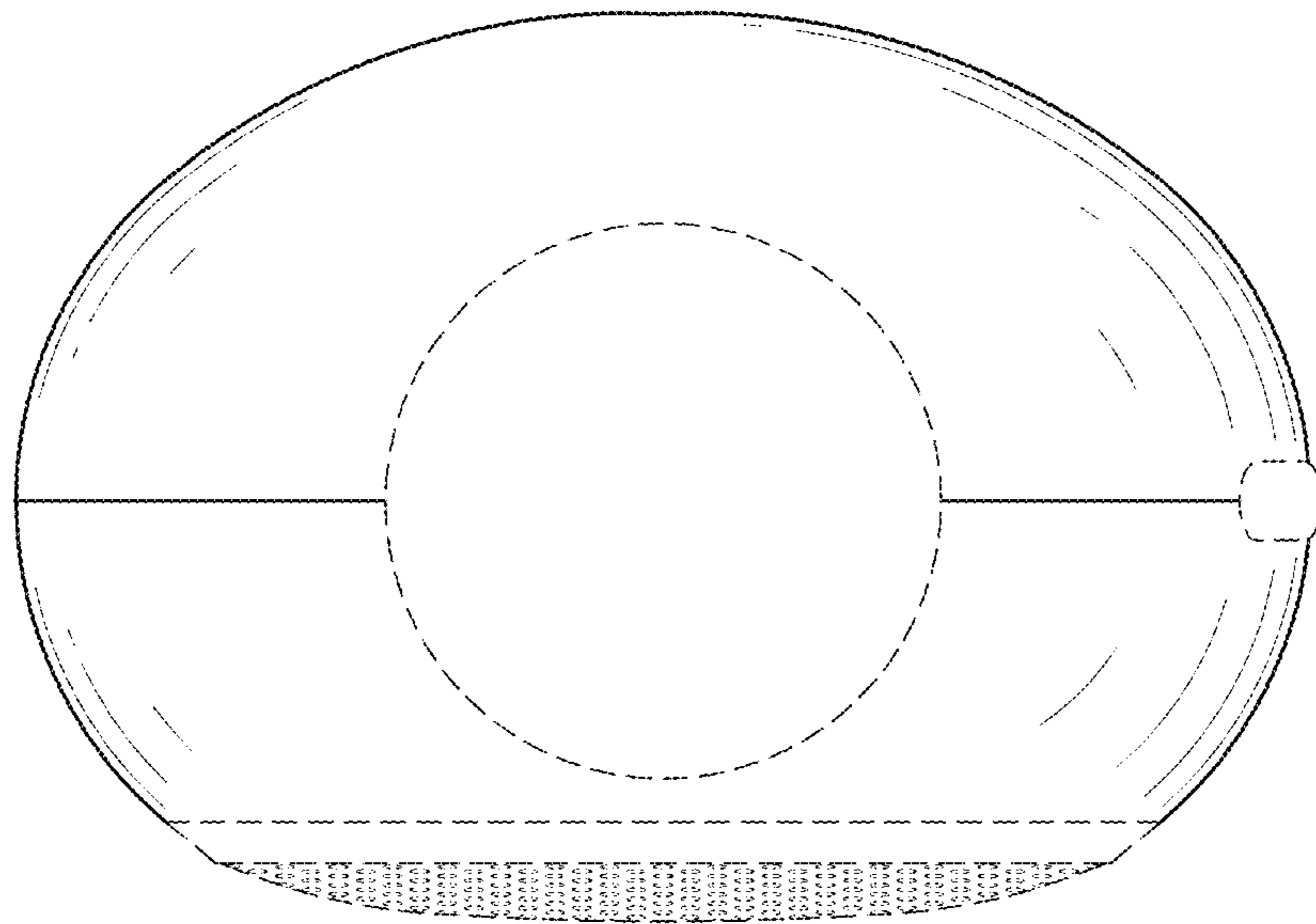


FIG.7