



US00D792372S

(12) **United States Design Patent** (10) **Patent No.:** **US D792,372 S**
Kim et al. (45) **Date of Patent:** **** Jul. 18, 2017**

(54) **PORTABLE SPEAKER**

(71) Applicant: **LG ELECTRONICS INC.**, Seoul (KR)

(72) Inventors: **Sungwoo Kim**, Seoul (KR); **Jonghak Lee**, Seoul (KR); **Seunghyun Ji**, Seoul (KR)

(73) Assignee: **LG ELECTRONICS INC.**, Seoul (KR)

(**) Term: **15 Years**

(21) Appl. No.: **29/534,895**

(22) Filed: **Jul. 31, 2015**

(30) **Foreign Application Priority Data**

Feb. 2, 2015 (KR) 30-2015-0005727

(51) **LOC (10) Cl.** **14-01**

(52) **U.S. Cl.**
USPC **D14/204**

(58) **Field of Classification Search**
USPC D14/167, 168, 170-172, 188,
D14/203.1-203.8, 204, 207, 209.1,
D14/210-216, 348, 349, 352, 498-510;
181/143, 144, 148, 153, 157, 198, 199;
369/6-12; 381/300-303, 361-364, 366,
381/386-388

CPC G06F 1/1688; G10K 9/22; H04N 5/64;
H04R 1/02; H04R 1/021; H04R 1/025;
H04R 1/026; H04R 1/028; H04R 1/403;
H04R 1/2803; H04R 1/2834; H04R 5/02;
H04R 9/06; H04R 19/013; H04R
2201/021; H04R 2400/00; H04R 2499/11;
H05K 5/00; H05K 5/0086

See application file for complete search history.

(56) **References Cited**

U.S. PATENT DOCUMENTS

D398,304 S * 9/1998 Murray D14/137
D446,499 S * 8/2001 Andre D13/110

D451,076 S * 11/2001 Sommer D13/168
D552,586 S * 10/2007 Kim D14/138 AD
D560,230 S * 1/2008 Yagi D14/168
D579,915 S * 11/2008 Yeo D14/214
D618,660 S * 6/2010 Whang D14/167
D665,734 S * 8/2012 Fitch D13/107
D675,187 S * 1/2013 Nousiainen D14/204
D704,167 S * 5/2014 Akana D14/218

OTHER PUBLICATIONS

Sonos Playbar Speaker, announced Mar. 2013, [online], site visited Oct. 28, 2016. Available from Internet, <URL: <http://www.techhive.com>>.*

* cited by examiner

Primary Examiner — Ian Simmons

Assistant Examiner — Janice Lim

(74) *Attorney, Agent, or Firm* — Birch, Stewart, Kolasch & Birch, LLP

(57) **CLAIM**

The ornamental design for a portable speaker, as shown and described.

DESCRIPTION

FIG. 1 is a perspective view of a portable speaker showing our new design;
FIG. 2 is a front view thereof;
FIG. 3 is a rear view thereof;
FIG. 4 is a left side view thereof, and the right side view being a mirror image thereof;
FIG. 5 is a top plan view thereof;
FIG. 6 is a bottom plan view thereof; and,
FIG. 7 is a perspective view thereof, shown in unfolded condition.

The broken line portions show unclaimed subject matter only and form no part of the claimed design.

1 Claim, 6 Drawing Sheets

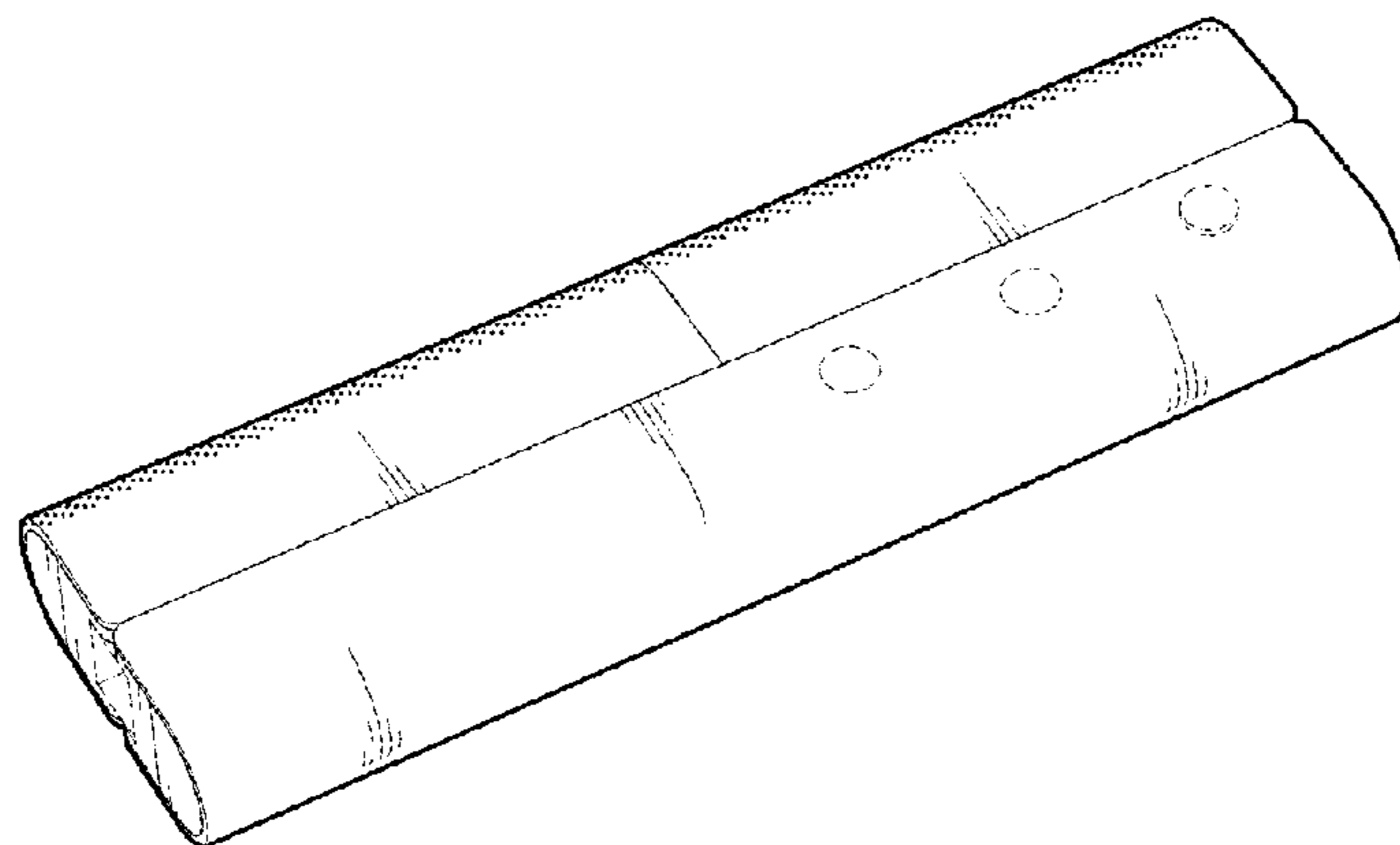


FIG. 1

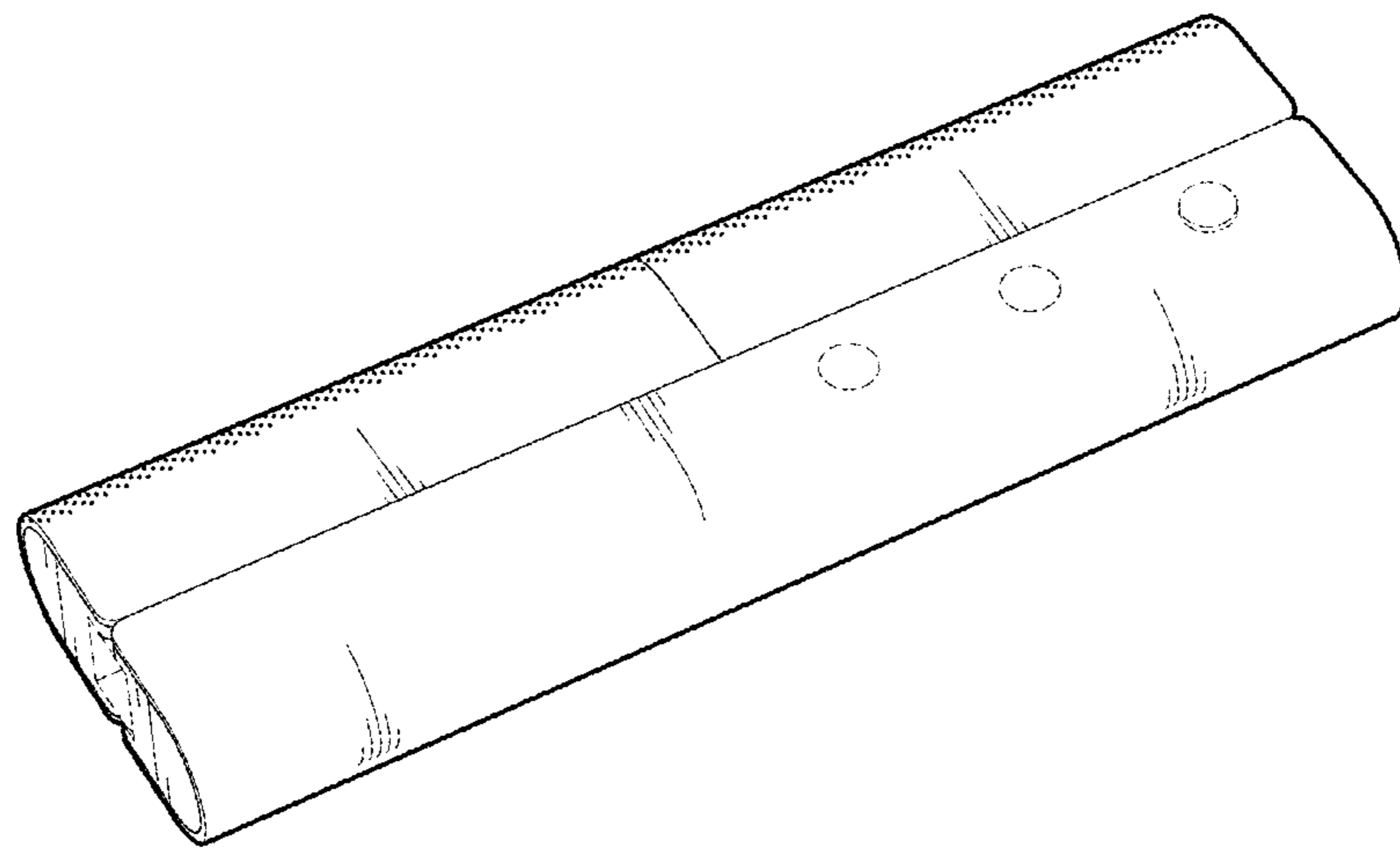


FIG. 2

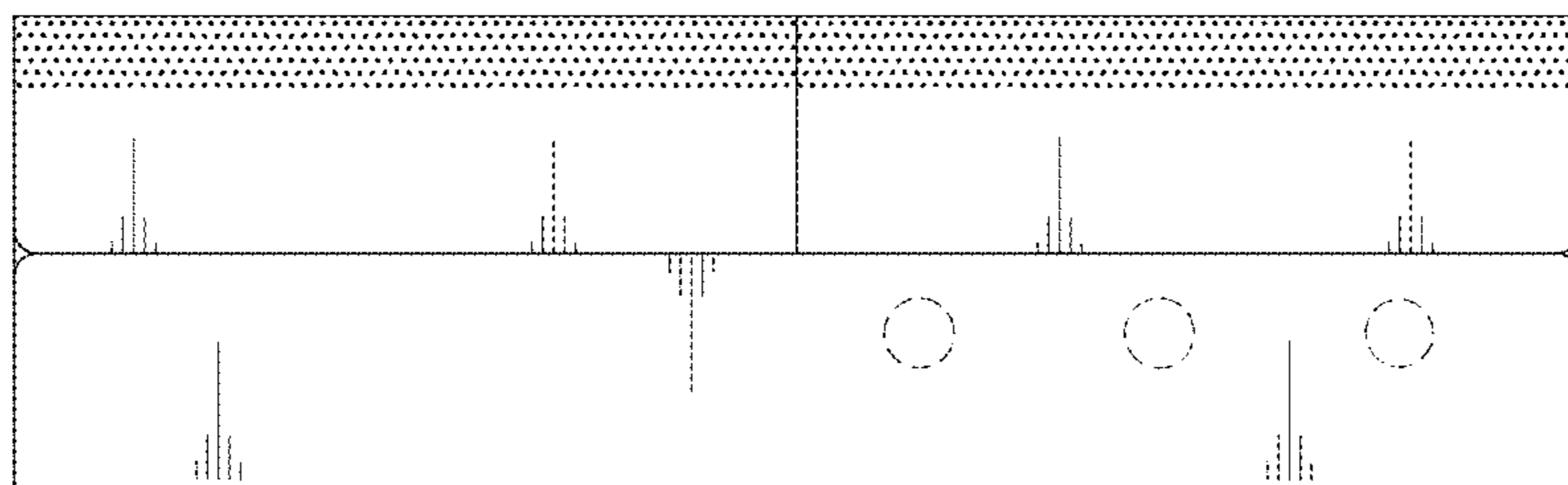


FIG. 3

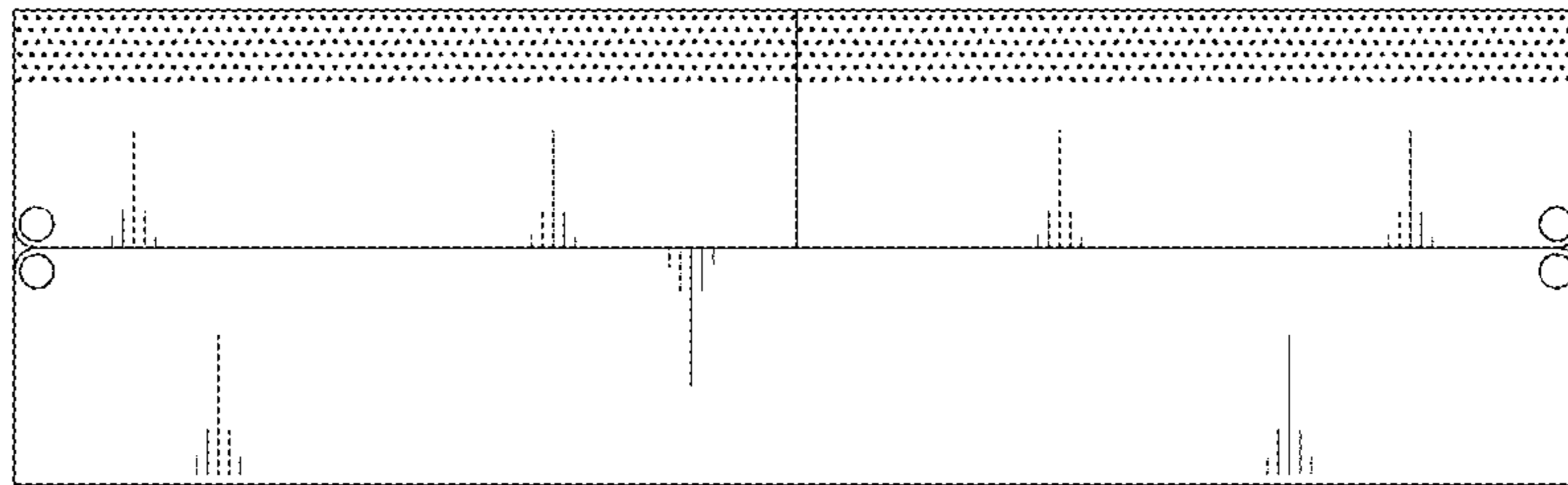


FIG. 4

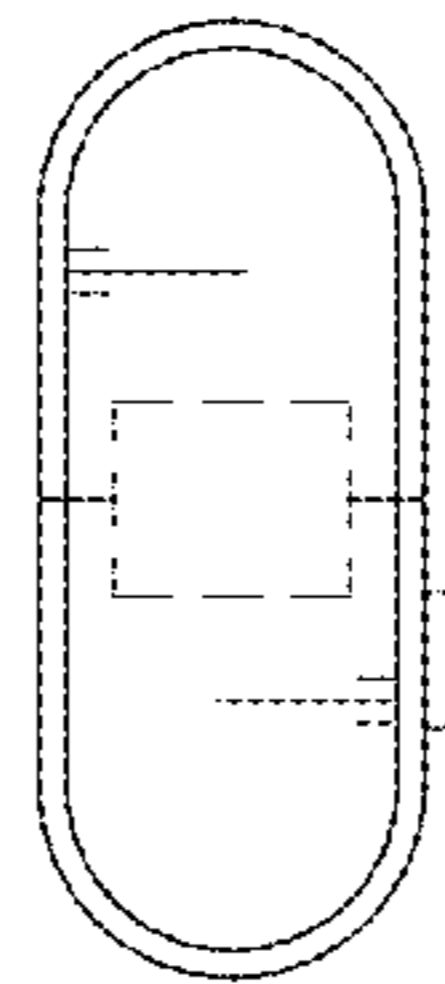


FIG. 5

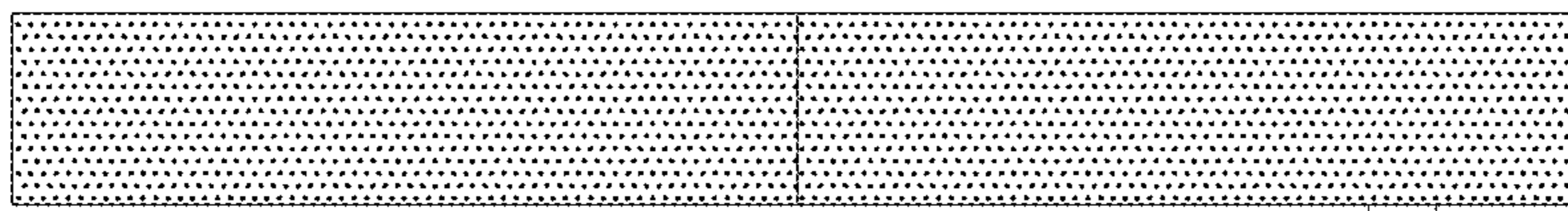


FIG. 6

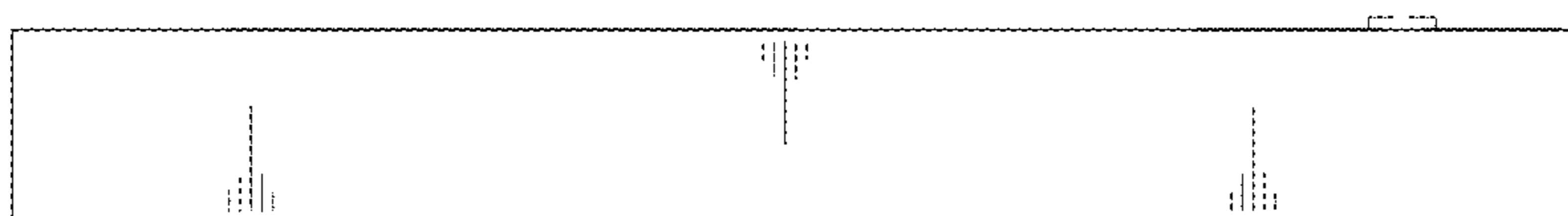


FIG. 7

