



US00D792368S

(12) **United States Design Patent**
Toda et al.

(10) **Patent No.:** **US D792,368 S**
(45) **Date of Patent:** **** Jul. 18, 2017**

- (54) **PORTABLE TRANSLATOR**
- (71) Applicant: **KING JIM CO., LTD.**, Chiyoda-ku, Tokyo (JP)
- (72) Inventors: **Naotoshi Toda**, Tokyo (JP); **Shinji Higashiyama**, Chiba (JP)
- (73) Assignee: **KING JIM CO., LTD.**, Tokyo (JP)
- (**) Term: **15 Years**
- (21) Appl. No.: **29/577,857**
- (22) Filed: **Sep. 15, 2016**
- (30) **Foreign Application Priority Data**
Mar. 17, 2016 (JP) 2016-005929
- (51) **LOC (10) Cl.** **14-99**
- (52) **U.S. Cl.**
USPC **D14/158**
- (58) **Field of Classification Search**
USPC D14/167, 154, 168, 188, 496, 156, 160, D14/161, 162, 163, 164, 165, 158, 341, D14/346, 342, 345; D16/208; D26/38; 455/351, 350; D19/60, 62; D21/330
CPC G06F 17/00; G10L 13/00; H04R 2410/00; H04W 92/04
See application file for complete search history.

- (56) **References Cited**
U.S. PATENT DOCUMENTS
D419,562 S * 1/2000 Mu D14/158
D473,203 S * 4/2003 Enos D14/158
D579,440 S * 10/2008 Wiley D14/158
D595,686 S * 7/2009 Mosher D14/158
D599,321 S * 9/2009 Mosher D14/158
D655,270 S * 3/2012 Jain D14/167

D673,952 S *	1/2013	Toda	D14/383
D707,198 S *	6/2014	Bouzid	D14/167
D719,127 S *	12/2014	Nishiwaki	D14/167
D721,075 S *	1/2015	Toda	D14/342
D738,348 S *	9/2015	Kouthoofd	D14/158
D739,372 S *	9/2015	Ferriell	D14/142
D741,282 S *	10/2015	Kouthoofd	D14/158

OTHER PUBLICATIONS

Decision to Grant Protection of Design Patent dated Oct. 24, 2016 for Japanese Design Application No. 2016-005929 (and English translation thereof), the priority of which is claimed in the present U.S. Application.
Filing Receipt dated Jul. 18, 2016 of related counterpart Chinese Design Application No. 201630328129.5 (and English translation thereof), which claims the priority of Japanese Design Application No. 2016-005929.

* cited by examiner

Primary Examiner — Austin Murphy
(74) *Attorney, Agent, or Firm* — Holtz, Holtz & Volek PC

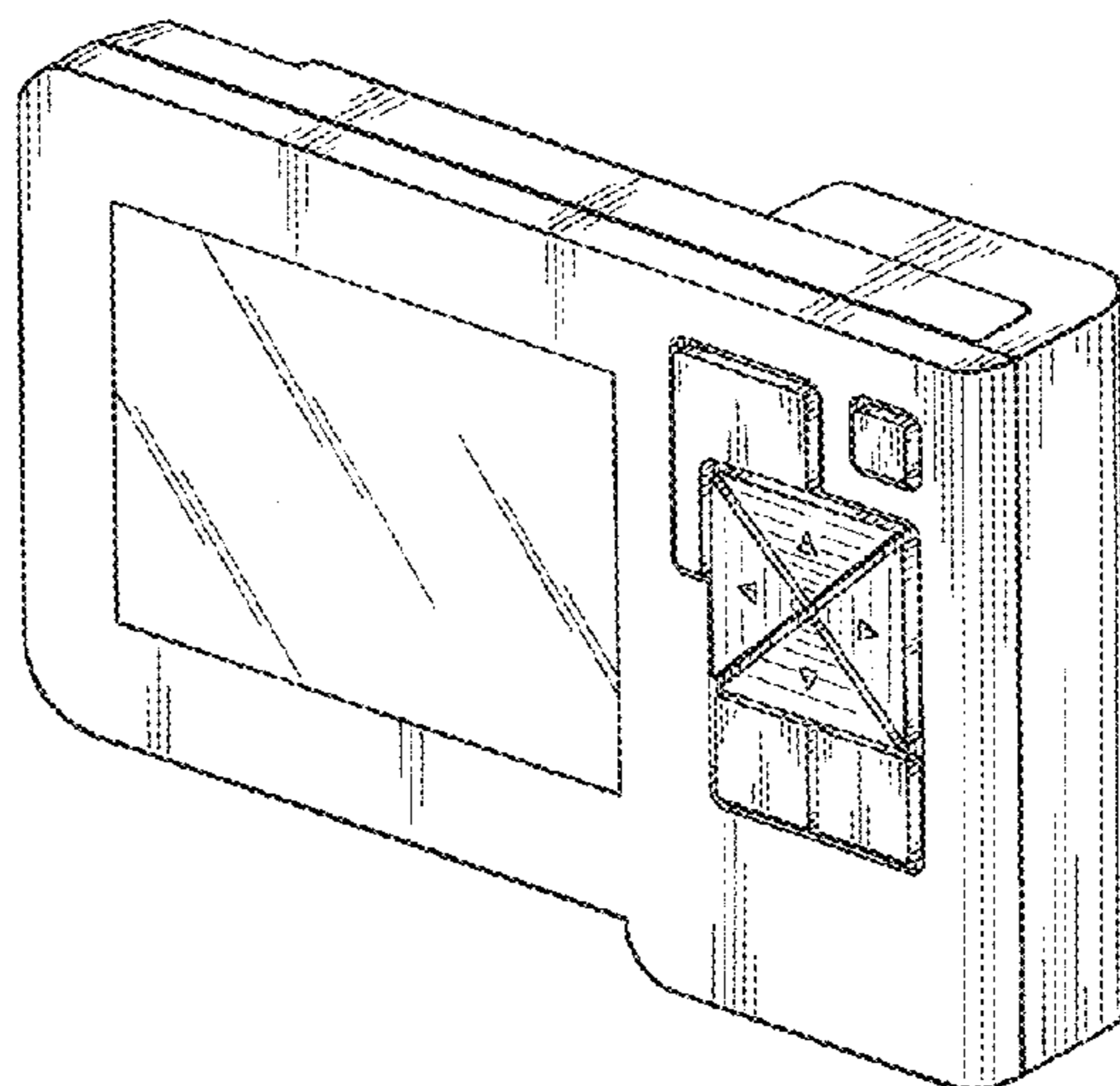
(57) **CLAIM**

The ornamental design for a portable translator, as shown.

DESCRIPTION

FIG. 1 is a front elevational view of a portable translator showing our new design;
FIG. 2 is a rear elevational view thereof;
FIG. 3 is a left side elevational view thereof;
FIG. 4 is a right side elevational view thereof;
FIG. 5 is a top plan view thereof;
FIG. 6 is a bottom plan view thereof;
FIG. 7 is a front, top and right side perspective view thereof;
and,
FIG. 8 is a rear, top and left side perspective view thereof.

1 Claim, 3 Drawing Sheets



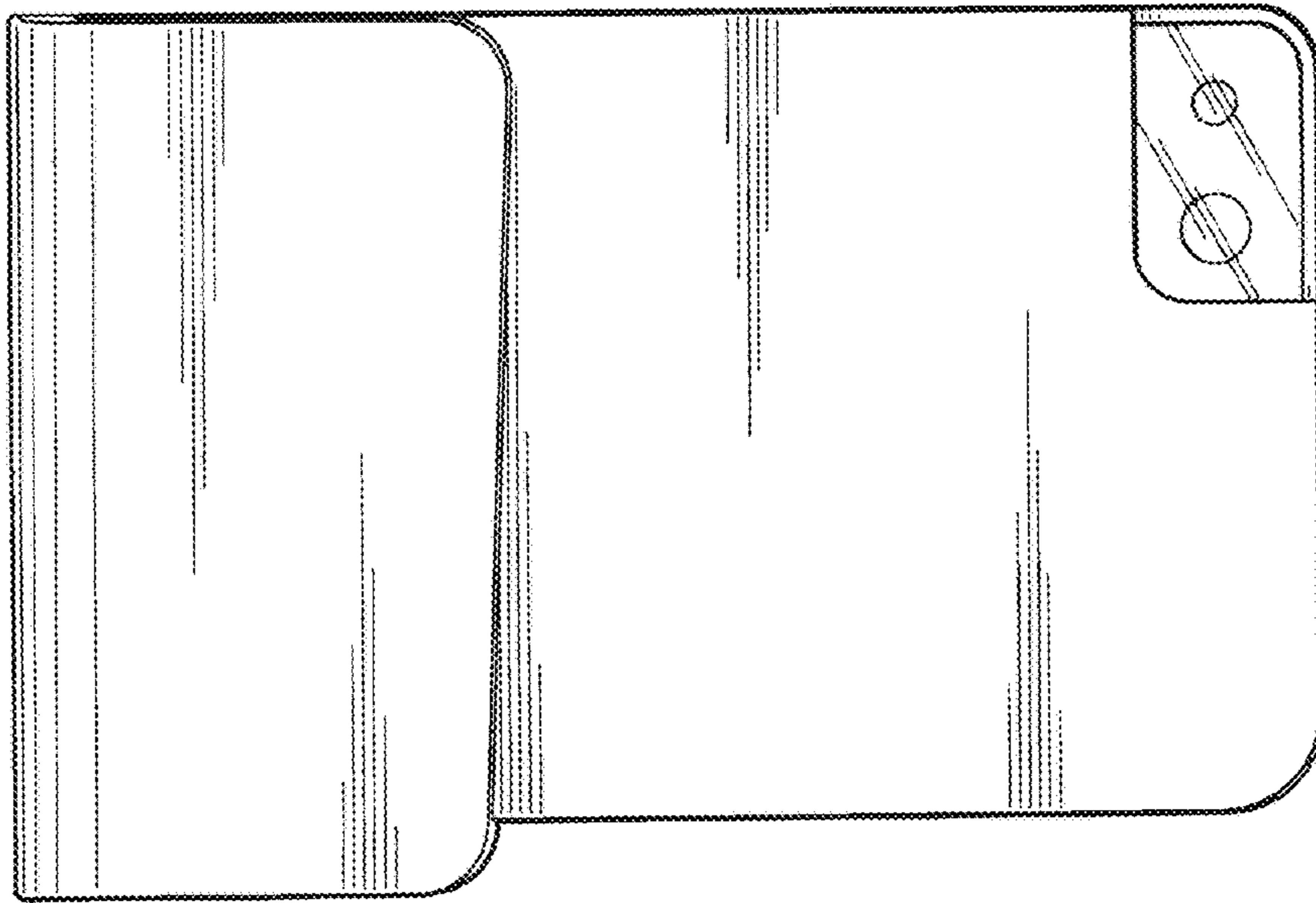


Fig. 1

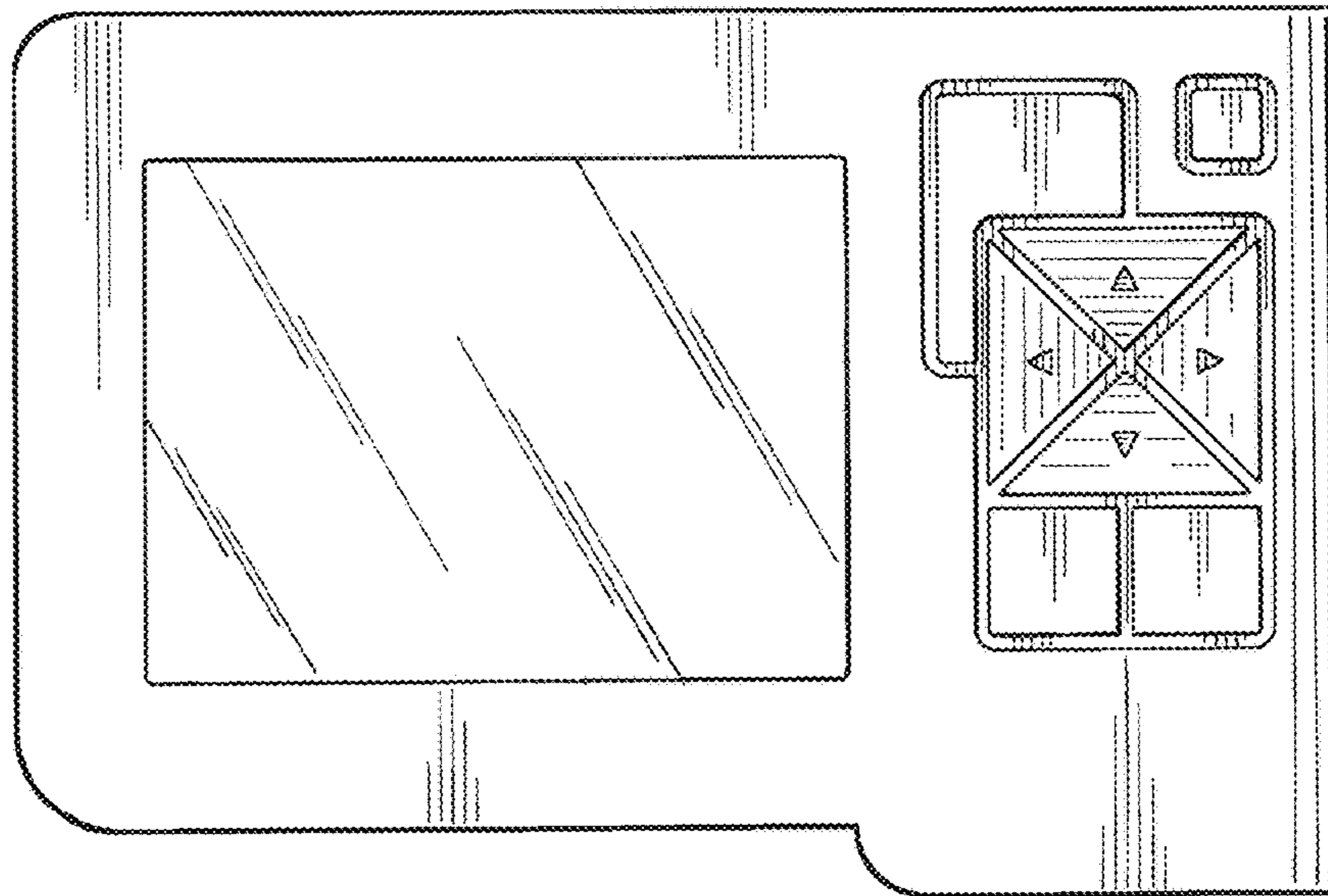


Fig. 2

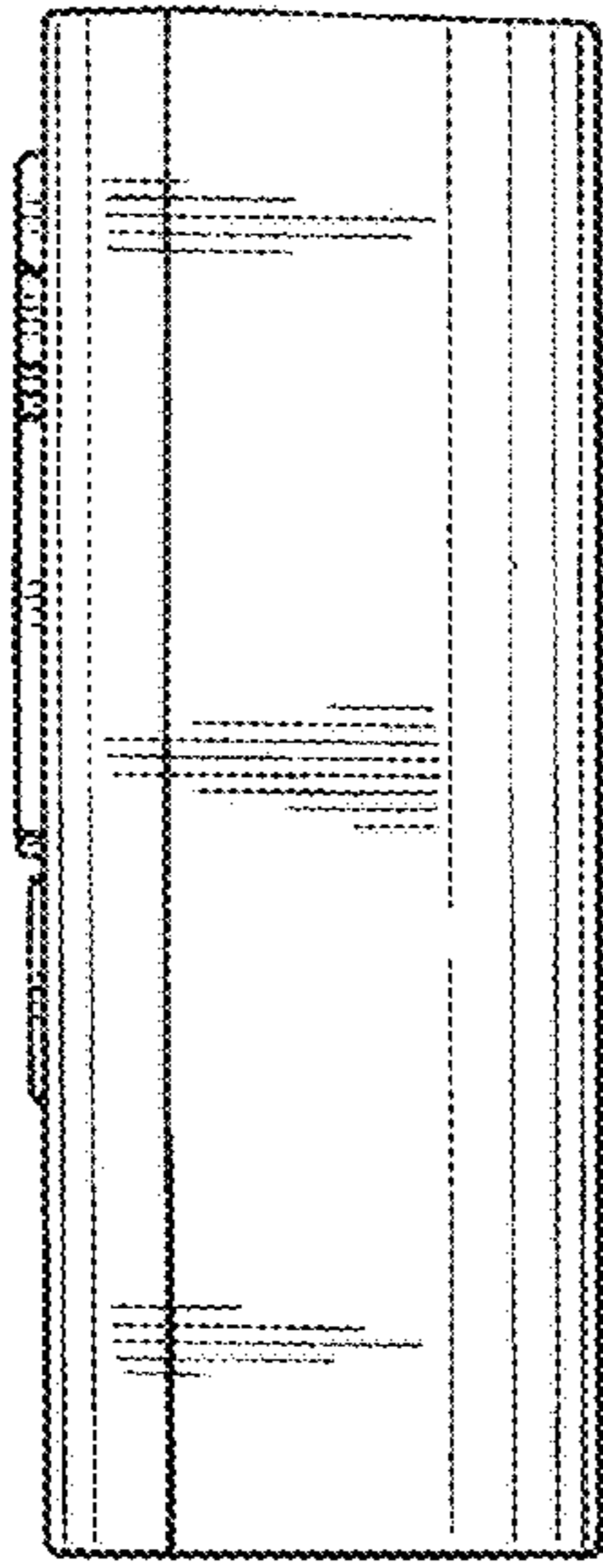


Fig. 3

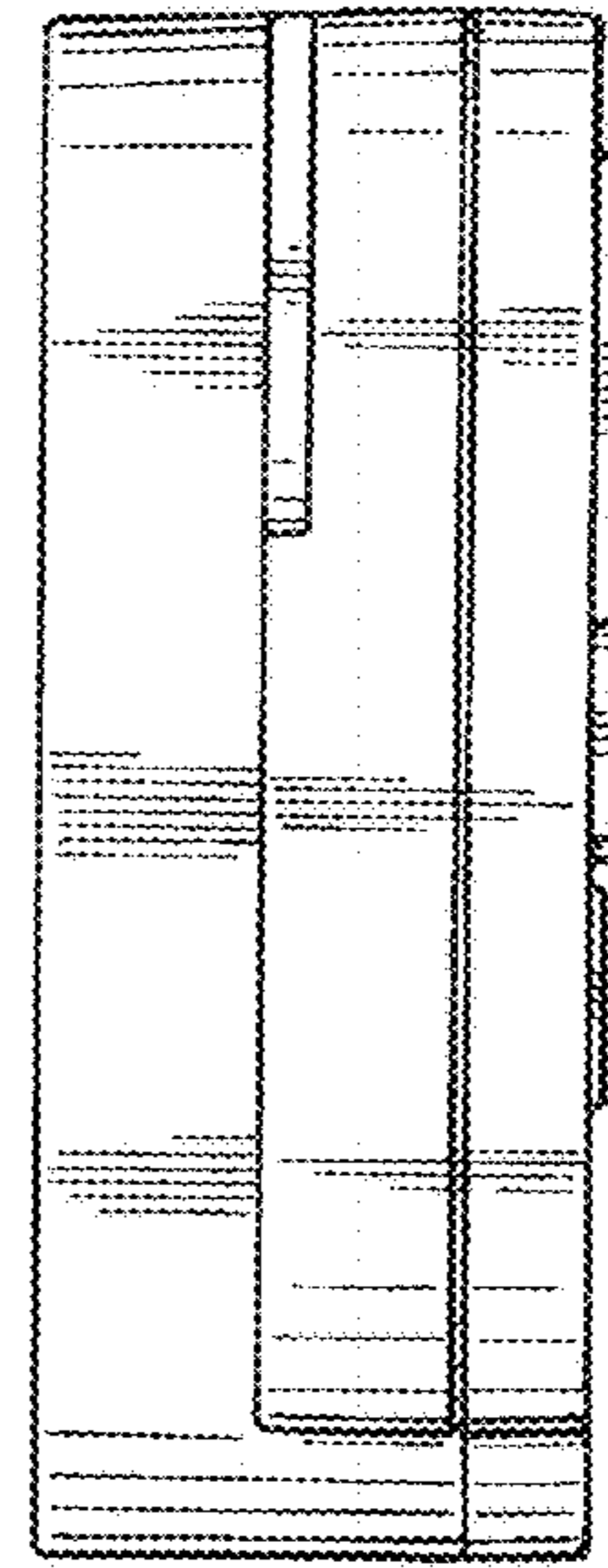


Fig. 4

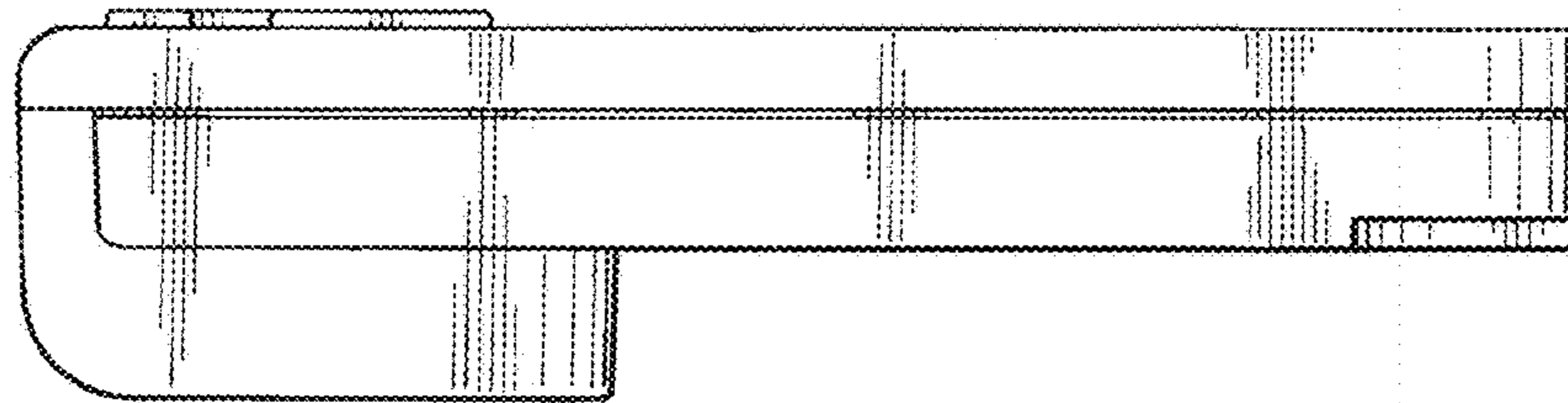


Fig. 5

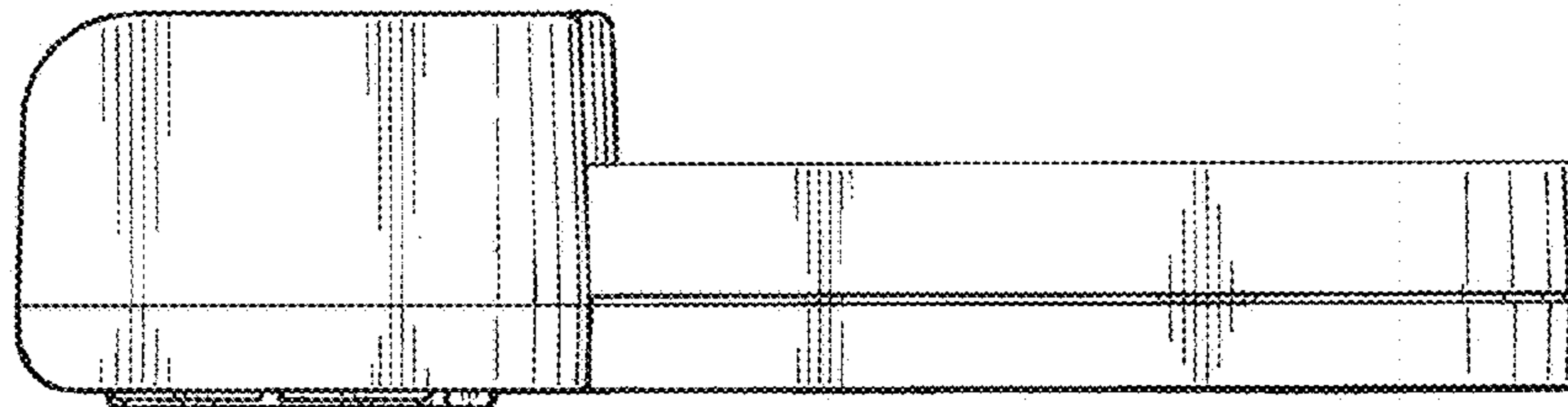


Fig. 6

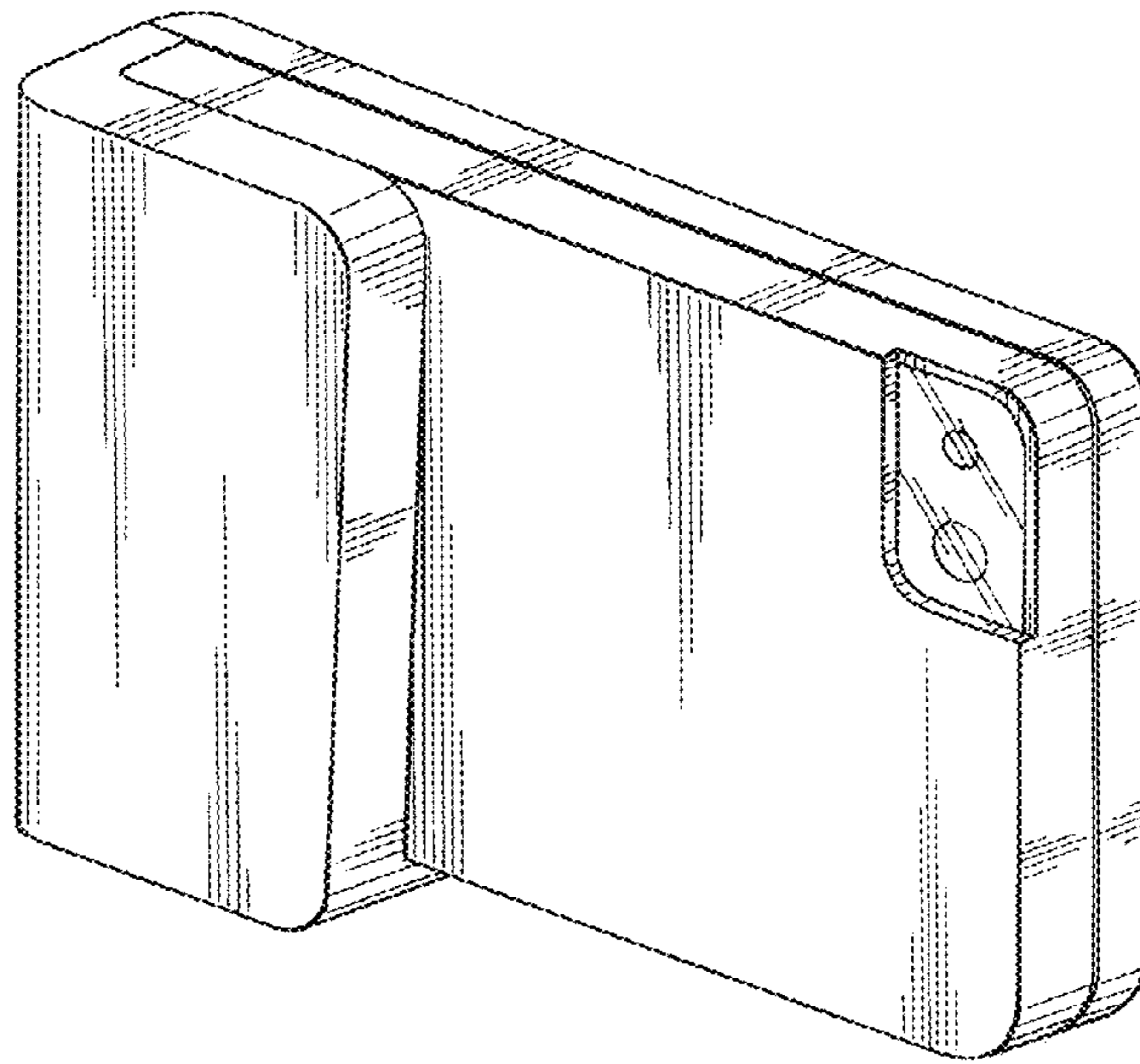


Fig. 7

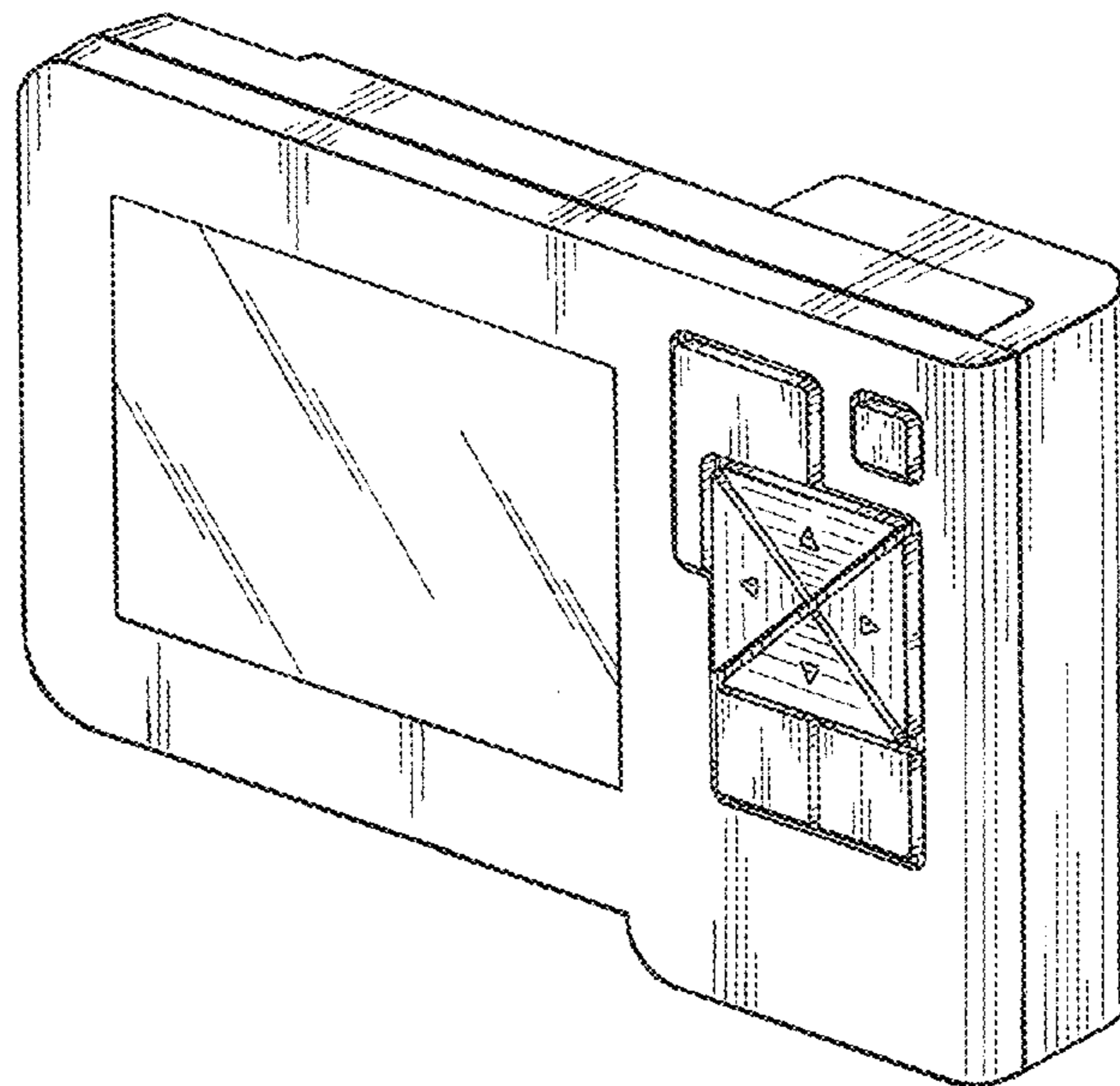


Fig. 8