



US00D792367S

(12) **United States Design Patent**
Nishida

(10) **Patent No.:** **US D792,367 S**

(45) **Date of Patent:** **** Jul. 18, 2017**

(54) **RADIO COMMUNICATION DEVICE**

(71) Applicant: **ICOM INCORPORATED**, Osaka (JP)

(72) Inventor: **Tetsuro Nishida**, Osaka (JP)

(73) Assignee: **ICOM INCORPORATED**, Osaka-Shi (JP)

(**) Term: **15 Years**

(21) Appl. No.: **29/553,858**

(22) Filed: **Feb. 5, 2016**

(30) **Foreign Application Priority Data**

Aug. 6, 2015 (JP) D2015-017491

(51) **LOC (10) Cl.** **14-03**

(52) **U.S. Cl.**
USPC **D14/155**

(58) **Field of Classification Search**

USPC D14/167, 154, 168, 188, 496, 156, 160,
D14/161, 162, 163, 164, 165, 158, 159,
D14/341, 346, 342, 345, 137, 155, 218,
D14/225; D16/208; D26/38; 455/351,
455/350; D10/104.1, 106, 65; D3/207
CPC H04B 1/385; H04M 1/6091; H04M 1/6066
See application file for complete search history.

(56) **References Cited**

U.S. PATENT DOCUMENTS

D184,776 S * 3/1959 Solomon D14/155
D255,882 S * 7/1980 Kim D10/121
D294,830 S * 3/1988 Umehara D10/104.1
D327,886 S * 7/1992 Yan D14/137
D329,431 S * 9/1992 Wood D14/155

D452,225 S * 12/2001 Becker D14/155
D471,172 S * 3/2003 Greenway D14/155
D589,490 S * 3/2009 Thusbass D14/155
D742,369 S * 11/2015 Nishizawa D14/257
D747,695 S * 1/2016 Breines D14/155

FOREIGN PATENT DOCUMENTS

JP D1124584 S 10/2001
JP D1362630 S 6/2009
JP D1391431 S 6/2010

* cited by examiner

Primary Examiner — Austin Murphy

(74) *Attorney, Agent, or Firm* — Birch, Stewart, Kolasch & Birch, LLP

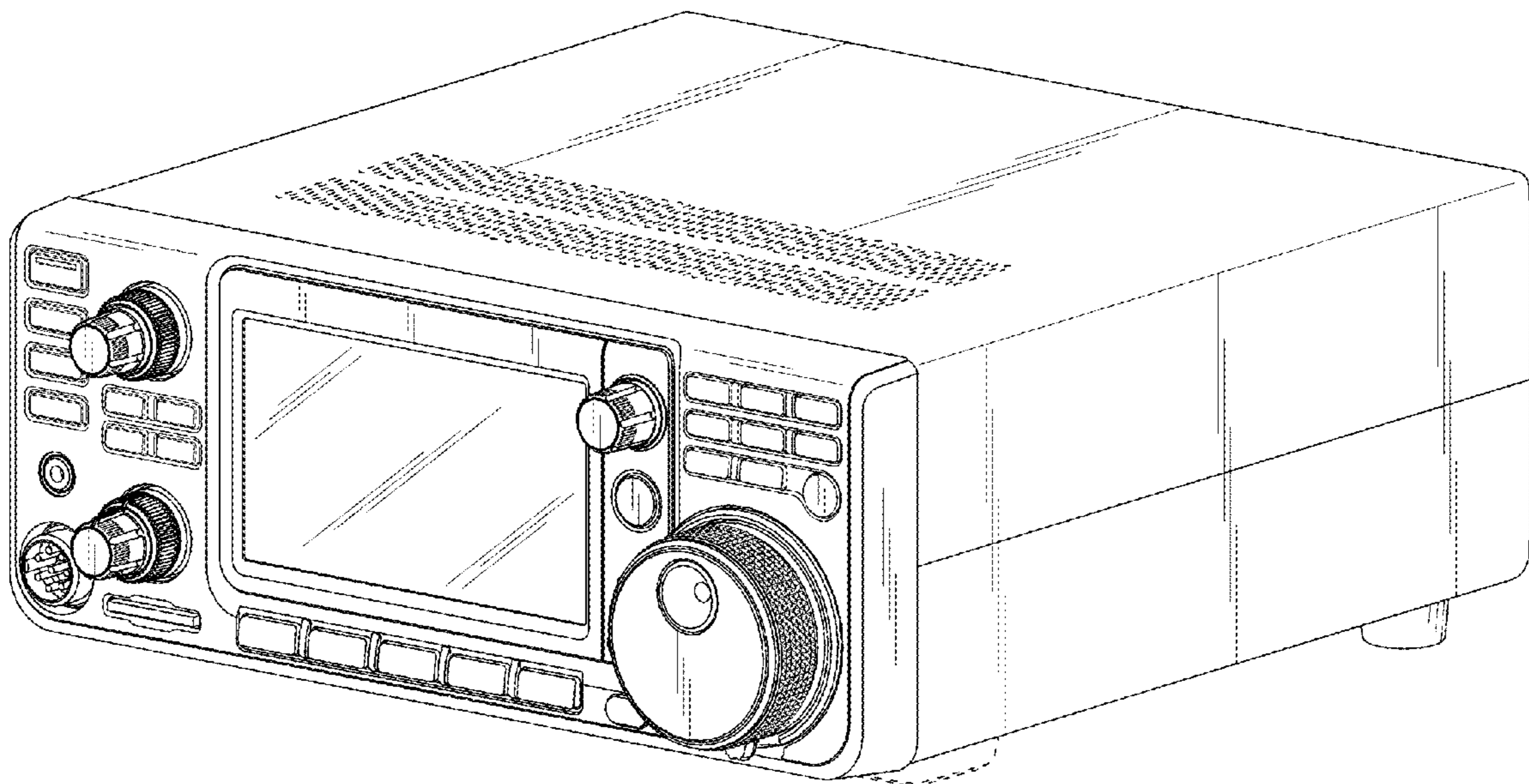
(57) **CLAIM**

The ornamental design for a radio communication device, as shown and described.

DESCRIPTION

FIG. 1 is a perspective view of the radio communication device;
FIG. 2 is a front view of the radio communication device;
FIG. 3 is a rear view of the radio communication device;
FIG. 4 is a left side view of the radio communication device;
FIG. 5 is a right side view of the radio communication device;
FIG. 6 is a top view of the radio communication device; and,
FIG. 7 is a bottom view of the radio communication device.
The broken lines depict portions of the radio communication device in which the design is embodied that are not considered part of the claimed design.

1 Claim, 7 Drawing Sheets



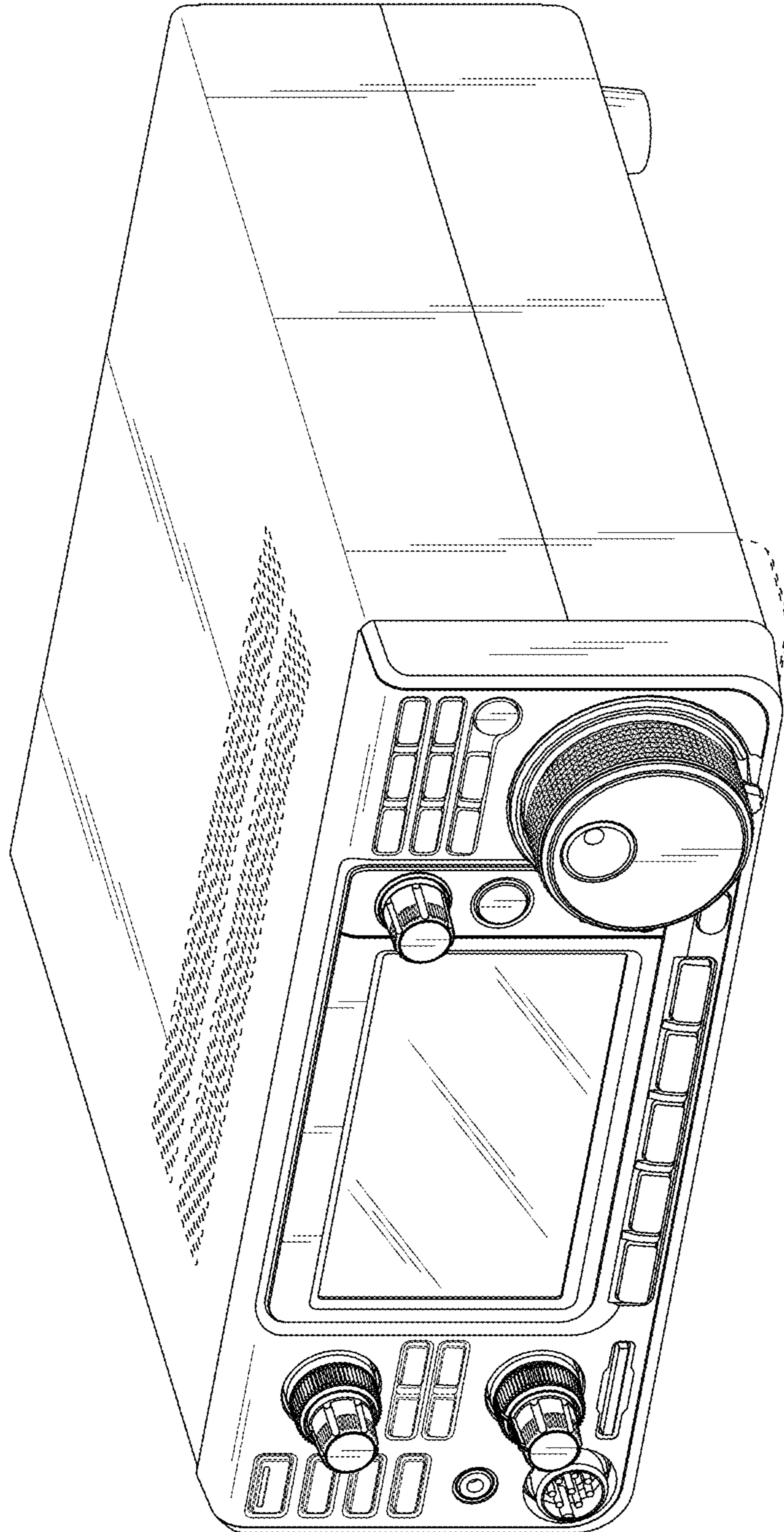


FIG.1

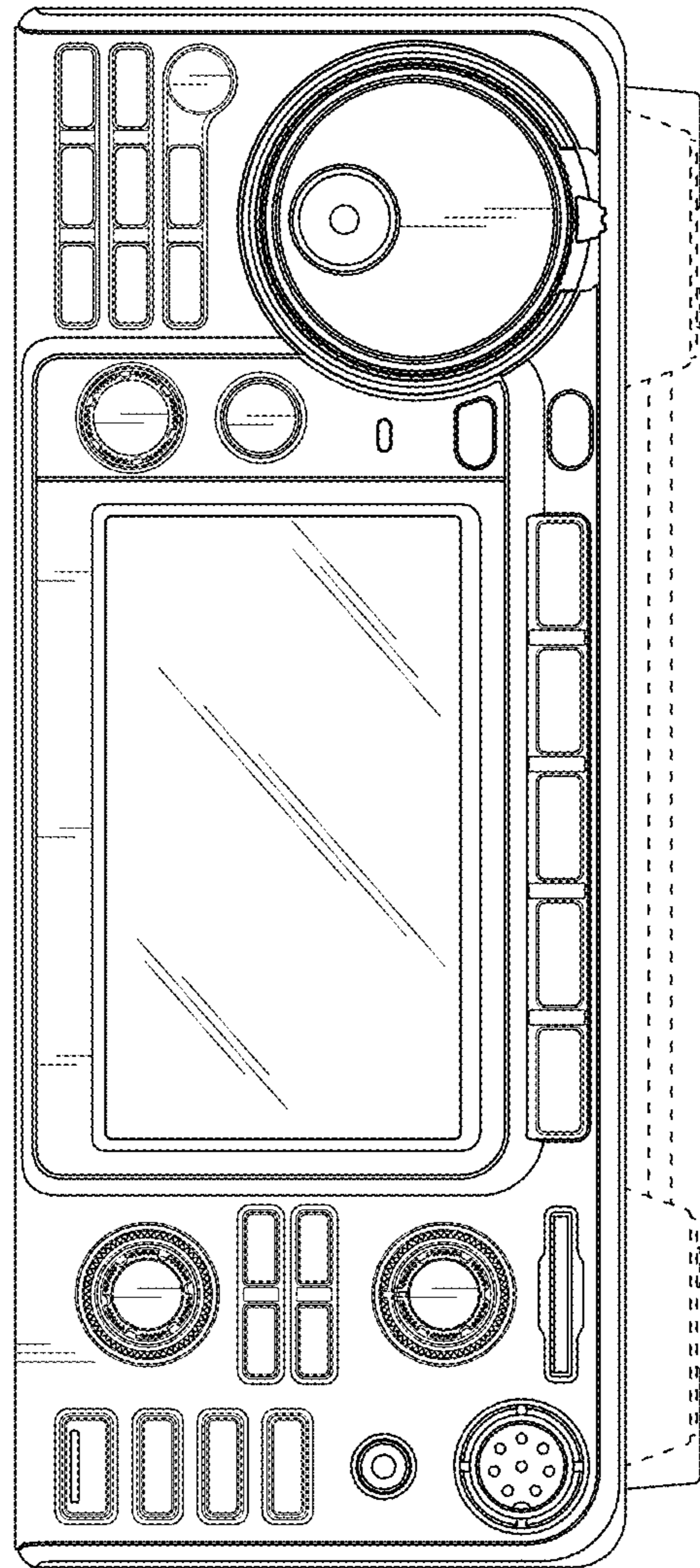


FIG. 2

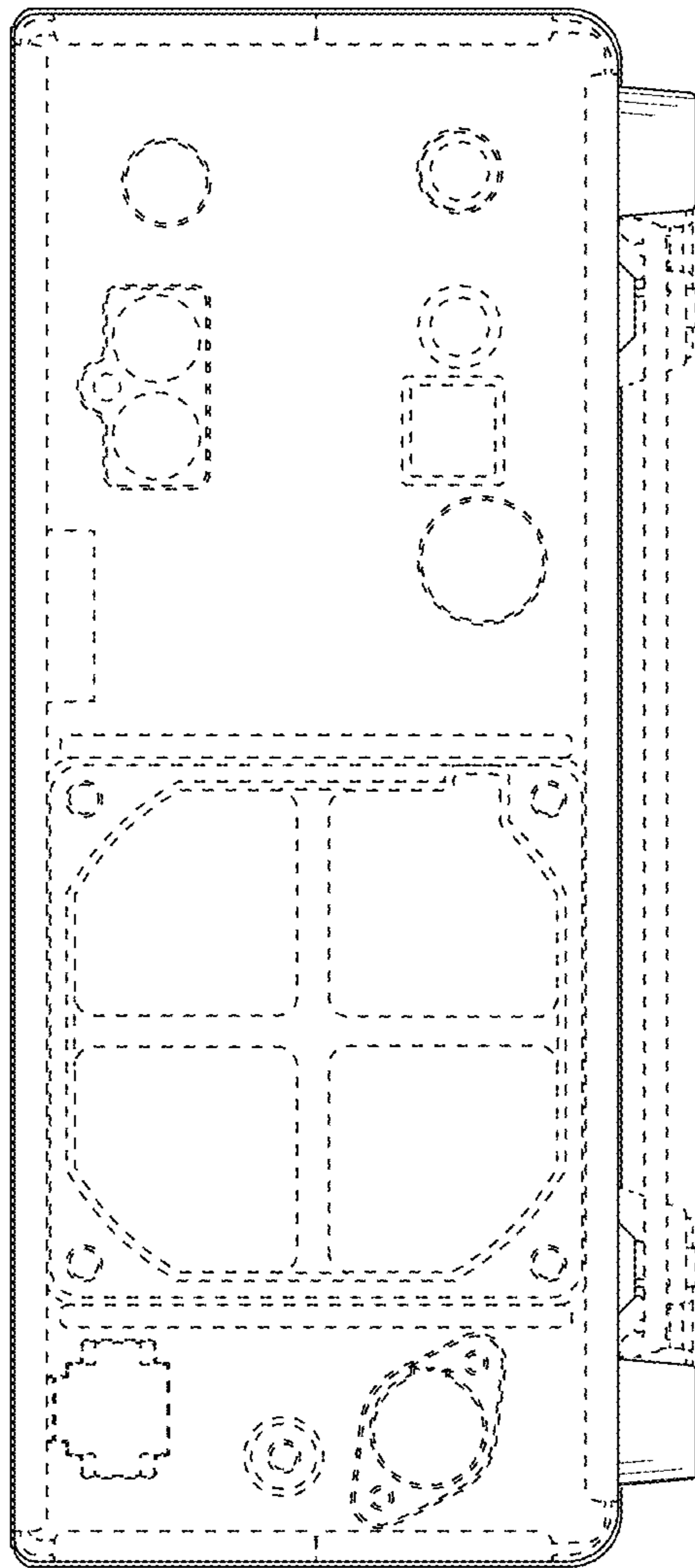
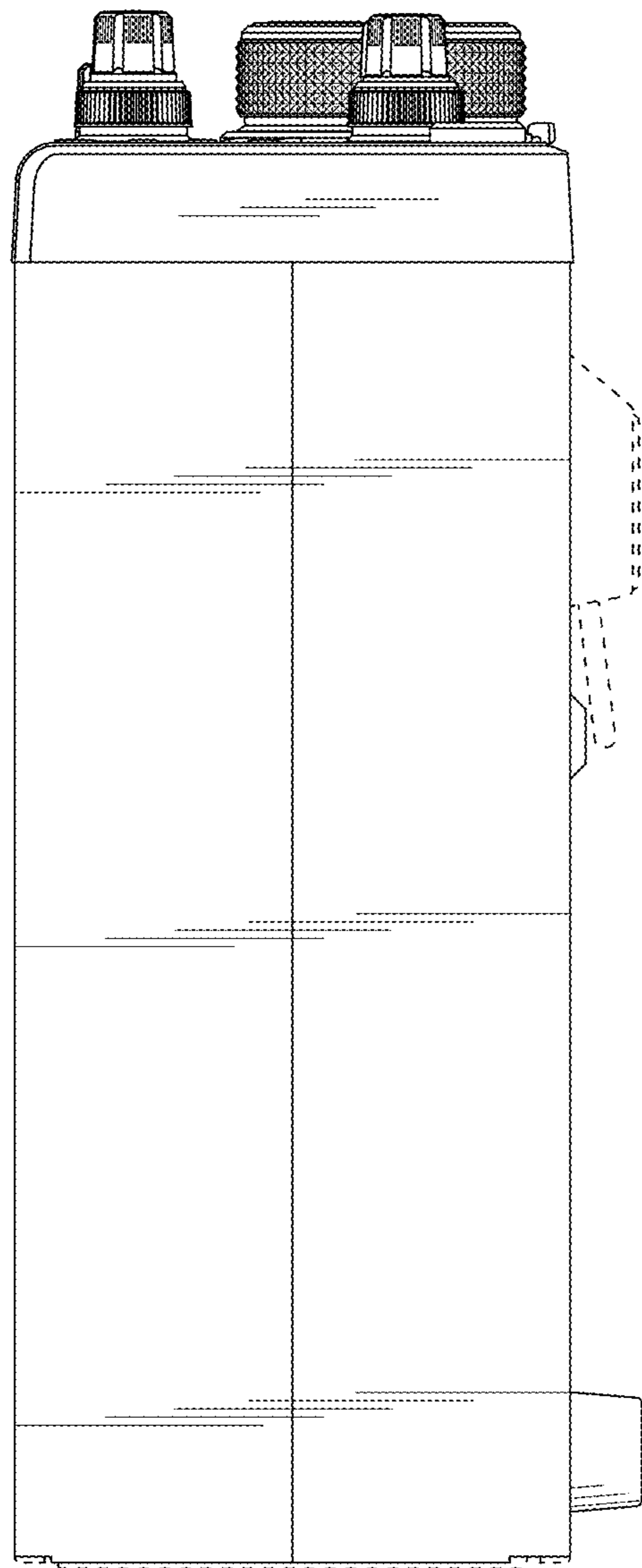


FIG. 3

FIG.4



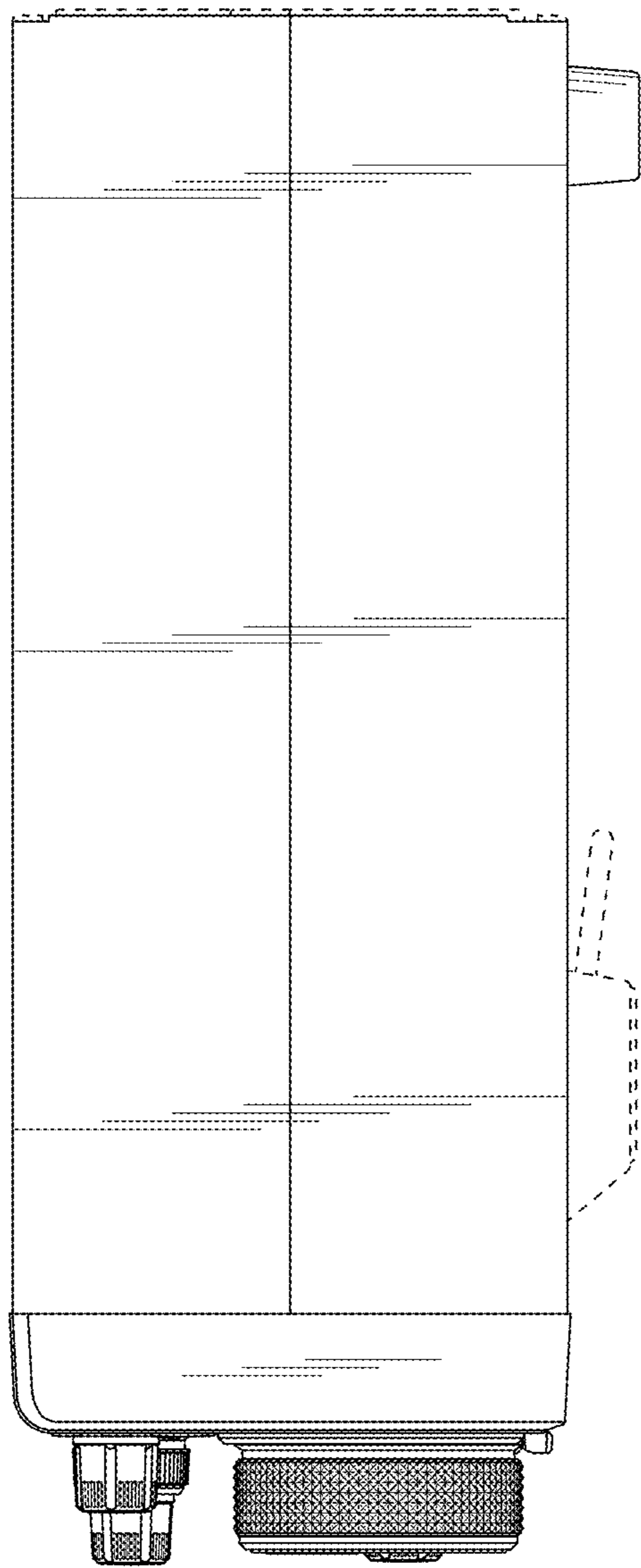


FIG. 5

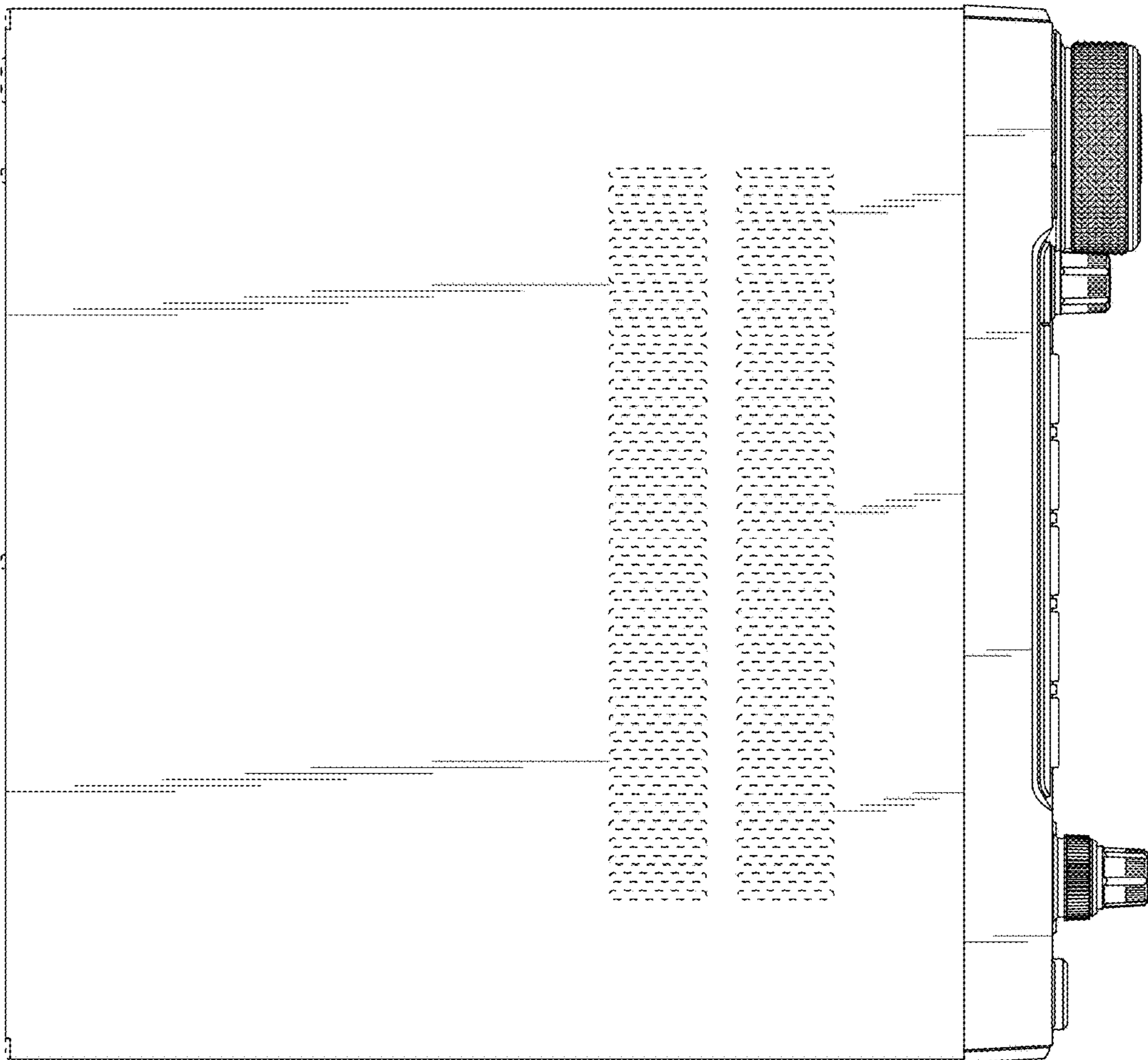


FIG.6

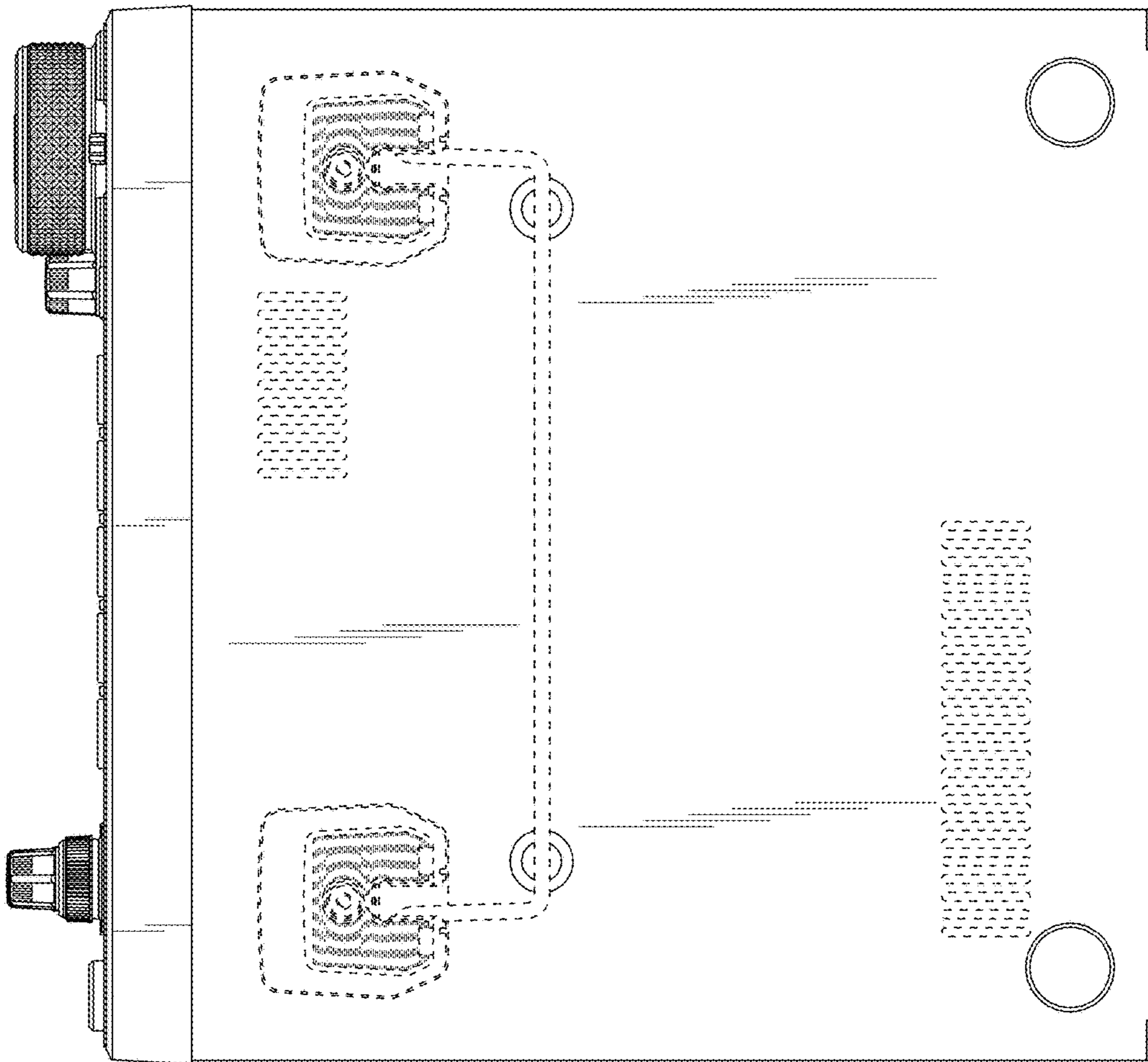


FIG.7