



US00D792362S

(12) **United States Design Patent** (10) **Patent No.:** **US D792,362 S**
Maxwell et al. (45) **Date of Patent:** **** Jul. 18, 2017**

(54) **TOUCH SCREEN UNIT OF A VIDEO PHONE SET**

1/72527; H04M 2201/50; H04M 2250/20;
H04N 1/00106; H04N 1/00302; H04N
1/00305; H04N 1/00307; H04N
2007/145; H04N 5/2253; H04N 7/14;
H04N 7/142

(71) Applicant: **SORENSEN IP HOLDINGS, LLC**,
Salt Lake City, UT (US)

See application file for complete search history.

(72) Inventors: **Conrad Arlo Maxwell**, Herriman, UT
(US); **Eric V. Winsor**, West Jordan, UT
(US); **Mark D. Nelson**, West Jordan,
UT (US); **Merle L. Walker**, Sandy, UT
(US); **Brent Carlen Giles**, Salt Lake
City, UT (US); **Elie Mathias Monge**,
San Francisco, CA (US); **Sean Patrick
Murphy**, San Francisco, CA (US);
Shannon Colleen Fong, San Francisco,
CA (US); **Alice Viola Pintus**, Milan
(IT); **Thomas Mitchell Dair**, Lafayette,
CA (US)

(56)

References Cited

U.S. PATENT DOCUMENTS

D150,251 S	7/1948	Pettigrew	
4,368,359 A	1/1983	Genaro et al.	
D278,531 S	4/1985	McGarvey et al.	
D285,436 S	9/1986	Klucznik et al.	
D287,964 S	1/1987	Perkins	
D308,680 S *	6/1990	Raggi	D14/149
D309,304 S	7/1990	Takada et al.	
D309,898 S	8/1990	Azpeitia Ortiz de Arri	
D313,800 S	1/1991	Appleby	
5,008,924 A	4/1991	Guichard et al.	
D331,056 S	11/1992	Yu	
D339,131 S *	9/1993	Desbarats	D14/147
D342,731 S	12/1993	Wicks	
D348,459 S	7/1994	Yamagishi et al.	
D354,061 S	1/1995	Desbarats	
5,412,417 A	5/1995	Tozuka	
D362,662 S	9/1995	Baudot	
D403,678 S	1/1999	Hawley et al.	
D408,825 S	4/1999	Johnson et al.	
D426,820 S	6/2000	Zeitman	
6,141,052 A	10/2000	Fukumitsu et al.	
D436,937 S *	1/2001	Eddington	D14/130
D437,588 S	2/2001	Jauregui et al.	
D437,589 S	2/2001	Zeitman	
D458,599 S	6/2002	Nagase	
D460,066 S	7/2002	Hillenmayer	
D463,780 S	10/2002	Hung	
D469,072 S	1/2003	Dickinson	
D478,881 S	8/2003	O'Leary et al.	
D489,342 S	5/2004	Campbell et al.	
D504,889 S	5/2005	Andre et al.	
D530,715 S	10/2006	Wu	
D534,512 S	1/2007	Kim	
D549,676 S	8/2007	Pelletier	
D550,195 S	9/2007	Ju	
D554,613 S	11/2007	Hikino et al.	
D559,210 S	1/2008	Brown et al.	
D559,211 S	1/2008	Brown et al.	
D582,875 S	12/2008	Haspil et al.	
D585,397 S	1/2009	Hwang	
D585,399 S	1/2009	Hwang	

(73) Assignee: **SORENSEN IP HOLDINGS, LLC**,
Salt Lake City, UT (US)

(**) Term: **15 Years**

(21) Appl. No.: **29/565,050**

(22) Filed: **May 17, 2016**

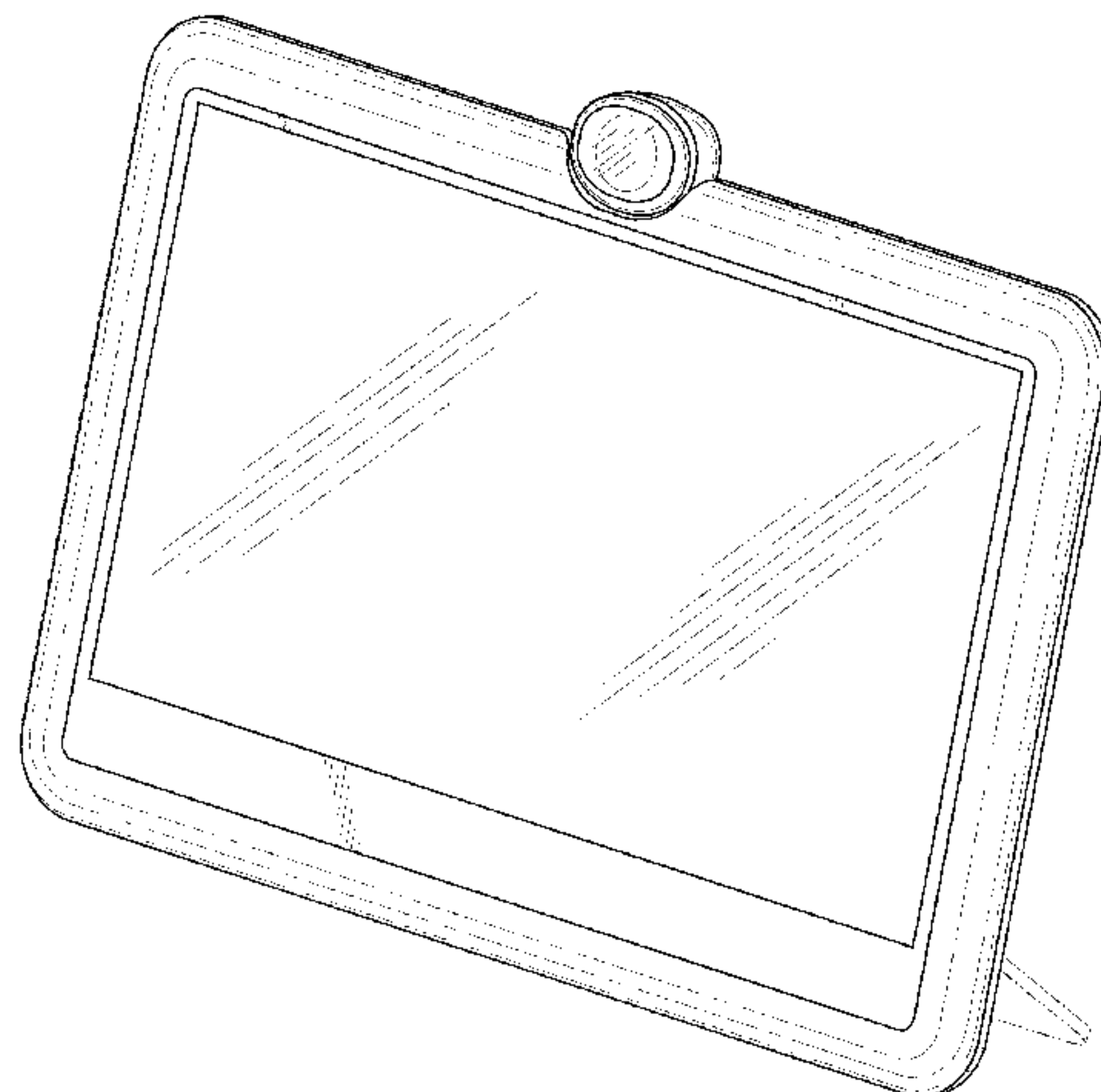
Related U.S. Application Data

(62) Division of application No. 29/518,646, filed on Feb.
25, 2015, now Pat. No. Des. 758,984.

(51) **LOC (10) Cl.** **14-03**

(52) **U.S. Cl.**
USPC **D14/130**

(58) **Field of Classification Search**
USPC ... D14/126, 129, 130, 140, 140.2, 142, 144,
D14/145, 148, 149, 151, 248, 341,
D14/356-358, 362, 365, 383-388, 467,
D14/502; D24/127, 128, 158, 160, 161,
D24/185, 186; D16/202, 203, 208, 241,
D16/242; D13/107, 108
CPC H04M 1/274525; H04M 1/27455; H04M
1/02; H04M 1/0202; H04M 1/0264;
H04M 1/0266; H04M 1/0295; H04M



D592,625 S 5/2009 Hwang
D600,242 S 9/2009 Yeh et al.
D609,662 S 2/2010 Noreng et al.
D614,601 S 4/2010 Kataoka et al.
D617,793 S * 6/2010 Chiang D14/341
D618,192 S 6/2010 Huang et al.
D629,771 S 12/2010 Haspil et al.
D637,985 S 5/2011 Andresen
D639,266 S * 6/2011 DeLorenzo D14/130
D639,268 S 6/2011 DeLorenzo et al.
D639,804 S 6/2011 Hwang et al.
D642,174 S 7/2011 Hirota
D650,767 S 12/2011 Lu et al.
D651,185 S 12/2011 Andresen
D656,137 S 3/2012 Chung et al.
D658,616 S 5/2012 Van Der Flier et al.
D678,272 S 3/2013 Groene et al.
D678,877 S 3/2013 Groene et al.
D692,042 S 10/2013 Dawes et al.
D696,246 S 12/2013 Kim
D696,247 S 12/2013 Kim
D696,248 S 12/2013 Lim et al.
D696,254 S 12/2013 Groene et al.
D696,662 S 12/2013 Song et al.
D697,911 S 1/2014 McManigal et al.
D698,780 S 2/2014 Lee
D698,785 S 2/2014 Canizares et al.
D698,787 S 2/2014 Kim
D699,719 S 2/2014 Akana et al.
D700,179 S 2/2014 Hong
D700,180 S 2/2014 Hong
D700,605 S 3/2014 Hong
D701,201 S 3/2014 Jiang
D702,228 S 4/2014 Park
D702,229 S 4/2014 Lim et al.
D702,231 S 4/2014 Park et al.
D702,233 S 4/2014 Lee et al.
D702,681 S 4/2014 Sugiyama et al.
D703,667 S 4/2014 Song et al.
D705,223 S 5/2014 Akana et al.
D705,776 S 5/2014 Groene et al.
D705,777 S 5/2014 Groene et al.
D705,778 S 5/2014 Groene et al.
D705,779 S 5/2014 Akana et al.
D706,774 S 6/2014 Park et al.
D706,775 S 6/2014 Akana et al.
D707,675 S 6/2014 Akana et al.
D708,608 S 7/2014 Sugiyama et al.
D710,349 S 8/2014 Han et al.
D710,843 S 8/2014 Akana et al.
D711,335 S 8/2014 Kim
D711,370 S 8/2014 Chen et al.
D711,371 S 8/2014 Chen et al.
D712,400 S 9/2014 Kim et al.
D712,402 S 9/2014 Park et al.
D712,403 S 9/2014 Park et al.
D712,404 S 9/2014 Yuan et al.
D712,896 S 9/2014 Lee et al.
D712,899 S 9/2014 Park et al.
D713,403 S 9/2014 Groene et al.
D713,842 S 9/2014 Myung et al.
D715,286 S 10/2014 Lee et al.
D715,794 S 10/2014 Zhou et al.
D715,795 S 10/2014 McManigal
D716,292 S 10/2014 Lai
D716,293 S 10/2014 Hwang et al.
D716,797 S 11/2014 Lai

D716,798 S 11/2014 Kurimoto et al.
D716,799 S 11/2014 Green et al.
D718,730 S 12/2014 Andresen et al.
D720,345 S 12/2014 Chu et al.
D720,745 S 1/2015 Yeo et al.
D720,746 S 1/2015 Chung
D723,173 S * 2/2015 Kim D14/371
D732,491 S 6/2015 Choi et al.
D751,205 S * 3/2016 Tan D24/158
D755,744 S * 5/2016 Williams, Jr. D14/126
D758,984 S * 6/2016 Maxwell D14/130
D769,839 S * 10/2016 Tani D14/130
D771,821 S * 11/2016 Hilbig D24/186
D772,836 S * 11/2016 Engelke D14/151
2002/0057334 A1 5/2002 Mukai et al.
2008/0055394 A1 3/2008 Shiue
2014/0197240 A1 7/2014 Mistkawi
2015/0109401 A1 4/2015 Kasatani et al.

OTHER PUBLICATIONS

Web Conferencing with HD Video_Highfive.

* cited by examiner

Primary Examiner — Susan Bennett Hattan

Assistant Examiner — Marie Fast Horse

(74) Attorney, Agent, or Firm — TraskBritt

(57)

CLAIM

The ornamental design for a touch screen unit of a video phone set, substantially as shown and described.

DESCRIPTION

FIG. 1 is a perspective view of a touch screen unit of a video phone set showing our new design.

FIG. 2 is a front view of the touch screen unit of the video phone set of FIG. 1.

FIG. 3 is a back view of the touch screen unit of the video phone set of FIG. 1.

FIG. 4 is a right side view of the touch screen unit of the video phone set of FIG. 1.

FIG. 5 is a left side view of the touch screen unit of the video phone set of FIG. 1.

FIG. 6 is a top view of the touch screen unit of the video phone set of FIG. 1; and,

FIG. 7 is a bottom view of the touch screen unit of the video phone set of FIG. 1.

The broken lines consisting of a long dash and two short dashes seen on the top, sides, and back surfaces of the touch-screen unit depict portions of the touch-screen unit of a video phone set that form no part of the claim, while the remaining broken lines in the figures showing the stand on the rear of the touch-screen and the cord extending from the rear of the touch-screen unit represent environmental structure and form no part of the claim.

1 Claim, 5 Drawing Sheets

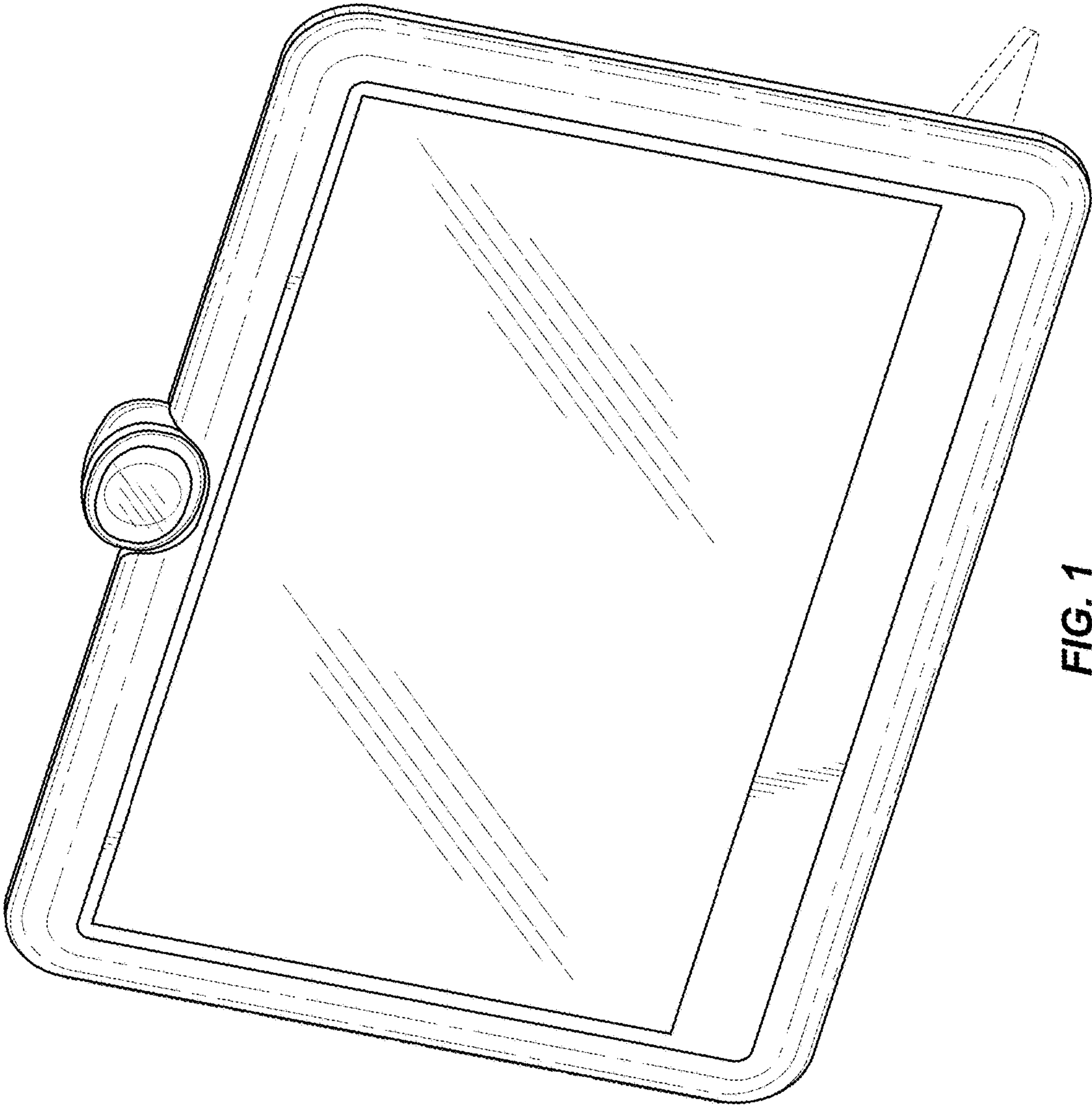


FIG. 1

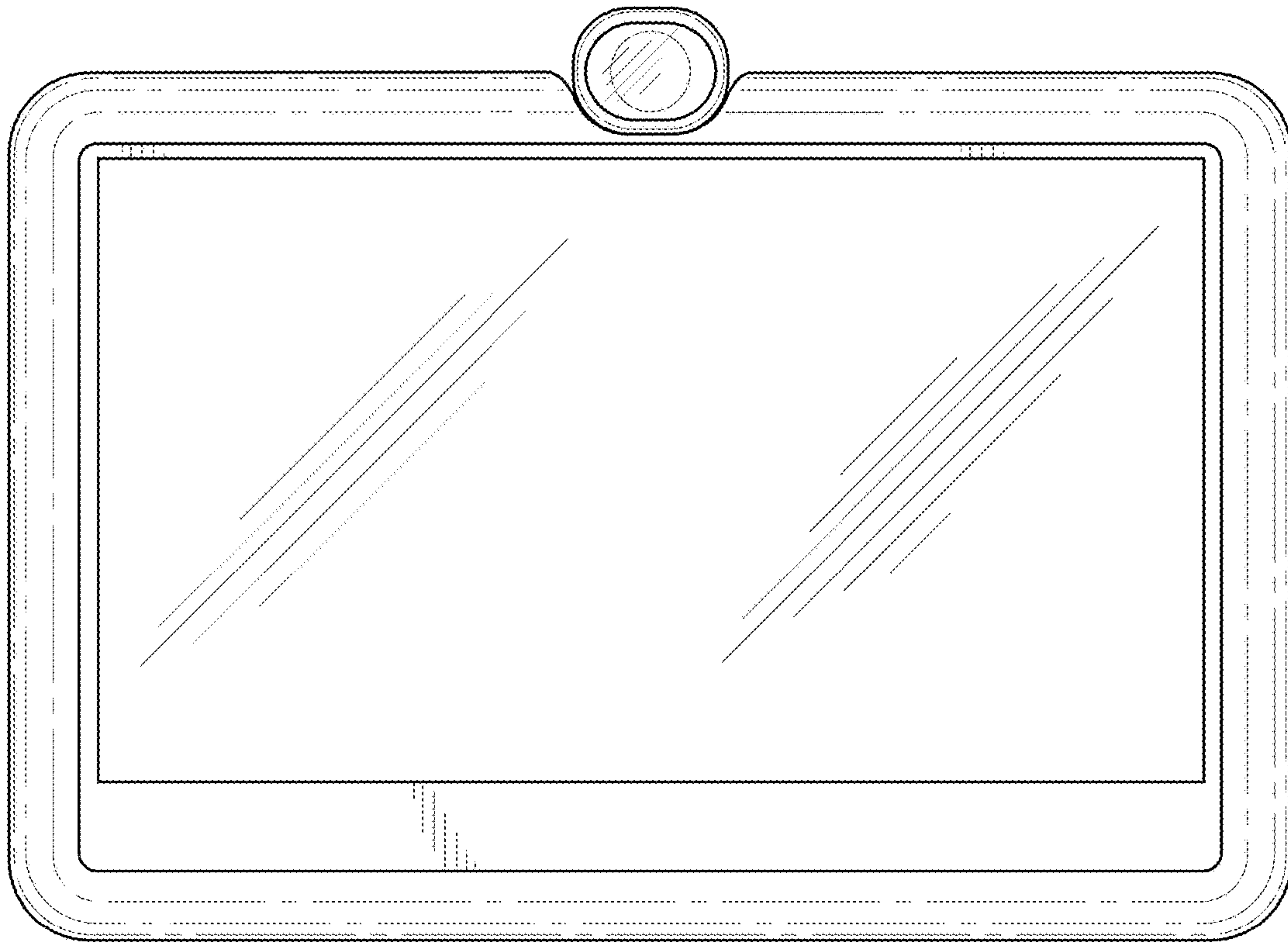


FIG. 2

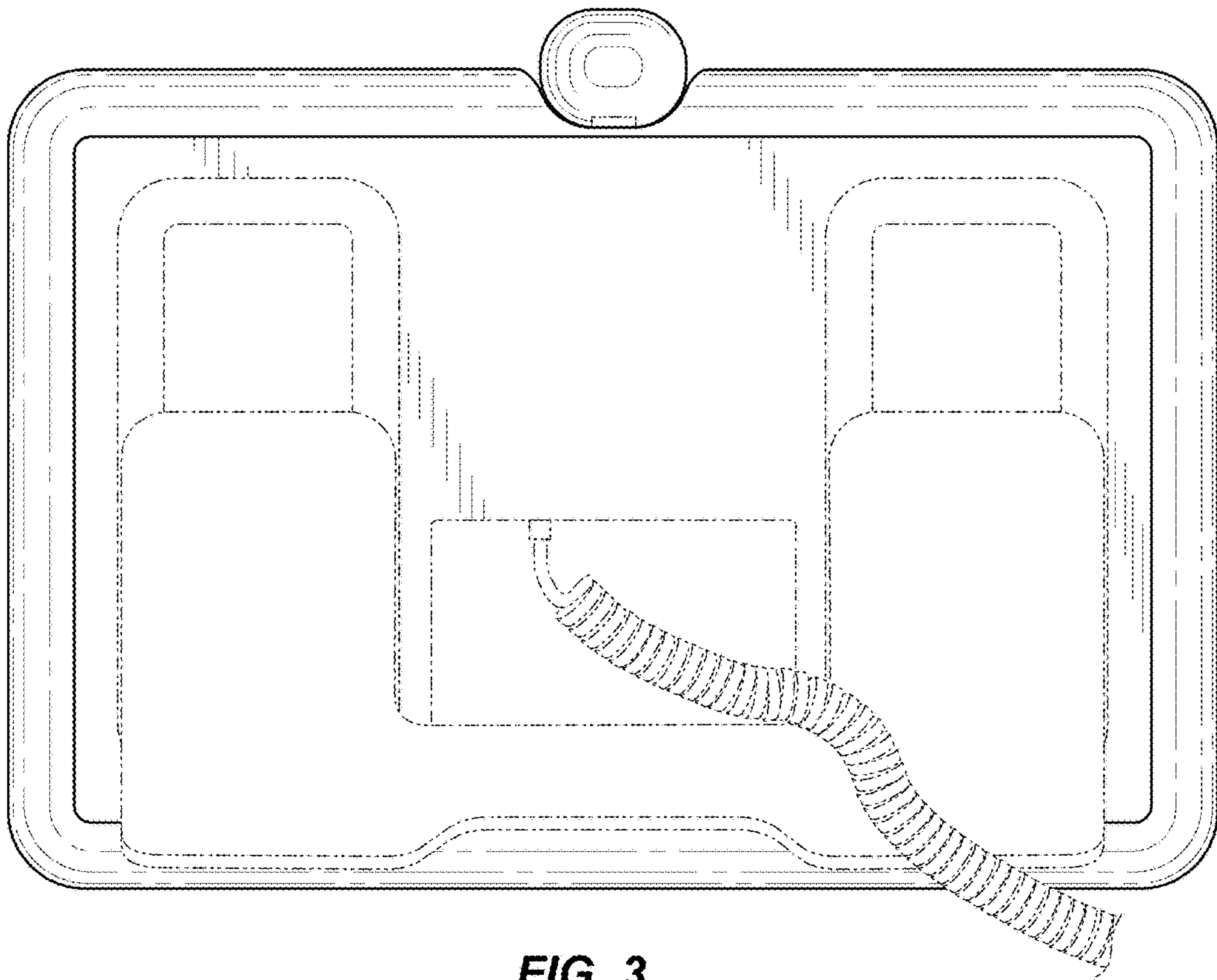


FIG. 3

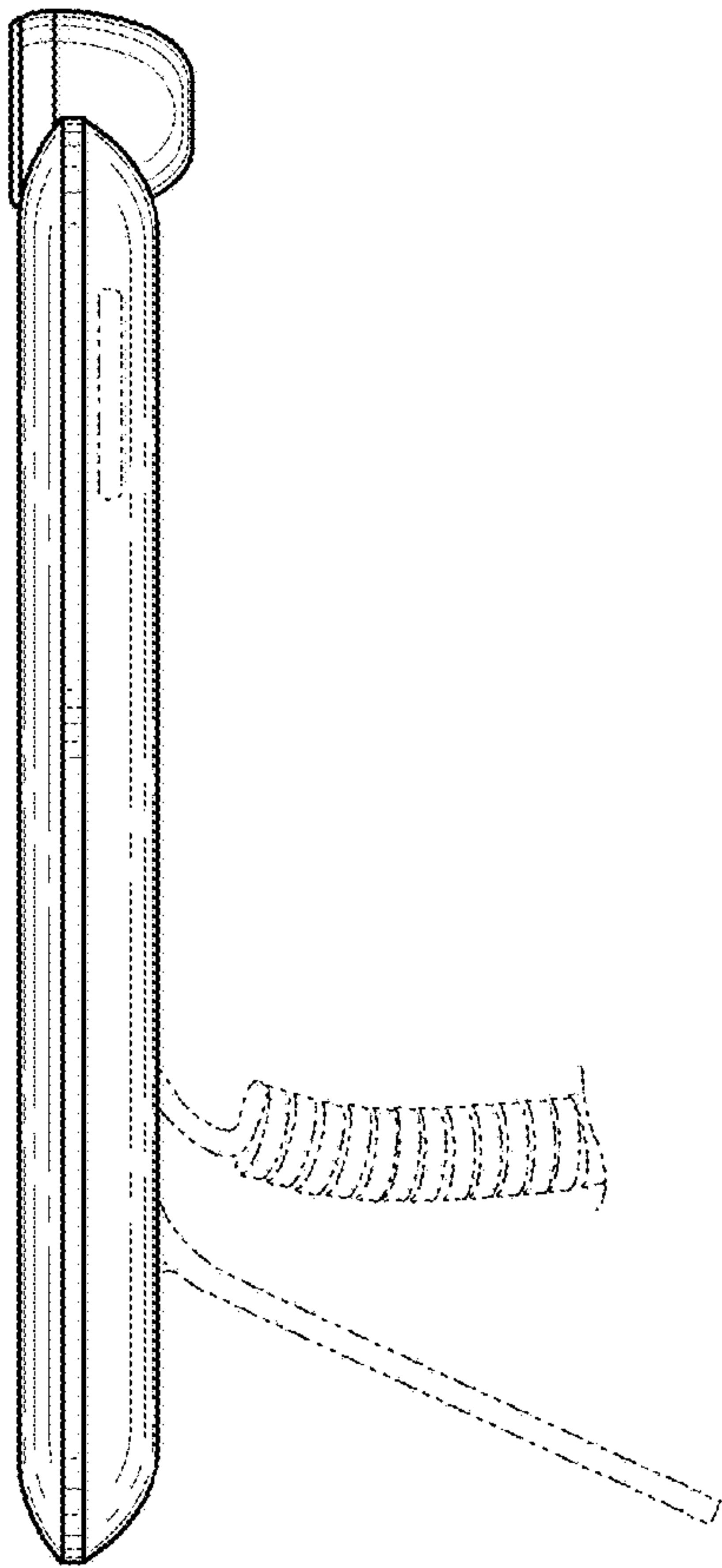


FIG. 4

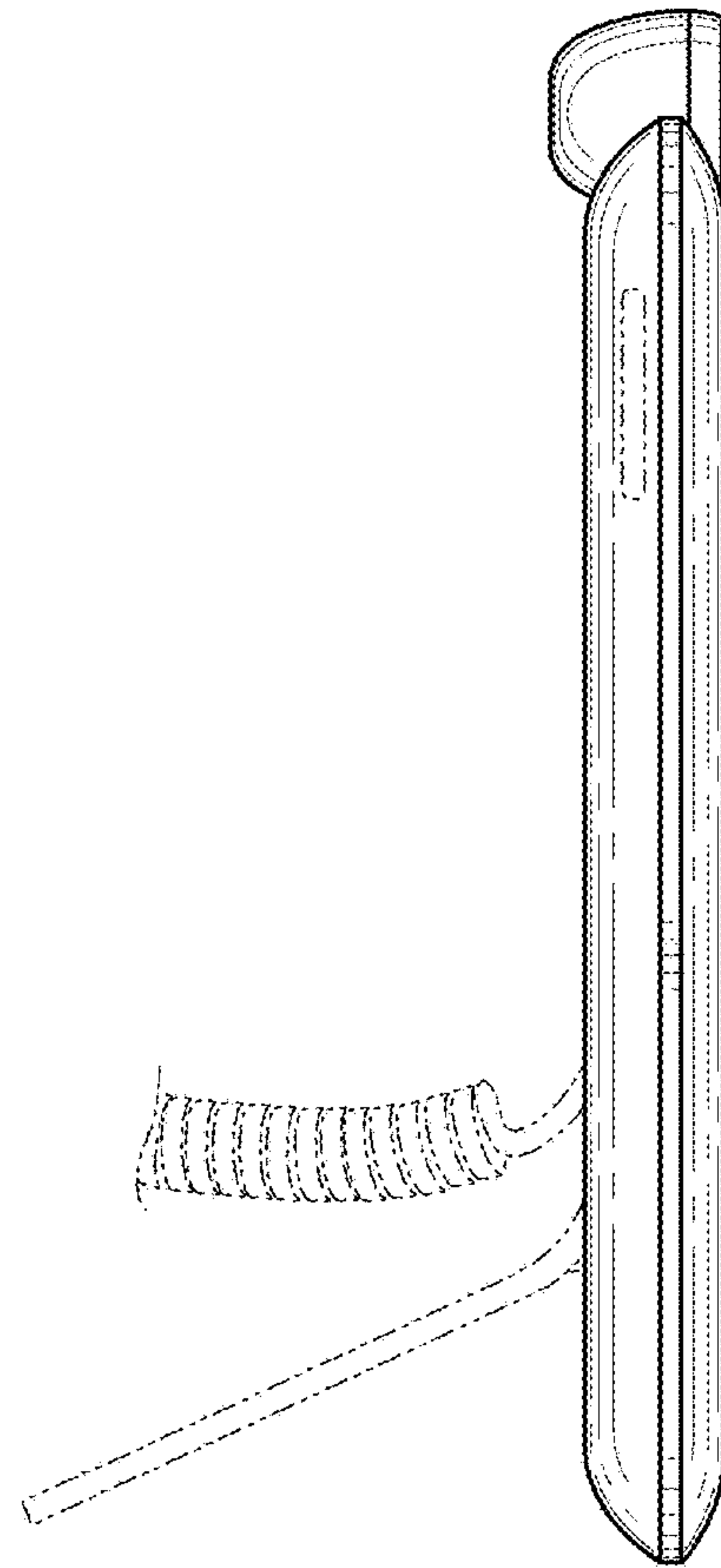


FIG. 5

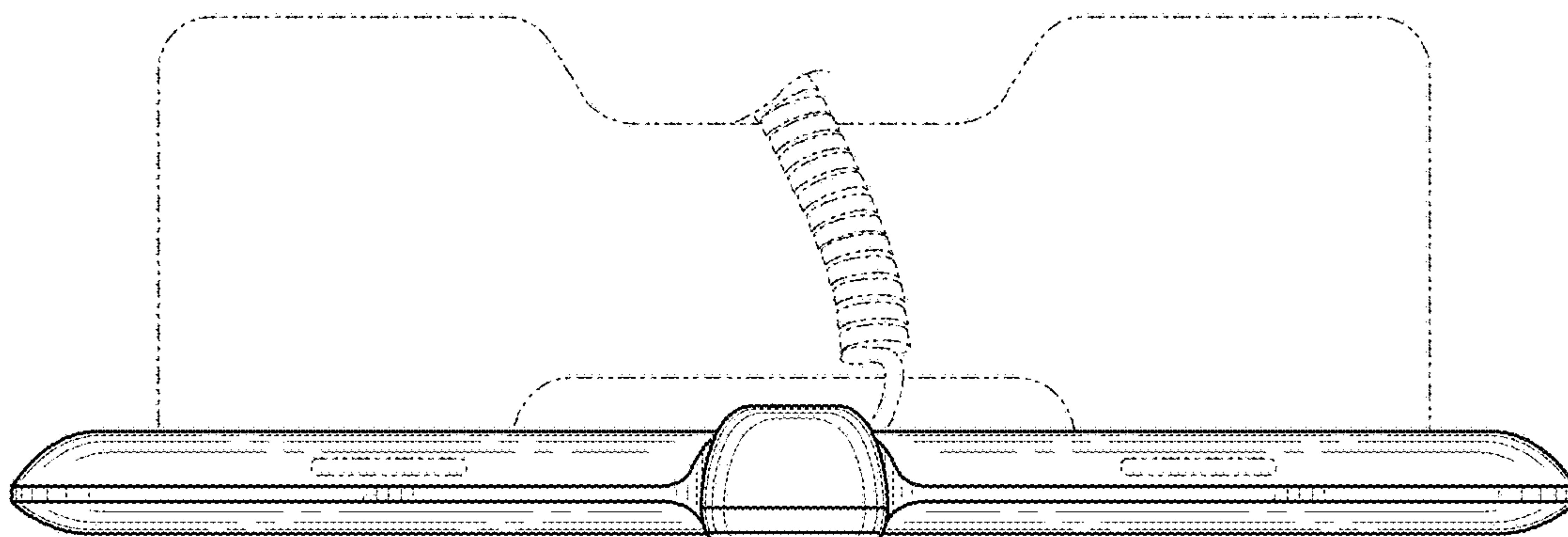


FIG. 6

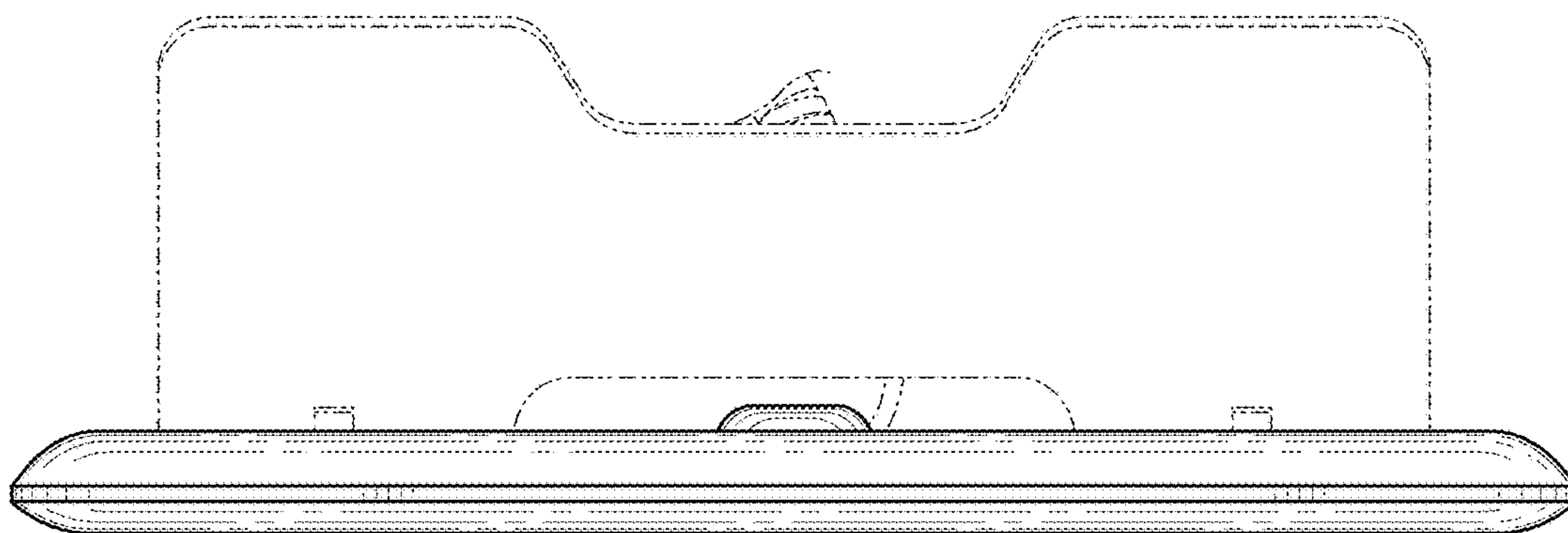


FIG. 7