



US00D792359S

(12) **United States Design Patent**  
**Nakagawa et al.**

(10) **Patent No.:** **US D792,359 S**  
(45) **Date of Patent:** **\*\* Jul. 18, 2017**

(54) **CONTROLLER**  
(71) Applicant: **SEIKO EPSON CORPORATION,**  
Tokyo (JP)  
(72) Inventors: **Ryoichi Nakagawa, Matsumoto (JP);**  
**Tomohide Kamiya, Matsumoto (JP)**  
(73) Assignee: **SEIKO EPSON CORPORATION,**  
Tokyo (JP)  
(\*\*) Term: **15 Years**  
(21) Appl. No.: **29/574,681**  
(22) Filed: **Aug. 18, 2016**

(30) **Foreign Application Priority Data**  
Feb. 19, 2016 (JP) ..... 2016-003563  
(51) **LOC (10) Cl.** ..... **14-03**  
(52) **U.S. Cl.**  
USPC ..... **D13/168; D14/218**  
(58) **Field of Classification Search**  
USPC ..... D13/162, 164, 168; D14/218, 372;  
D16/309  
CPC .... H03J 1/0025; H03J 9/00; H03J 9/02; H03J  
9/04; H03J 9/06; H01H 9/0235; H04B  
1/202; G02C 11/00; G02C 11/02; G02C  
11/04; G02C 11/10; G02B 27/017; G02B  
27/0172; G02B 27/0176  
See application file for complete search history.

(56) **References Cited**  
**U.S. PATENT DOCUMENTS**  
D389,826 S \* 1/1998 Cousins ..... D14/135  
5,722,762 A \* 3/1998 Soll ..... F21L 15/14  
362/105  
D433,411 S \* 11/2000 Kawashima ..... D14/372  
6,604,847 B2 \* 8/2003 Lehrer ..... F21L 14/00  
362/105  
D493,150 S \* 7/2004 Murtaugh ..... D13/168

6,762,885 B1 \* 7/2004 Ogasawara ..... G02B 27/0176  
345/8  
D494,144 S \* 8/2004 Guzman ..... D13/168  
D568,827 S \* 5/2008 Ikeda ..... D13/168  
D571,305 S \* 6/2008 Thursfield ..... D13/168  
D595,669 S \* 7/2009 Endo ..... D13/168  
D622,685 S \* 8/2010 Garra ..... D14/137  
8,123,352 B2 \* 2/2012 Matsumoto ..... G02B 27/0176  
351/114  
D661,282 S \* 6/2012 Tatara ..... D14/218  
D667,382 S \* 9/2012 Cosentino ..... D13/168  
D688,232 S \* 8/2013 Zhang ..... D14/218  
D701,496 S \* 3/2014 Namminga ..... D13/168  
D720,304 S \* 12/2014 Haug ..... D13/168  
D723,520 S \* 3/2015 Kato ..... D14/218  
D748,066 S \* 1/2016 Lee ..... D13/168  
D752,555 S \* 3/2016 Langhammer ..... D14/218

(Continued)

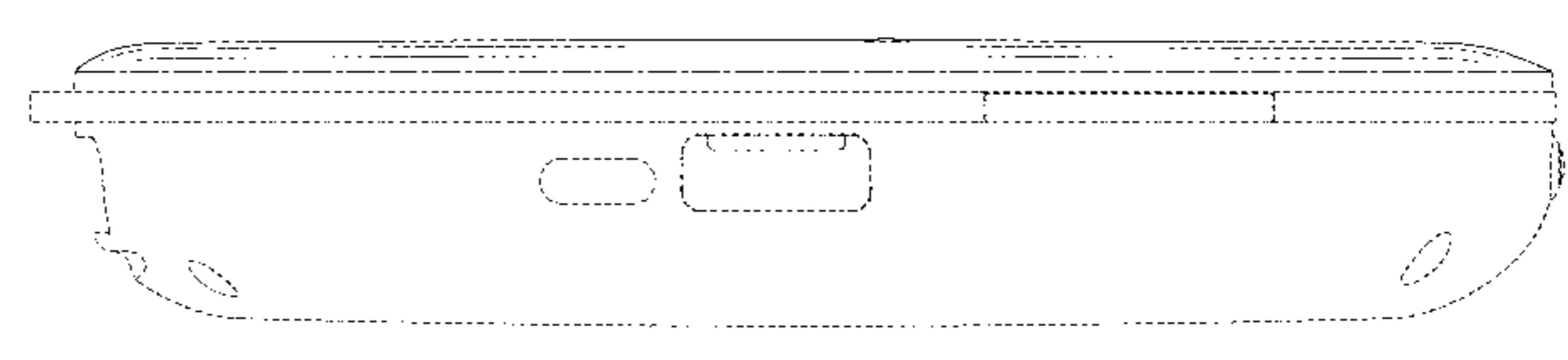
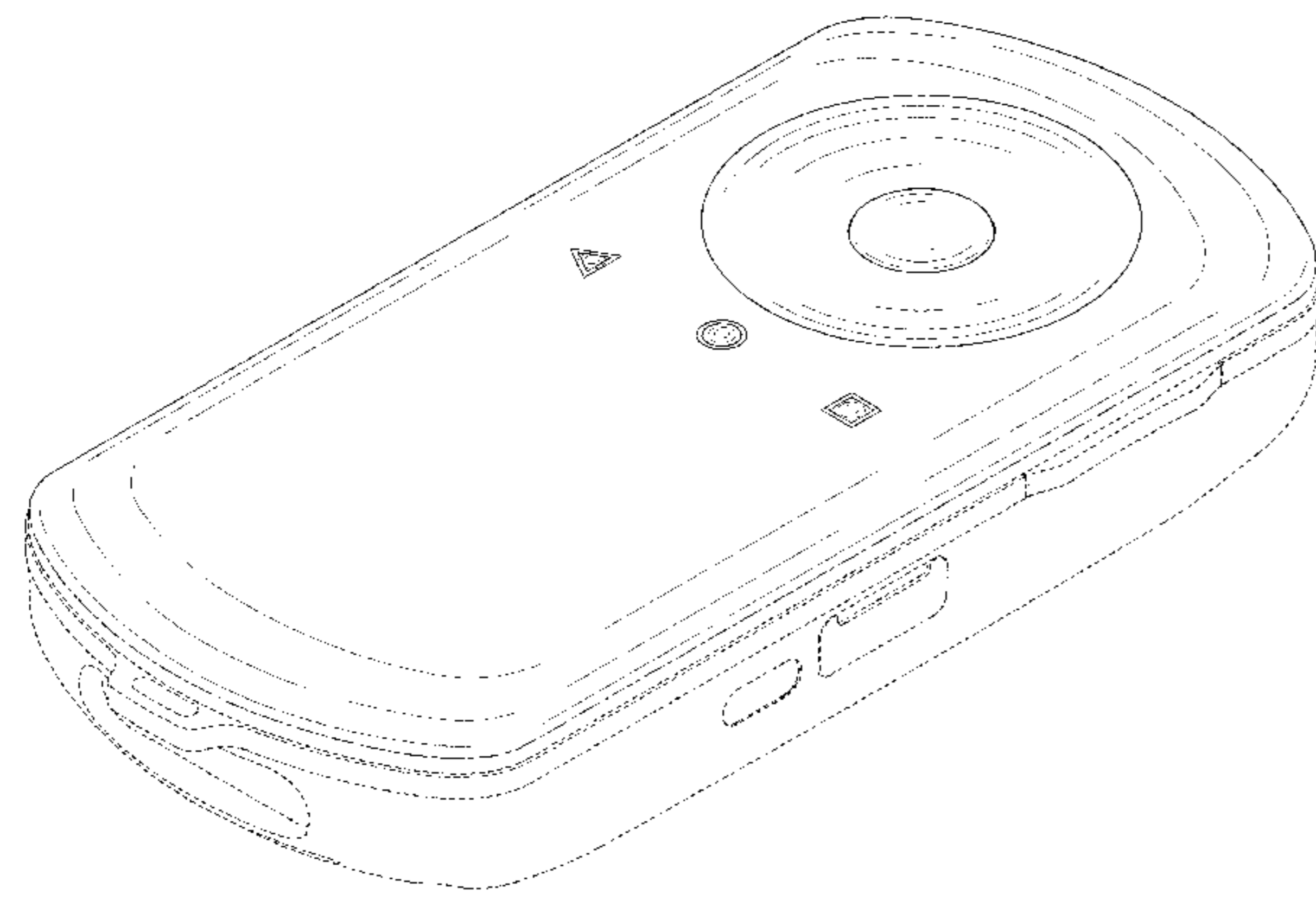
Primary Examiner — Selina Sikder

(57) **CLAIM**  
The ornamental design for a controller, as shown and described.

**DESCRIPTION**  
FIG. 1 is a front, top and right side perspective view of a controller showing our new design;  
FIG. 2 is a rear, bottom and left side perspective view thereof;  
FIG. 3 is a front view thereof;  
FIG. 4 is a rear view thereof;  
FIG. 5 is a top plan view thereof;  
FIG. 6 is a bottom plan view thereof;  
FIG. 7 is a right side view thereof; and,  
FIG. 8 is a left side view thereof.

The features shown in broken lines in the drawings depict environmental subject matter only and form no part of the claimed design. The dash-dotted lines denote the boundary of the claim and form no part of the claimed design.

**1 Claim, 6 Drawing Sheets**



(56)

**References Cited**

## U.S. PATENT DOCUMENTS

D763,830 S \* 8/2016 Jones ..... D14/218  
D767,568 S \* 9/2016 McWilliam ..... D14/358  
D772,821 S \* 11/2016 Bristol ..... D13/168  
2005/0099798 A1\* 5/2005 Cugini ..... F21L 14/00  
362/105  
2007/0253588 A1\* 11/2007 Sanpei ..... G02C 11/10  
381/381  
2010/0007517 A1\* 1/2010 Andrews ..... G08C 17/02  
340/12.54  
2010/0238640 A1\* 9/2010 Yang ..... H04M 1/236  
361/811  
2010/0302502 A1\* 12/2010 Ahn ..... G02C 11/04  
351/158  
2011/0273365 A1\* 11/2011 West ..... G02B 27/0176  
345/8  
2014/0333773 A1\* 11/2014 Davis ..... H04N 5/2252  
348/158  
2015/0261013 A1\* 9/2015 Dobson ..... G02C 5/143  
351/43  
2016/0147072 A1\* 5/2016 Yamazaki ..... G06F 1/163  
345/8  
2016/0238842 A1\* 8/2016 Sendai ..... G02B 27/0176  
2016/0309143 A1\* 10/2016 Fu ..... H04N 13/0497  
2017/0011555 A1\* 1/2017 Li ..... G06T 1/60  
2017/0076589 A1\* 3/2017 Wengreen ..... G08C 17/02  
2017/0090198 A1\* 3/2017 Takagi ..... G02B 27/0172

\* cited by examiner

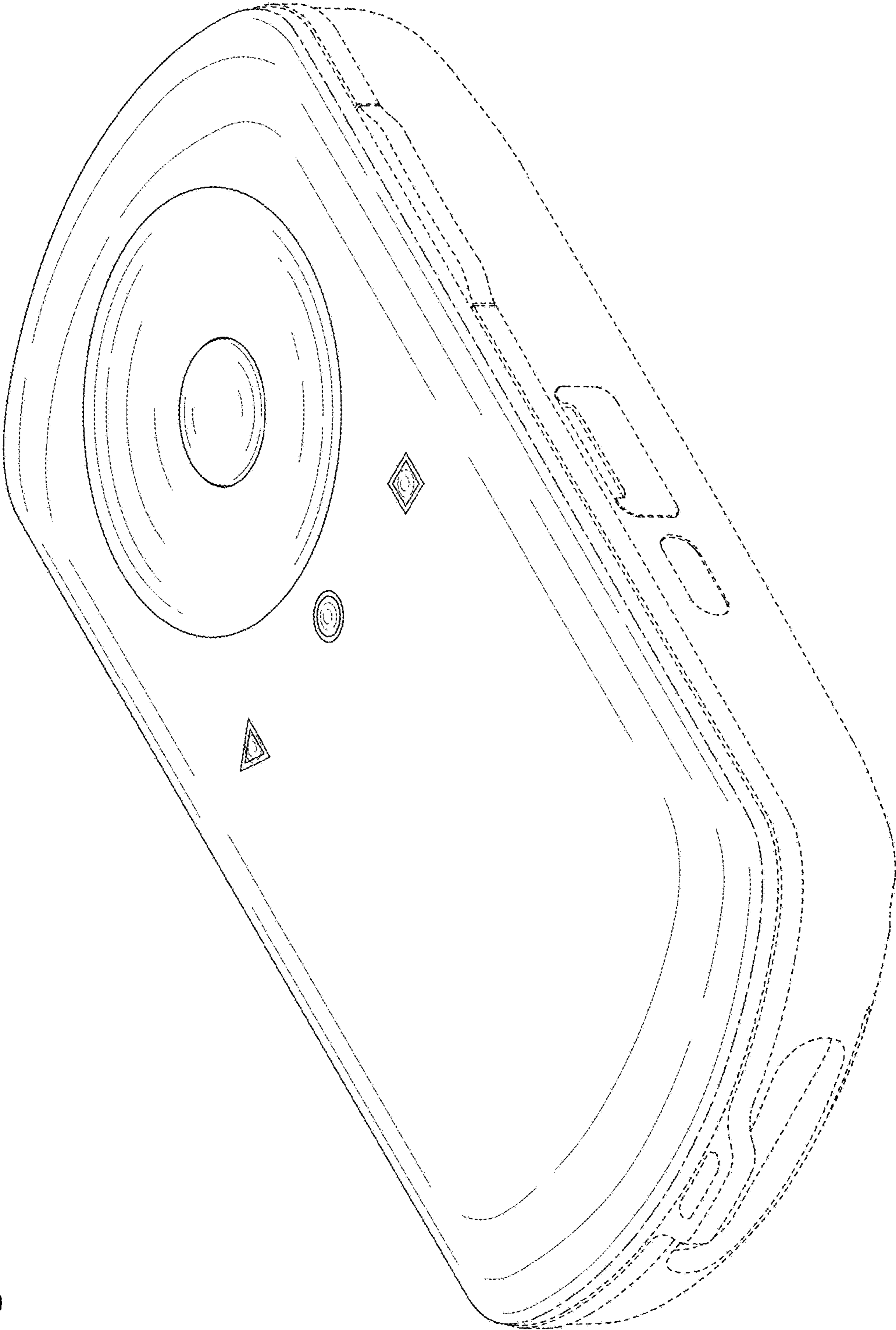


Fig.1

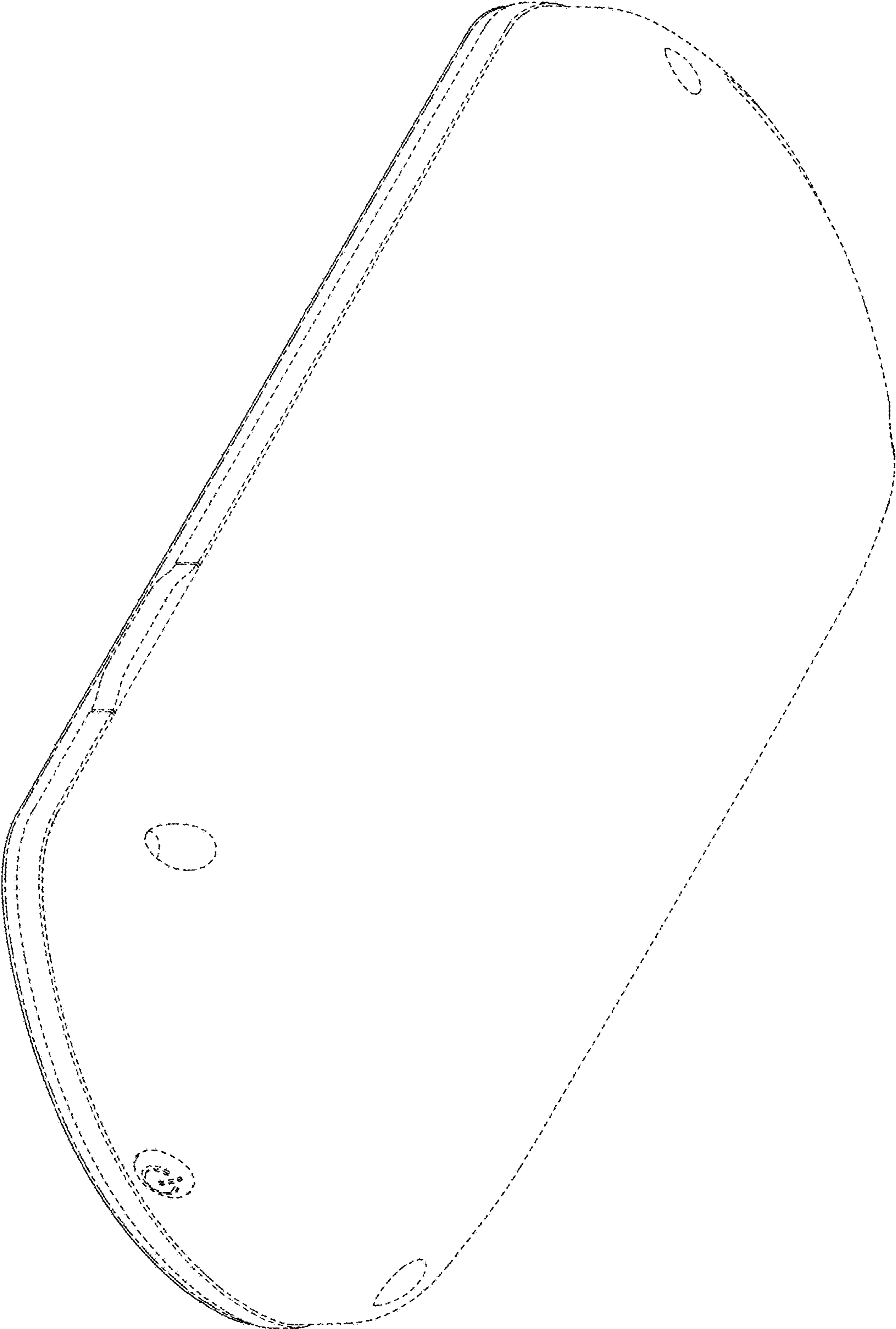


Fig.2

Fig.3

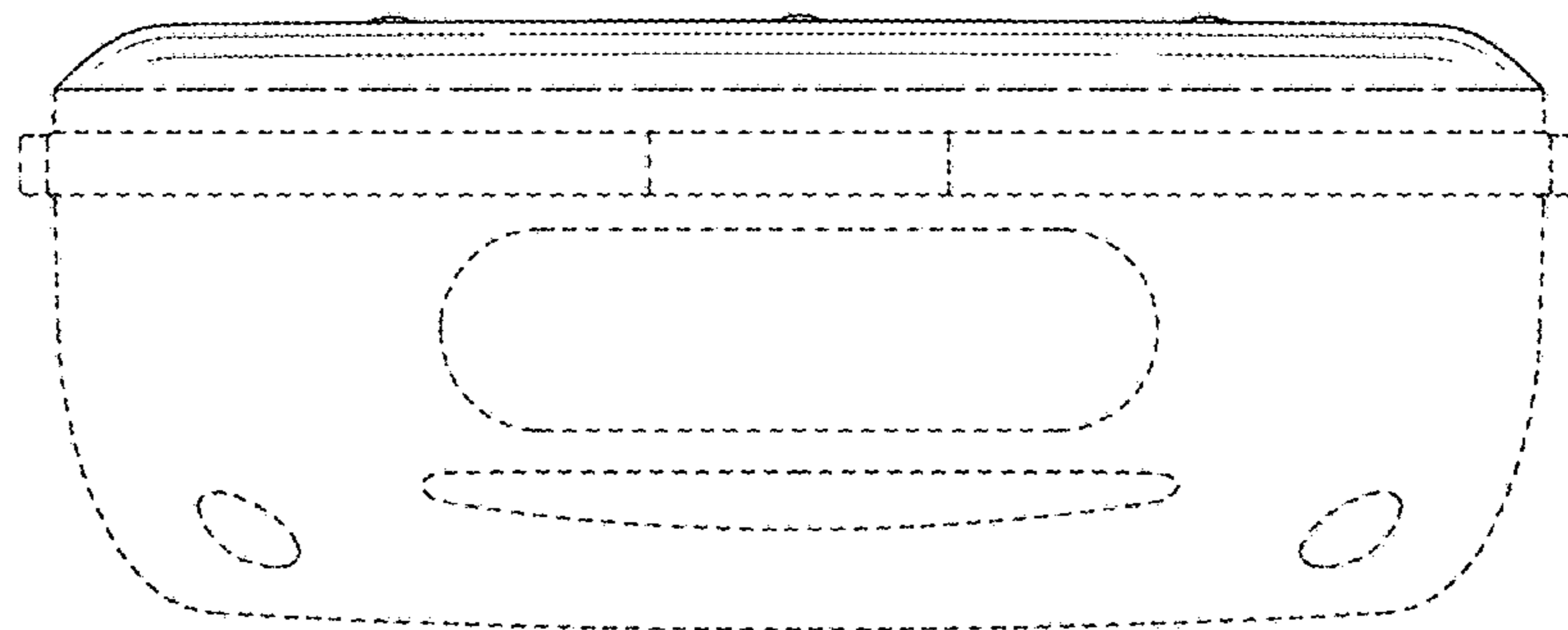


Fig.4

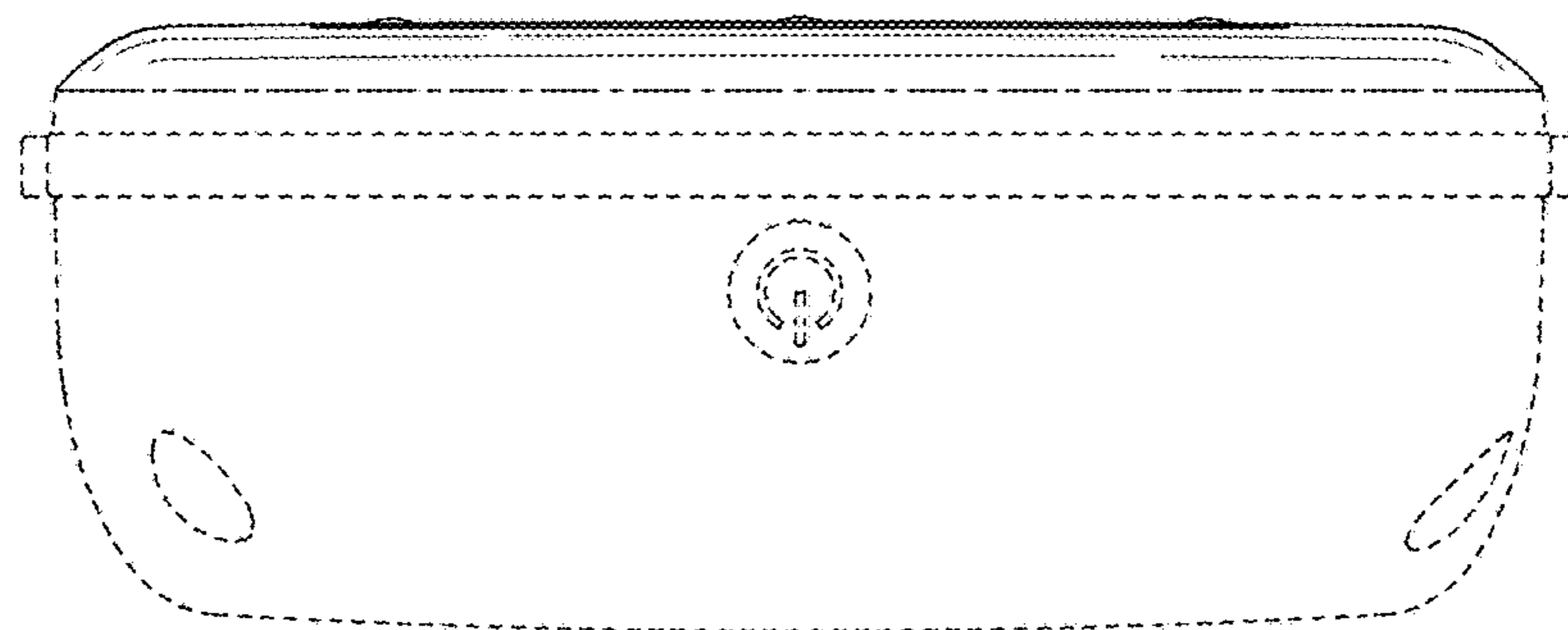




Fig.5

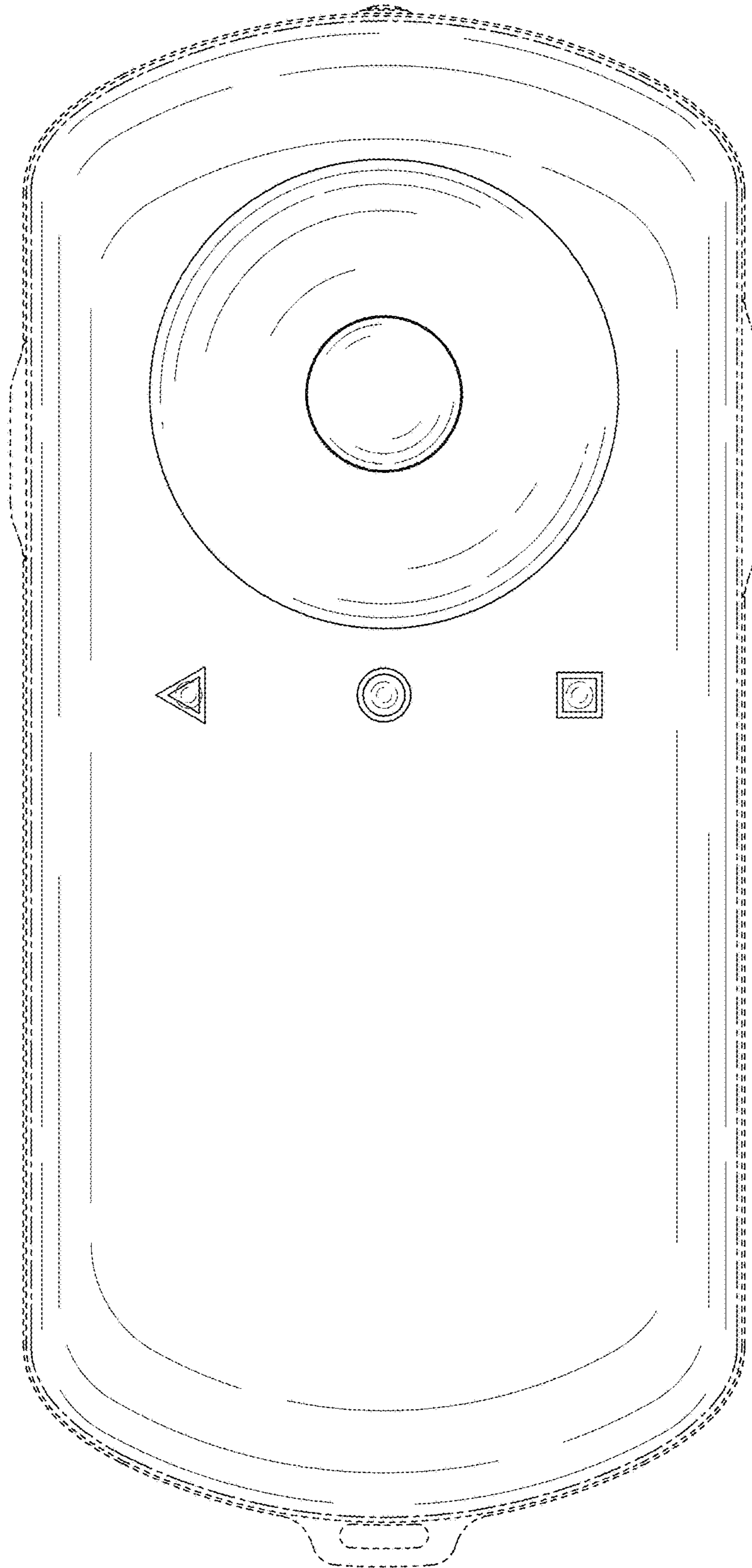


Fig.6

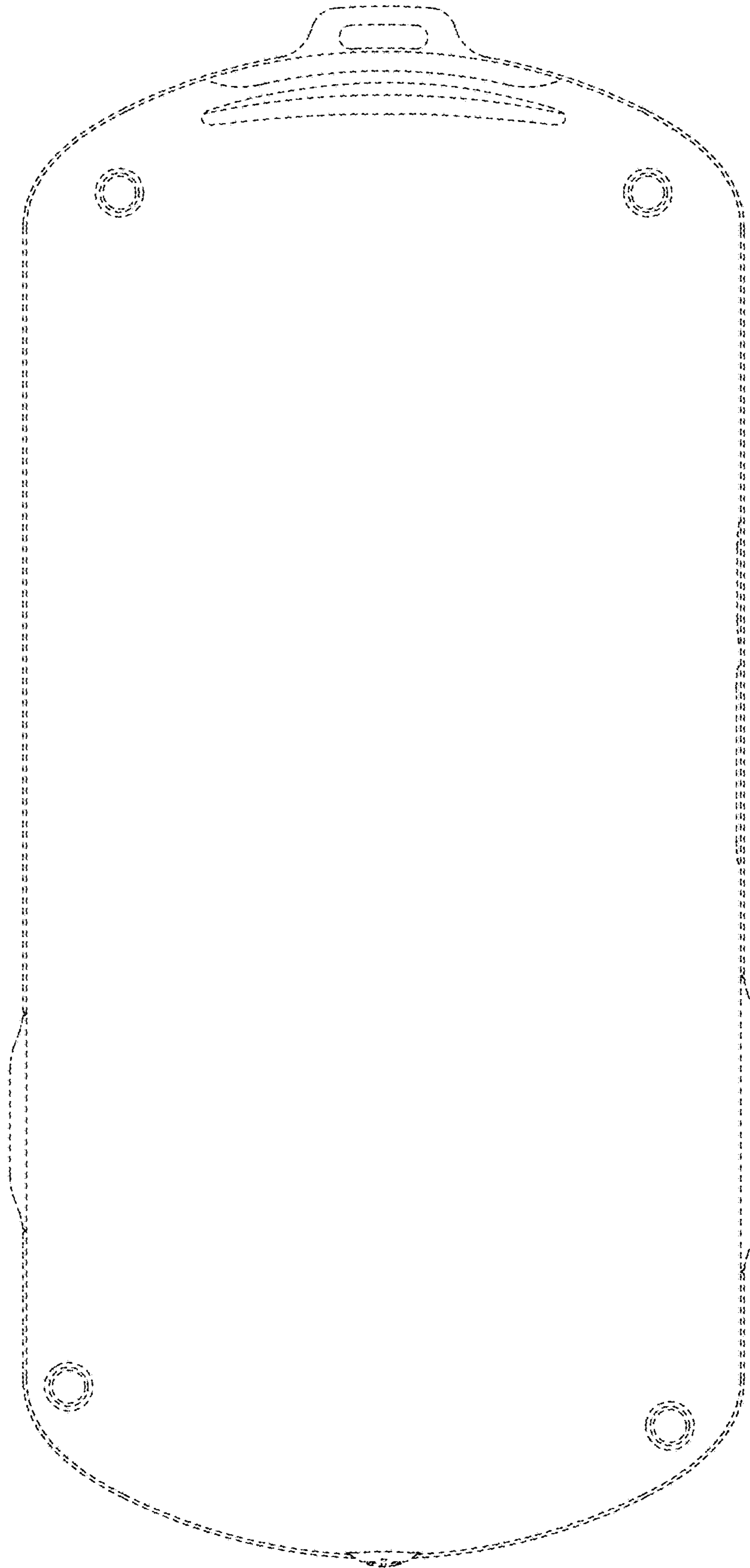


Fig.7

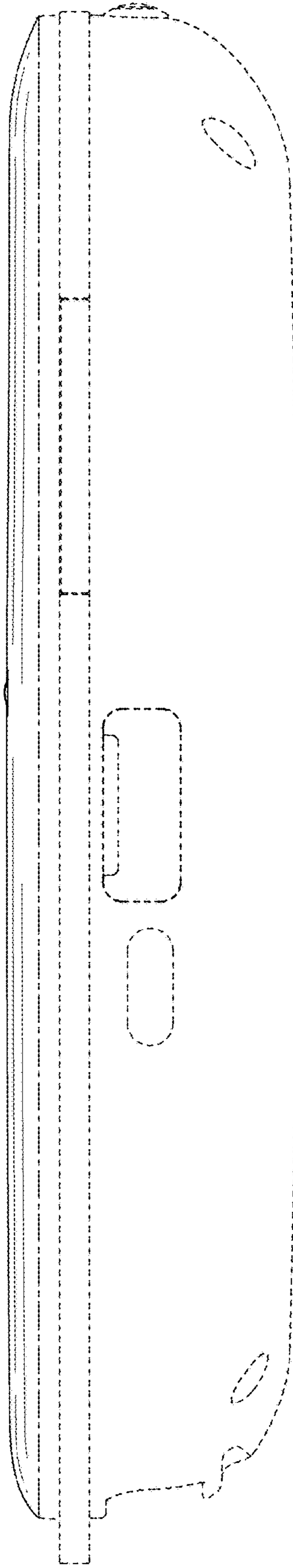


Fig.8

