



US00D792354S

(12) **United States Design Patent**
Lin

(10) **Patent No.:** **US D792,354 S**

(45) **Date of Patent:** **** Jul. 18, 2017**

(54) **CONTROL BOX**

(71) Applicant: **TIMOTION TECHNOLOGY CO., LTD.**, New Taipei (TW)

(72) Inventor: **Yu-Chang Lin**, New Taipei (TW)

(73) Assignee: **TIMOTION TECHNOLOGY CO., LTD.**, New Taipei (TW)

(**) Term: **15 Years**

(21) Appl. No.: **29/577,144**

(22) Filed: **Sep. 9, 2016**

(51) **LOC (10) Cl.** **13-03**

(52) **U.S. Cl.**
USPC **D13/162**

(58) **Field of Classification Search**
USPC ... D13/110, 123, 147, 162, 162.1, 164, 184;
D15/143, 148
CPC A47C 7/506; H01R 13/514; H01R 13/639;
H05K 5/00; H05K 5/0004; H05K 5/0021;
H05K 5/0026; H05K 5/03; H05K 5/04;
H05K 5/06; H05K 7/1462; H05K 7/1472
See application file for complete search history.

(56) **References Cited**

U.S. PATENT DOCUMENTS

D365,085 S * 12/1995 Aoyama D13/162
D431,535 S * 10/2000 Kubis D13/164
D546,352 S * 7/2007 Tsou D15/143
D549,663 S * 8/2007 Tsou D13/147
D552,039 S * 10/2007 Liao D13/162

7,619,898 B2 * 11/2009 Jensen H05K 5/0021
361/715
D719,533 S * 12/2014 Lin D13/162
D721,658 S * 1/2015 Lin D13/162
D775,677 S * 1/2017 Jorgensen D15/143
D783,537 S * 4/2017 Skov D13/147
D785,574 S * 5/2017 Wu D13/162
2007/0297150 A1 * 12/2007 Jensen H05K 5/0021
361/736
2010/0178793 A1 * 7/2010 Wu H01R 13/639
439/374

* cited by examiner

Primary Examiner — Selina Sikder

(74) *Attorney, Agent, or Firm* — Chun-Ming Shih; HDLS IPR Services

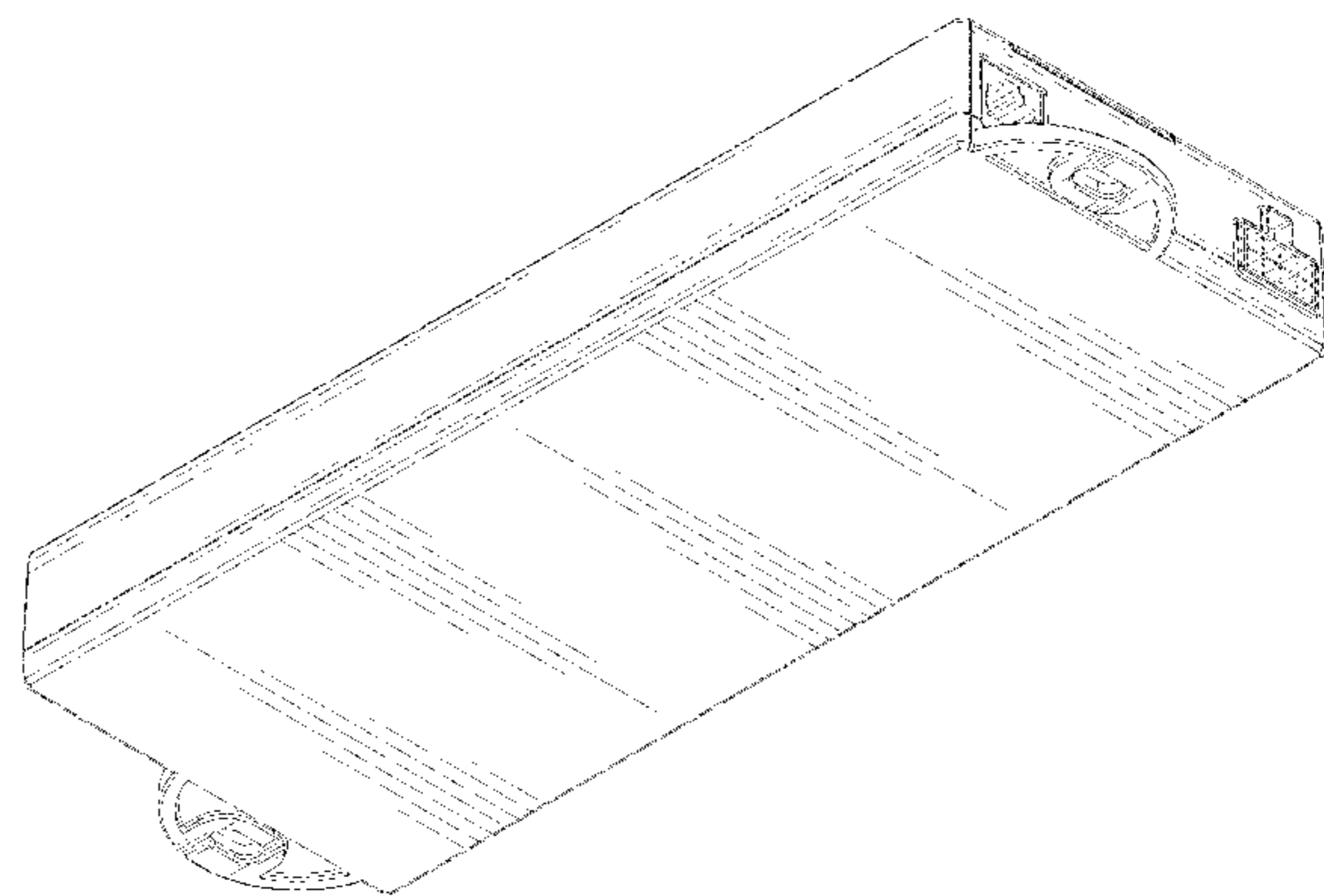
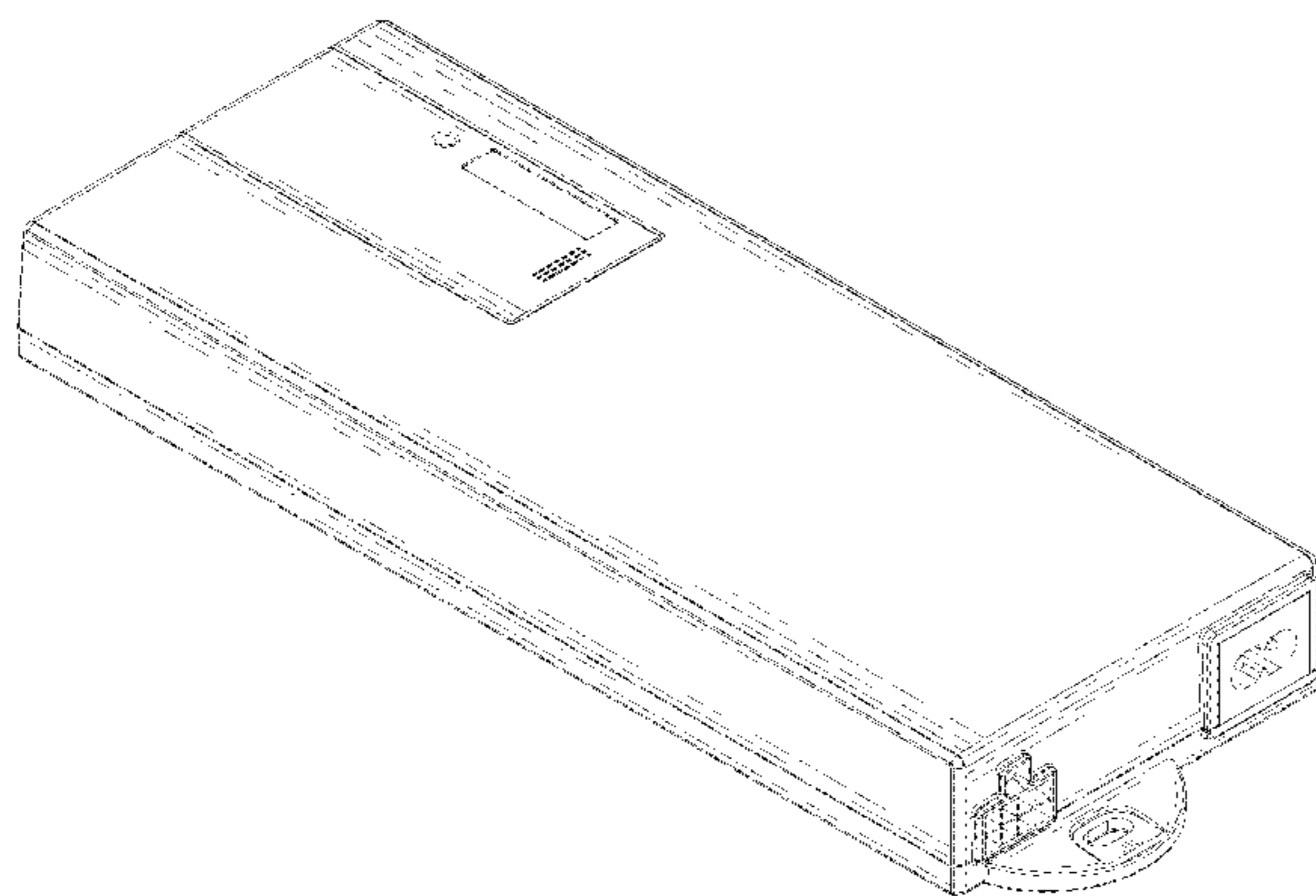
(57) **CLAIM**

The ornamental design for a control box, as shown and described.

DESCRIPTION

FIG. 1 is a perspective view of a control box showing my new design;
FIG. 2 is a front view thereof;
FIG. 3 is a rear view thereof;
FIG. 4 is a left side view thereof;
FIG. 5 is a right side view thereof;
FIG. 6 is a top view thereof;
FIG. 7 is a bottom view thereof; and,
FIG. 8 is a second perspective view showing the control box. The broken lines shown represent unclaimed subject matter and form no part of the claimed design.

1 Claim, 8 Drawing Sheets



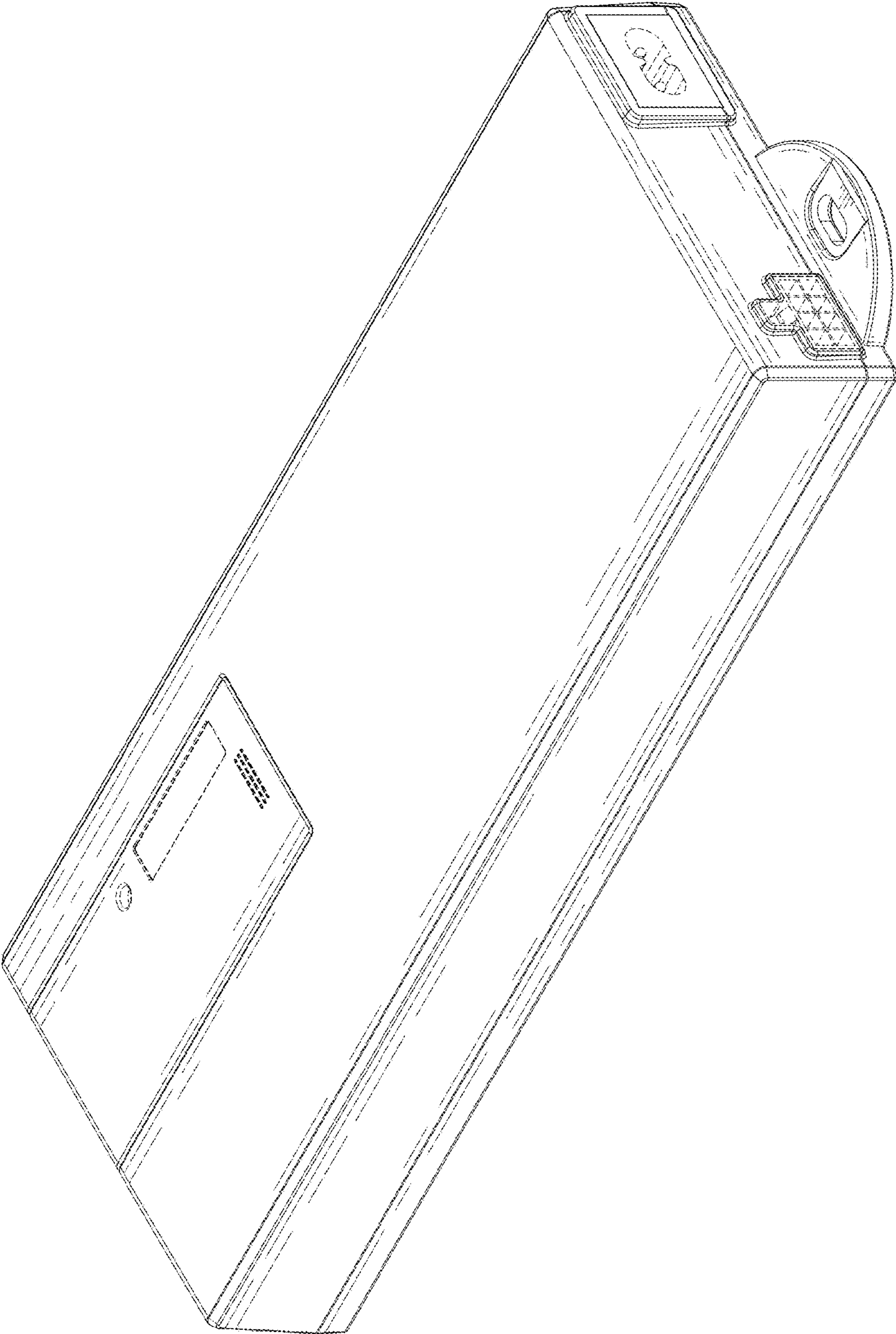


FIG.1

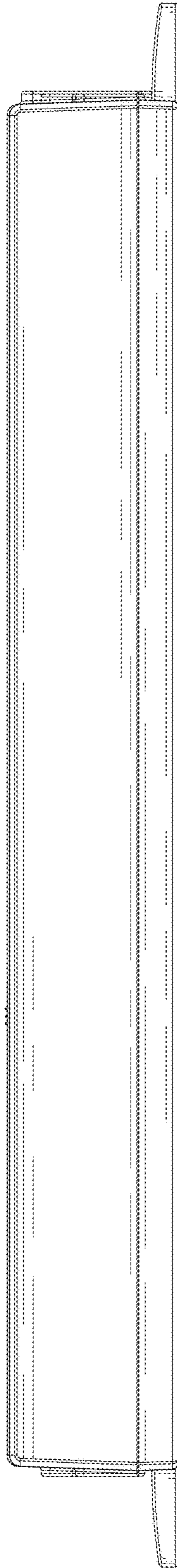


FIG.2

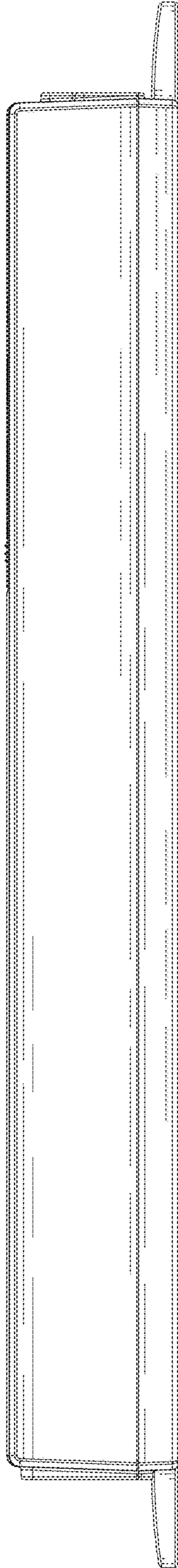


FIG.3

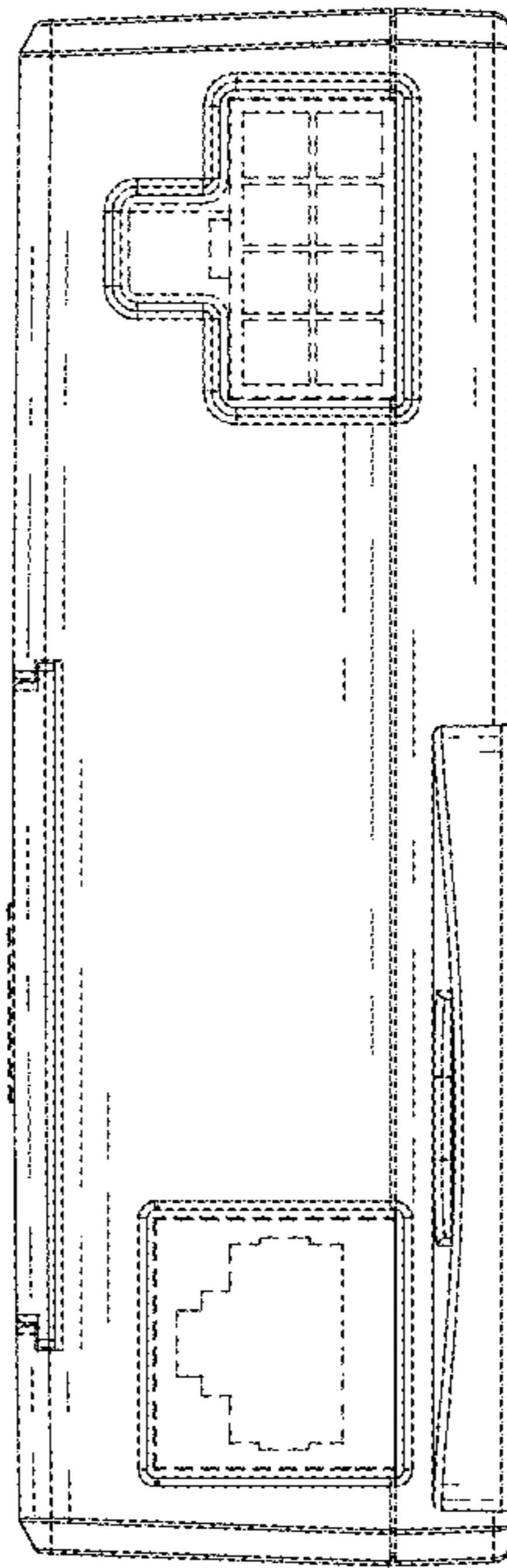


FIG.4

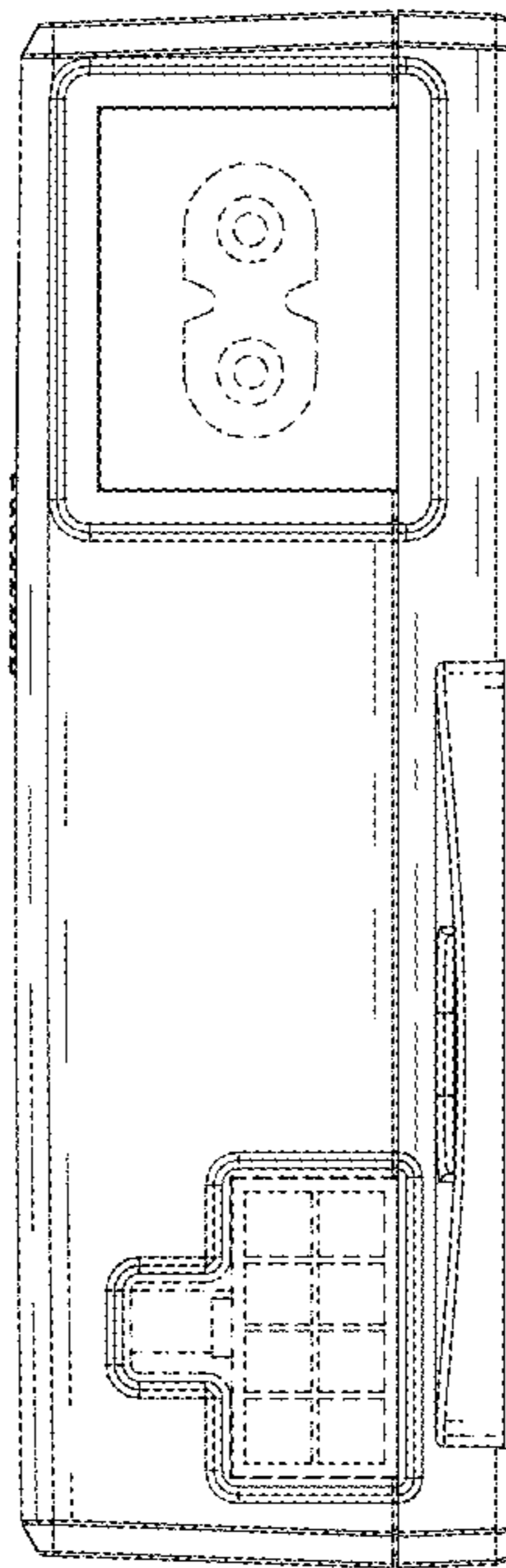


FIG.5

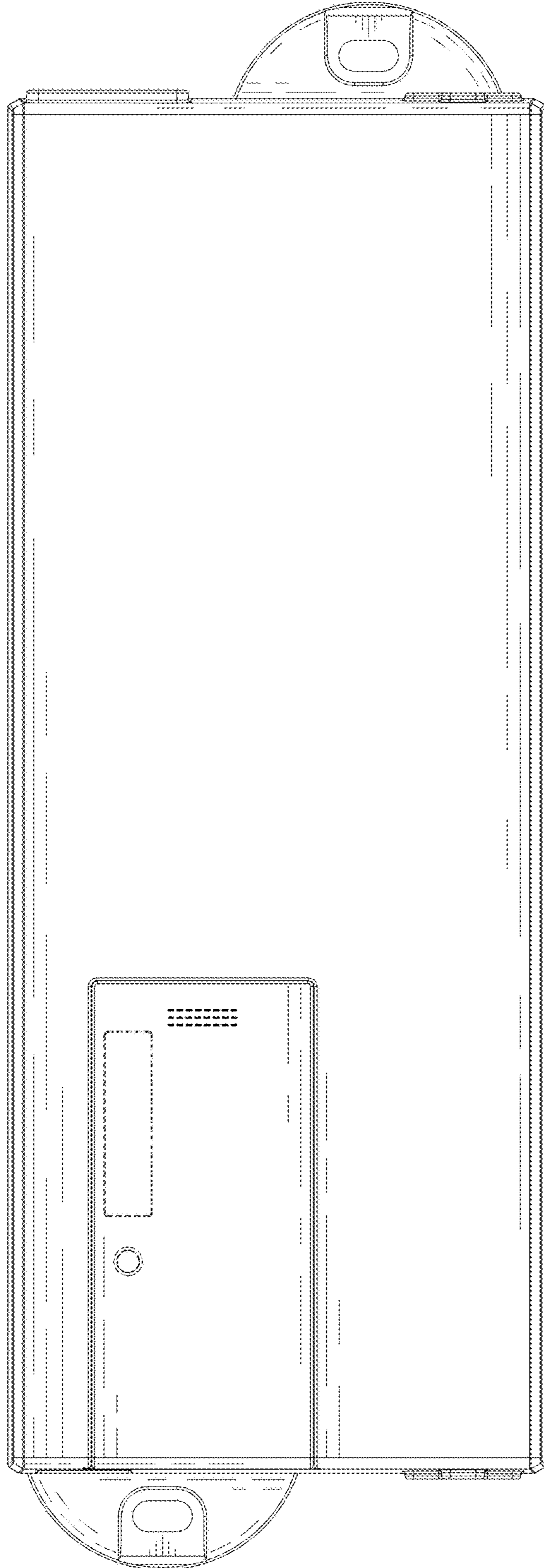


FIG.6

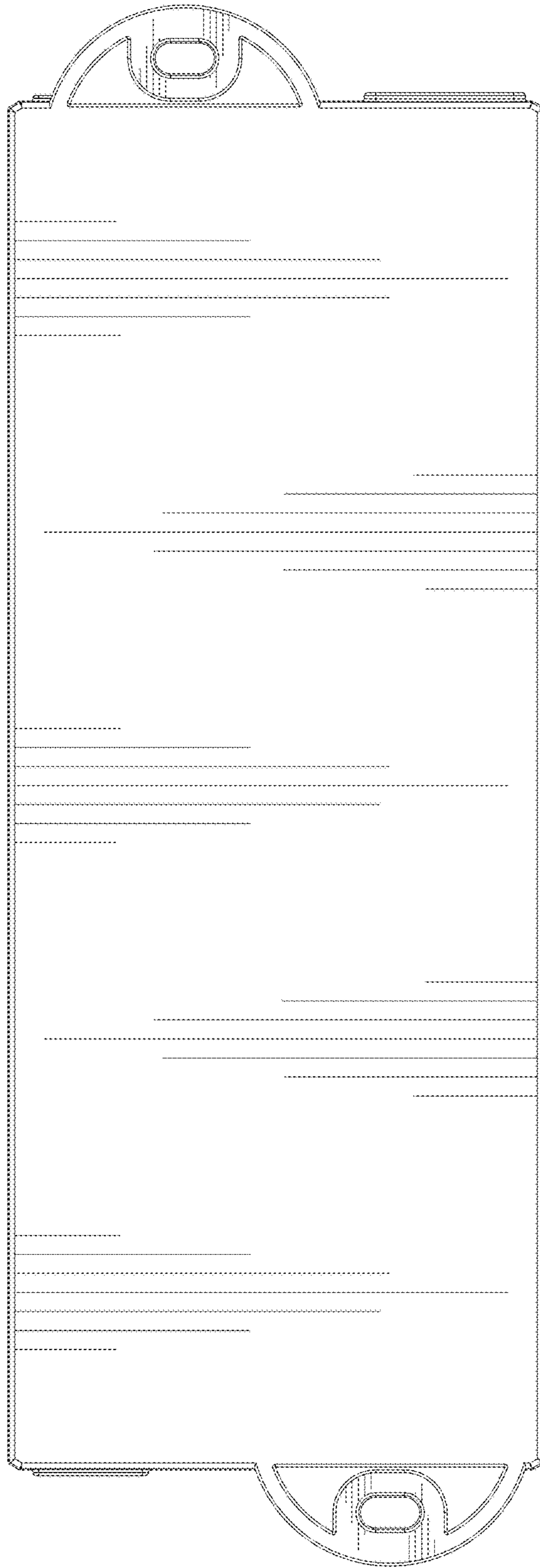


FIG. 7

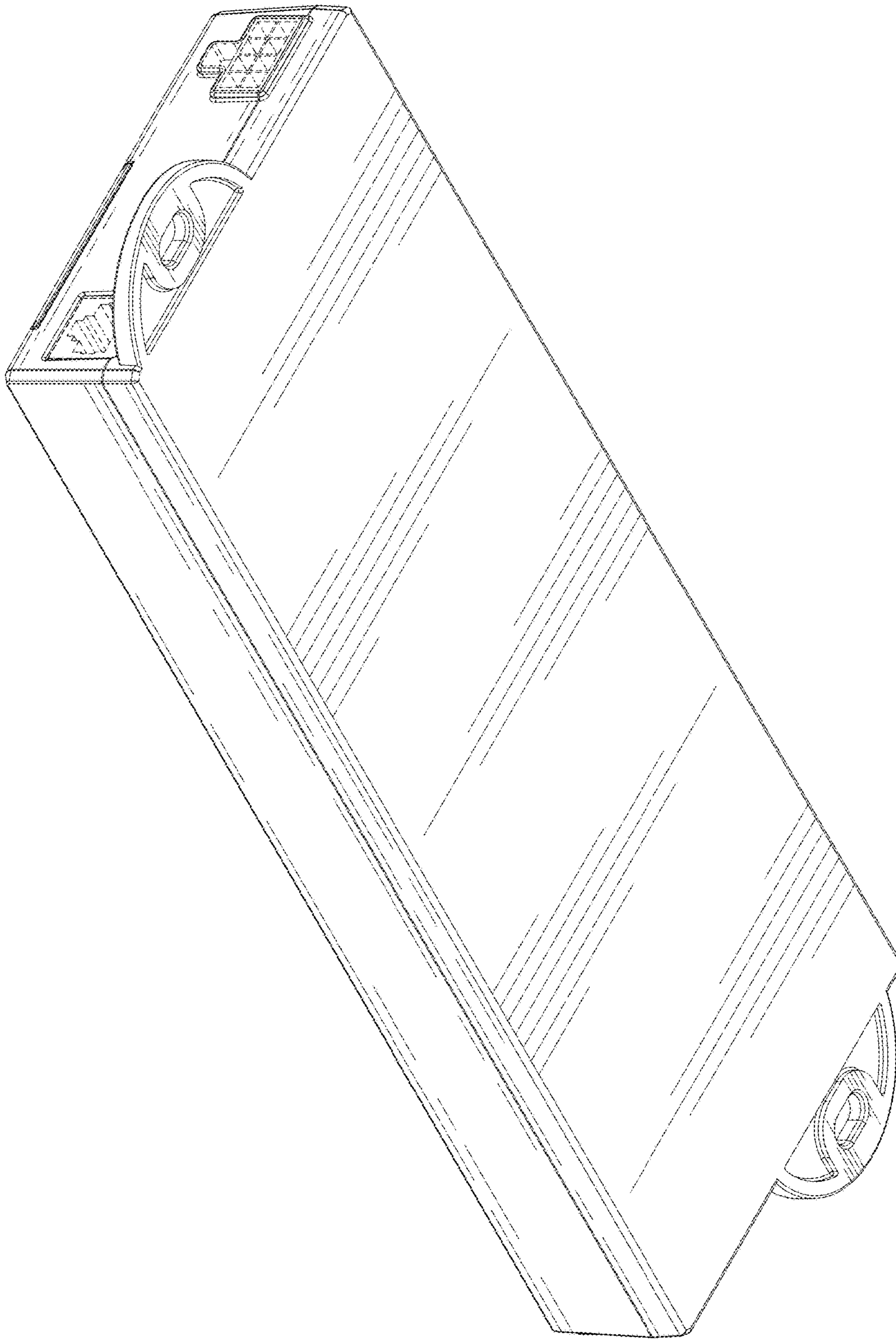


FIG.8