



US00D792352S

(12) **United States Design Patent** (10) **Patent No.:** **US D792,352 S**
Masaki et al. (45) **Date of Patent:** **** Jul. 18, 2017**

(54) **RELAY SOCKET**

(71) Applicant: **OMRON Corporation**, Kyoto-shi, Kyoto (JP)

(72) Inventors: **Kenichiro Masaki**, Kumamoto (JP); **Keisuke Yano**, Kumamoto (JP); **Hiroshi Hashimoto**, Kumamoto (JP); **Tomakazu Ikeda**, Yamaga (JP)

(73) Assignee: **OMRON Corporation**, Kyoto (JP)

(**) Term: **15 Years**

(21) Appl. No.: **29/573,336**

(22) Filed: **Aug. 4, 2016**

(30) **Foreign Application Priority Data**

Feb. 29, 2016 (JP) 2016-004450

(51) **LOC (10) Cl.** **13-03**

(52) **U.S. Cl.**
USPC **D13/159**

(58) **Field of Classification Search**
USPC D13/110, 123, 133, 147, 154, 158-160, D13/173, 184, 199
CPC ... H01R 9/00; H01R 9/22; H01R 9/26; H01R 12/00; H01R 13/00; H01R 13/51; H01R 13/62; H01R 13/63; H01H 51/29; H01H 51/28; H01H 51/12; H01H 50/02; H01H 47/00; H01H 45/00; H01H 35/00
See application file for complete search history.

(56) **References Cited**

U.S. PATENT DOCUMENTS

5,848,917 A * 12/1998 Bechaz H01R 9/2675
439/716
D616,834 S * 6/2010 Heggemann D13/164

D626,516 S * 11/2010 Hakemeyer D13/158
D638,804 S * 5/2011 Giordanino D13/159
D700,897 S * 3/2014 Min D13/159
D732,483 S * 6/2015 Min D13/159
2003/0063418 A1 * 4/2003 Bergh H01H 47/32
361/51
2008/0119083 A1 * 5/2008 Lendi H01R 9/2491
439/534
2008/0171477 A1 * 7/2008 Pizzi H01R 4/42
439/711
2009/0203234 A1 * 8/2009 Heggemann H01R 9/2625
439/59
2013/0052884 A1 * 2/2013 Hanses H01R 9/2683
439/816
2015/0228435 A1 * 8/2015 Hudetz H01H 85/32
340/638

* cited by examiner

Primary Examiner — Thomas Johannes

Assistant Examiner — Shawn T Gingrich

(74) *Attorney, Agent, or Firm* — Capitol City TechLaw

(57) **CLAIM**

The ornamental design for a relay socket, as shown and described.

DESCRIPTION

FIG. 1 is a front, top, and left side perspective view of a relay socket showing our new design;
FIG. 2 is a front view thereof;
FIG. 3 is a rear view thereof;
FIG. 4 is a left side view thereof;
FIG. 5 is a right side view thereof;
FIG. 6 is a top view thereof; and,
FIG. 7 is a bottom view thereof.
The broken lines shown in the figures illustrate portions of the relay socket that form no part of the claimed design.

1 Claim, 5 Drawing Sheets

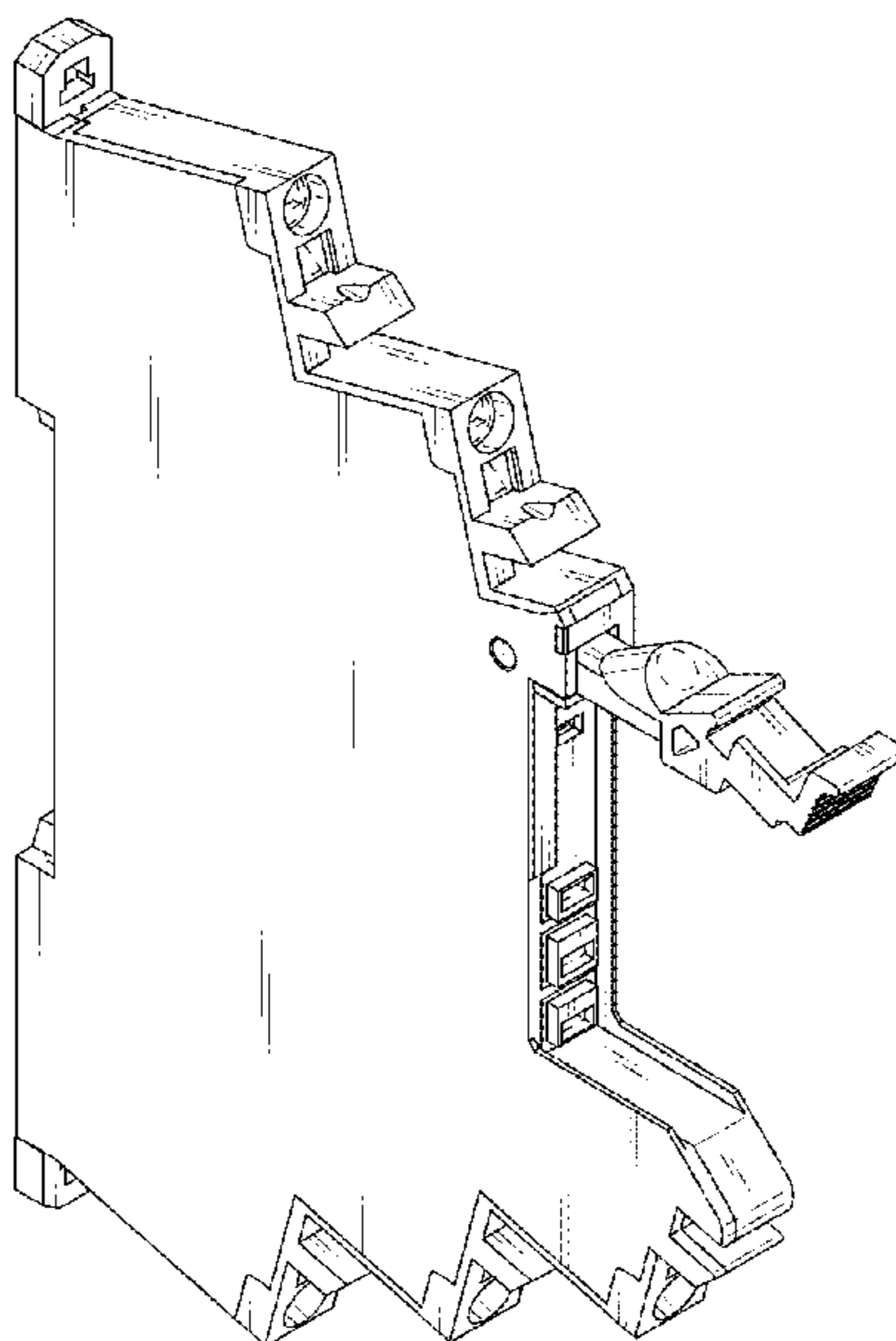


Fig. 1

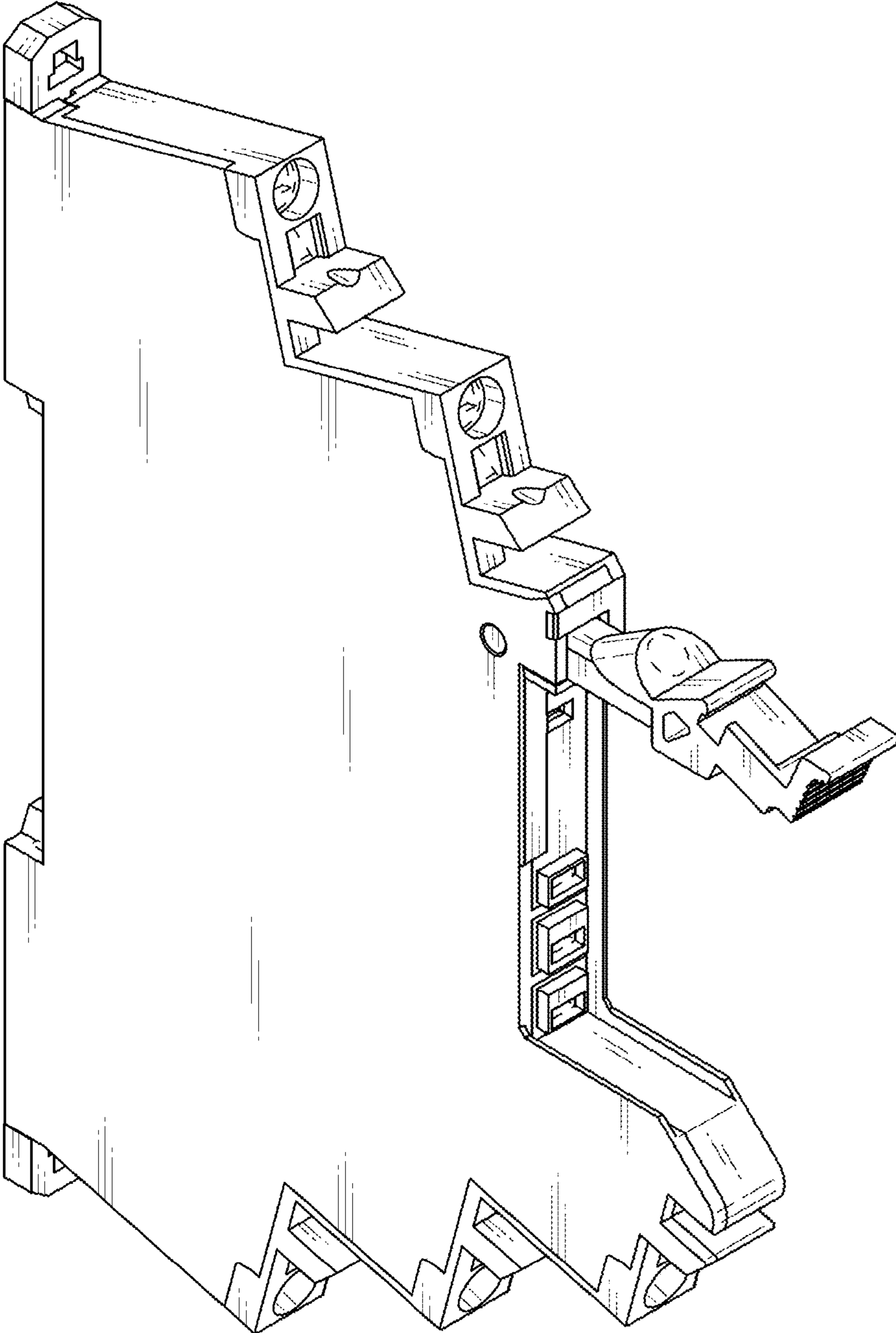


Fig. 2

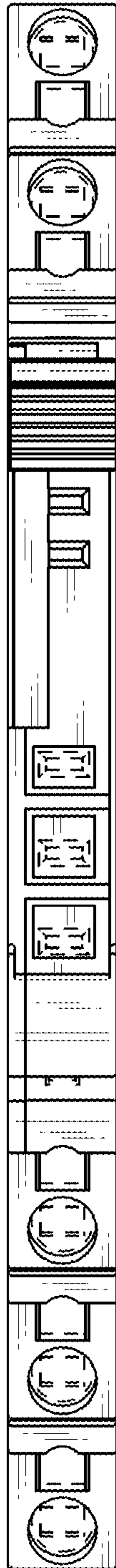


Fig. 3

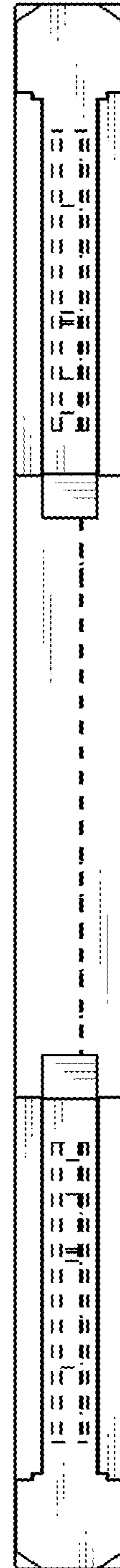


Fig. 4

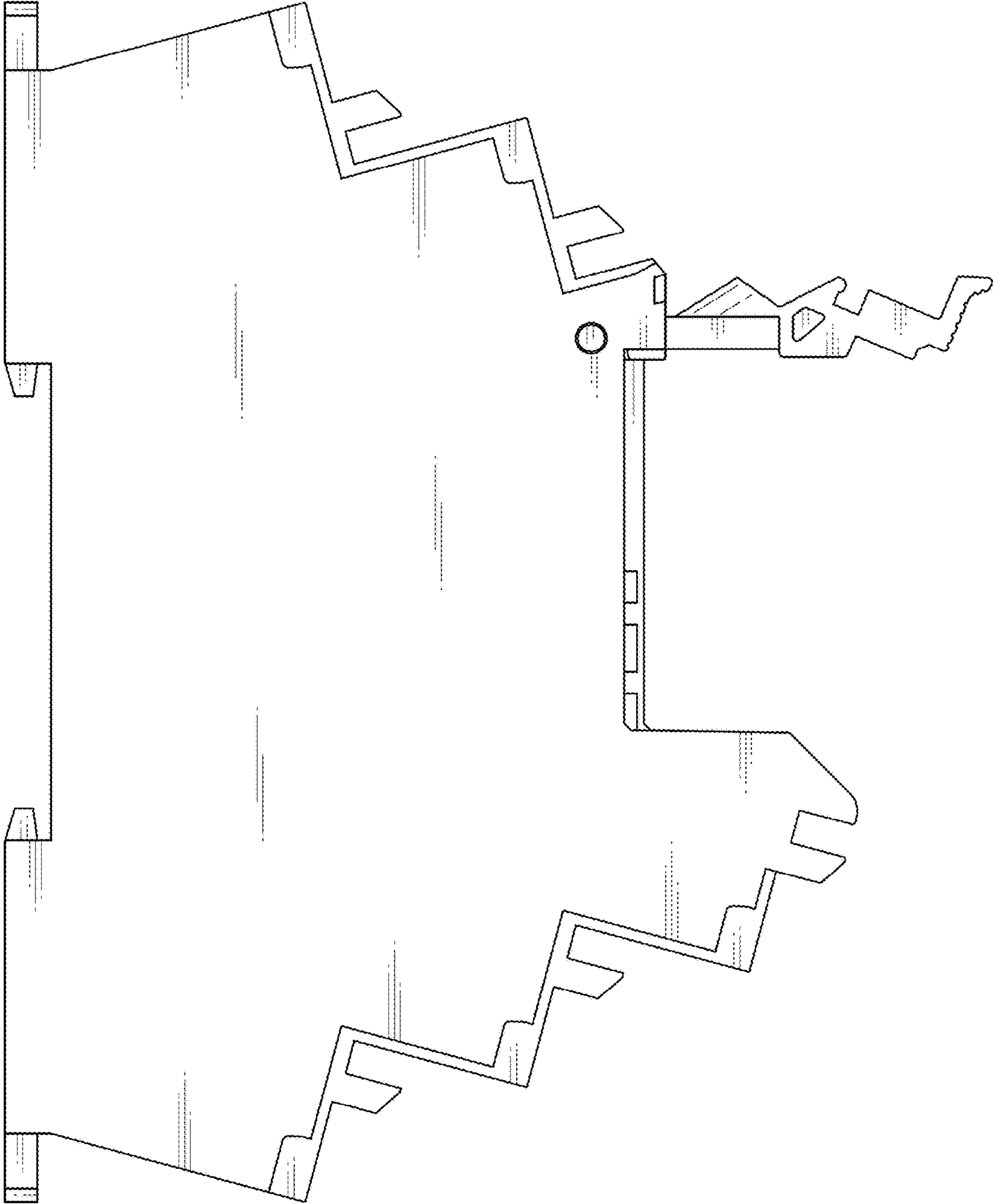


Fig. 5

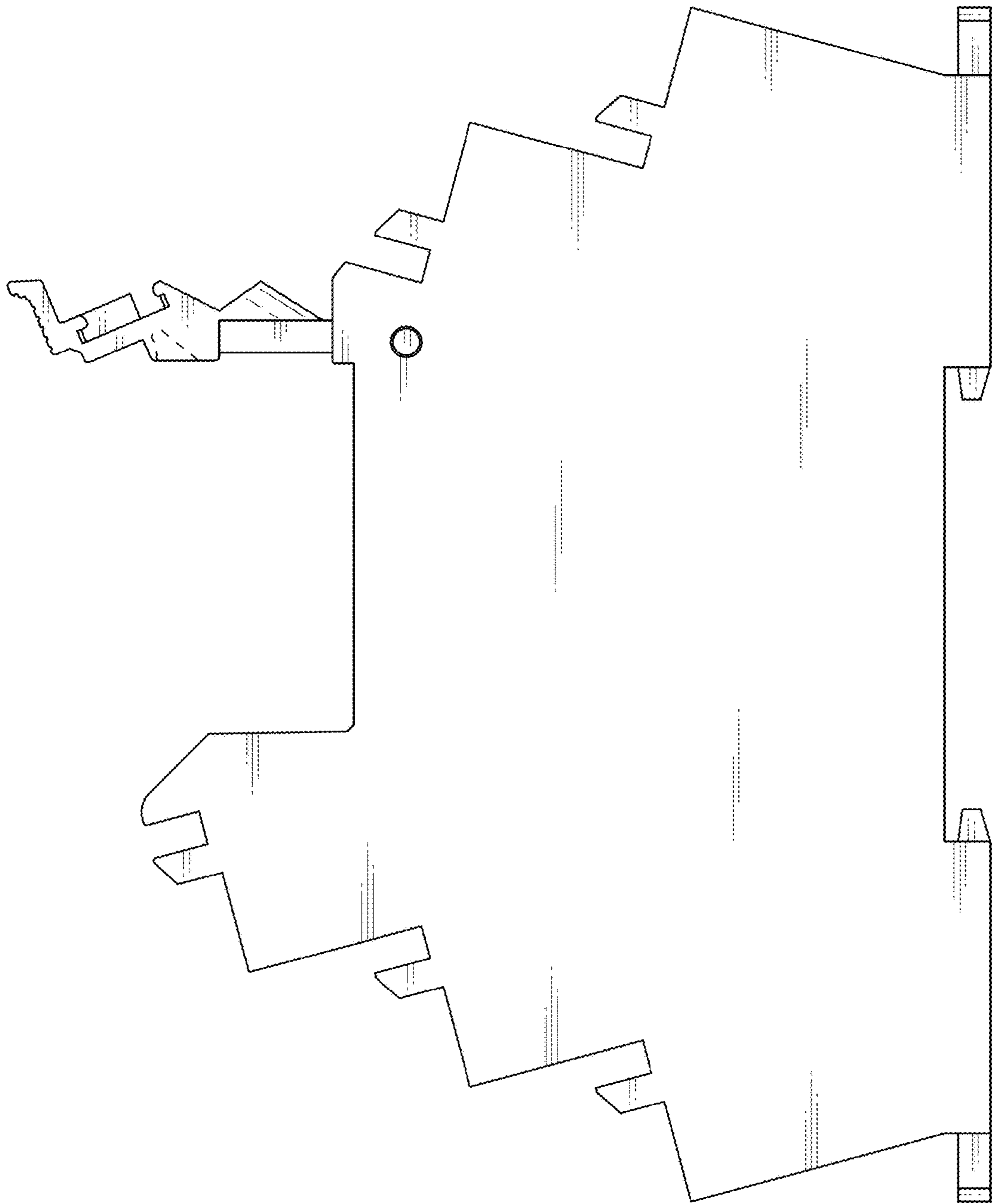


Fig. 6

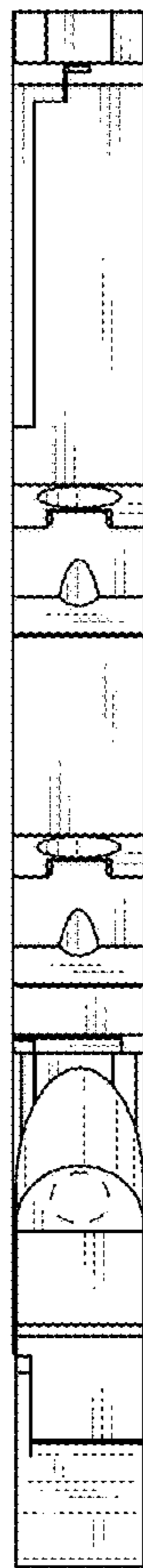
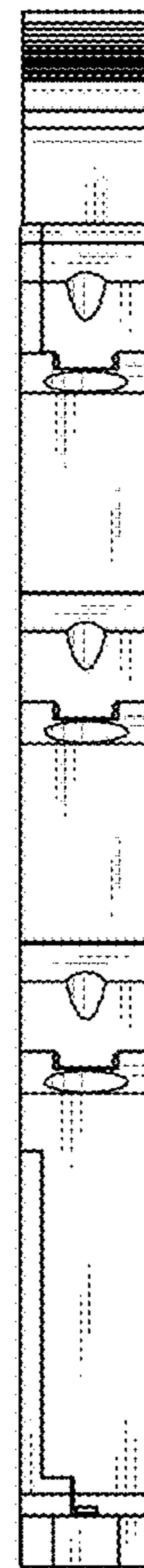


Fig. 7



UNITED STATES PATENT AND TRADEMARK OFFICE
CERTIFICATE OF CORRECTION

PATENT NO. : D792,352 S
APPLICATION NO. : 29/573336
DATED : July 18, 2017
INVENTOR(S) : Kenichiro Masaki et al.

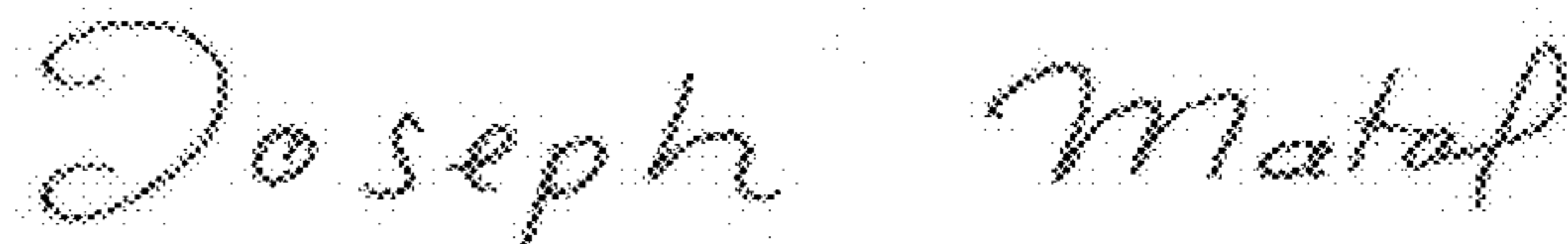
Page 1 of 1

It is certified that error appears in the above-identified patent and that said Letters Patent is hereby corrected as shown below:

On the Title Page

Item (72): Delete the fourth inventor's name "Tomakazu Ikeda" and insert --Tomokazu Ikeda--.

Signed and Sealed this
Twenty-fourth Day of October, 2017



Joseph Matal

*Performing the Functions and Duties of the
Under Secretary of Commerce for Intellectual Property and
Director of the United States Patent and Trademark Office*