



US00D792351S

(12) **United States Design Patent**  
**Masaki et al.**

(10) **Patent No.:** **US D792,351 S**  
(45) **Date of Patent:** **\*\* Jul. 18, 2017**

(54) **RELAY SOCKET**

(71) Applicant: **OMRON Corporation**, Kyoto-shi,  
Kyoto (JP)

(72) Inventors: **Kenichiro Masaki**, Kumamoto (JP);  
**Koyuru Nakano**, Nara (JP); **Shinya  
Tsuji**, Yamaga (JP); **Yoshikazu Tajiri**,  
Kikuchi (JP)

(73) Assignee: **OMRON Corporation**, Kyoto (JP)

(\*\*) Term: **15 Years**

(21) Appl. No.: **29/573,224**

(22) Filed: **Aug. 3, 2016**

(30) **Foreign Application Priority Data**

Feb. 29, 2016 (JP) ..... 2016-004447

(51) **LOC (10) Cl.** ..... **13-03**

(52) **U.S. Cl.**  
USPC ..... **D13/159**

(58) **Field of Classification Search**  
USPC ..... D13/110, 123, 133, 147, 154, 158-160,  
D13/173, 184, 199  
CPC ... H01R 9/00; H01R 9/22; H01R 9/26; H01R  
12/00; H01R 13/00; H01R 13/51; H01R  
13/62; H01R 13/63; H01H 51/29; H01H  
51/28; H01H 51/12; H01H 50/02; H01H  
47/00; H01H 45/00; H01H 35/00  
See application file for complete search history.

(56) **References Cited**

**U.S. PATENT DOCUMENTS**

3,643,210 A \* 2/1972 Fujita ..... H01R 13/514  
439/687  
D471,158 S \* 3/2003 Mori ..... D13/147

D471,866 S \* 3/2003 Yano ..... D13/147  
D638,371 S \* 5/2011 Giordanino ..... D13/159  
D700,898 S \* 3/2014 Min ..... D13/159  
D701,176 S \* 3/2014 Min ..... D13/159  
D741,814 S \* 10/2015 Min ..... D13/159  
D742,331 S \* 11/2015 Min ..... D13/159  
2001/0034165 A1 \* 10/2001 Landis ..... H01R 13/6658  
439/716  
2002/0132504 A1 \* 9/2002 Mori ..... H01R 13/639  
439/160  
2002/0142671 A1 \* 10/2002 Yano ..... H01R 9/26  
439/721  
2003/0224639 A1 \* 12/2003 Yano ..... H01R 9/2625  
439/157  
2007/0093121 A1 \* 4/2007 Helmreich ..... H01H 50/14  
439/495

\* cited by examiner

*Primary Examiner* — Thomas Johannes

*Assistant Examiner* — Shawn T Gingrich

(74) *Attorney, Agent, or Firm* — Capitol City TechLaw

(57) **CLAIM**

The ornamental design for a relay socket, as shown and described.

**DESCRIPTION**

FIG. 1 is a front, top, and left side perspective view of a relay socket showing our new design;  
FIG. 2 is a front view thereof;  
FIG. 3 is a rear view thereof;  
FIG. 4 is a left side view thereof;  
FIG. 5 is a right side view thereof;  
FIG. 6 is a top view thereof; and,  
FIG. 7 is a bottom view thereof.  
The broken lines shown in the figures illustrate portions of the relay socket that form no part of the claimed design.

**1 Claim, 5 Drawing Sheets**

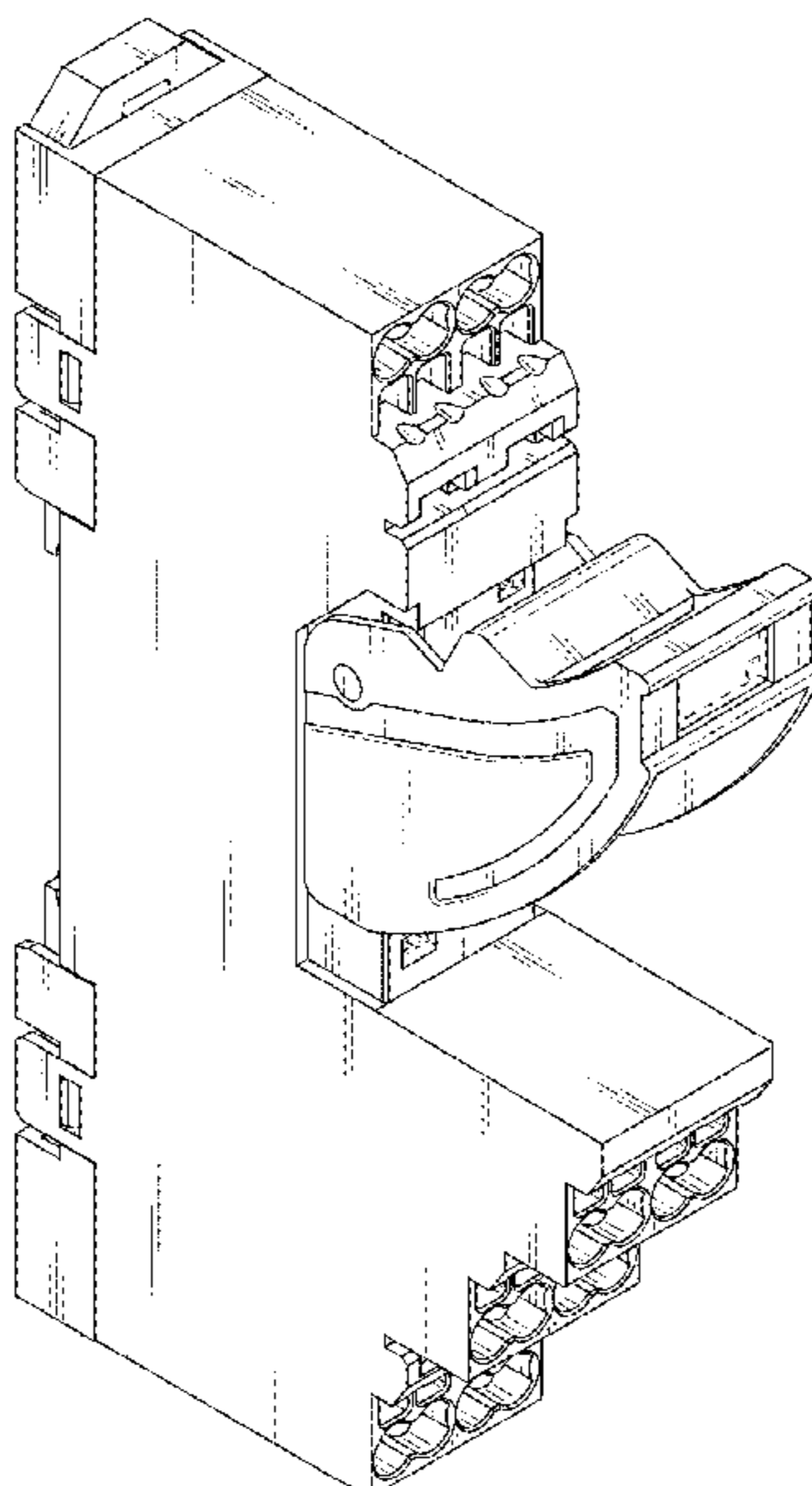


Fig. 1

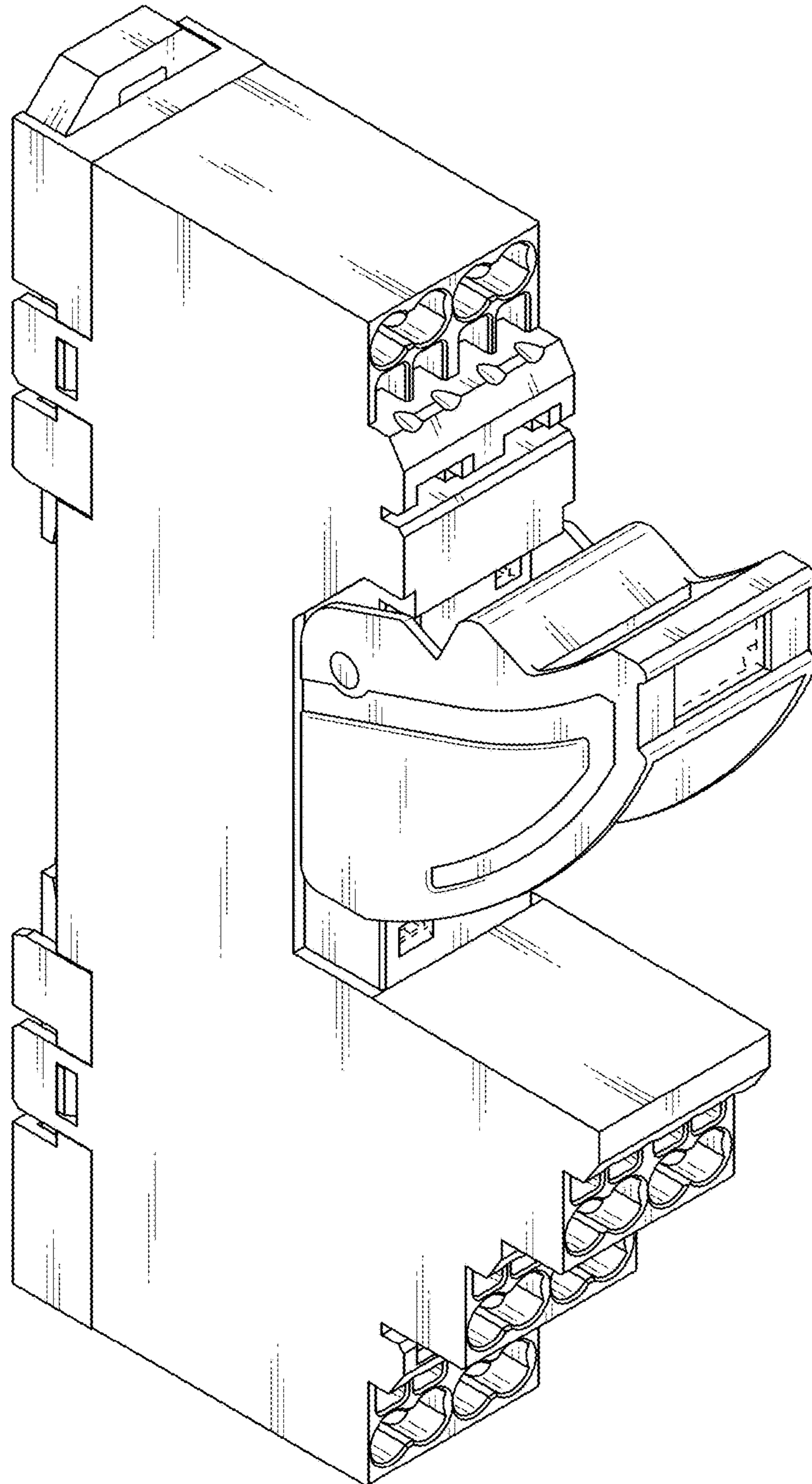


Fig. 2

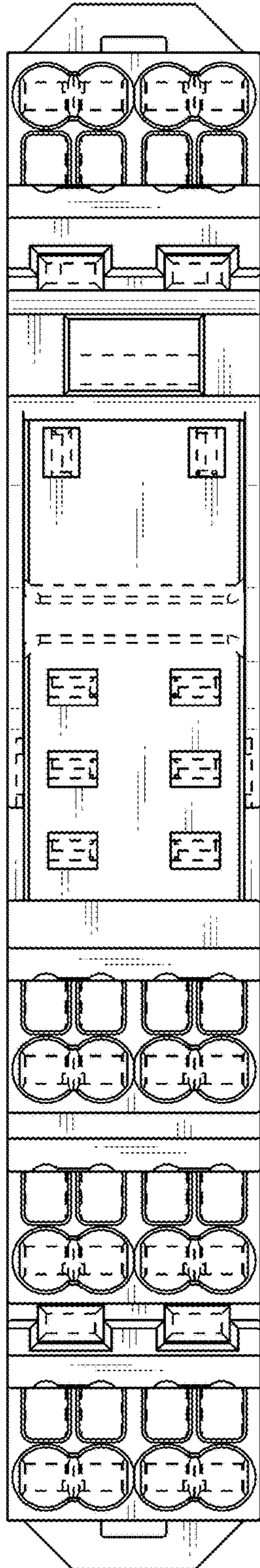


Fig. 3

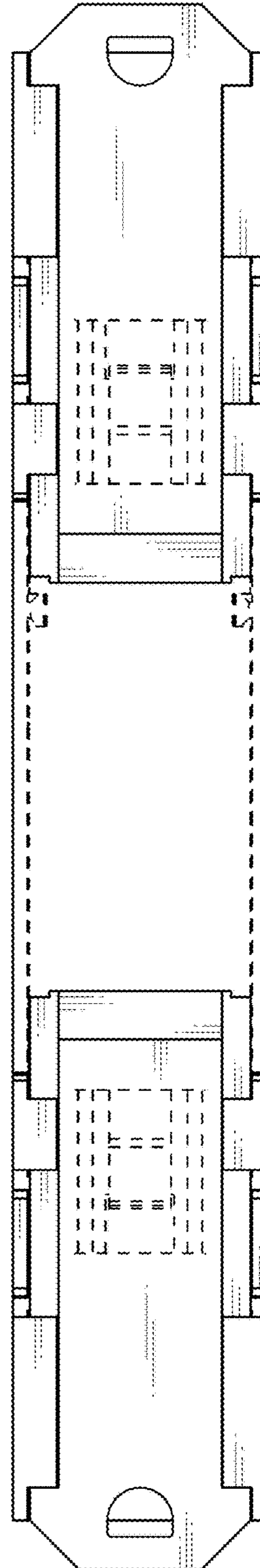


Fig. 4

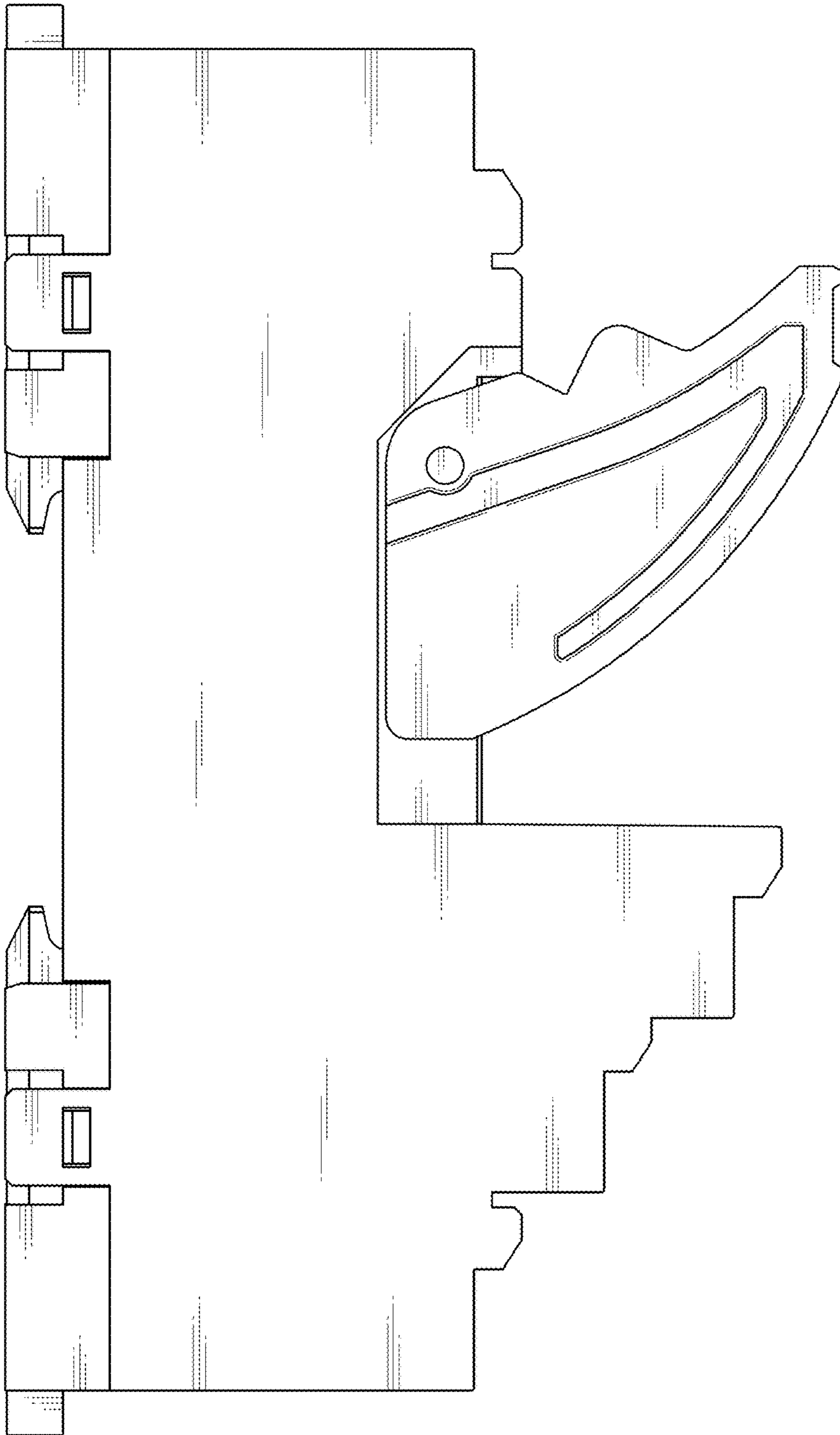


Fig. 5

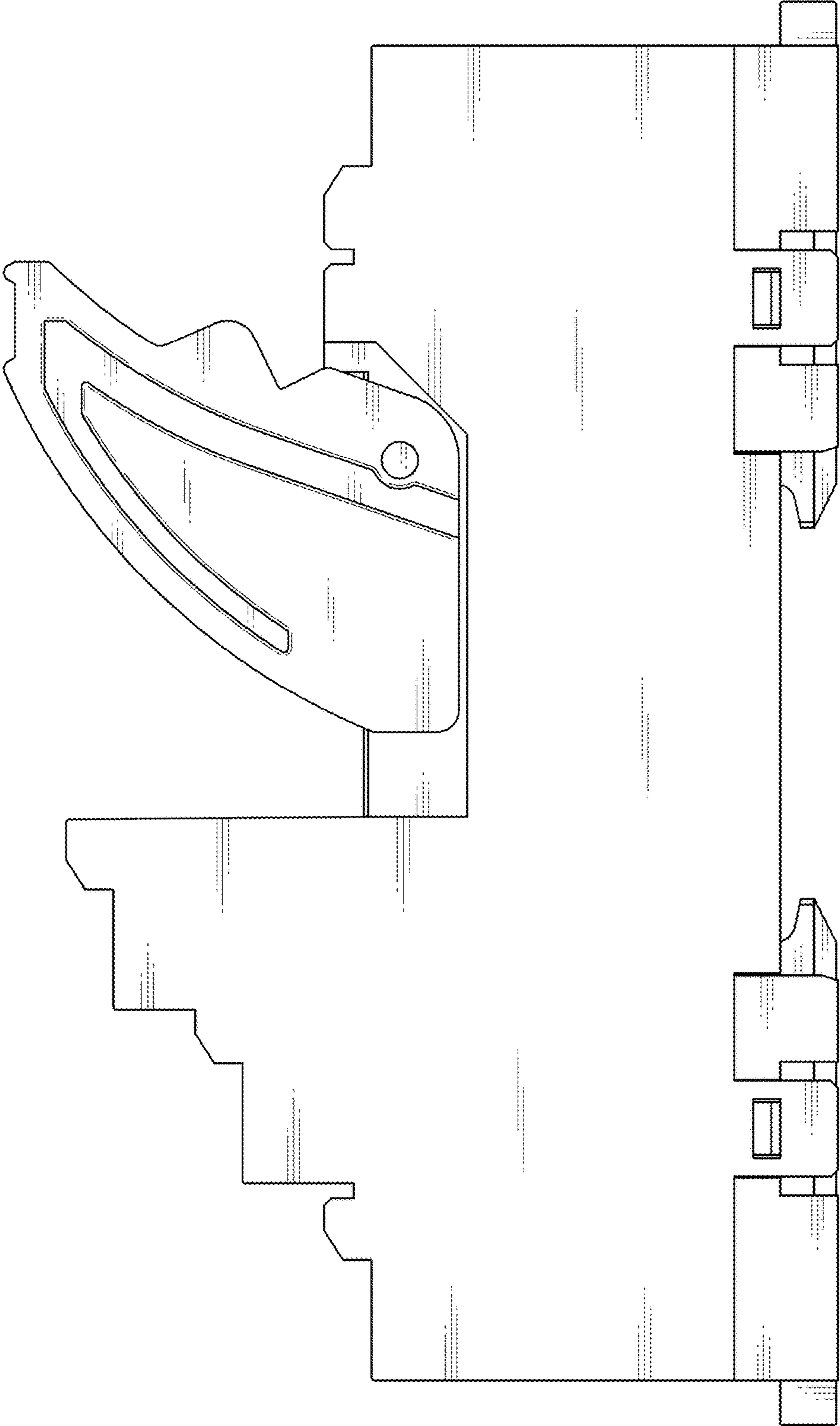


Fig. 6

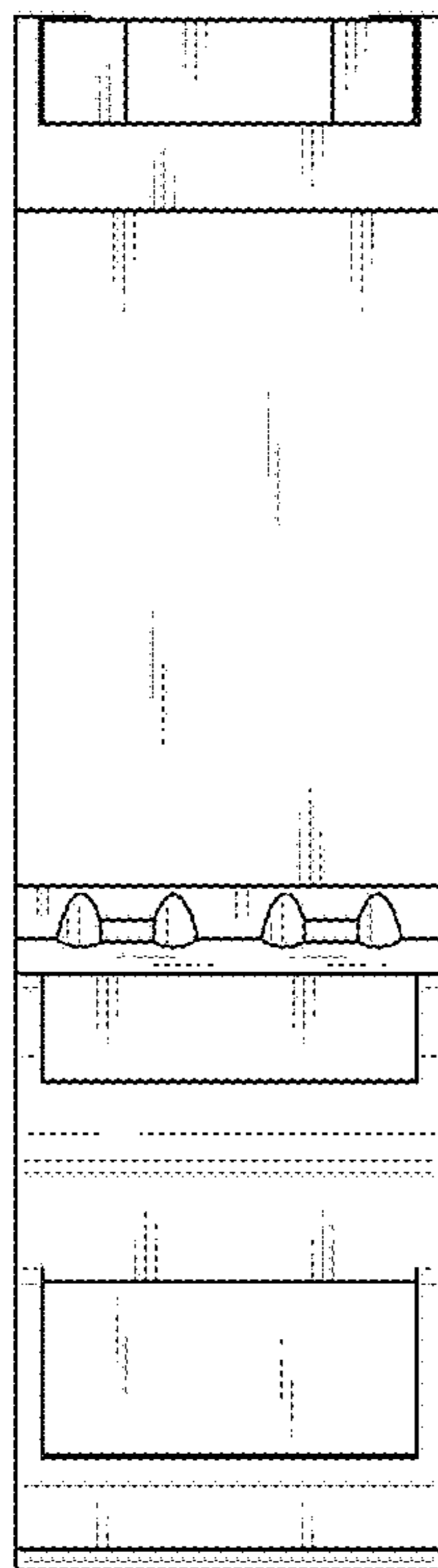


Fig. 7

