



US00D792350S

(12) **United States Design Patent** (10) **Patent No.:** **US D792,350 S**
Rajala et al. (45) **Date of Patent:** **** Jul. 18, 2017**

(54) **SWITCH**
(71) Applicant: **ABB Oy**, Helsinki (FI)
(72) Inventors: **Juha-Matti Rajala**, Vaasa (FI); **Juha Soldan**, Vaasa (FI); **Oskari Uitto**, Vaasa (FI)
(73) Assignee: **ABB Oy**, Helsinki (FI)
(**) Term: **15 Years**
(21) Appl. No.: **29/559,931**
(22) Filed: **Apr. 1, 2016**

D697,873 S 1/2014 Uitto
D713,801 S 9/2014 Johansson
D714,733 S 10/2014 Johansson
D738,323 S 9/2015 Zheng
D738,324 S 9/2015 Zheng
D749,049 S * 2/2016 Zheng D13/158
D749,050 S * 2/2016 Zheng D13/158
D749,528 S * 2/2016 Zheng D13/158
D749,529 S 2/2016 Zheng
D749,530 S 2/2016 Zheng
D752,525 S * 3/2016 Zheng D13/158
D752,526 S * 3/2016 Zheng D13/158
D753,610 S * 4/2016 Zheng D13/158
D756,309 S * 5/2016 Zheng D13/158
D756,310 S * 5/2016 Zheng D13/158
D756,311 S * 5/2016 Zheng D13/158
D756,314 S * 5/2016 Zheng D13/158
D756,315 S * 5/2016 Zheng D13/158
D756,316 S * 5/2016 Zheng D13/158

Related U.S. Application Data

(62) Division of application No. 29/524,087, filed on Apr. 16, 2015, now abandoned.

Foreign Application Priority Data

Oct. 16, 2014 (EM) 002558247
(51) **LOC (10) Cl.** **13-03**
(52) **U.S. Cl.**
USPC **D13/158**
(58) **Field of Classification Search**
USPC D13/110, 118, 123, 133, 149, 154,
D13/158-161, 173, 184, 199
CPC H01H 19/00; H01H 19/02; H01H 1/20;
H01H 1/06; H01H 1/00; H01H 9/00;
H01H 3/00
See application file for complete search history.

References Cited

U.S. PATENT DOCUMENTS

5,493,083 A 2/1996 Olivier
D590,351 S 4/2009 Lifran
D687,386 S 8/2013 Uitto

(Continued)

Primary Examiner — Thomas Johannes
Assistant Examiner — Shawn T Gingrich
(74) *Attorney, Agent, or Firm* — Taft Stettinius & Hollister LLP

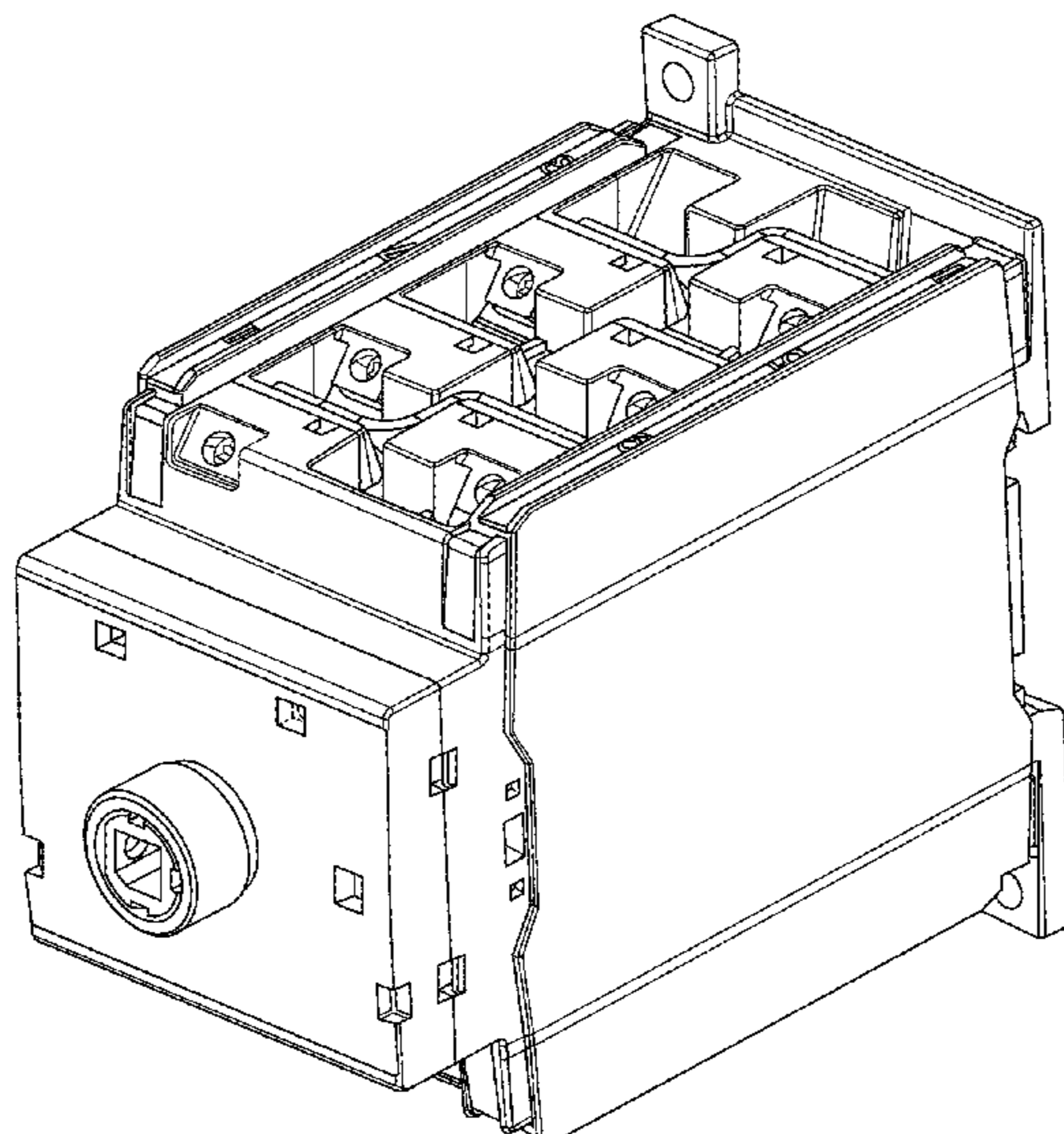
(57) **CLAIM**

The ornamental design for a switch, as shown and described.

DESCRIPTION

FIG. 1 is a perspective view of a switch showing our new design.
FIG. 2 is a front elevational view thereof.
FIG. 3 is a rear elevational view thereof.
FIG. 4 is right side elevational view thereof.
FIG. 5 is a left side elevational view thereof.
FIG. 6 is a top plan view thereof; and,
FIG. 7 is a bottom plan view thereof.
The broken line portion of the figure drawings is included to show portions of the article that form no part of the claimed design.

1 Claim, 7 Drawing Sheets



(56)

References Cited

U.S. PATENT DOCUMENTS

D767,512 S * 9/2016 Zheng D13/158
2014/0090969 A1 4/2014 Uitto
2015/0287551 A1 10/2015 Uitto

* cited by examiner

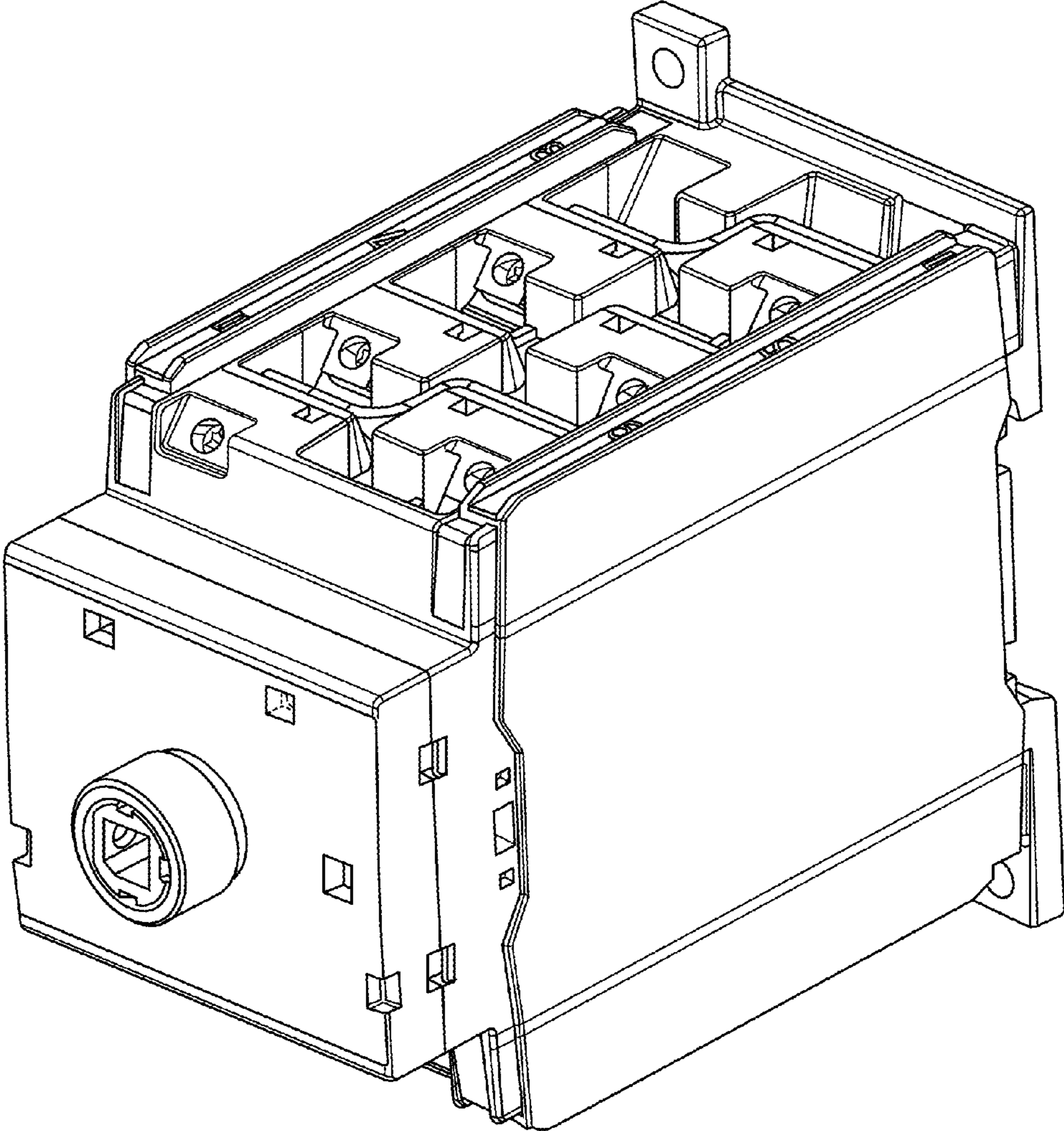


FIG. 1

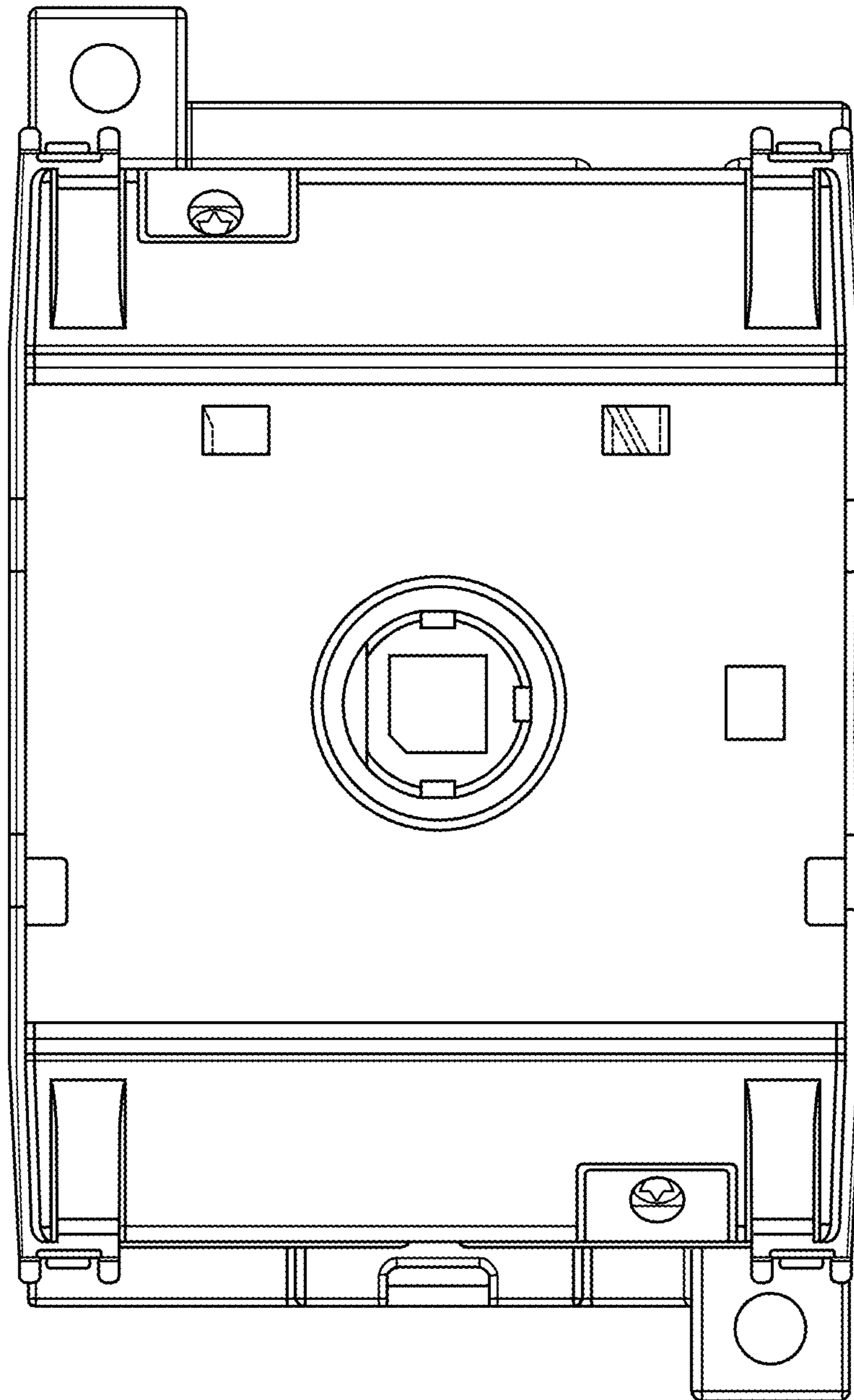


FIG. 2

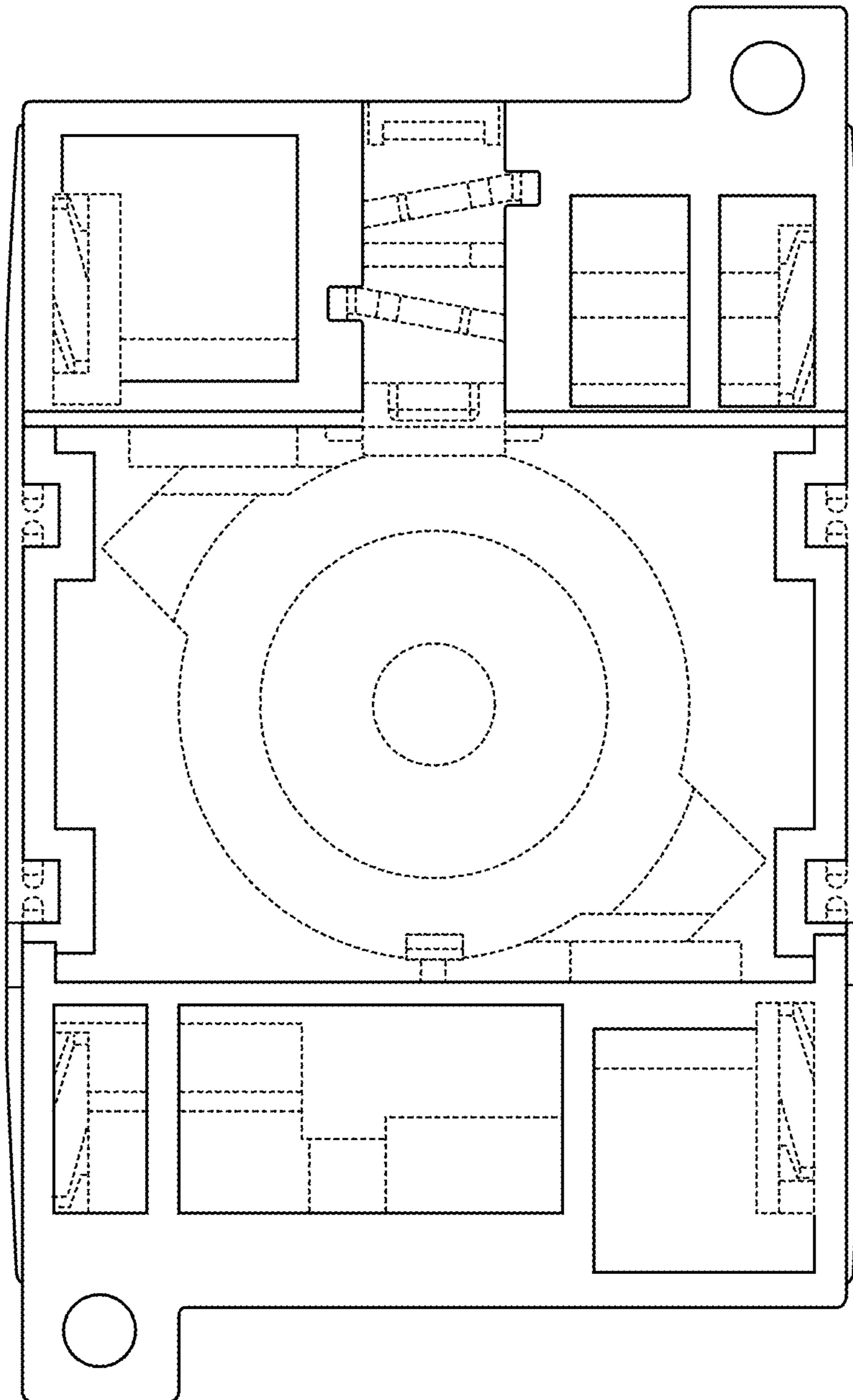


FIG. 3

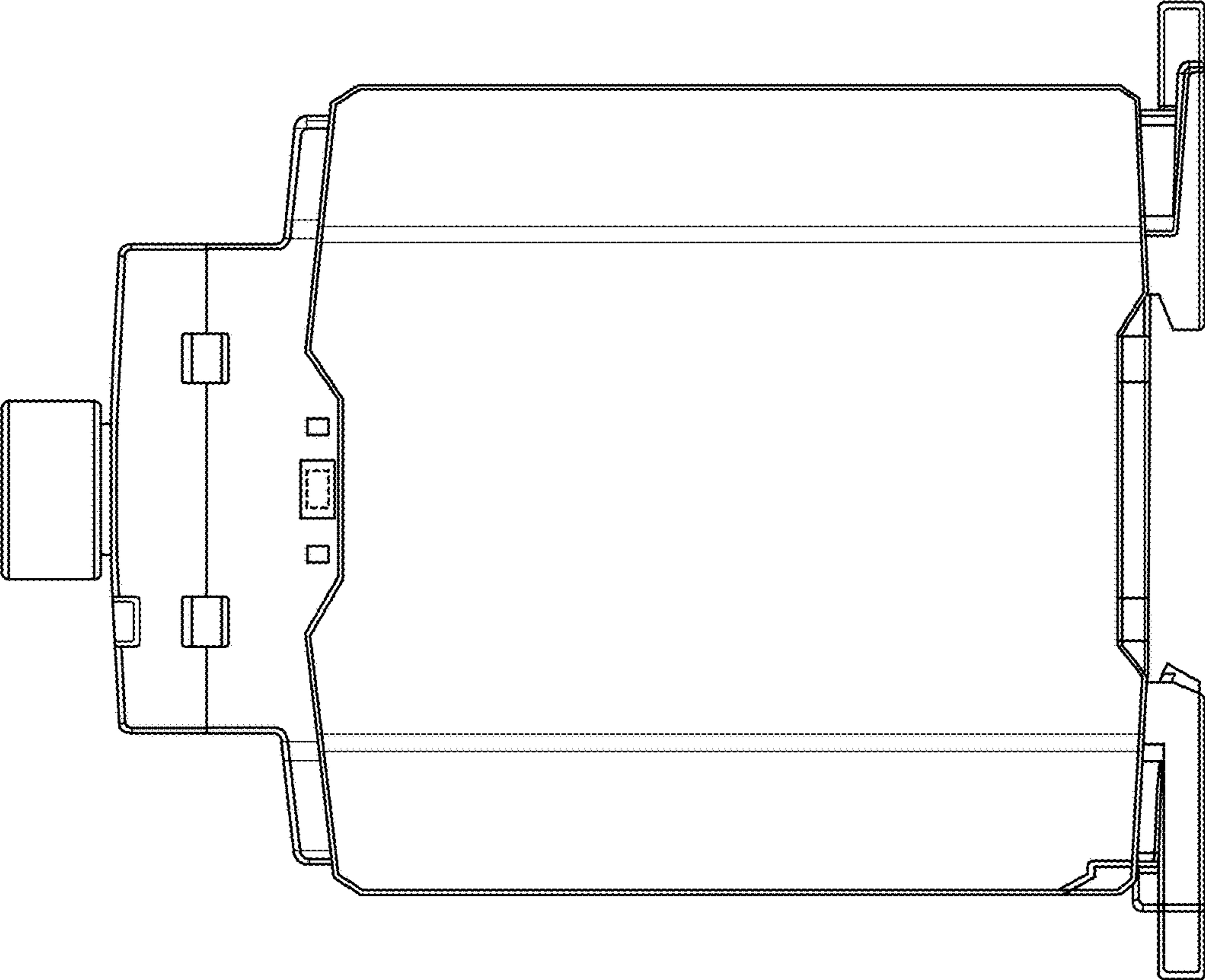


FIG. 4

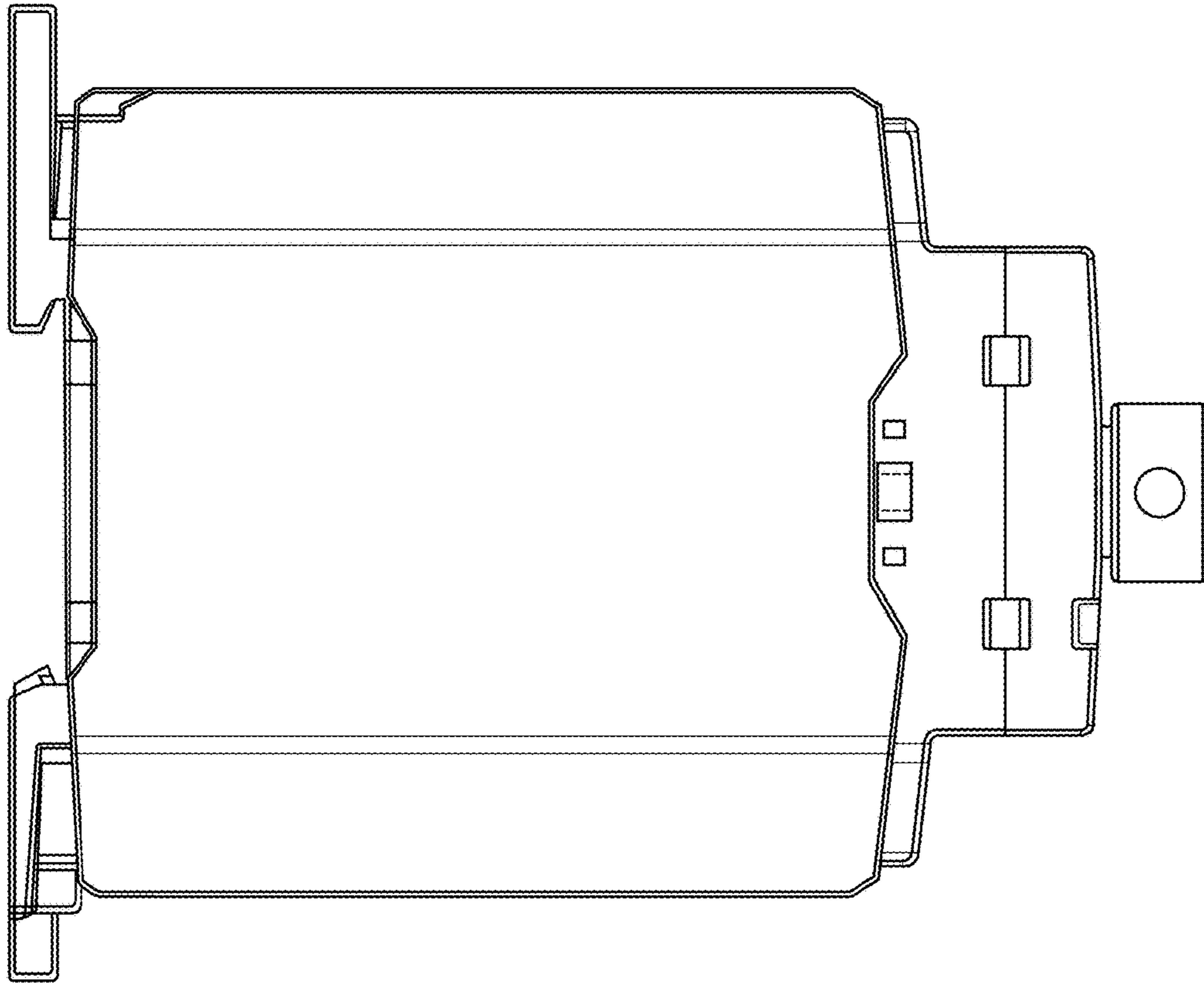


FIG. 5

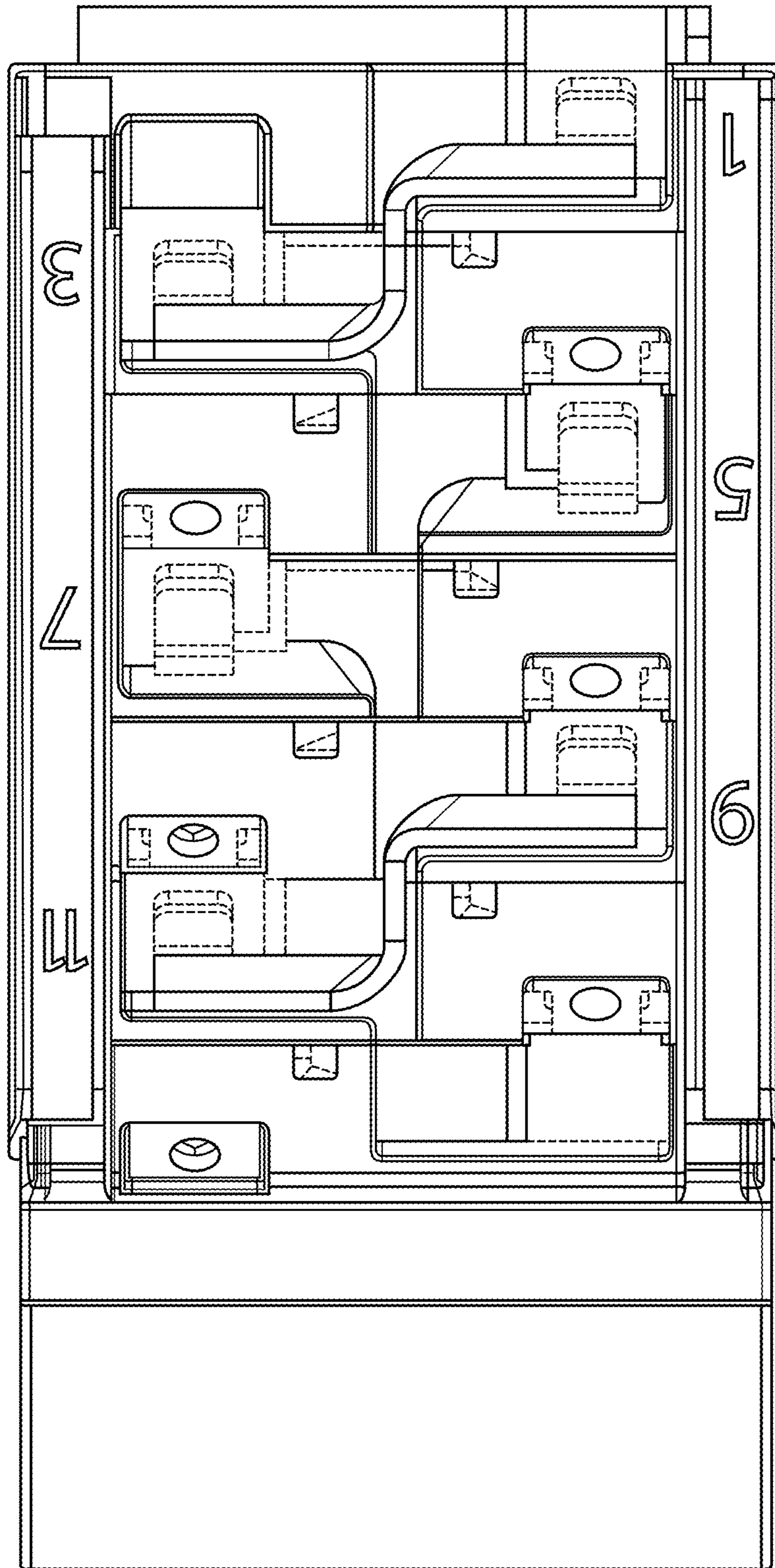


FIG. 6

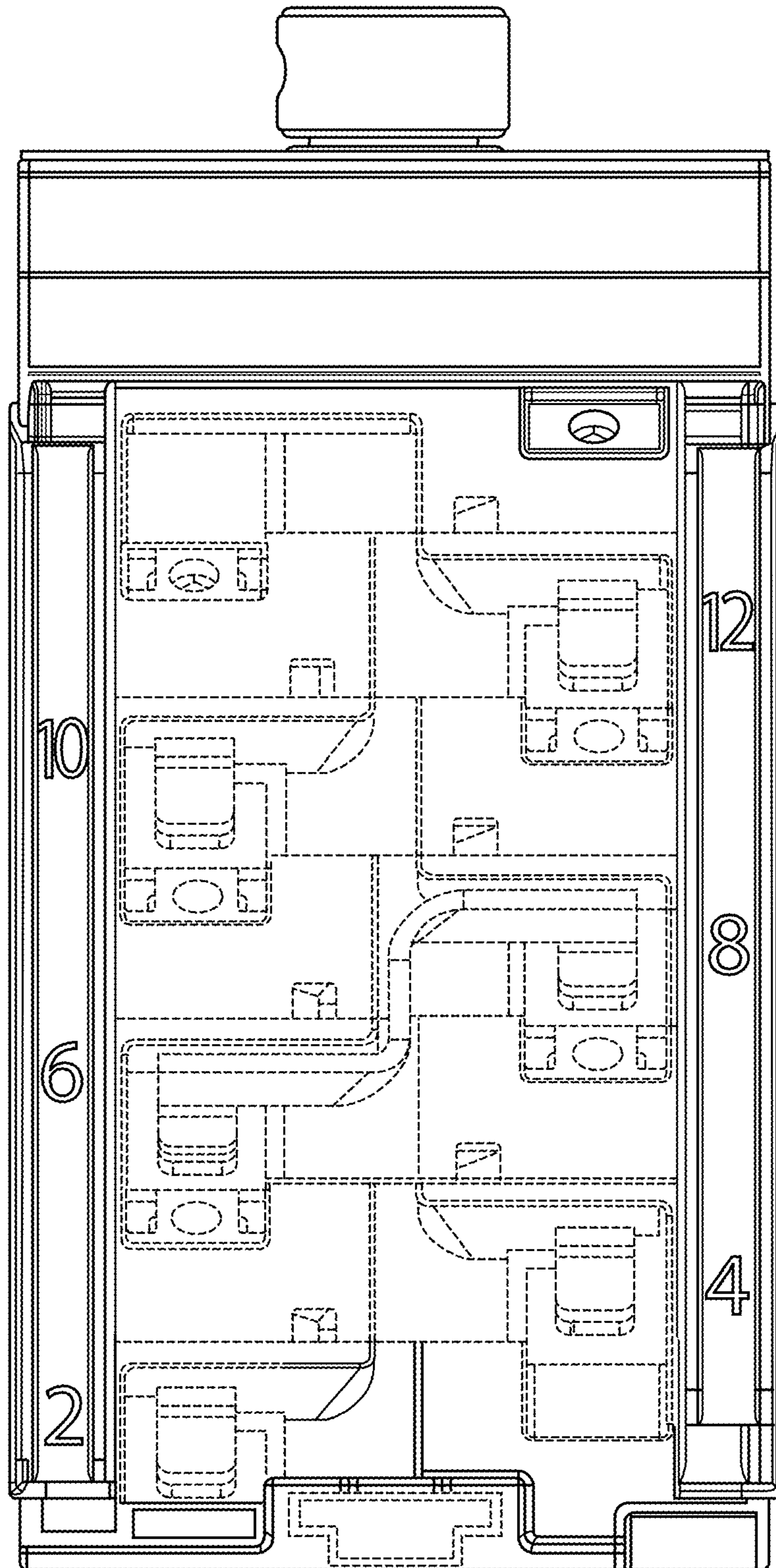


FIG. 7