



US00D792349S

(12) **United States Design Patent**  
**Rajala et al.**

(10) **Patent No.:** **US D792,349 S**  
(45) **Date of Patent:** **\*\* Jul. 18, 2017**

- (54) **SWITCH**
- (71) Applicant: **ABB Oy**, Helsinki (FI)
- (72) Inventors: **Juha-Matti Rajala**, Vaasa (FI); **Juha Soldan**, Vaasa (FI); **Oskari Uitto**, Vaasa (FI)
- (73) Assignee: **ABB Technology Oy**, Helsinki (FI)
- (\*\*) Term: **15 Years**
- (21) Appl. No.: **29/559,832**
- (22) Filed: **Mar. 31, 2016**

D697,873 S	1/2014	Uitto	
D713,801 S	9/2014	Johansson	
D714,733 S	10/2014	Johansson	
D738,323 S *	9/2015	Zheng	D13/158
D738,324 S	9/2015	Zheng	
D749,049 S *	2/2016	Zheng	D13/158
D749,050 S *	2/2016	Zheng	D13/158
D749,529 S	2/2016	Zheng	
D749,530 S	2/2016	Zheng	
D752,525 S *	3/2016	Zheng	D13/158
D752,526 S *	3/2016	Zheng	D13/158
D753,610 S *	4/2016	Zheng	D13/158
D756,309 S *	5/2016	Zheng	D13/158
D756,310 S *	5/2016	Zheng	D13/158
D756,311 S *	5/2016	Zheng	D13/158
D756,314 S *	5/2016	Zheng	D13/158
D756,315 S *	5/2016	Zheng	D13/158
D756,316 S *	5/2016	Zheng	D13/158
D767,512 S *	9/2016	Zheng	D13/158

(Continued)

**Related U.S. Application Data**

- (62) Division of application No. 29/524,077, filed on Apr. 16, 2015, now abandoned.

**Foreign Application Priority Data**

- Oct. 16, 2014 (EM) ..... 002558247
- (51) **LOC (10) Cl.** ..... **13-03**
- (52) **U.S. Cl.**  
USPC ..... **D13/158**
- (58) **Field of Classification Search**  
USPC ..... D13/110, 118, 123, 133, 149, 154,  
D13/158-161, 173, 184, 199  
CPC ..... H01H 19/00; H01H 19/02; H01H 1/20;  
H01H 1/06; H01H 1/00; H01H 9/00;  
H01H 3/00  
See application file for complete search history.

**References Cited**

**U.S. PATENT DOCUMENTS**

5,493,083 A	2/1996	Olivier
D590,351 S	4/2009	Lifran
D687,386 S	8/2013	Uitto

*Primary Examiner* — Thomas Johannes  
*Assistant Examiner* — Shawn T Gingrich  
 (74) *Attorney, Agent, or Firm* — Taft Stettinius & Hollister LLP

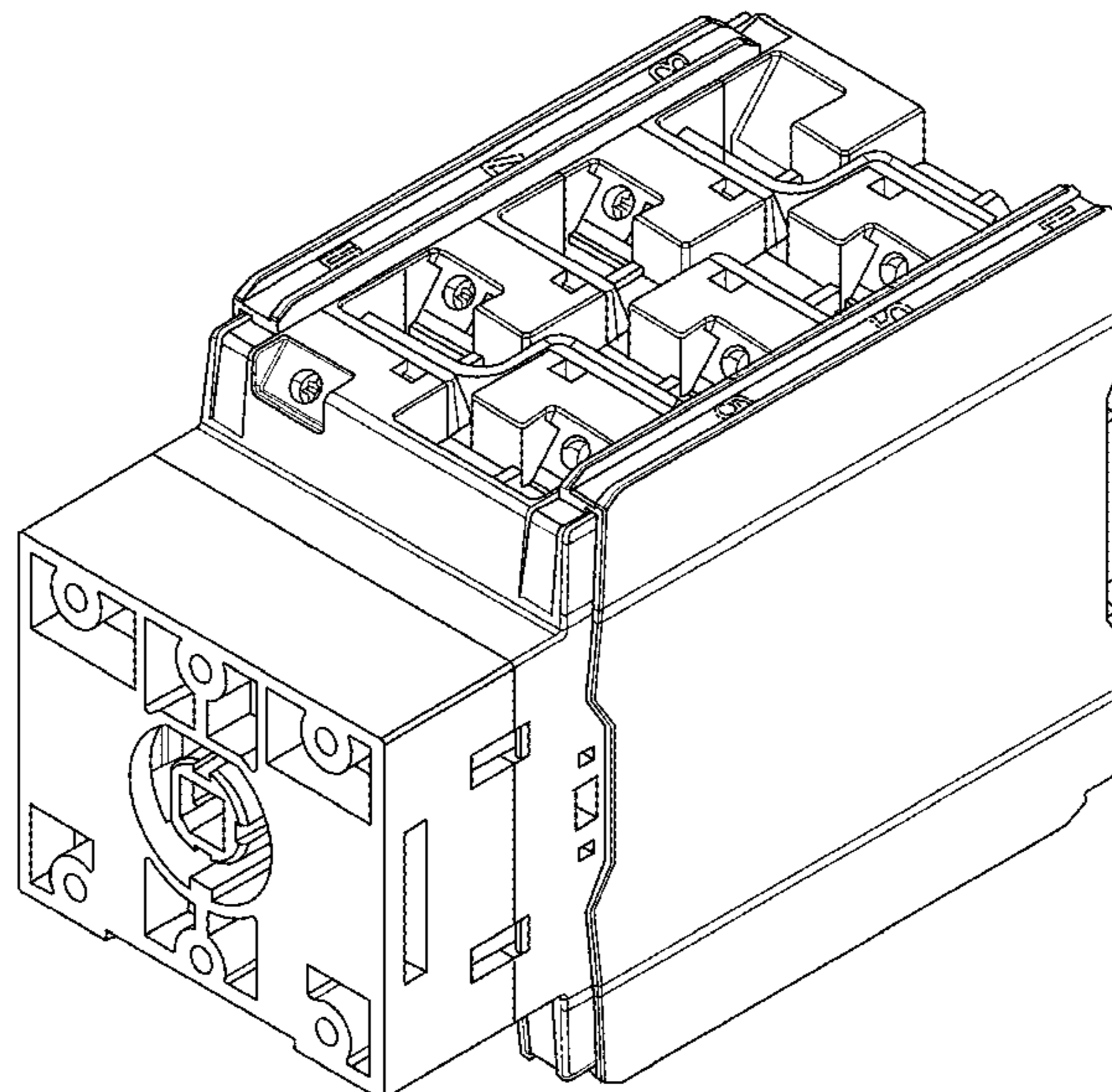
(57) **CLAIM**

The ornamental design for a switch, as shown and described.

**DESCRIPTION**

FIG. 1 is a perspective view of a switch showing our new design.  
 FIG. 2 is a front elevational view thereof.  
 FIG. 3 is a rear elevational view thereof.  
 FIG. 4 is right side elevational view thereof.  
 FIG. 5 is a left side elevational view thereof.  
 FIG. 6 is a top plan view thereof; and,  
 FIG. 7 is a bottom plan view thereof.  
 The broken line portion of the figure drawings is included to show portions of the article that form no part of the claimed design.

**1 Claim, 7 Drawing Sheets**



(56)

**References Cited**

U.S. PATENT DOCUMENTS

2014/0090969 A1 4/2014 Uitto  
2015/0287551 A1 10/2015 Uitto

\* cited by examiner

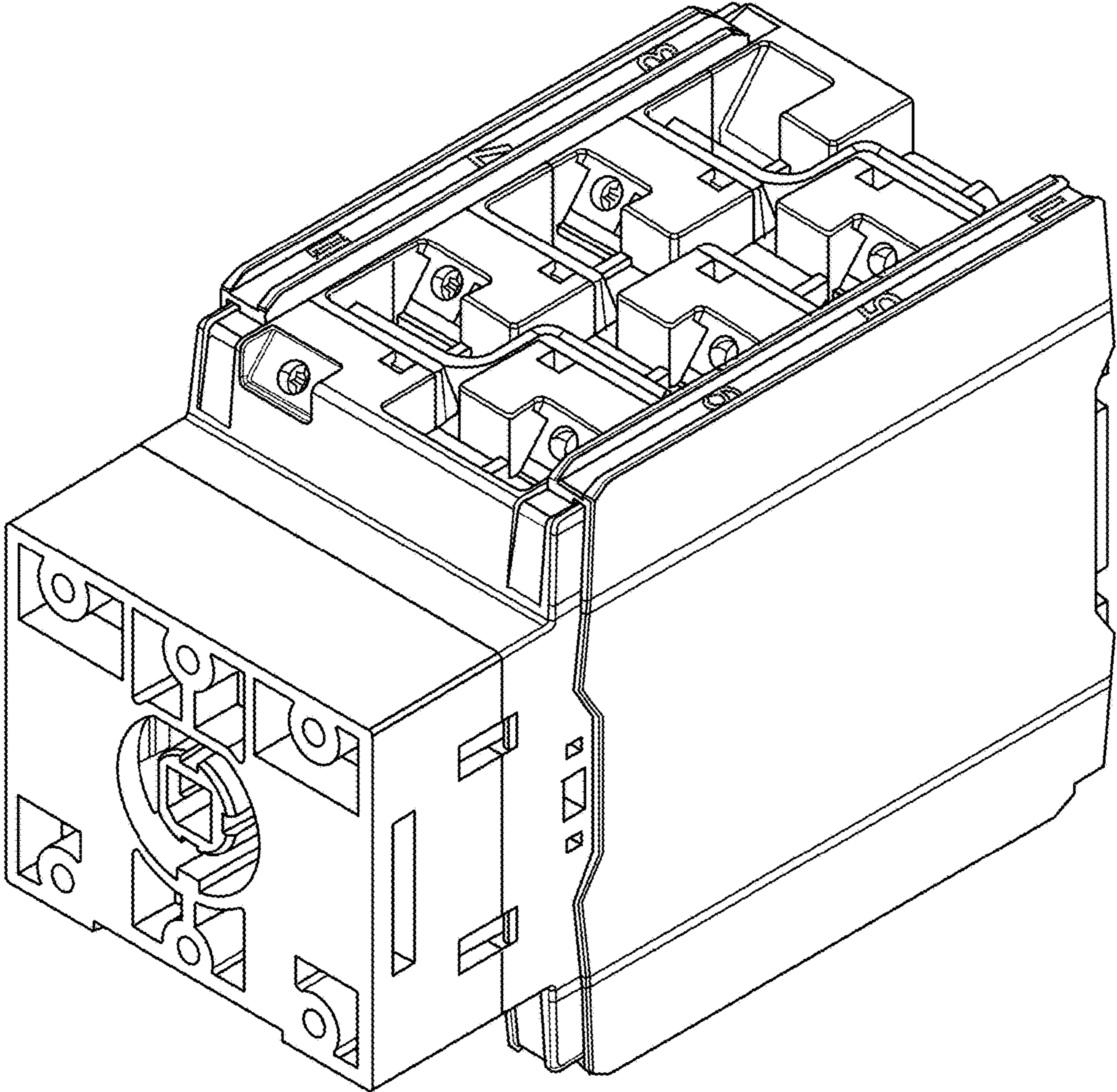


FIG. 1

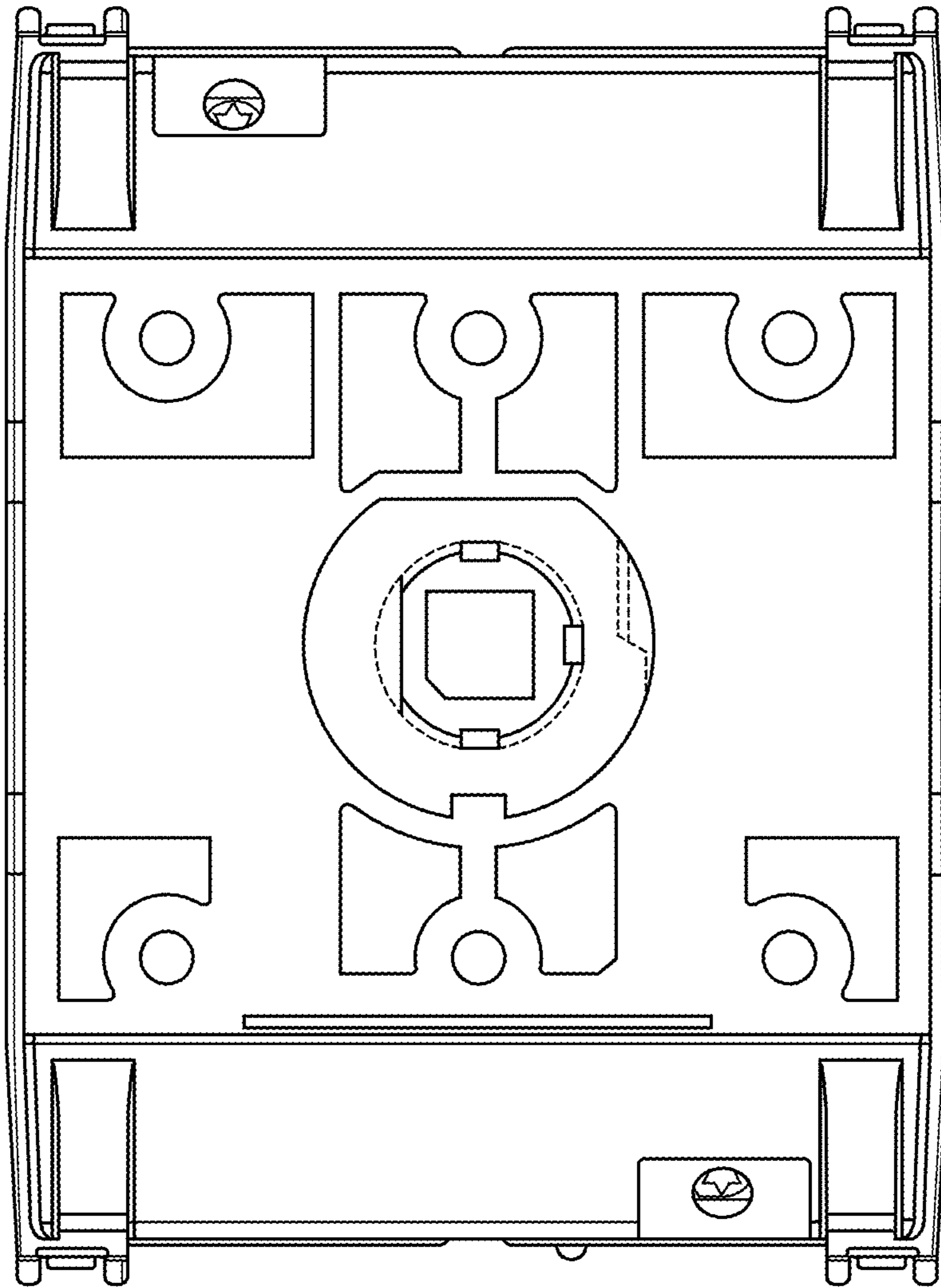


FIG. 2

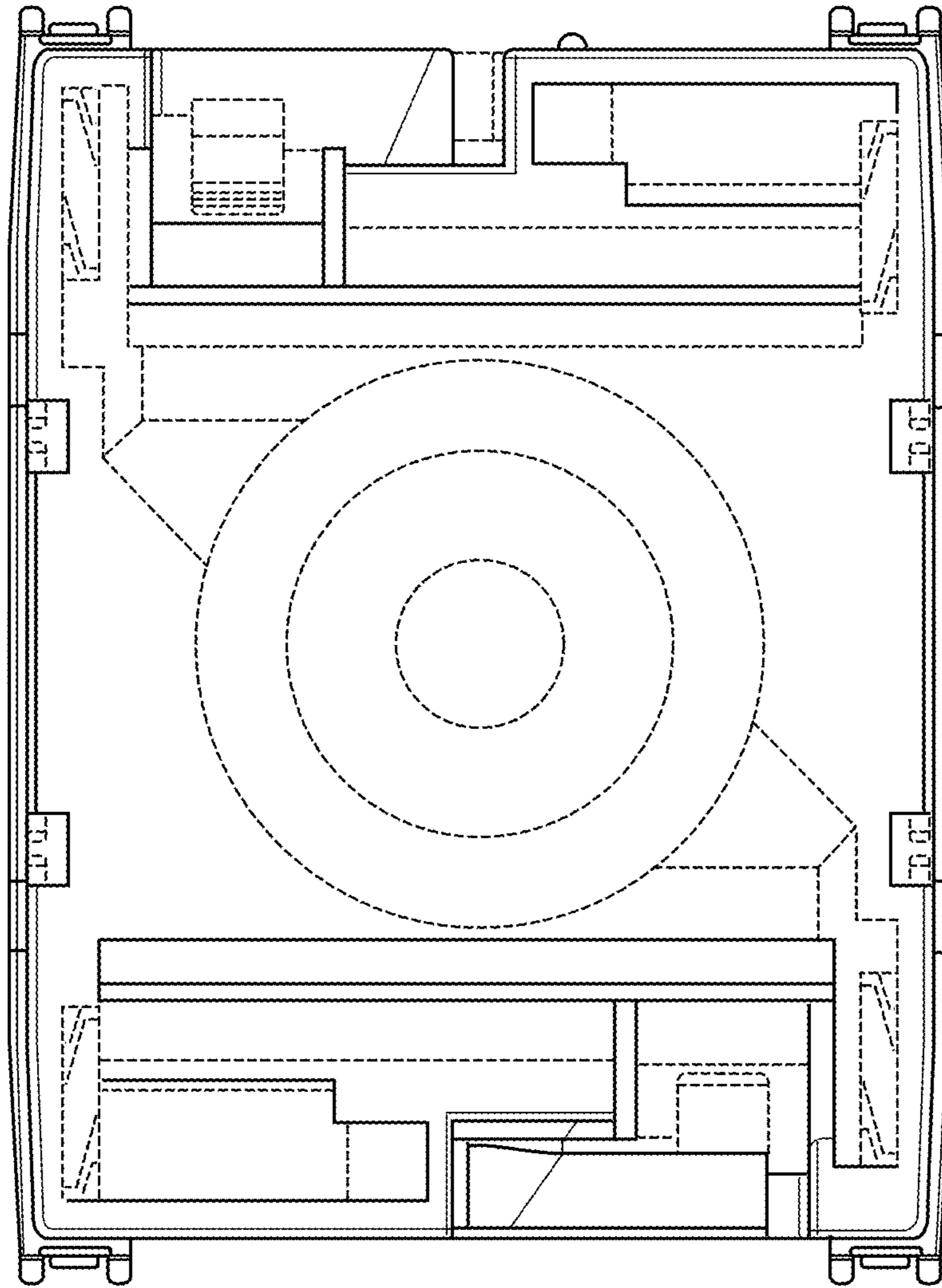


FIG. 3

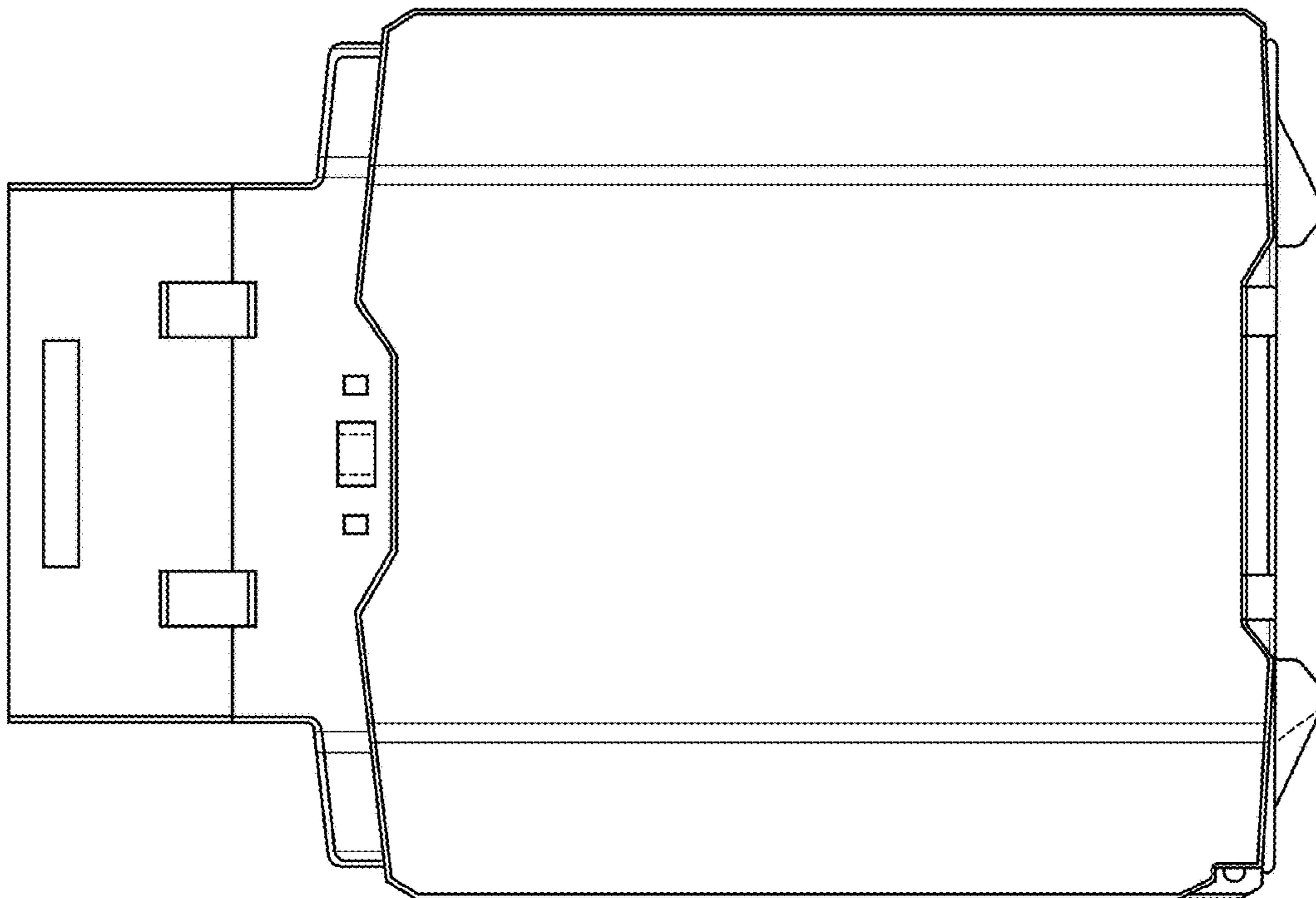


FIG. 4

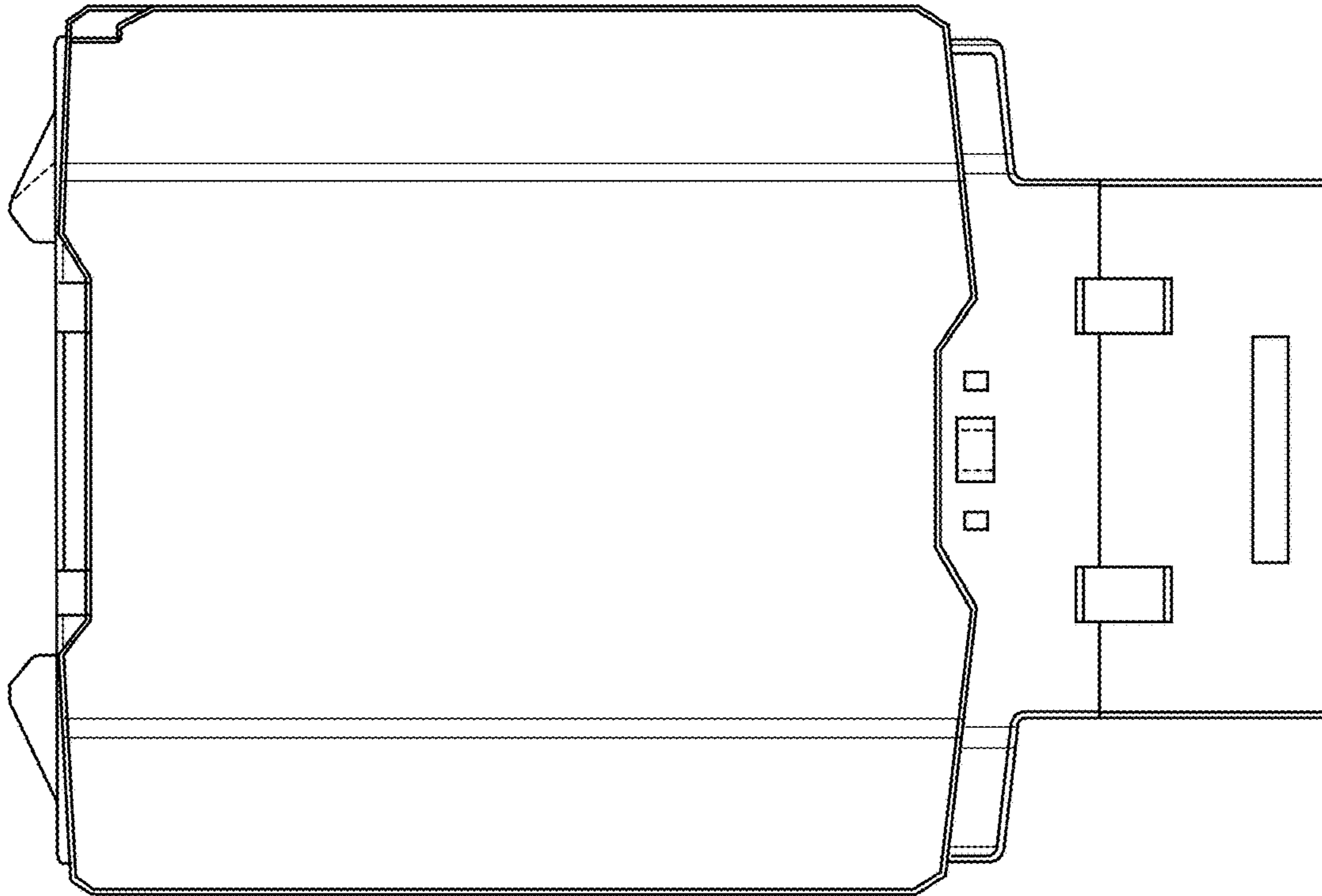


FIG. 5

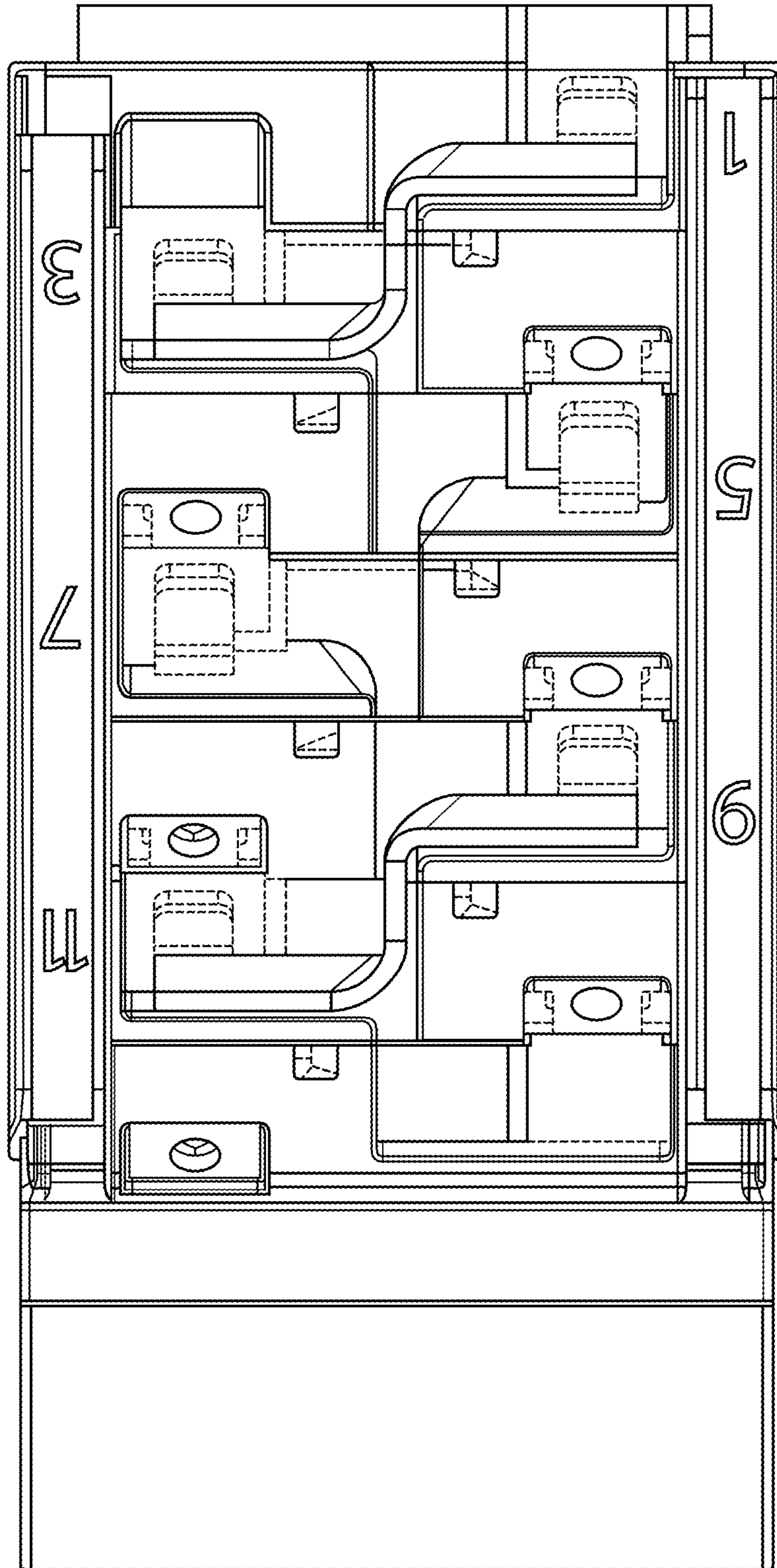


FIG. 6



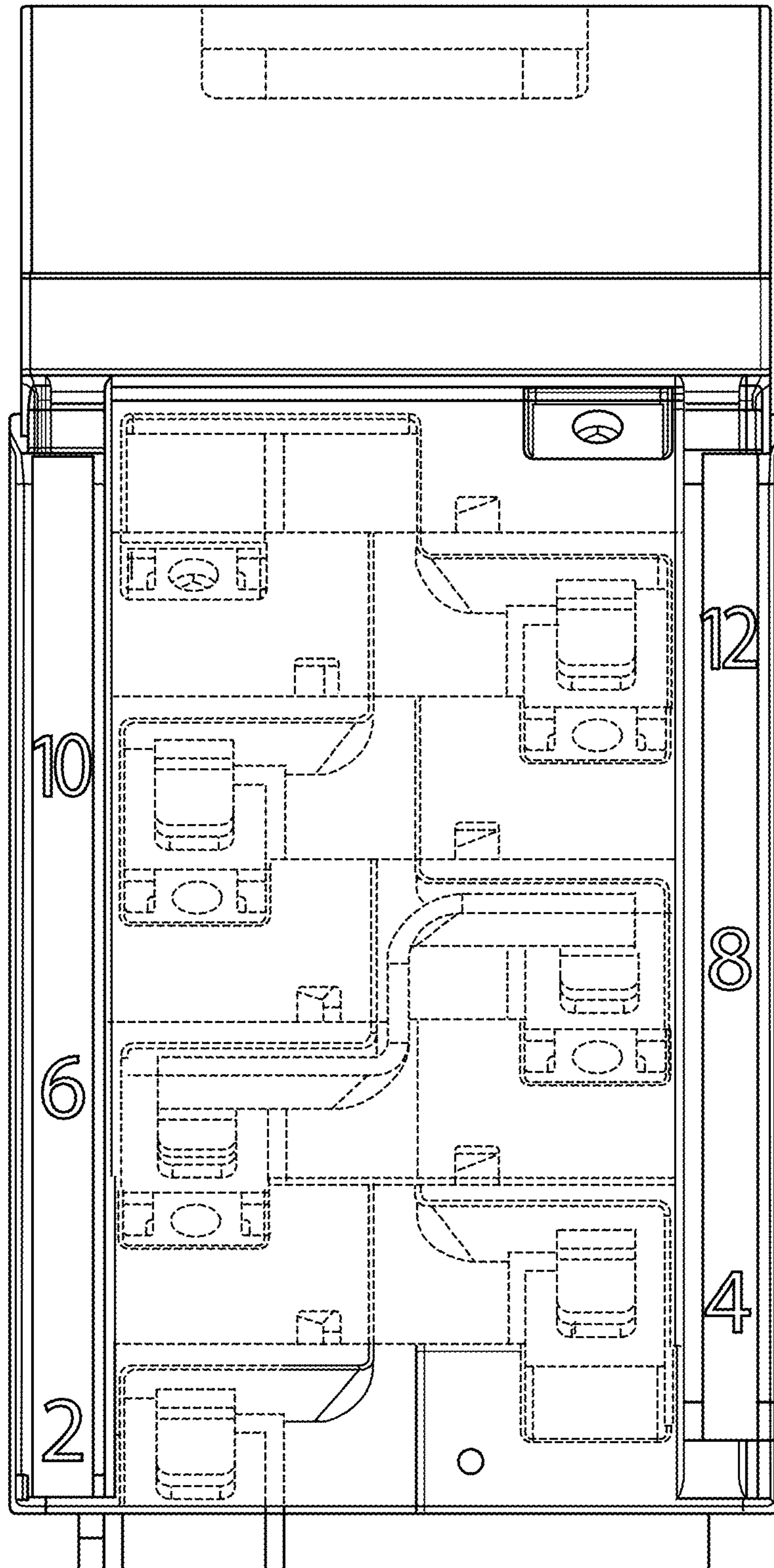


FIG. 7