



US00D792348S

(12) **United States Design Patent** (10) **Patent No.:** **US D792,348 S**  
**Rajala et al.** (45) **Date of Patent:** **\*\* Jul. 18, 2017**

- (54) **SWITCH**
- (71) Applicant: **ABB Oy**, Helsinki (FI)
- (72) Inventors: **Juha-Matti Rajala**, Vaasa (FI); **Juha Soldan**, Vaasa (FI); **Oskari Uitto**, Vaasa (FI)
- (73) Assignee: **ABB Oy**, Helsinki (FI)
- (\*\*) Term: **15 Years**
- (21) Appl. No.: **29/559,819**
- (22) Filed: **Mar. 31, 2016**

- D697,873 S 1/2014 Uitto
- D713,801 S 9/2014 Johansson
- D714,733 S 10/2014 Johansson
- D738,323 S 9/2015 Zheng
- D738,324 S \* 9/2015 Zheng ..... D13/158
- D749,049 S \* 2/2016 Zheng ..... D13/158
- D749,050 S \* 2/2016 Zheng ..... D13/158
- D749,529 S 2/2016 Zheng
- D749,530 S 2/2016 Zheng
- D752,525 S \* 3/2016 Zheng ..... D13/158
- D752,526 S \* 3/2016 Zheng ..... D13/158
- D753,610 S \* 4/2016 Zheng ..... D13/158
- D756,309 S \* 5/2016 Zheng ..... D13/158
- D756,310 S \* 5/2016 Zheng ..... D13/158
- D756,311 S \* 5/2016 Zheng ..... D13/158
- D756,314 S \* 5/2016 Zheng ..... D13/158
- D756,315 S \* 5/2016 Zheng ..... D13/158
- D756,316 S \* 5/2016 Zheng ..... D13/158
- D767,512 S \* 9/2016 Zheng ..... D13/158

**Related U.S. Application Data**

- (62) Division of application No. 29/524,077, filed on Apr. 16, 2015, now abandoned.

**Foreign Application Priority Data**

- Oct. 16, 2014 (EM) ..... 002558247
- (51) **LOC (10) Cl.** ..... **13-03**
- (52) **U.S. Cl.**  
USPC ..... **D13/158**
- (58) **Field of Classification Search**  
USPC ..... D13/110, 118, 123, 133, 149, 154,  
D13/158-161, 173, 184, 199  
CPC ..... H01H 19/00; H01H 19/02; H01H 1/20;  
H01H 1/06; H01H 1/00; H01H 9/00;  
H01H 3/00  
See application file for complete search history.

**References Cited**

**U.S. PATENT DOCUMENTS**

- 5,493,083 A 2/1996 Olivier
- D590,351 S 4/2009 Lifran
- D687,386 S 8/2013 Uitto

(Continued)

*Primary Examiner* — Thomas Johannes  
*Assistant Examiner* — Shawn T Gingrich  
 (74) *Attorney, Agent, or Firm* — Taft Stettinius & Hollister LLP

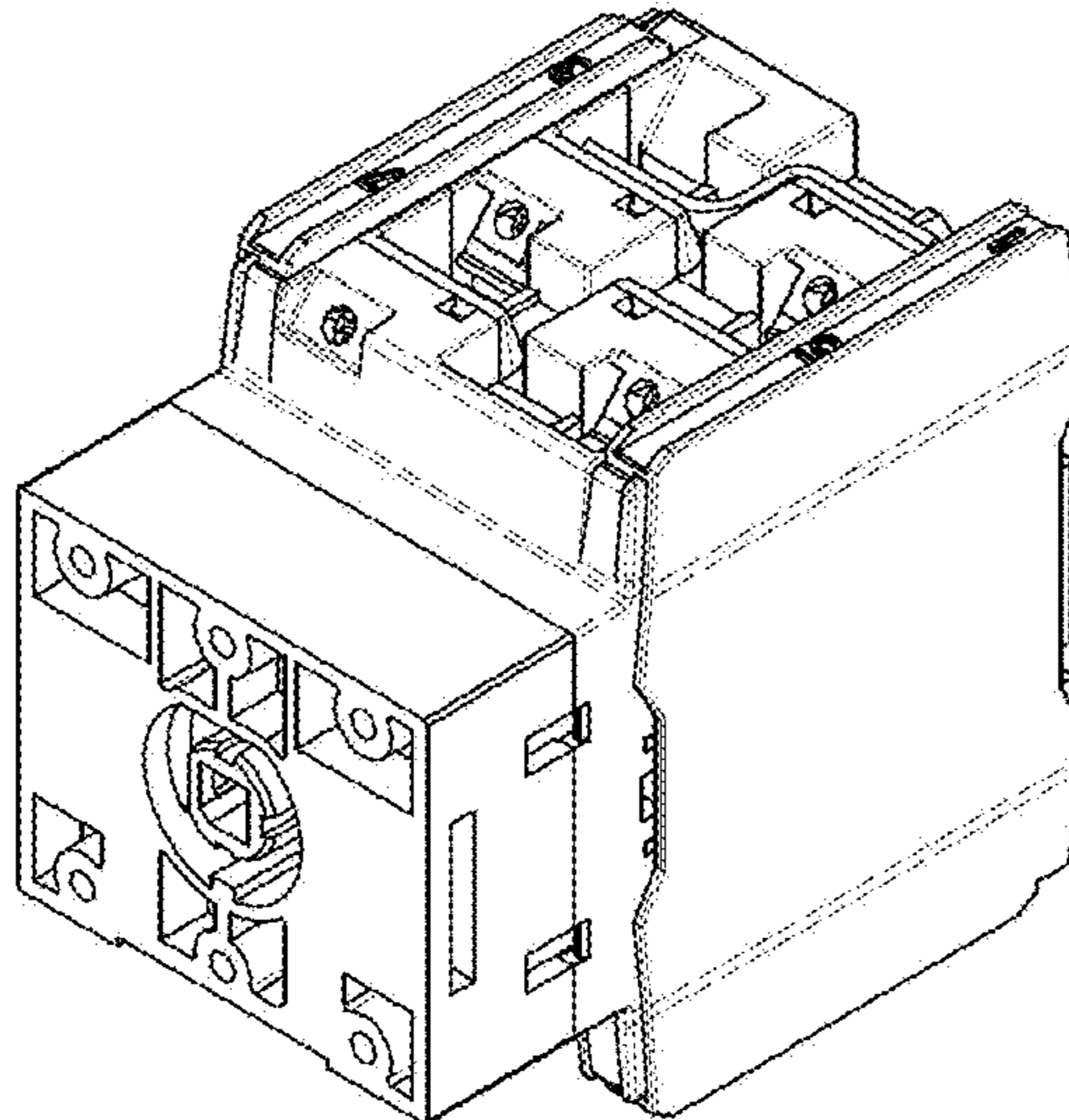
(57) **CLAIM**

The ornamental design for a switch, as shown and described.

**DESCRIPTION**

FIG. 1 is a perspective view of a switch showing our new design.  
 FIG. 2 is a front elevational view thereof.  
 FIG. 3 is a rear elevational view thereof.  
 FIG. 4 is right side elevational view thereof.  
 FIG. 5 is a left side elevational view thereof.  
 FIG. 6 is a top plan view thereof; and,  
 FIG. 7 is a bottom plan view thereof.  
 The broken line portion of the figure drawings is included to show portions of the article that form no part of the claimed design.

**1 Claim, 7 Drawing Sheets**



(56)

**References Cited**

U.S. PATENT DOCUMENTS

2014/0090969 A1 4/2014 Uitto  
2015/0287551 A1 10/2015 Uitto

\* cited by examiner

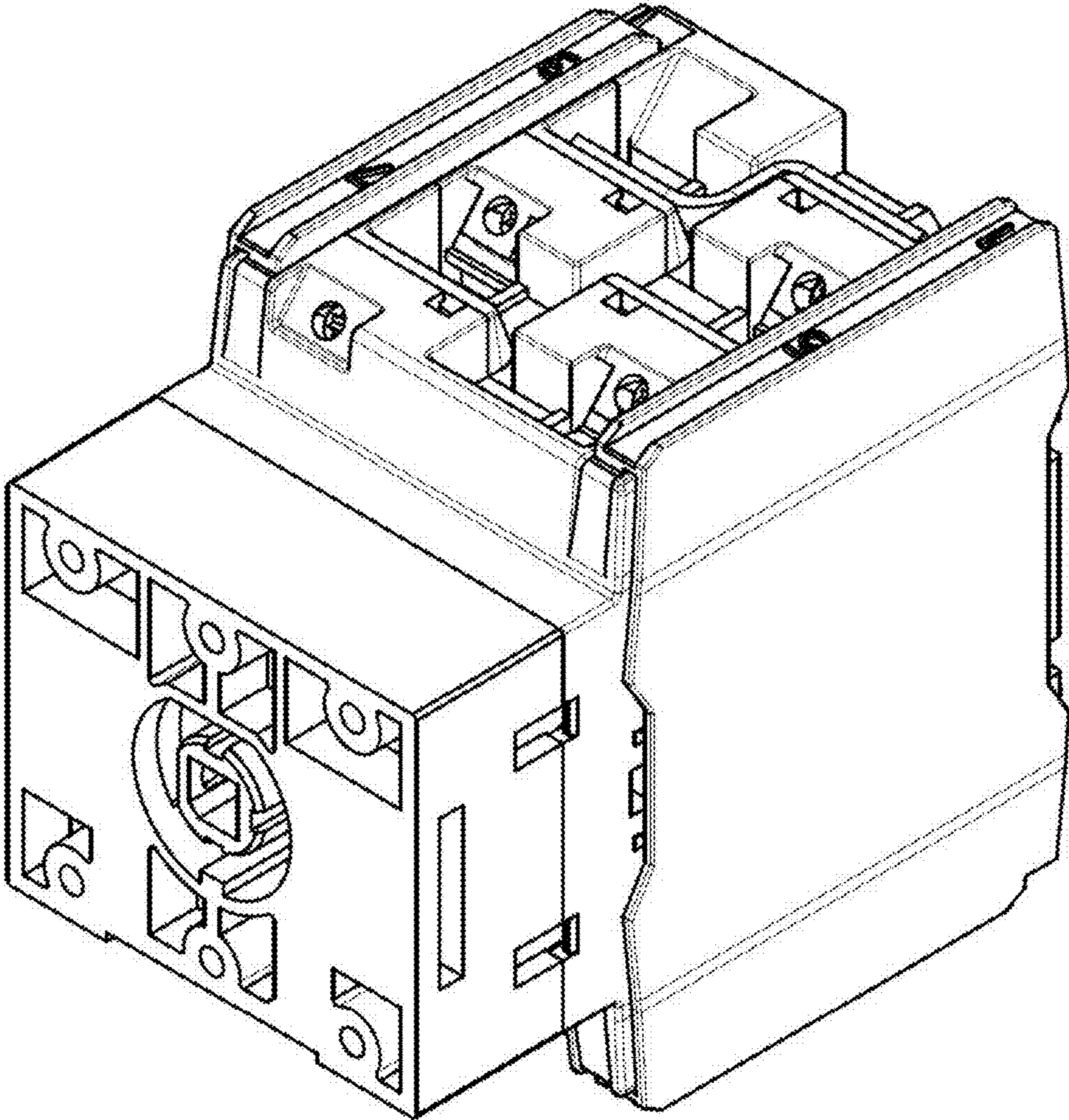


FIG. 1

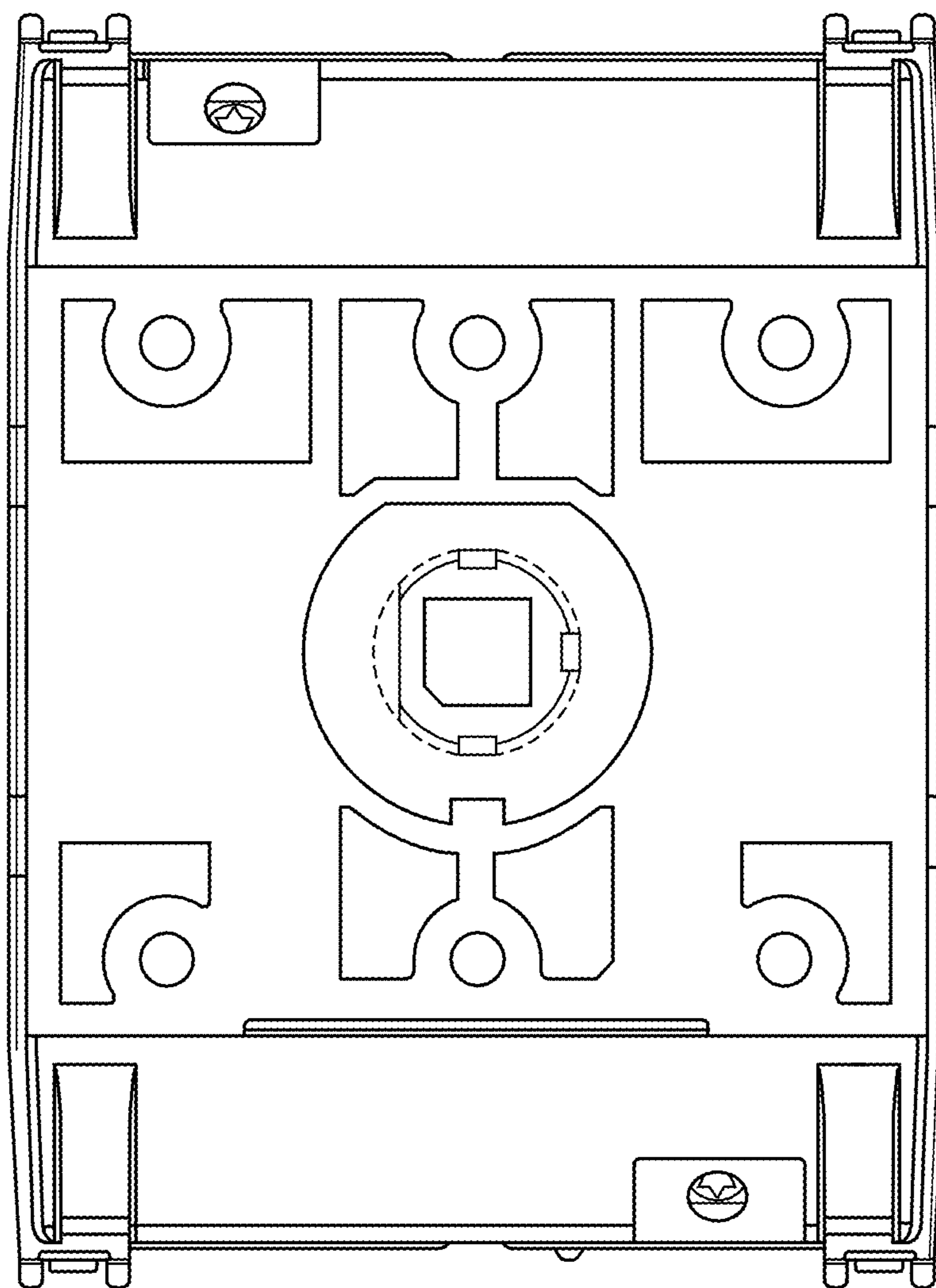


FIG. 2



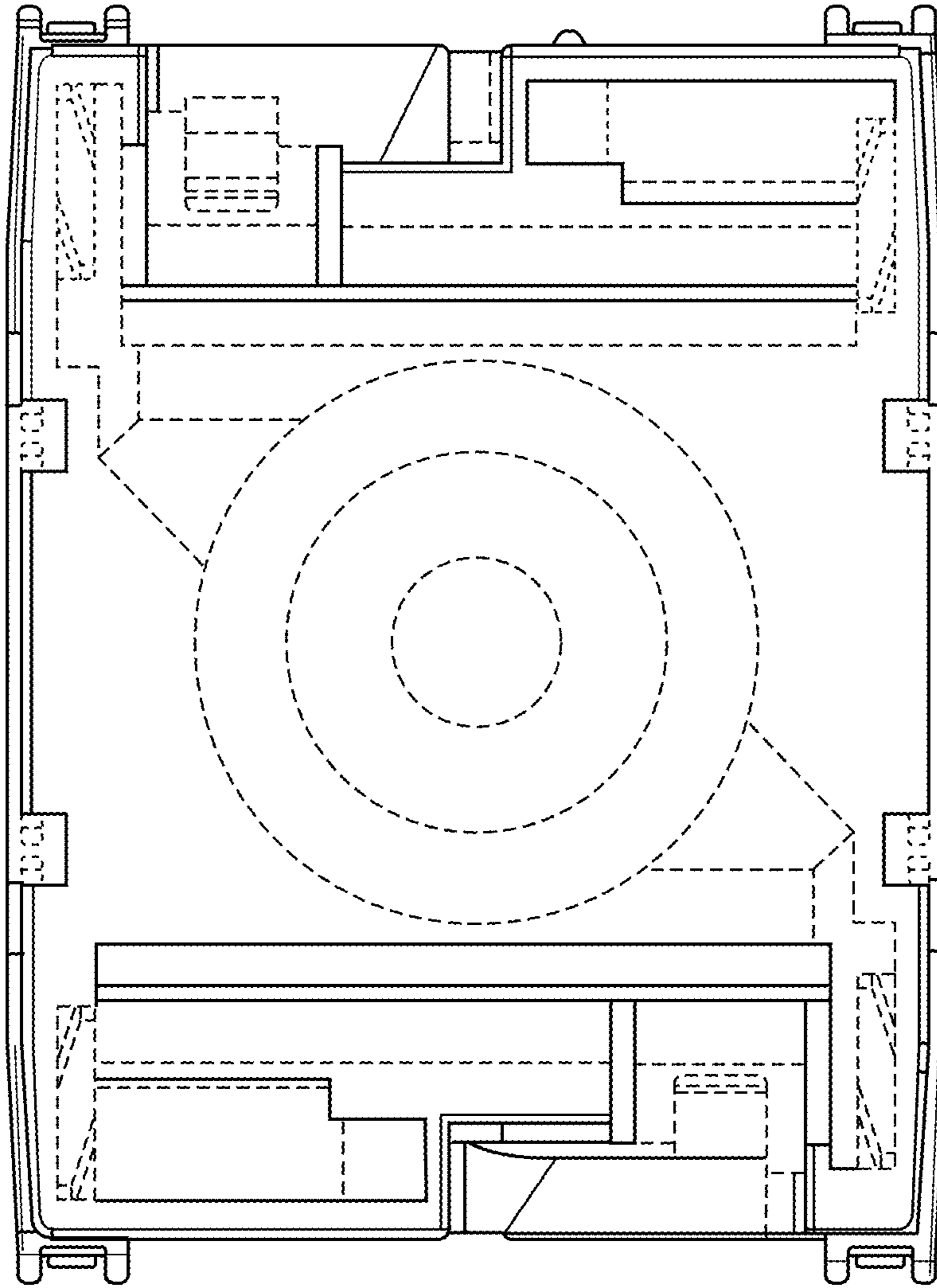


FIG. 3

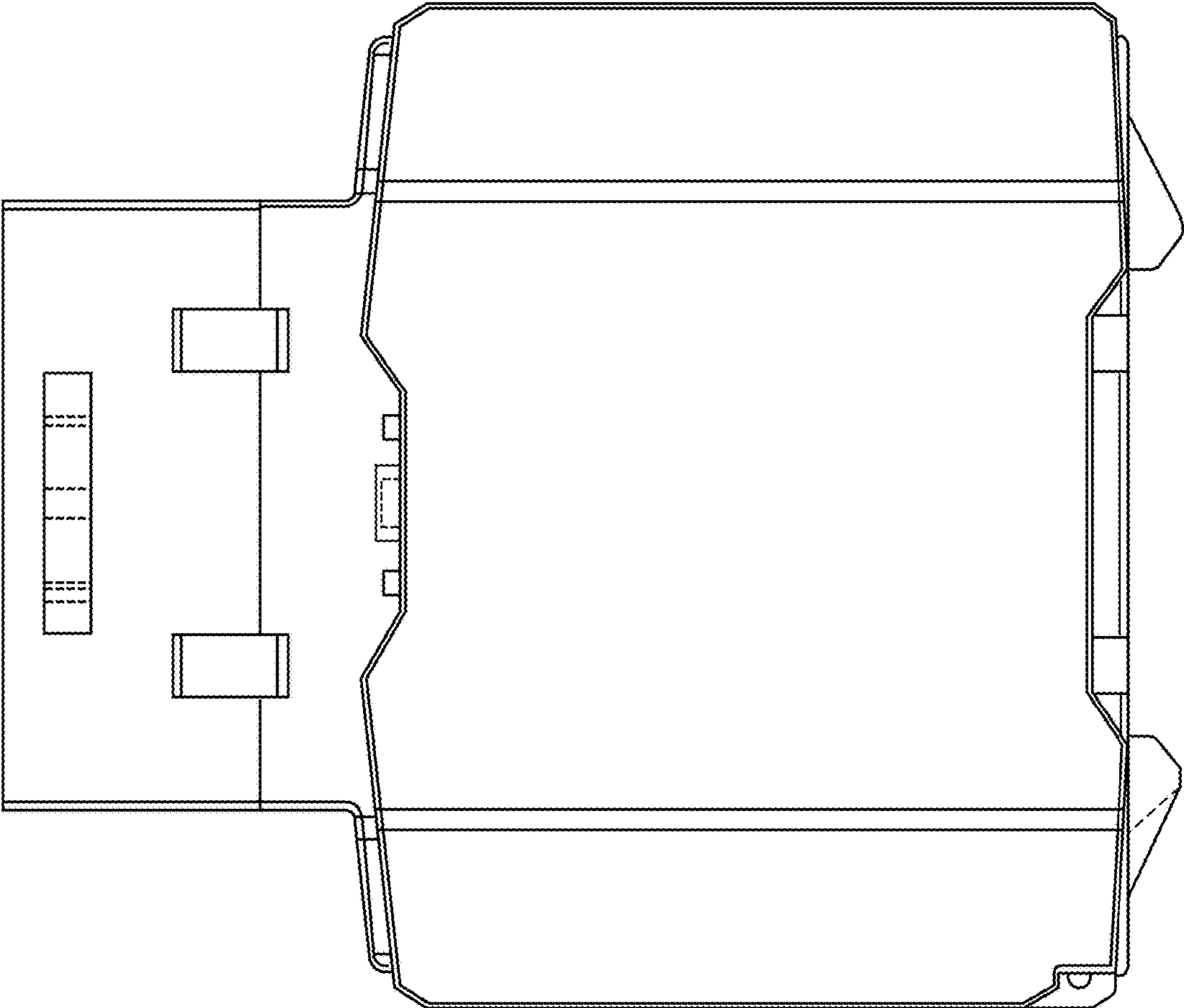


FIG. 4

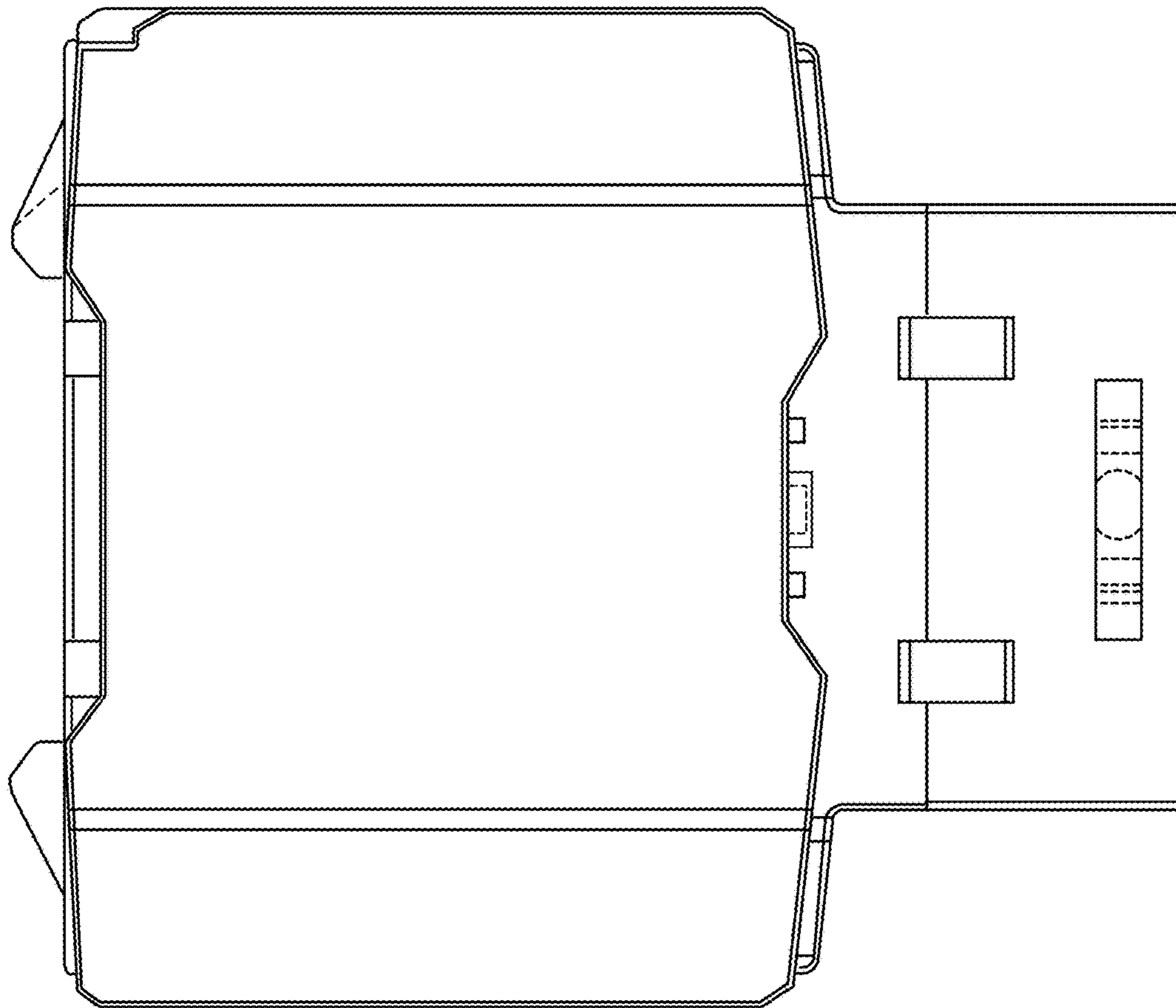


FIG. 5

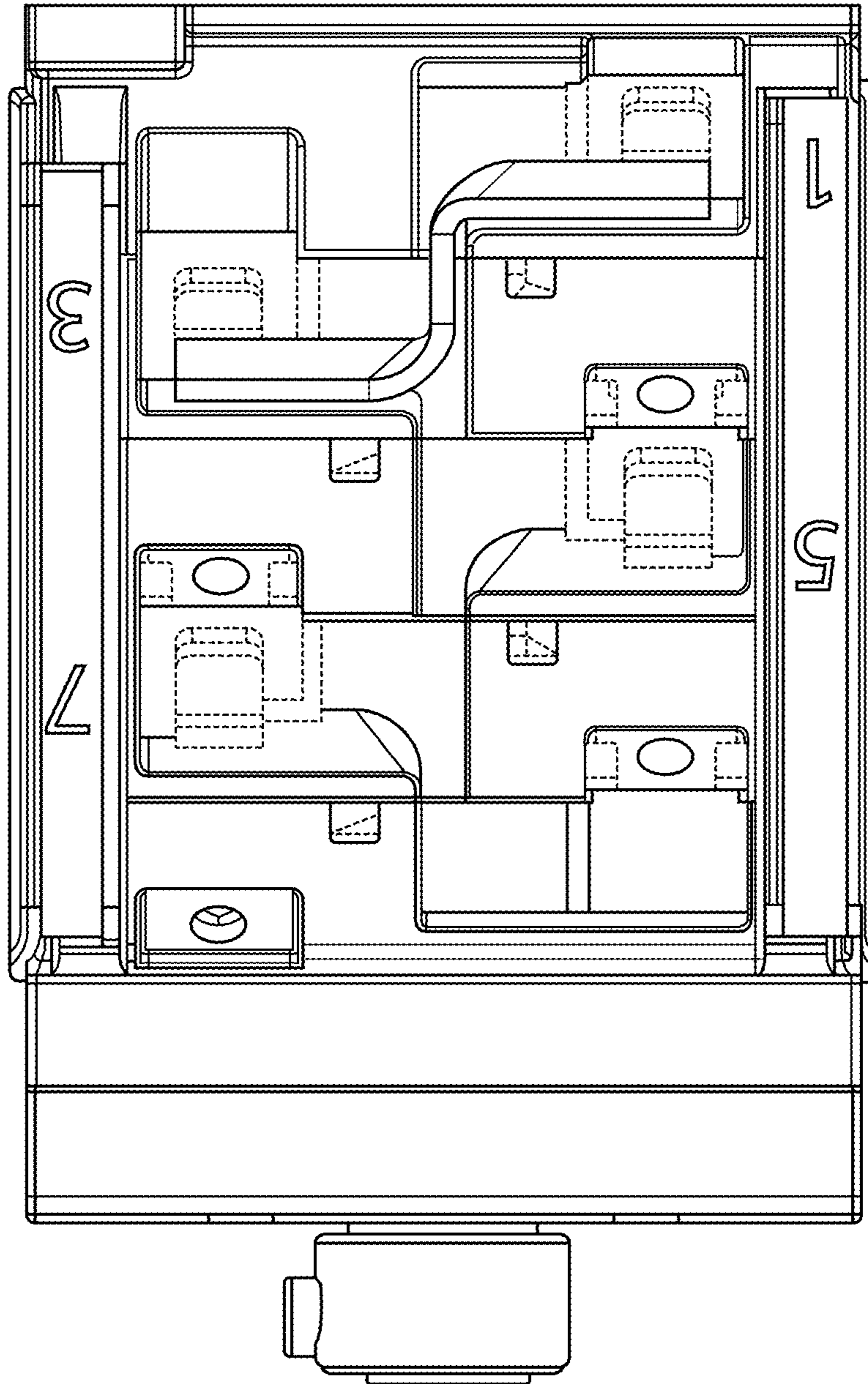


FIG. 6



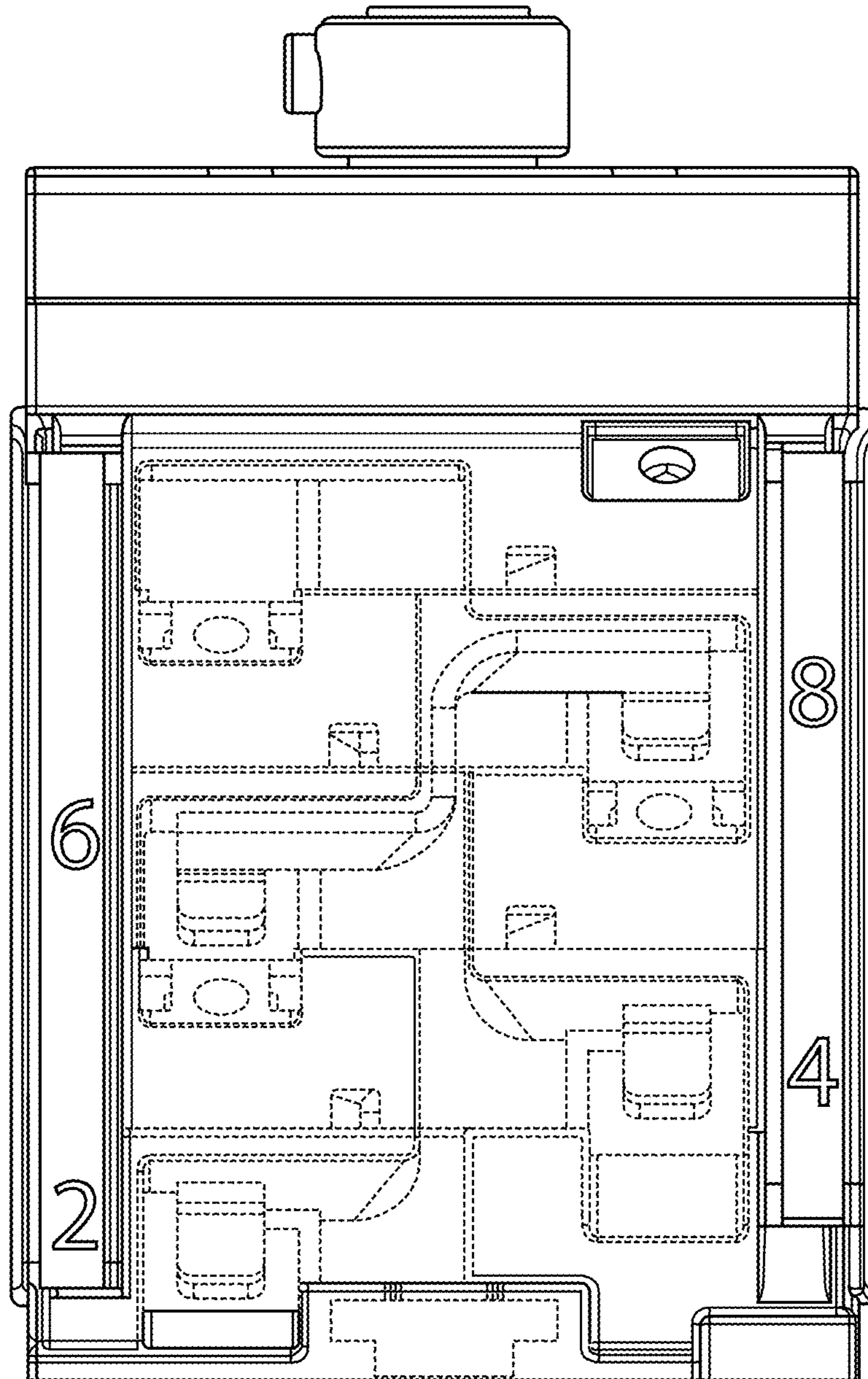


FIG. 7