



US00D792347S

(12) **United States Design Patent** (10) **Patent No.:** **US D792,347 S**
Callahan et al. (45) **Date of Patent:** **** Jul. 18, 2017**

(54) **ELECTRICAL CONNECTOR** 4,828,513 A 5/1989 Morrison et al.
5,007,857 A * 4/1991 Wright H01R 13/717
439/490
(71) Applicant: **The Wiremold Company**, West 5,322,449 A * 6/1994 Pizano H01R 31/06
Hartford, CT (US) 439/222
(72) Inventors: **Daron Callahan**, New Britain, CT 5,453,579 A 9/1995 Cohea
(US); **Peter M. Schneider**, North 5,886,300 A 3/1999 Strickler
Richland Hills, TX (US); **David Singer**, D409,567 S * 5/1999 Carmo D13/139.1
Austin, TX (US); **Kenneth J. Buras**, D484,097 S 12/2003 Drane et al.
Spring, TX (US) 6,685,195 B2 * 2/2004 Uchida B60R 16/022
16/2.1
D489,329 S * 5/2004 Shatkin D13/138.2
(73) Assignee: **The Wiremold Company**, West
Hartford, CT (US) (Continued)

(**) Term: **15 Years**

(21) Appl. No.: **29/564,149**

(22) Filed: **May 11, 2016**

Related U.S. Application Data

(63) Continuation of application No. 14/180,930, filed on Feb. 14, 2014, which is a continuation of application No. 13/247,573, filed on Sep. 28, 2011, now Pat. No. 8,651,460.

(51) **LOC (10) Cl.** **13-03**

(52) **U.S. Cl.**
USPC **D13/139.7**

(58) **Field of Classification Search**
USPC ... D13/139.1-139.8, 138.2, 137.2, 146, 152,
D13/110, 108, 147, 133, 162, 156;
D8/356; 16/2.1; 254/134.3 R; 439/490,
439/222; 174/64
CPC .. H01R 13/717; H01R 13/5816; H01R 31/06;
B60R 16/0222
See application file for complete search history.

(56) **References Cited**

U.S. PATENT DOCUMENTS

3,509,356 A 4/1970 Peebles
4,424,407 A 1/1984 Barbic

Primary Examiner — Rhea Shields

(74) *Attorney, Agent, or Firm* — McCormick, Paulding & Huber LLP

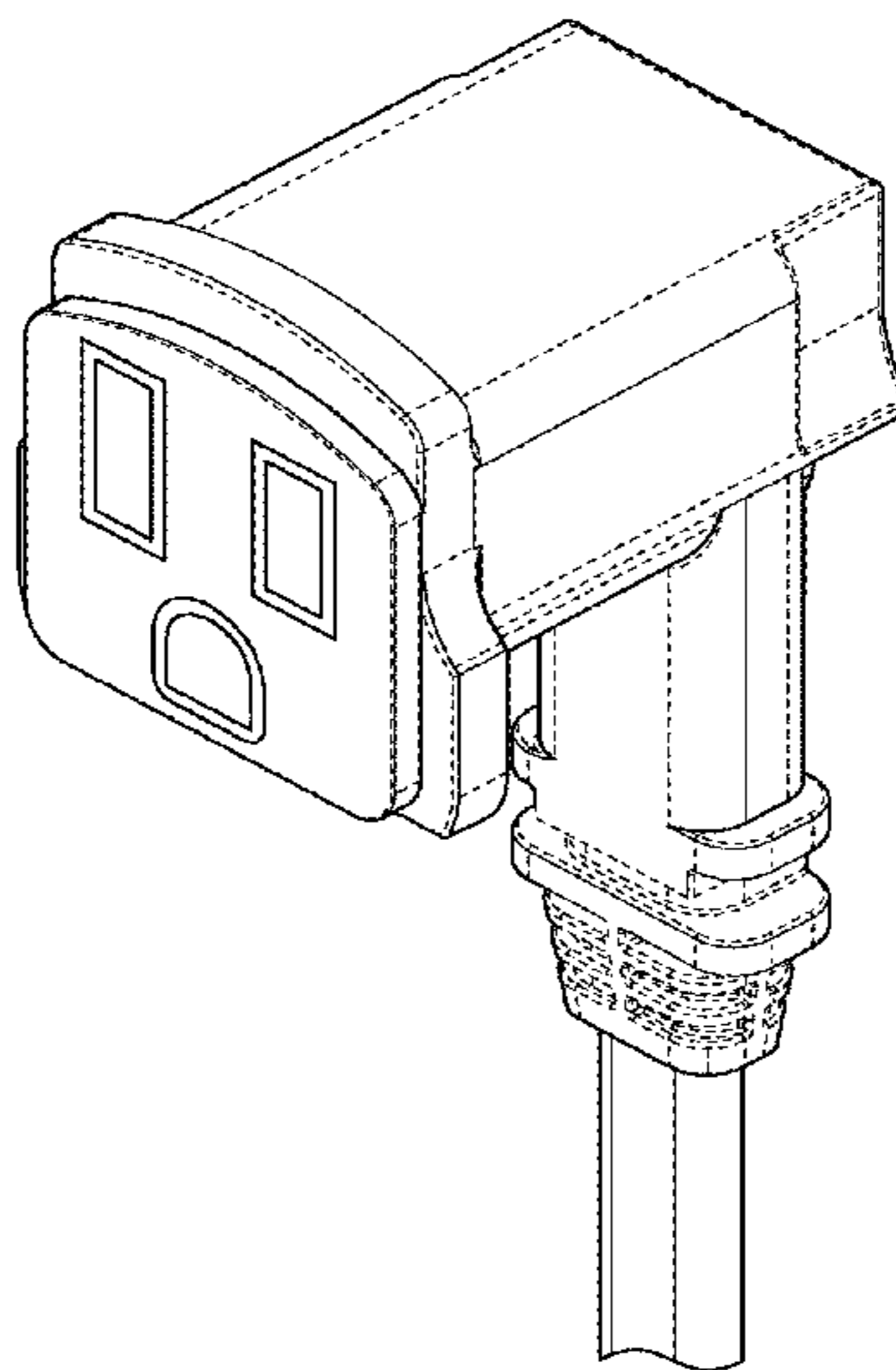
(57) **CLAIM**

The ornamental design for an electrical connector, as shown and described.

DESCRIPTION

FIG. 1 is a front, top, right side perspective view of a first embodiment of the electrical connector, showing our new design;
FIG. 2 is a front view thereof;
FIG. 3 is a right side view thereof (left side view being a mirror image thereof);
FIG. 4 is a top view thereof;
FIG. 5 is a front, top, right side perspective view of a second embodiment of the electrical connector, showing our new design;
FIG. 6 is a front view thereof;
FIG. 7 is a right side view thereof (left side view being a mirror image thereof); and,
FIG. 8 is a top view thereof.
In the drawings, the broken lines are for the purpose of illustrating environment only and form no part of the claimed design.

1 Claim, 6 Drawing Sheets



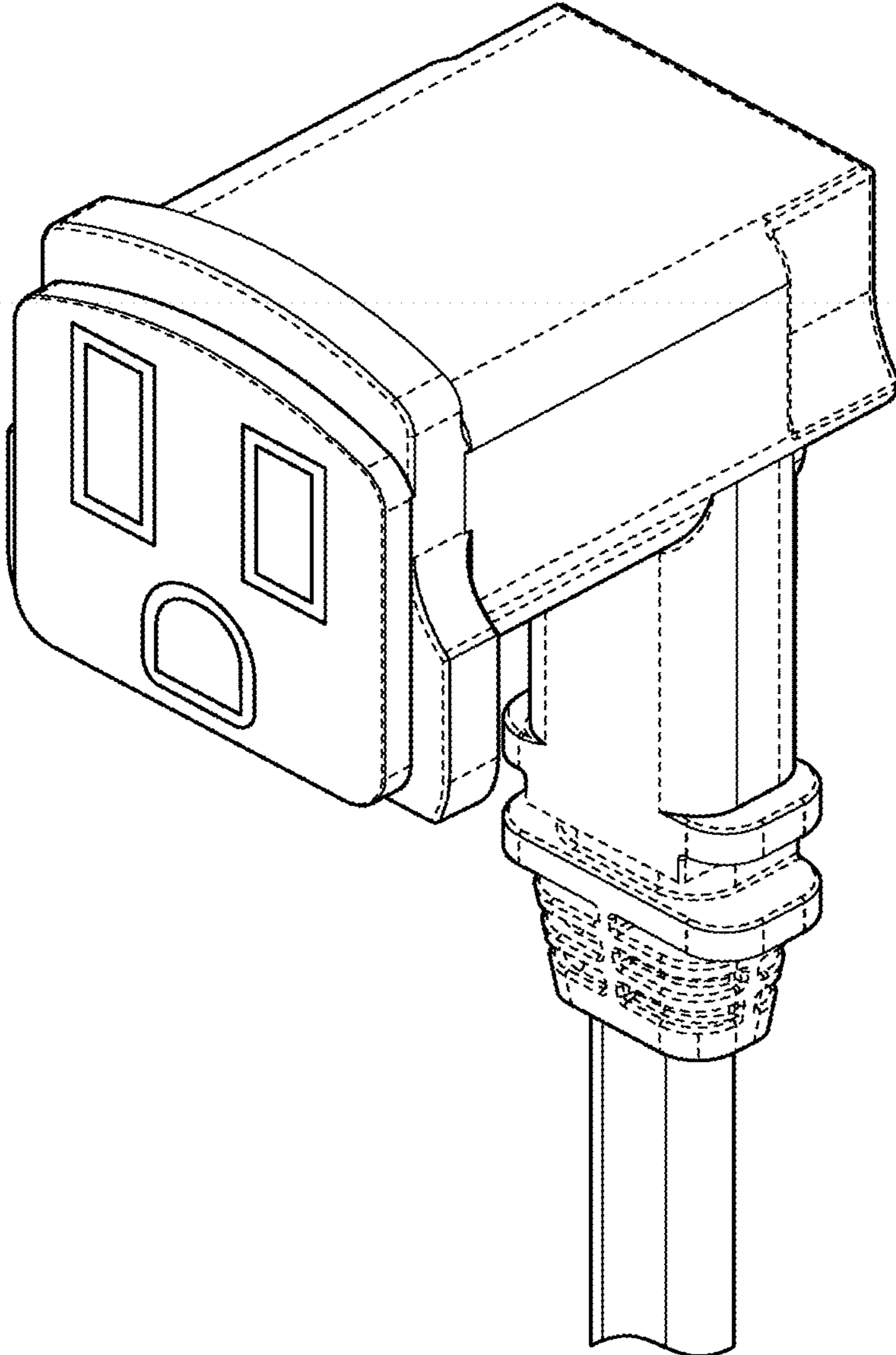


FIG. 1

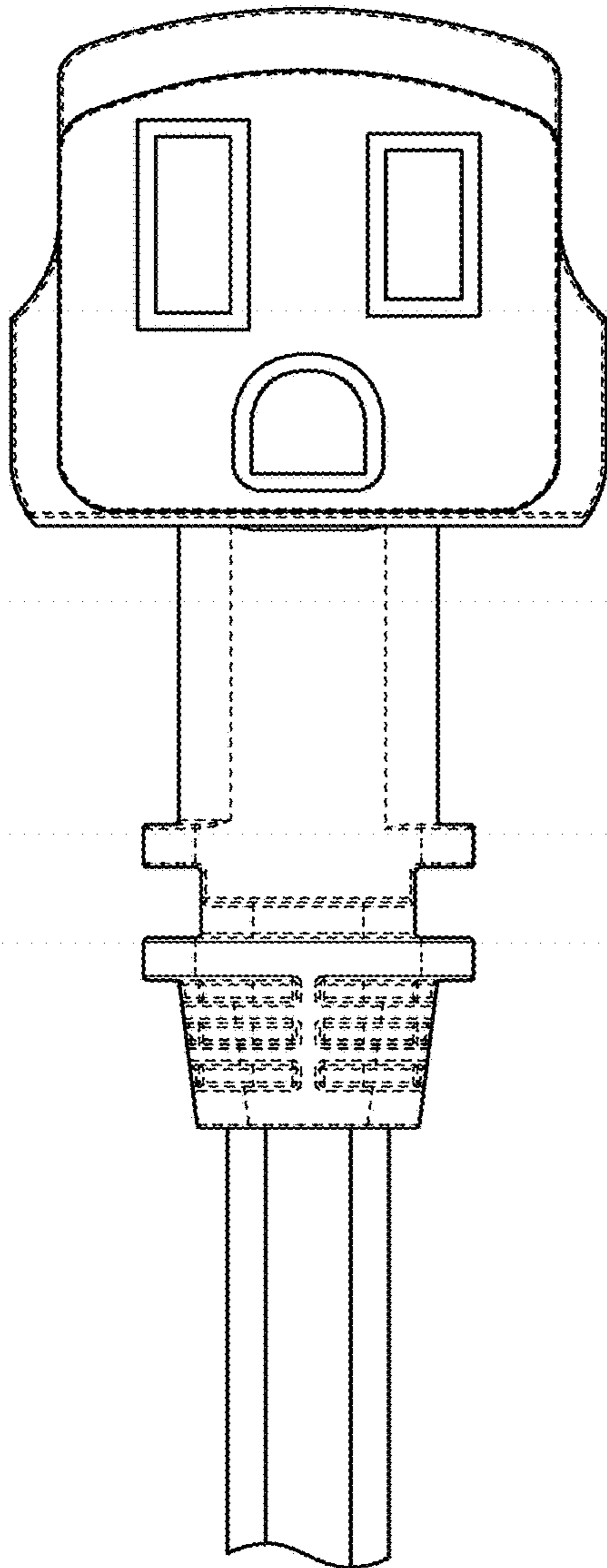


FIG. 2

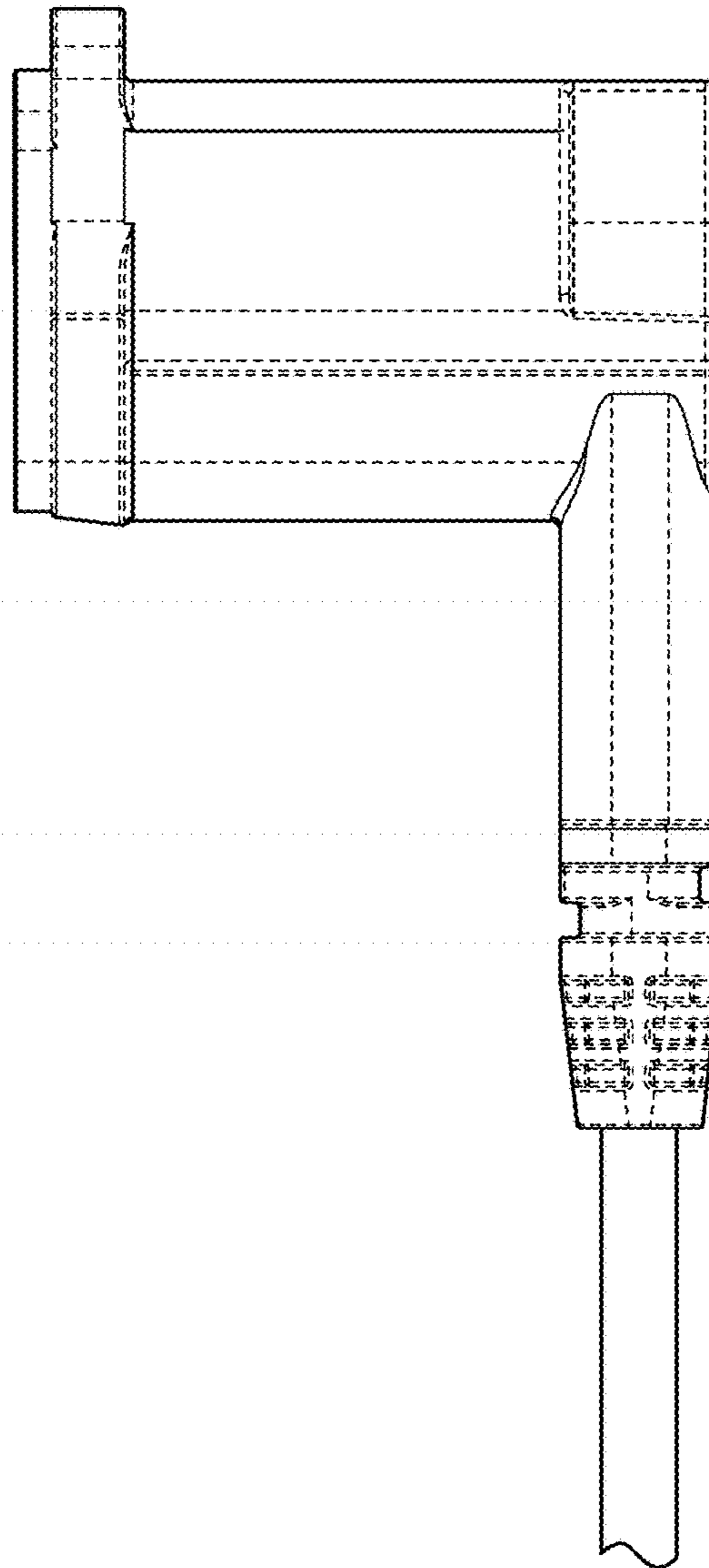


FIG. 3

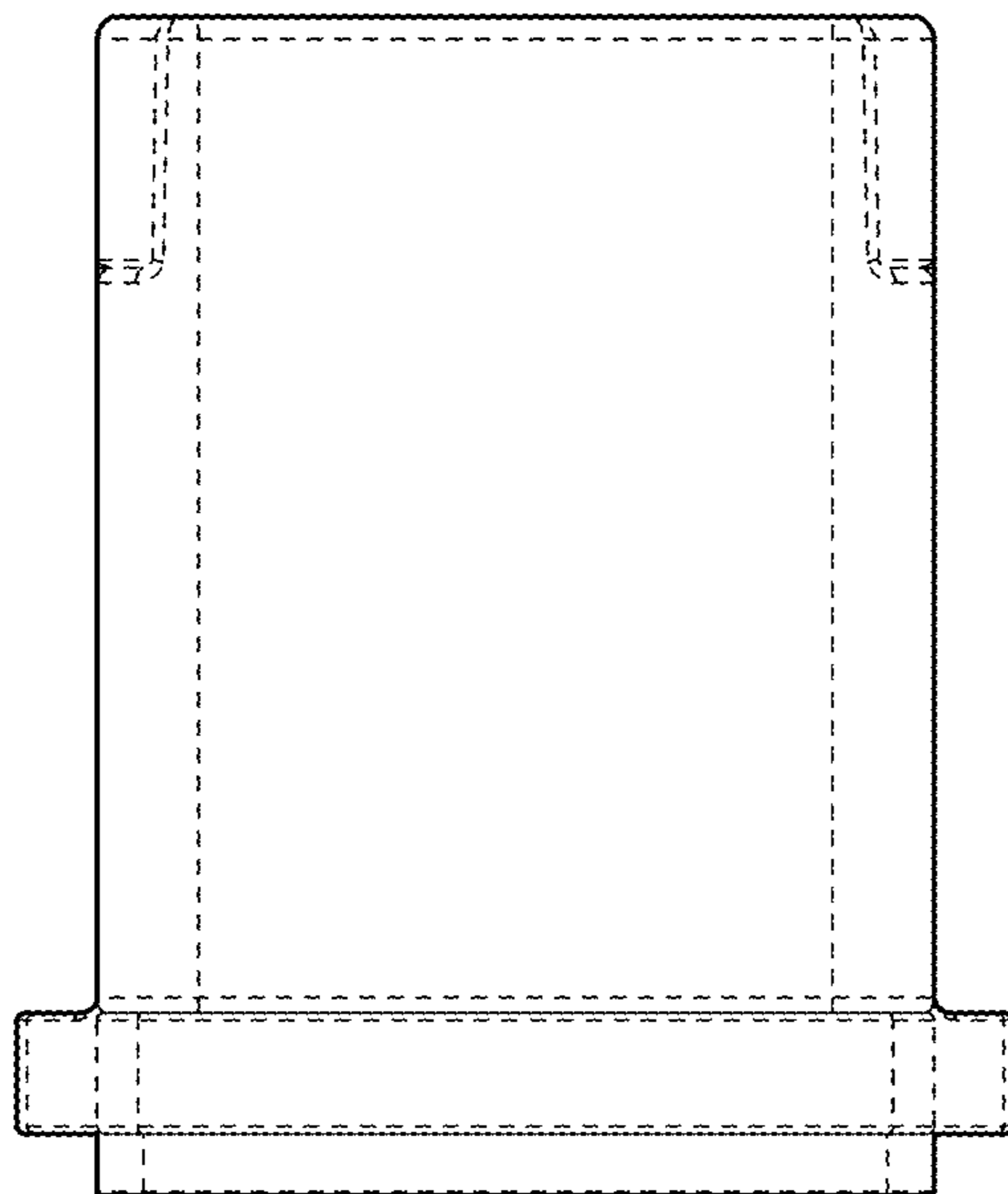


FIG. 4

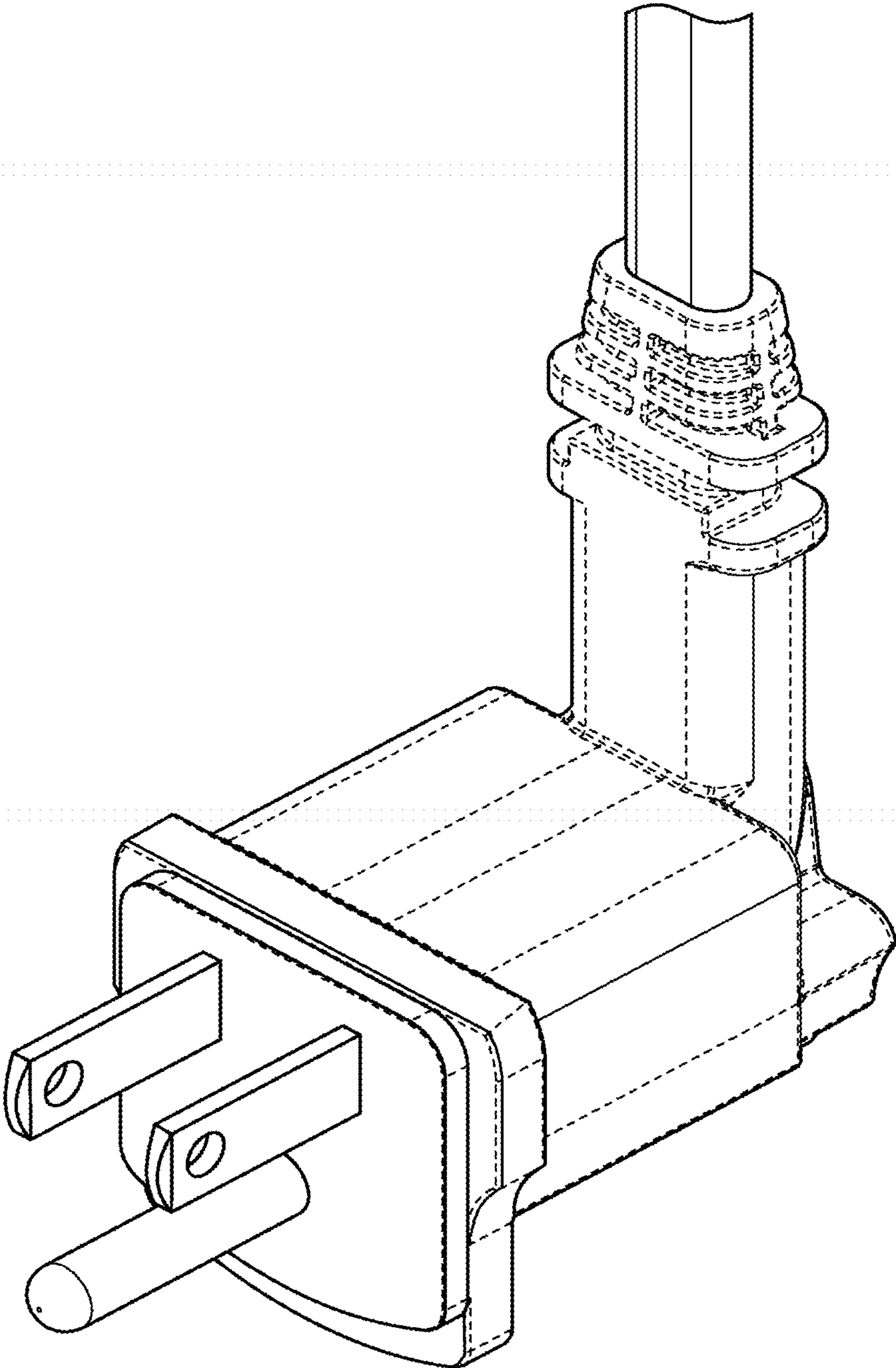


FIG. 5

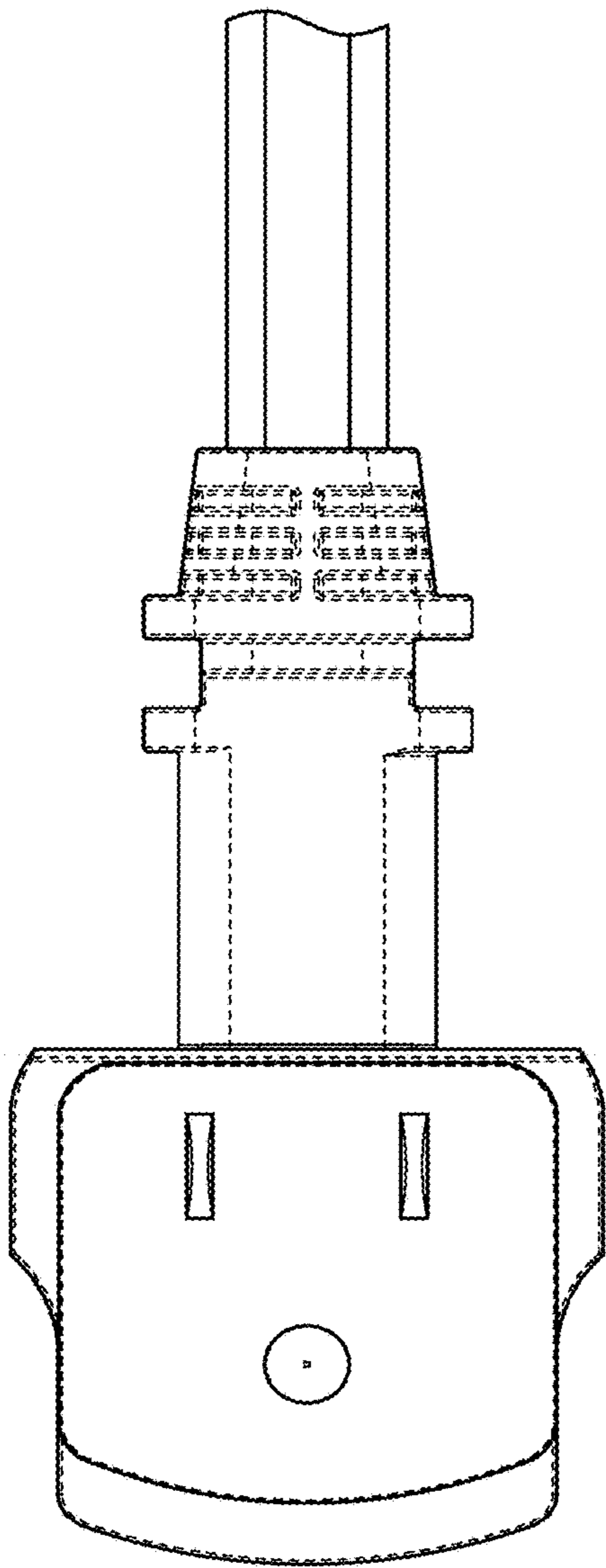


FIG. 6

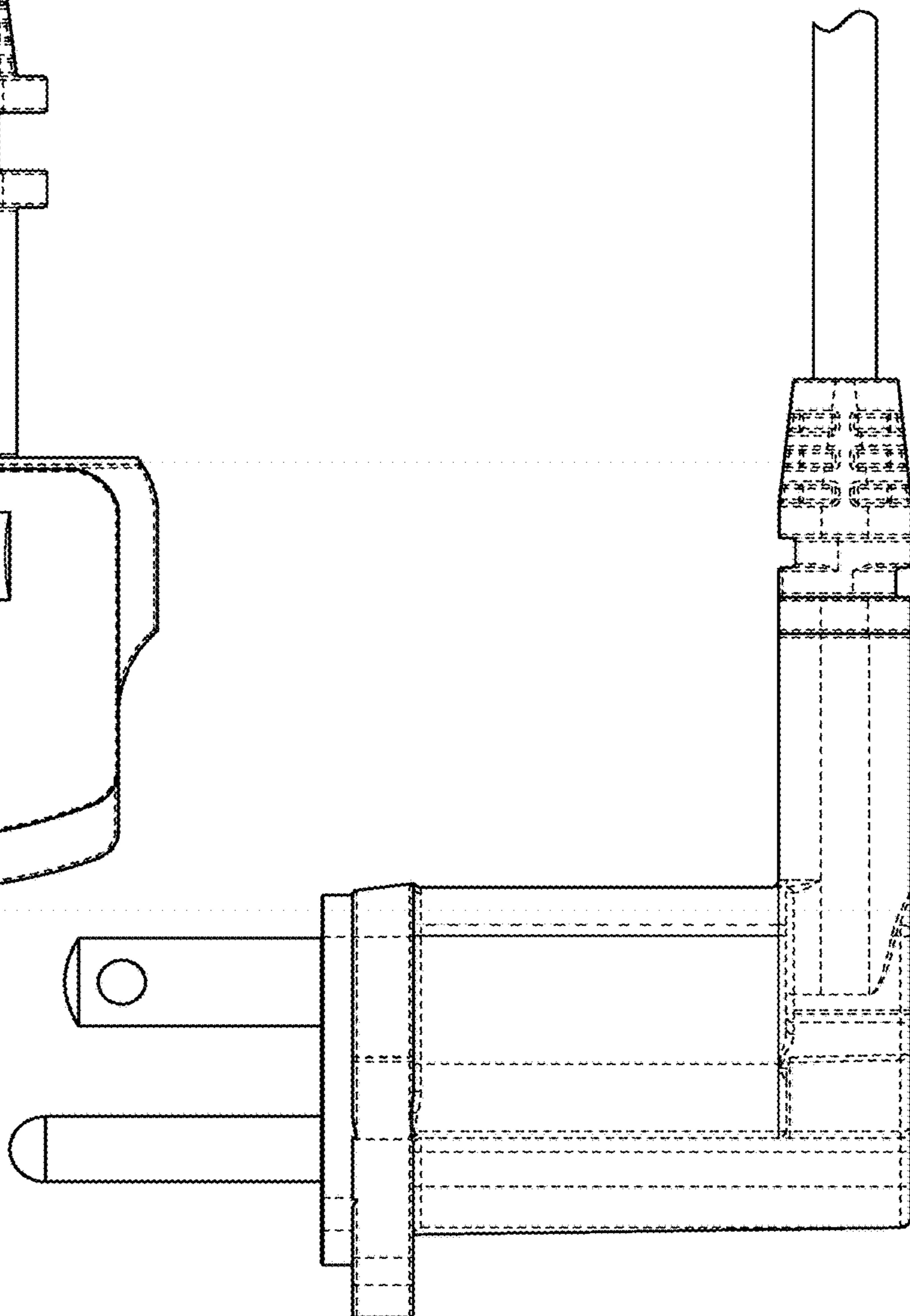


FIG. 7

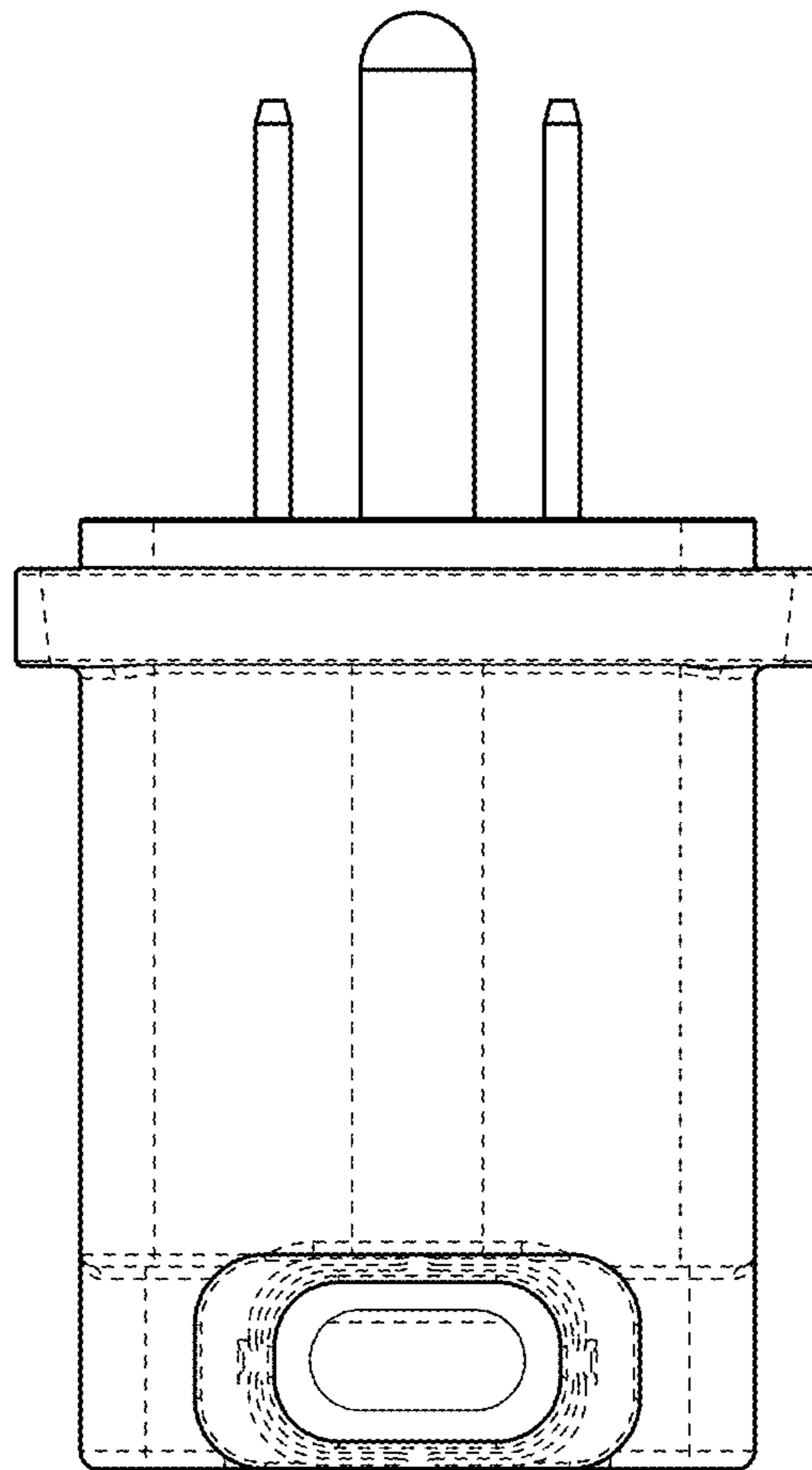


FIG. 8