



US00D792346S

(12) **United States Design Patent**
Mayor et al.

(10) **Patent No.:** **US D792,346 S**

(45) **Date of Patent:** **** Jul. 18, 2017**

(54) **ELECTRIC MOTOR CASING**

(71) Applicants: **J. Rhett Mayor**, Braselton, GA (US);
Sumari Mayor, Braselton, GA (US)

(72) Inventors: **J. Rhett Mayor**, Braselton, GA (US);
Sumari Mayor, Braselton, GA (US)

(**) Term: **15 Years**

(21) Appl. No.: **29/566,039**

(22) Filed: **May 26, 2016**

(51) **LOC (10) Cl.** **13-01**

(52) **U.S. Cl.**
USPC **D13/122**

(58) **Field of Classification Search**
USPC D13/122, 112, 113, 114, 199; D15/3, 5,
D15/199; 74/606 R, 609; 310/10, 40 R,
310/42, 51, 58, 71, 80, 83, 85, 89, 91,
310/109, 236, 239, 254; 318/245, 255
CPC .. H02K 5/04; H02K 5/10; H02K 5/22; H02K
5/148; H02K 29/14; H02P 6/06; F28F
1/20

See application file for complete search history.

(56) **References Cited**

U.S. PATENT DOCUMENTS

D525,196 S * 7/2006 Rose D13/122
D593,945 S * 6/2009 Lannoch D13/112

D596,120 S * 7/2009 Miyaji D13/122
D624,018 S * 9/2010 Ishizuka D13/118
D647,478 S * 10/2011 Jiang D13/122
D663,268 S * 7/2012 Andrieux D13/122
D710,306 S * 8/2014 Ohashi D13/122

* cited by examiner

Primary Examiner — Derrick Holland

(74) *Attorney, Agent, or Firm* — Kundu PLLC

(57) **CLAIM**

The ornamental design for an electric motor casing, as shown and described.

DESCRIPTION

FIG. 1 is a perspective view of an electric motor casing showing our new design;
FIG. 2 is a front view thereof;
FIG. 3 is a first side view thereof; and,
FIG. 4 is a second side view thereof.
The broken lines shown represent unclaimed subject matter and form no part of the claimed design.

1 Claim, 4 Drawing Sheets

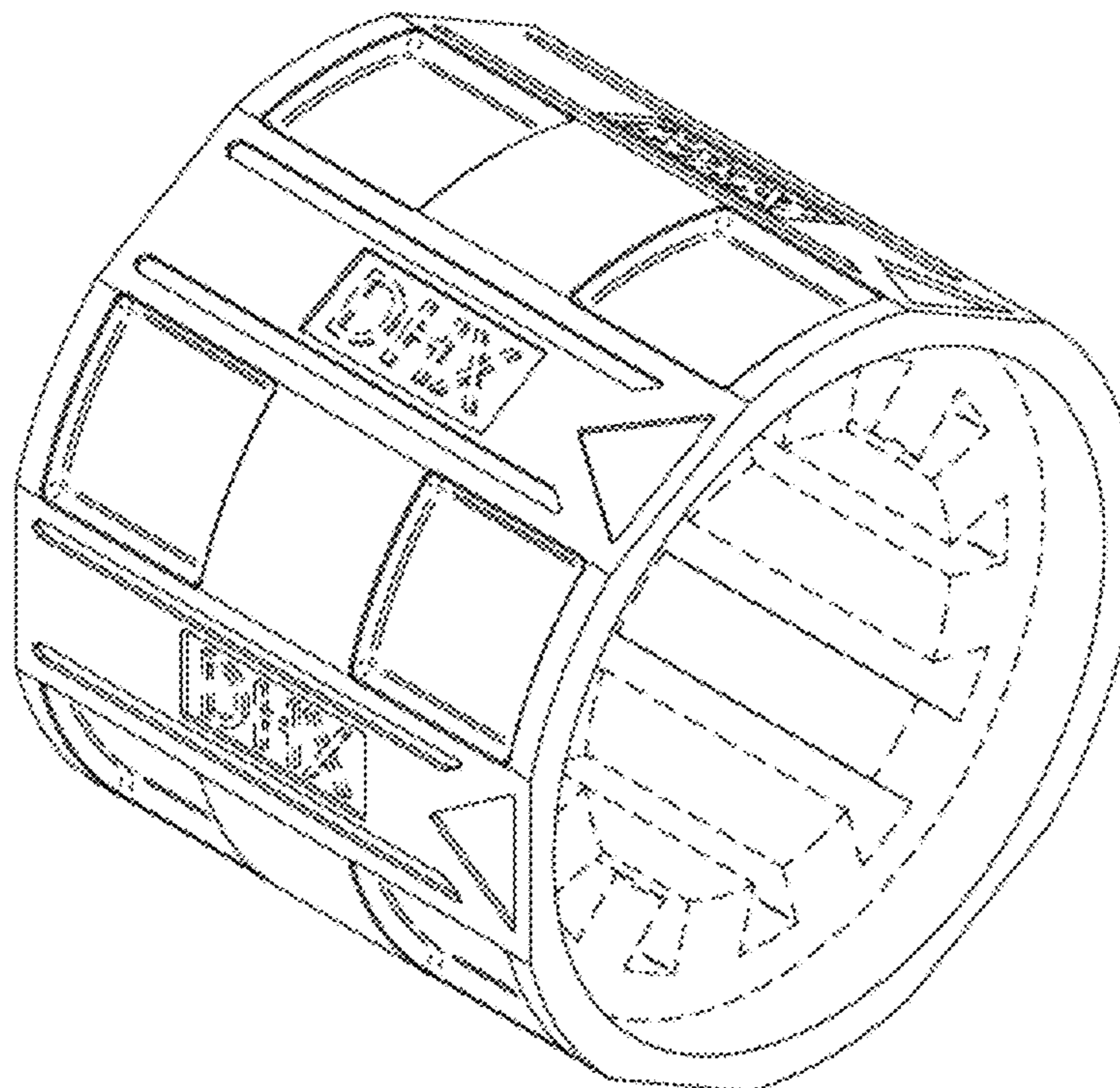


FIG. 1

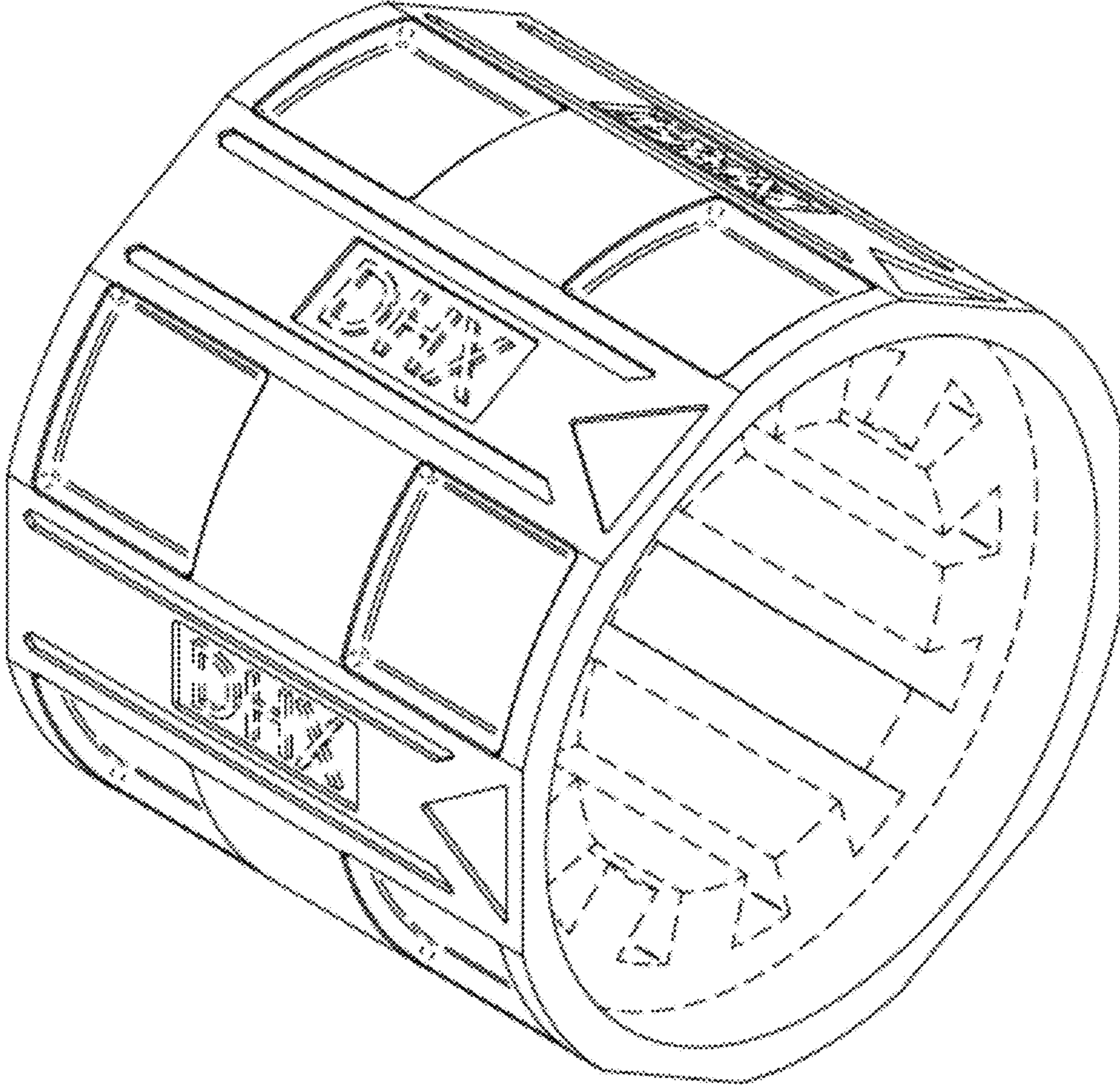


FIG. 2

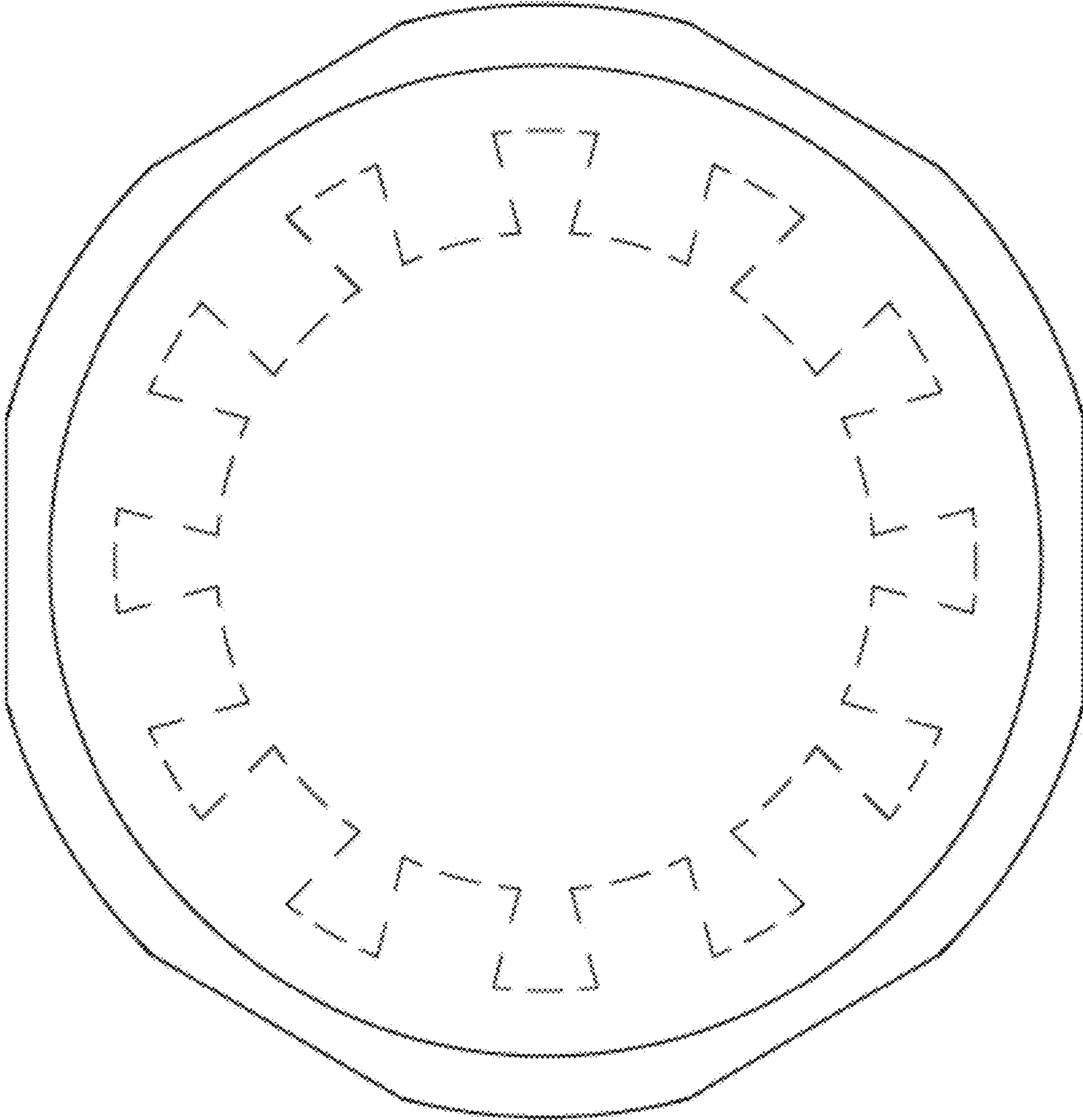


FIG. 3

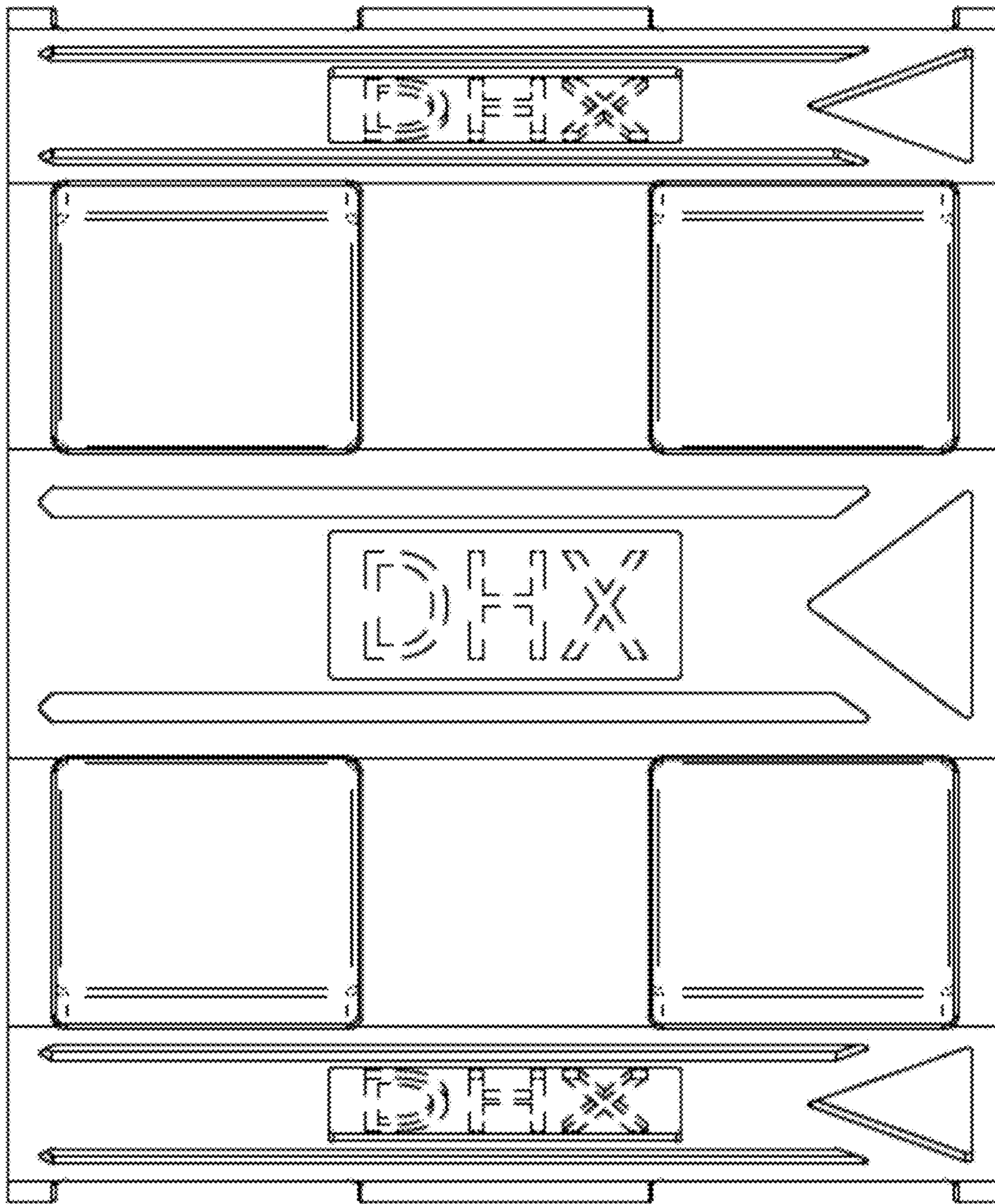


FIG. 4

