



US00D792345S

(12) **United States Design Patent**
Loewen

(10) **Patent No.:** **US D792,345 S**
(45) **Date of Patent:** **** Jul. 18, 2017**

(54) **MOBILE DEVICE CHARGER BAG CHARM**

(71) Applicant: **Bibicord, Inc.**, Lutz, FL (US)

(72) Inventor: **Joanne Loewen**, Lutz, FL (US)

(73) Assignee: **BIBICORD, INC.**, Lutz, FL (US)

(**) Term: **15 Years**

(21) Appl. No.: **29/534,520**

(22) Filed: **Jul. 29, 2015**

(51) **LOC (10) Cl.** **13-02**

(52) **U.S. Cl.**
USPC **D13/108**

(58) **Field of Classification Search**
USPC D13/107-110, 118-119, 184; D14/251,
D14/253, 432, 434; D3/207-212
CPC Y02E 60/12; Y02T 90/14; Y02T 90/122;
Y02T 90/128; Y02T 90/163; H02J 7/025;
H02J 7/0042; H02J 7/0044; H02J 7/0045;
H02J 7/0003; H01F 38/14; H01R
13/6675; H01M 2/1022; H01M 2/1055;
H01M 10/44; H01M 10/46; H01M
10/425; B60L 11/182
See application file for complete search history.

(56) **References Cited**

U.S. PATENT DOCUMENTS

- 2,977,034 A * 3/1961 Bartlett B65D 85/672
225/47
- D246,154 S * 10/1977 Tsang D3/210
- D279,459 S * 7/1985 On D10/15
- D348,773 S * 7/1994 Kutzera D3/207

- D521,231 S * 5/2006 Ng D3/208
- D522,234 S * 6/2006 Murphy D3/209
- D548,956 S * 8/2007 Rimon D3/207
- D578,431 S * 10/2008 Weyer D11/221
- D604,039 S * 11/2009 Fleming D3/207
- D609,457 S * 2/2010 Blanford D3/208
- D618,906 S * 7/2010 Covington D19/67
- D619,499 S * 7/2010 Weyer D11/221
- D710,594 S * 8/2014 Vasquez D3/207
- D714,215 S * 9/2014 To D13/108

* cited by examiner

Primary Examiner — Rosemary K Tarca

Assistant Examiner — Nathaniel D Buckner

(74) *Attorney, Agent, or Firm* — Gary L. Eastman, Esq.;
Eastman & McCartney LLP

(57) **CLAIM**

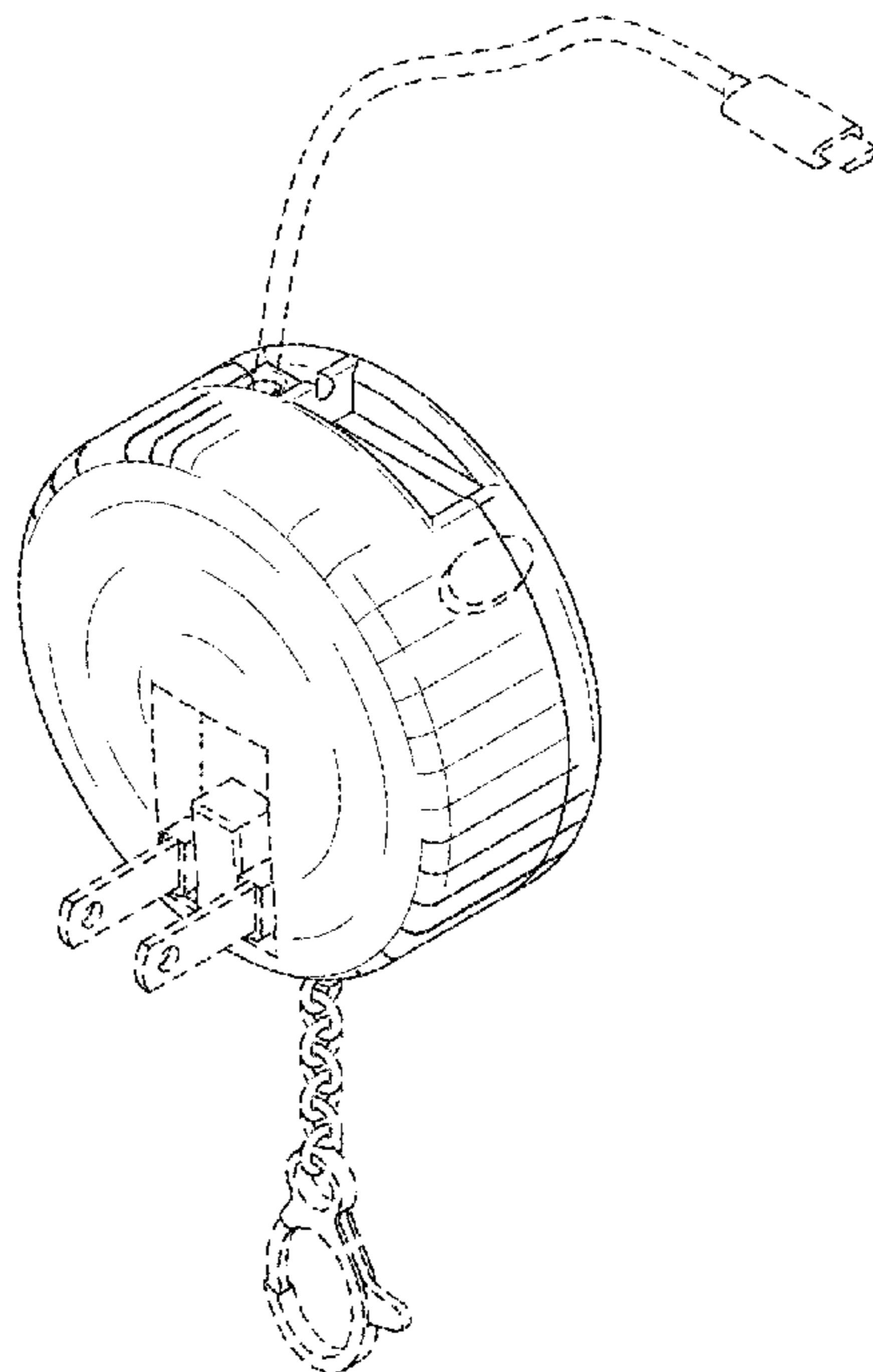
The ornamental design for a mobile device charger bag charm, as shown and described.

DESCRIPTION

FIG. 1 is a bottom front perspective view of a mobile device charger bag charm;
FIG. 2 is a front elevation view thereof;
FIG. 3 is a rear elevation view thereof;
FIG. 4 is a bottom elevation view thereof;
FIG. 5 is a top elevation view thereof;
FIG. 6 is a left elevation view thereof;
FIG. 7 is a right elevation view thereof; and,
FIG. 8 is a bottom rear perspective view thereof shown in an environment of use.

The broken lines shown in the drawings illustrate portions of the mobile device charger bag charm that form no part of the claimed design.

1 Claim, 4 Drawing Sheets



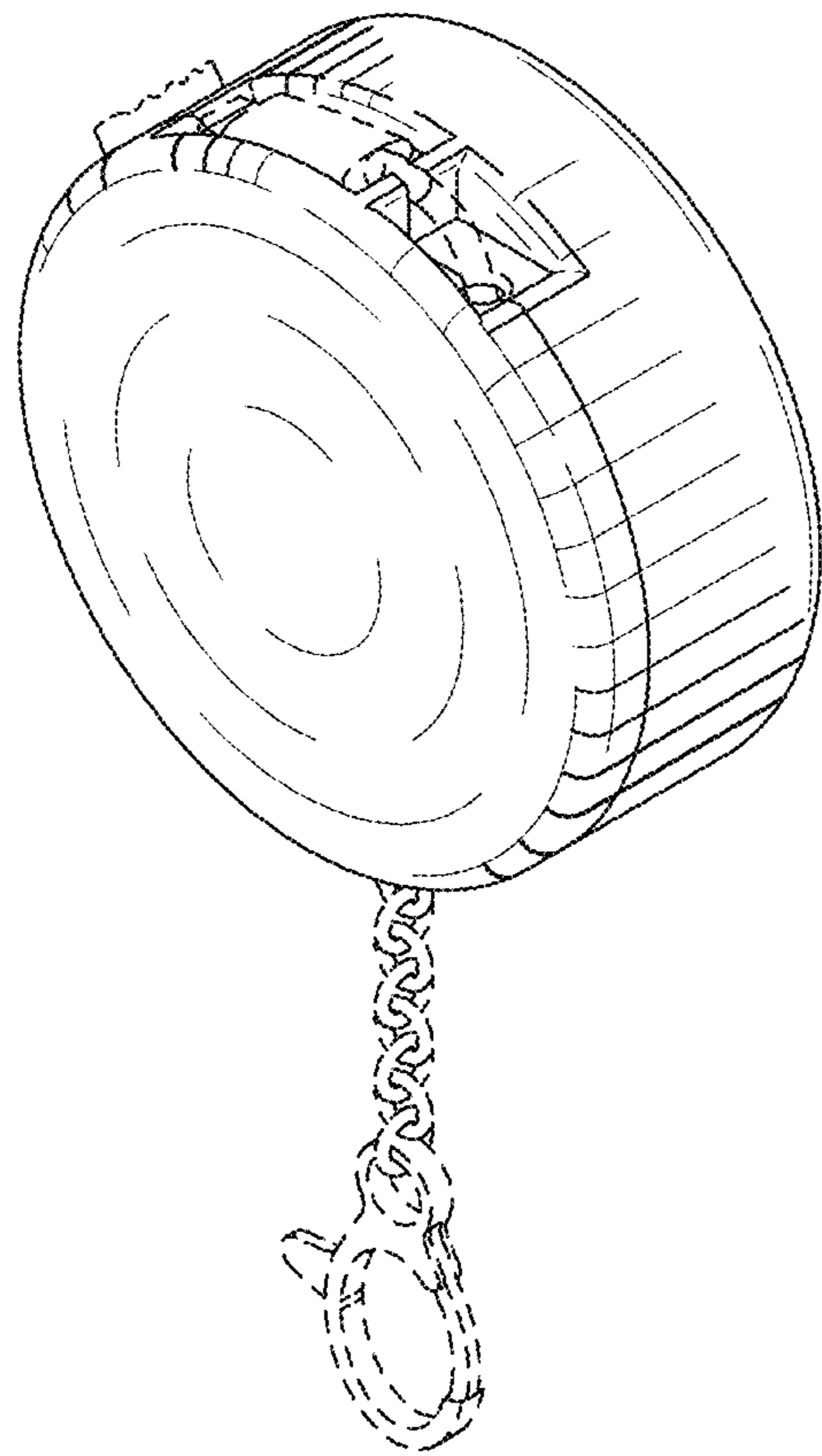


FIG. 1

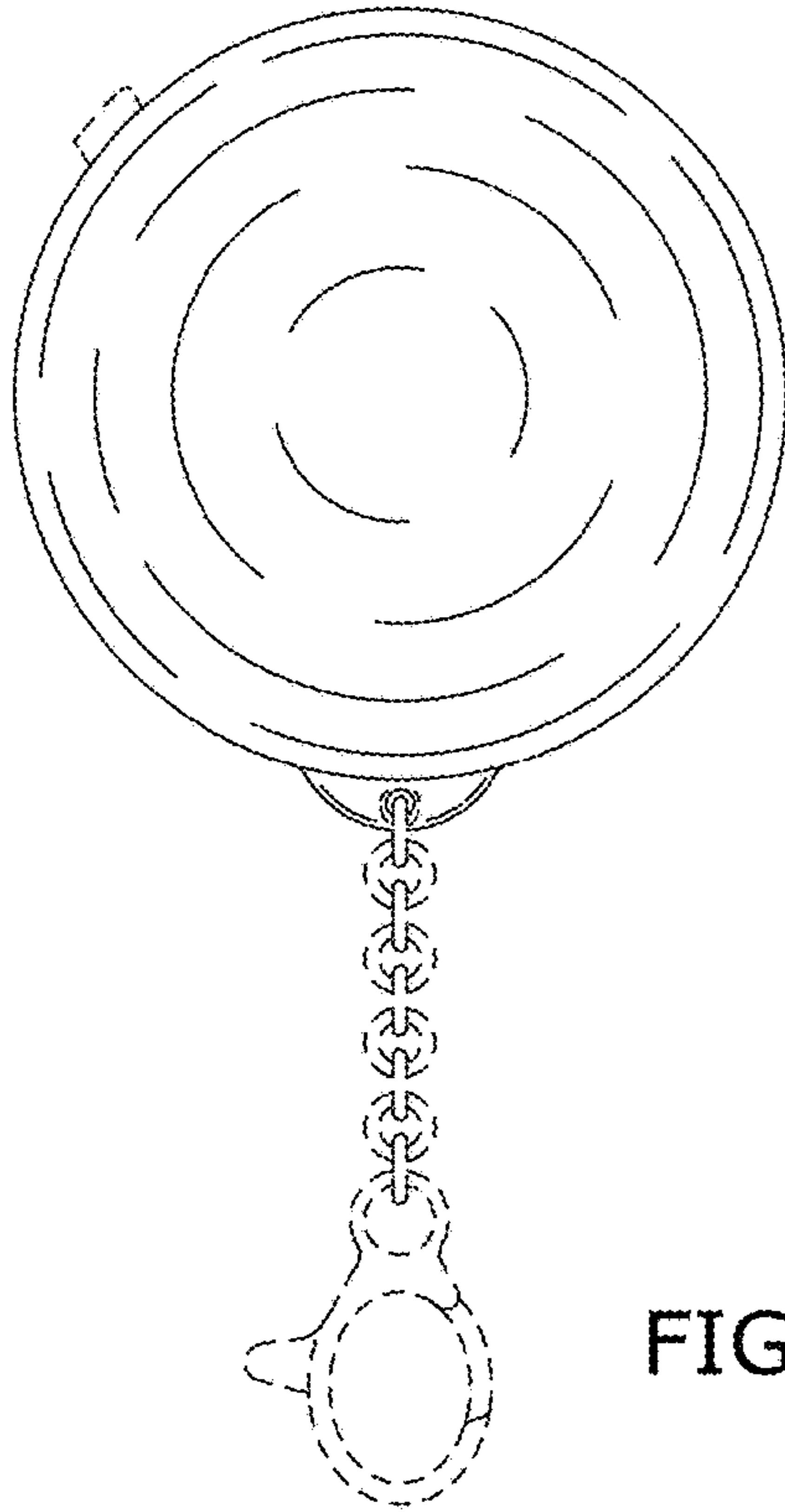


FIG. 2

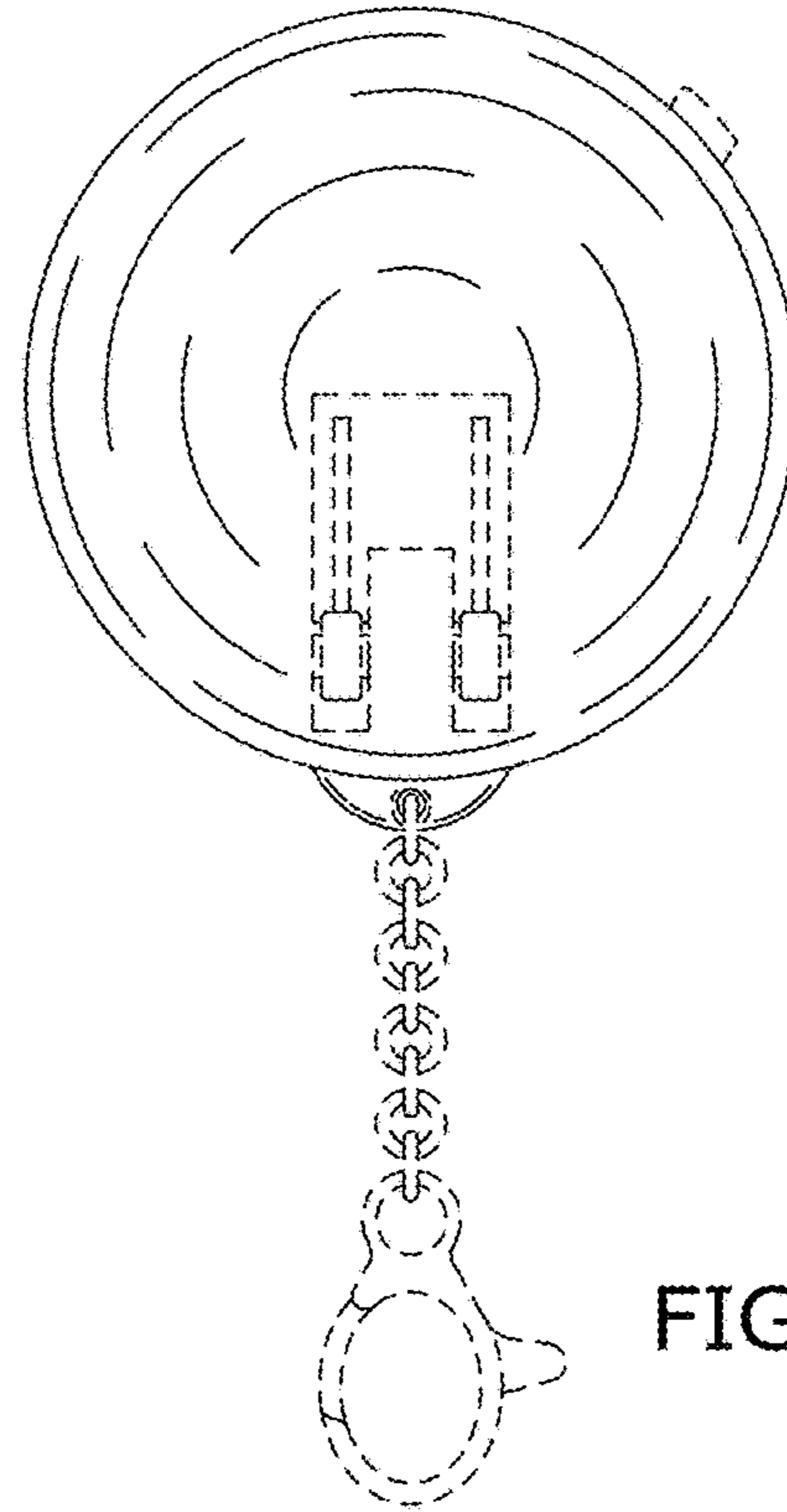


FIG. 3

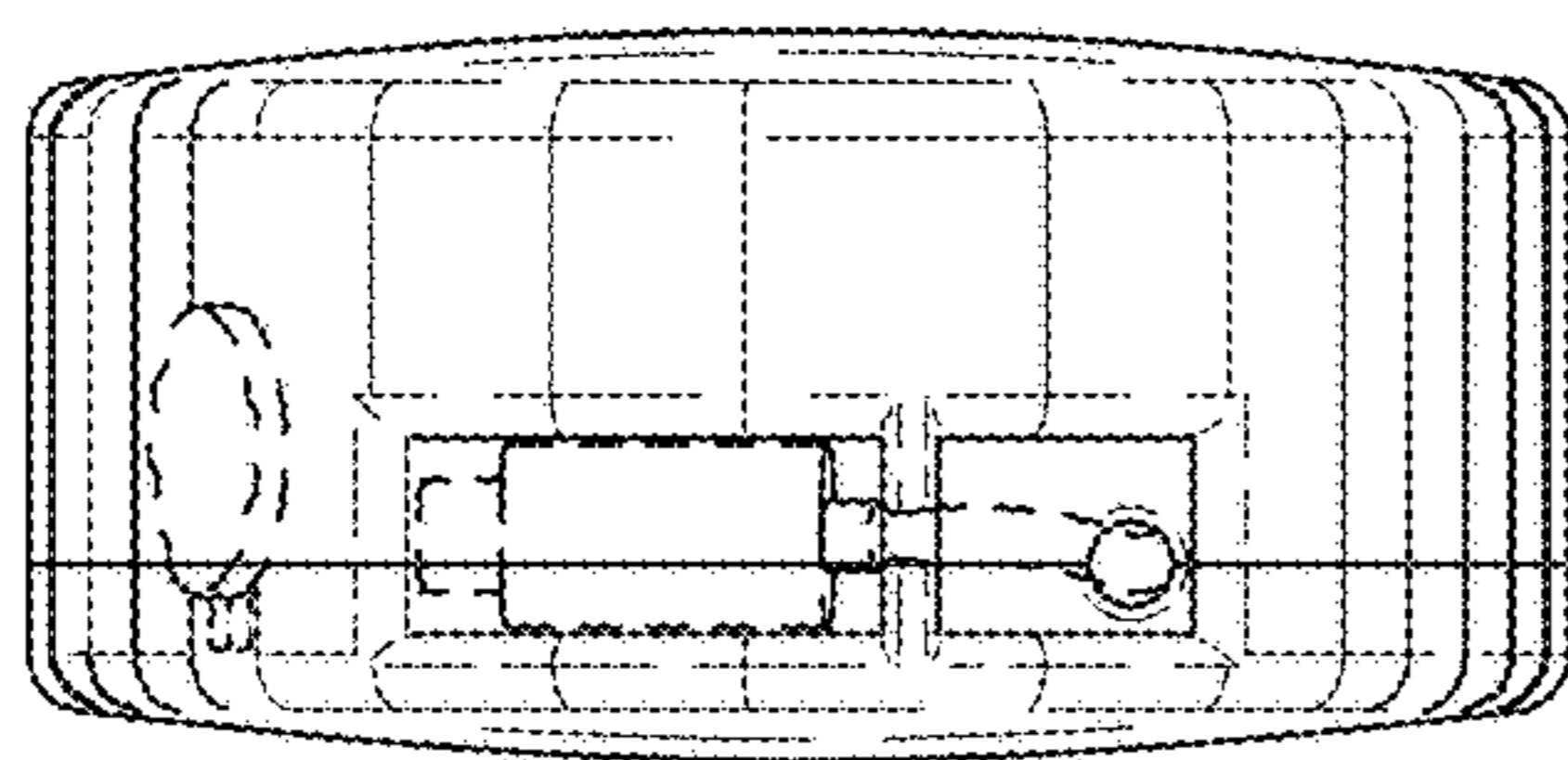


FIG. 4

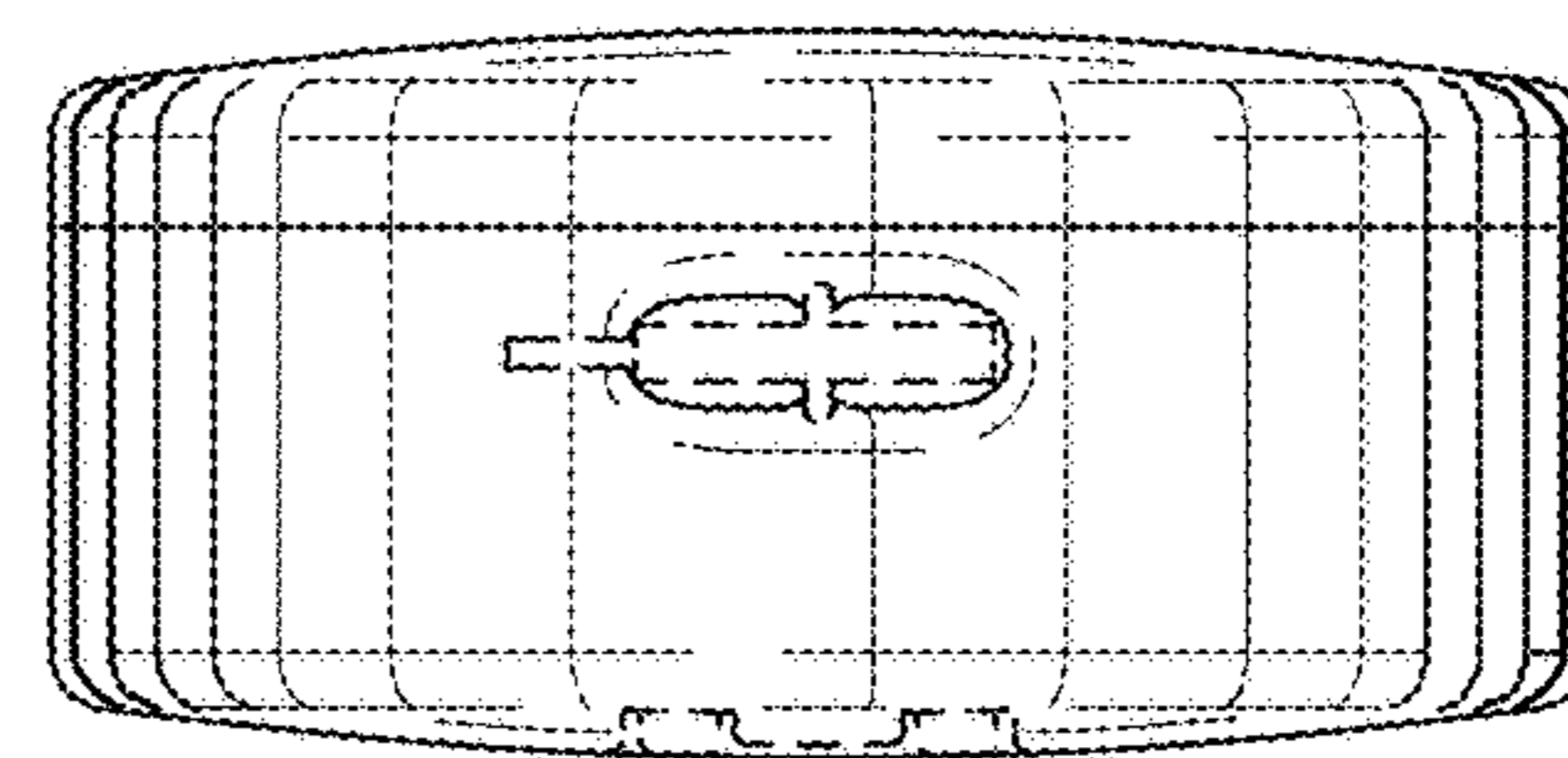


FIG. 5

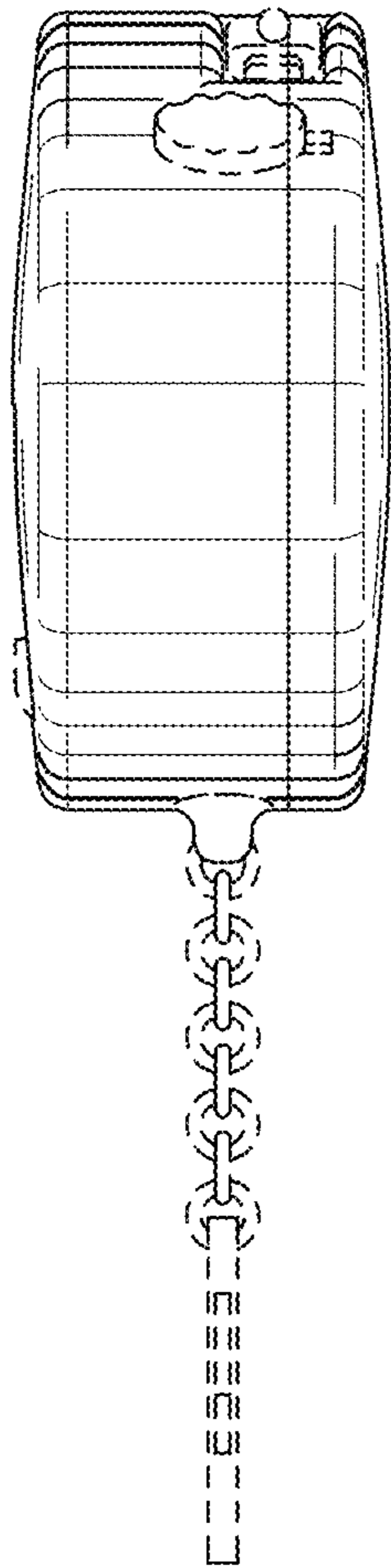


FIG. 6

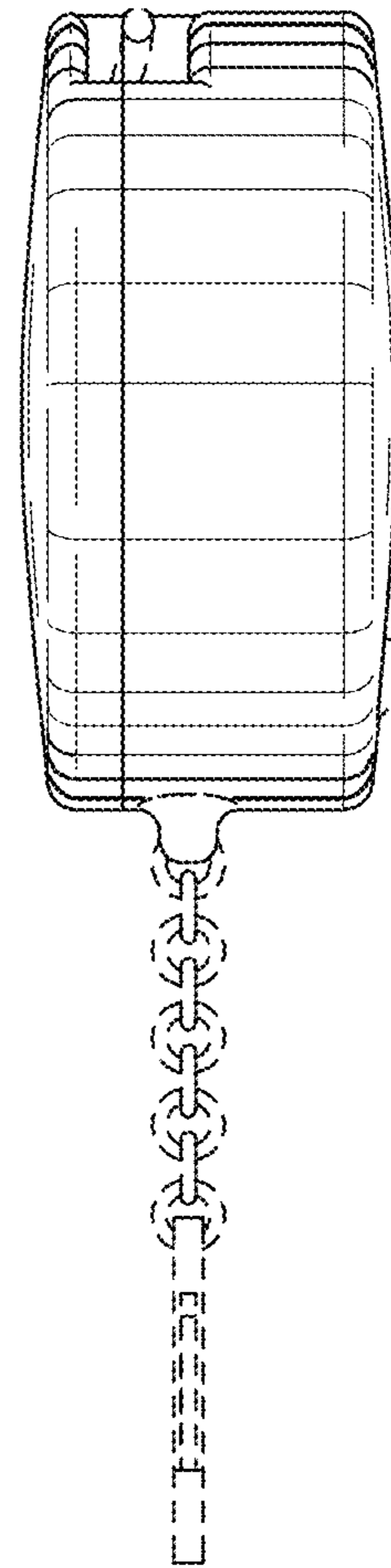


FIG. 7

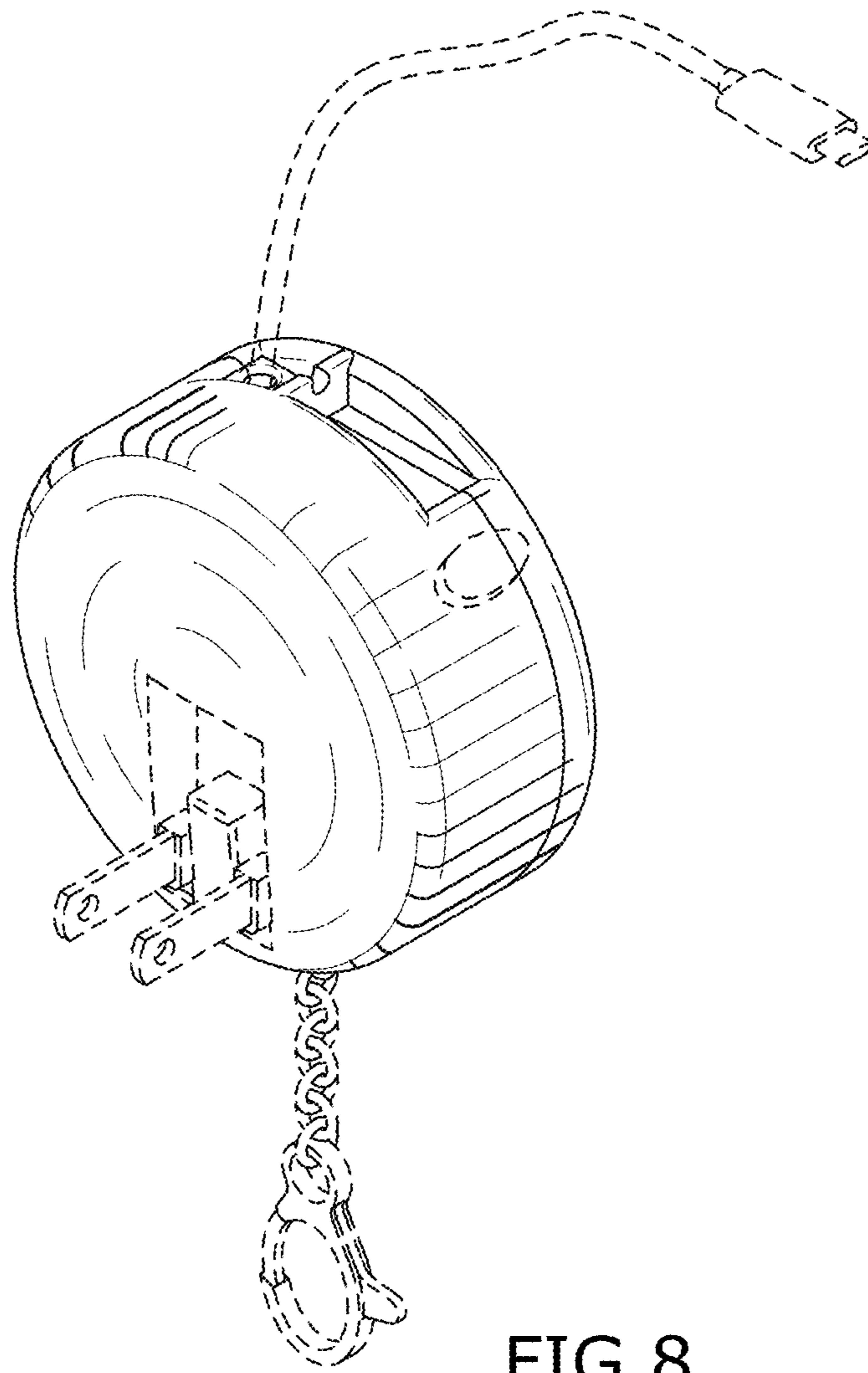


FIG.8