



US00D792344S

(12) **United States Design Patent** (10) **Patent No.:** **US D792,344 S**  
**Broadhurst, IV et al.** (45) **Date of Patent:** **\*\* Jul. 18, 2017**

(54) **PORTABLE CHARGER**  
(71) Applicant: **Battery-Biz, Inc.**, Camarillo, CA (US)  
(72) Inventors: **Douglas S. Broadhurst, IV**, Thousand Oaks, CA (US); **Ernesto J. Rodriguez**, Simi Valley, CA (US)  
(73) Assignee: **Battery-Biz, Inc.**, Camarillo, CA (US)  
(\*\*) Term: **15 Years**  
(21) Appl. No.: **29/544,721**  
(22) Filed: **Nov. 5, 2015**  
(51) **LOC (10) Cl.** ..... **13-02**  
(52) **U.S. Cl.**  
USPC ..... **D13/107**  
(58) **Field of Classification Search**  
USPC ..... D13/102-110, 118-119, 194, 199;  
D14/356, 432; D21/654  
CPC ..... Y02E 60/12; Y02T 90/14; Y02T 90/122;  
Y02T 90/128; Y02T 90/163; H02J 7/025;  
H02J 7/0042; H02J 7/0044; H02J 7/0045;  
H02J 7/0003; H01F 38/14; H01R  
13/6675; H01M 2/1022; H01M 2/1055;  
H01M 10/44; H01M 10/46; H01M  
10/425; B60L 11/182  
See application file for complete search history.

D710,208 S \* 8/2014 Wurth ..... D21/654  
D732,546 S \* 6/2015 Leitman ..... D14/447  
D778,236 S \* 2/2017 Broadhurst, IV ..... D13/107

**OTHER PUBLICATIONS**

BUQU Pig Power Bank, mybuqu.com, review posted Dec. 21, 2016, retrieved on Feb. 18, 2016, retrieved from the Internet: URL<  
[https://www.mybuqu.com/collections/our-products/products/pig\\_power\\_bank](https://www.mybuqu.com/collections/our-products/products/pig_power_bank).\*

\* cited by examiner

*Primary Examiner* — Rosemary K Tarcza  
*Assistant Examiner* — Alison Ofstun  
(74) *Attorney, Agent, or Firm* — Oppedahl Patent Law Firm LLC

(57) **CLAIM**

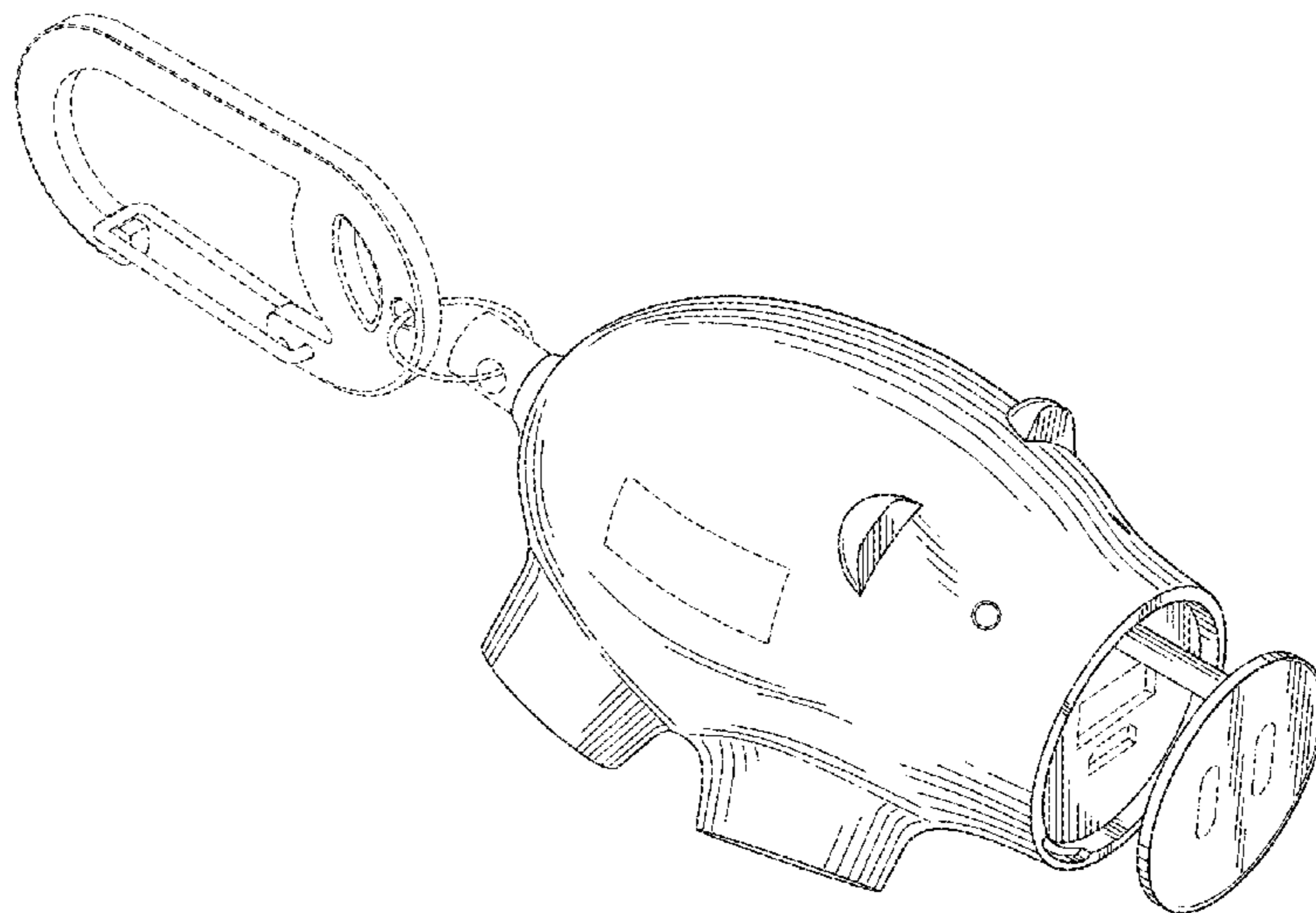
The ornamental design for a portable charger, as shown and described.

**DESCRIPTION**

FIG. 1 is a left side top perspective view of our new design for a portable charger;  
FIG. 2 is the left side top perspective view shown in FIG. 1 with a cover in a partially open mode;  
FIG. 3 is a left side view of FIG. 1;  
FIG. 4 is a right side view of FIG. 1;  
FIG. 5 is a front view of FIG. 1;  
FIG. 6 is a back view of FIG. 1;  
FIG. 7 is a top view of FIG. 1;  
FIG. 8 is a bottom view of FIG. 1; and,  
FIG. 9 is a front view of FIG. 1 with the cover removed to show universal serial bus (USB) ports.  
The broken lines illustrate environmental structure and form no part of the claimed design.

**1 Claim, 3 Drawing Sheets**

(56) **References Cited**  
U.S. PATENT DOCUMENTS  
D135,267 S \* 3/1943 Lamb ..... D21/654  
D169,309 S \* 4/1953 Fuller ..... 232/4 R  
D194,912 S \* 4/1963 Markham ..... D21/654  
D221,006 S \* 6/1971 Tavela ..... D21/654  
D514,770 S \* 2/2006 Henderson ..... D99/40  
D629,175 S \* 12/2010 McMaster ..... D21/654  
D631,785 S \* 2/2011 Palmer ..... D11/158  
D643,995 S \* 8/2011 McMaster ..... D21/654  
D651,537 S \* 1/2012 Anguelidis ..... D11/158  
D655,794 S \* 3/2012 Hall ..... D11/158



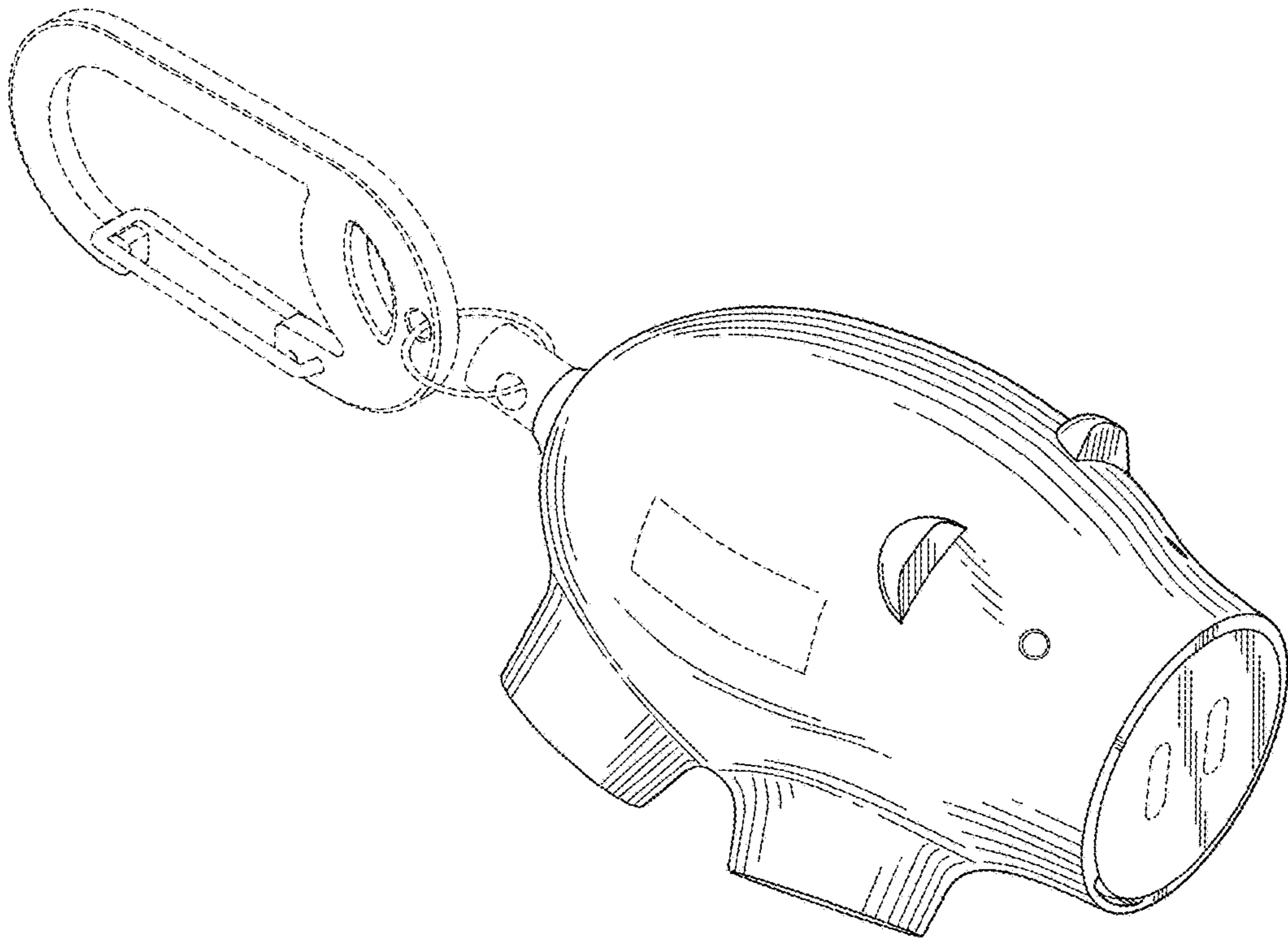


FIG.1

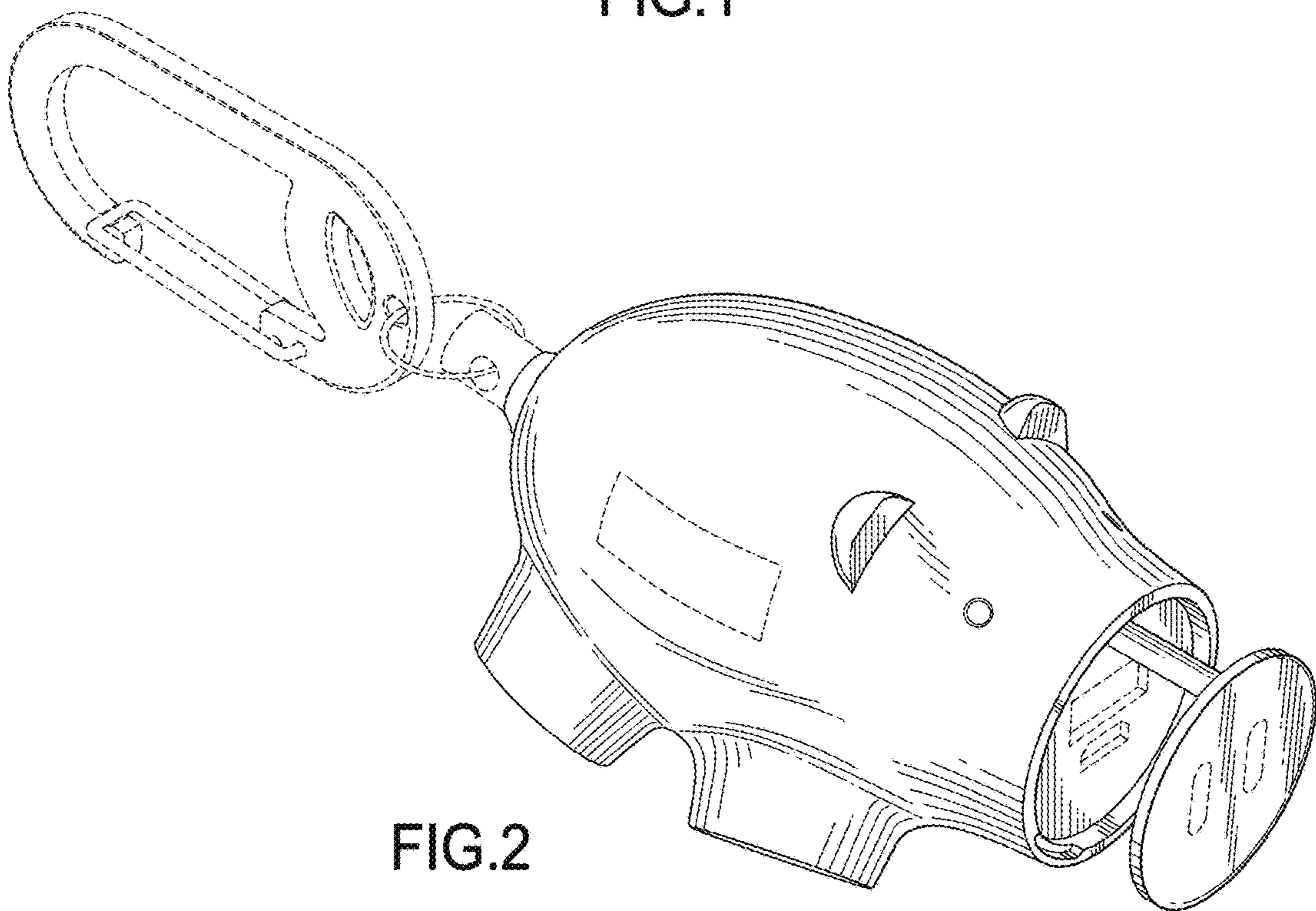


FIG.2



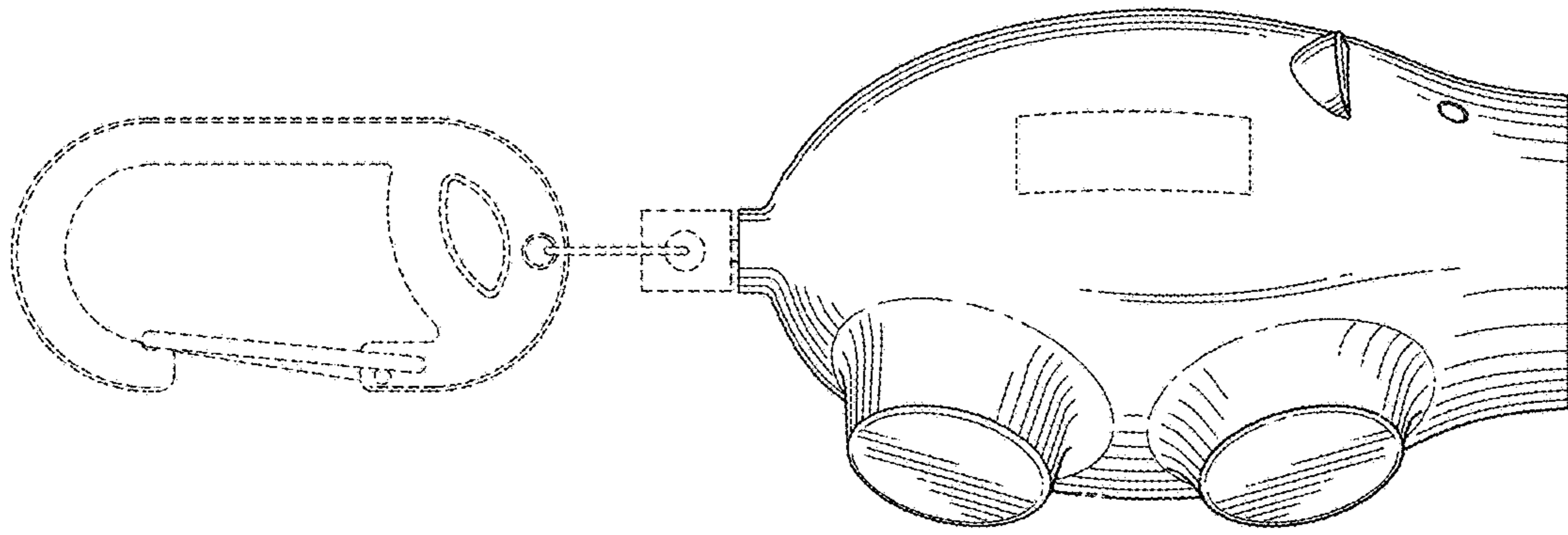


FIG.3

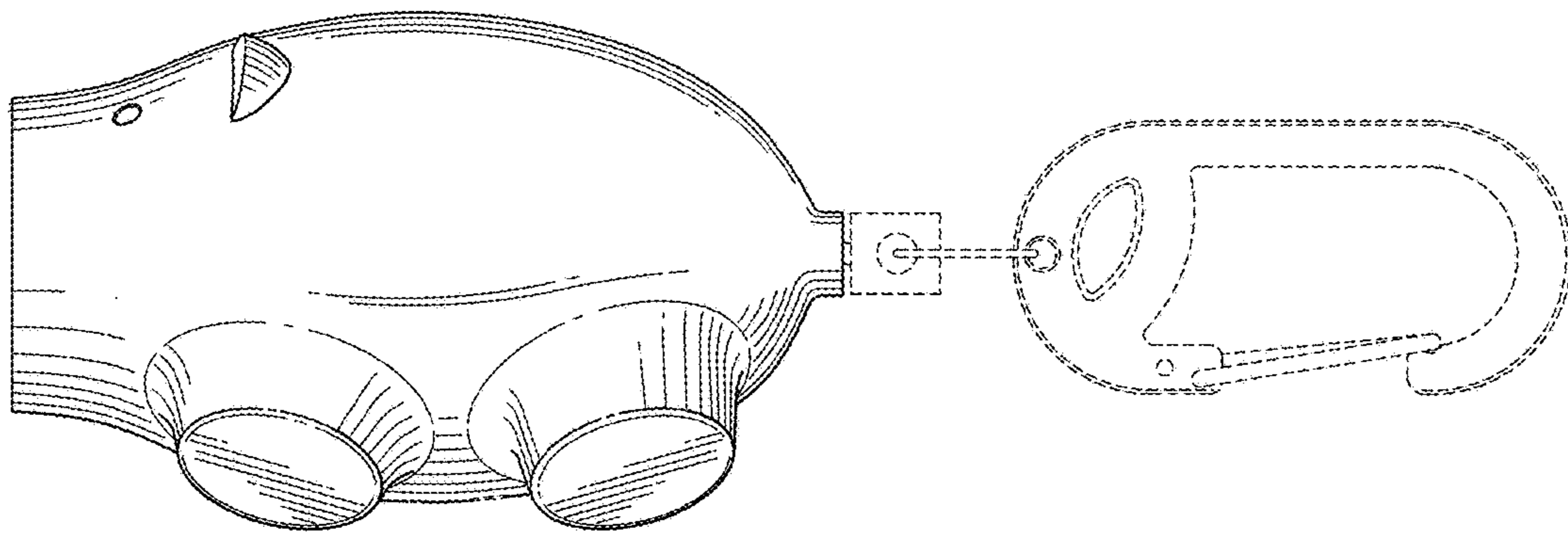


FIG.4

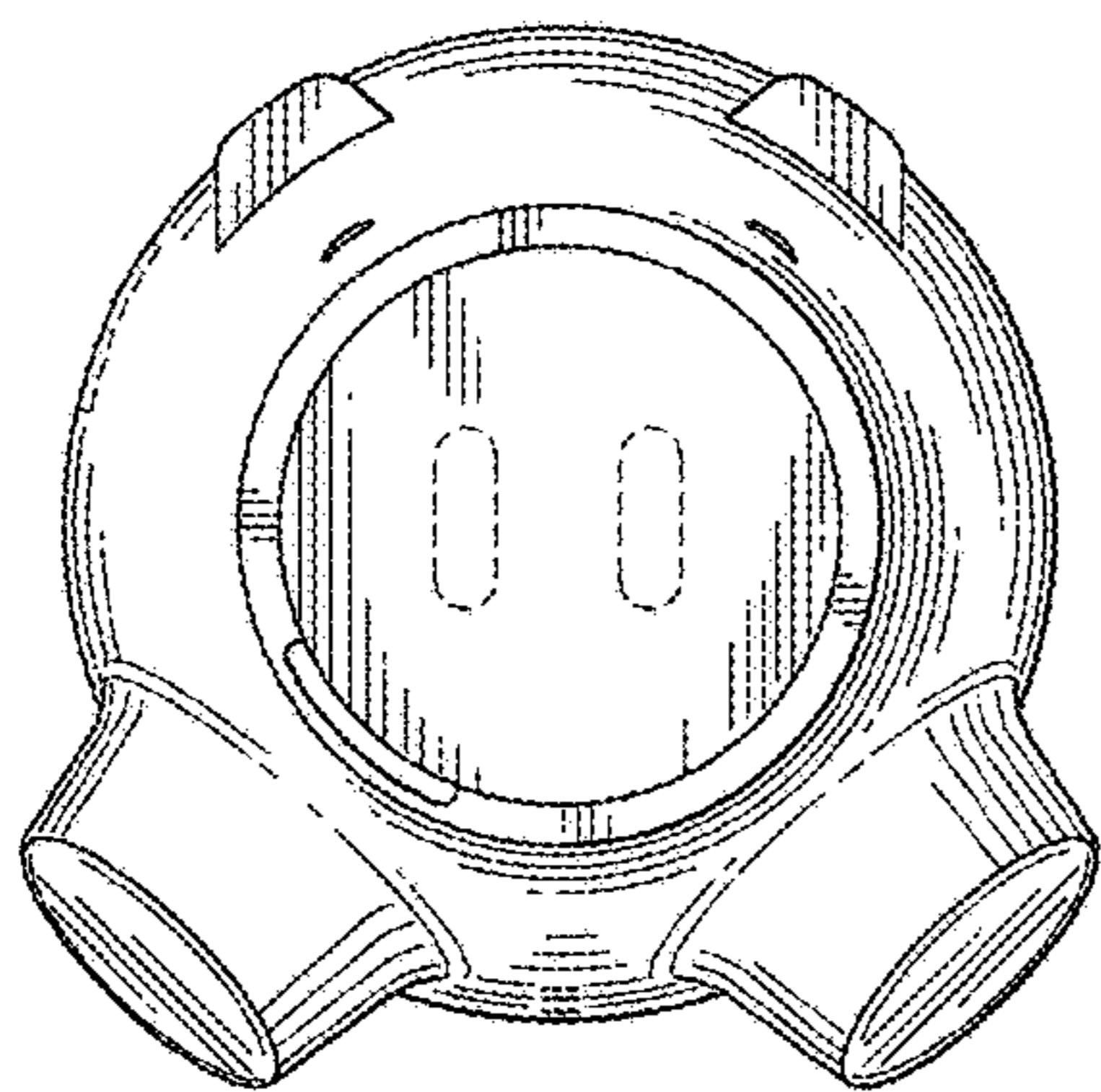


FIG.5

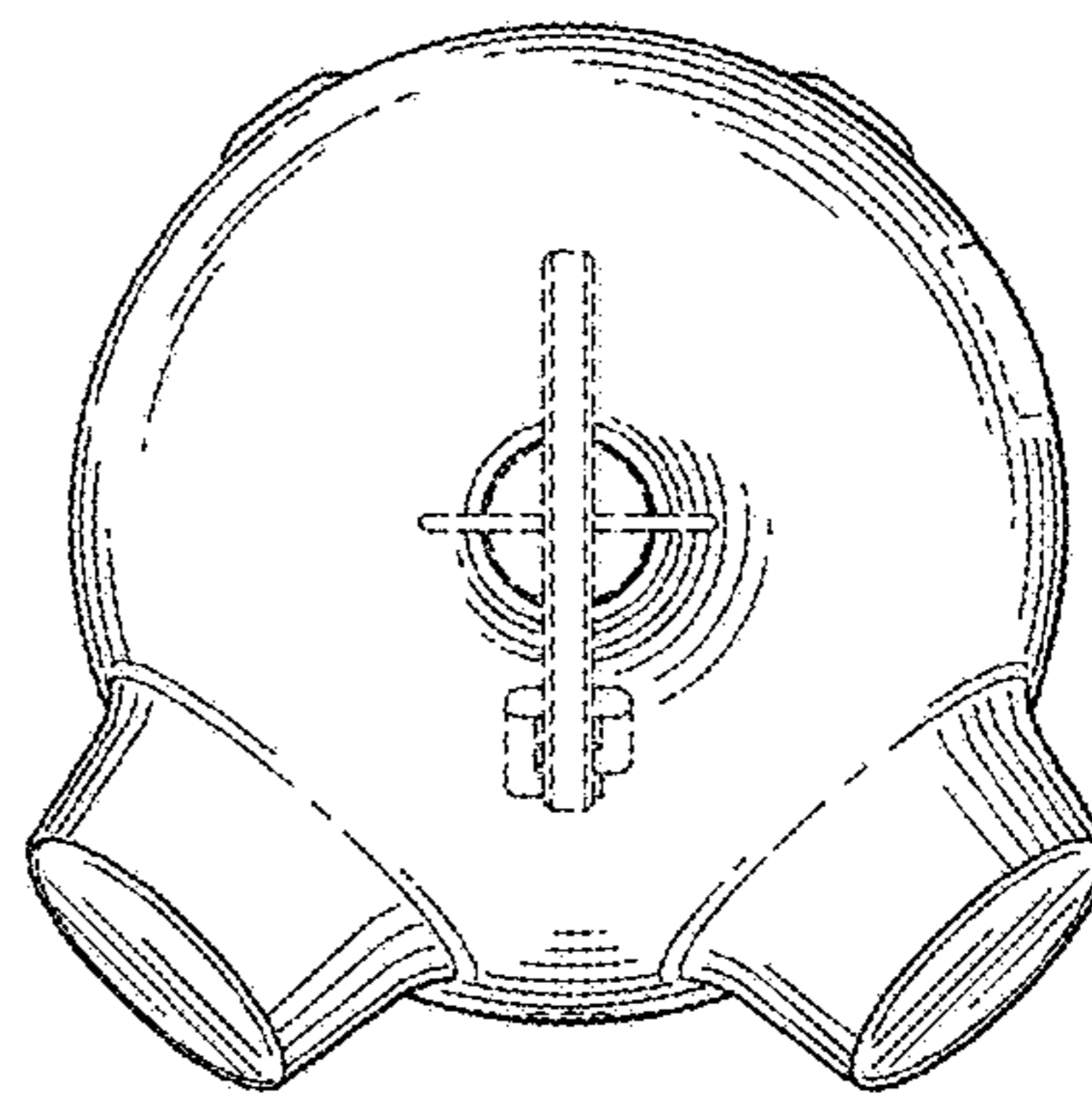


FIG.6

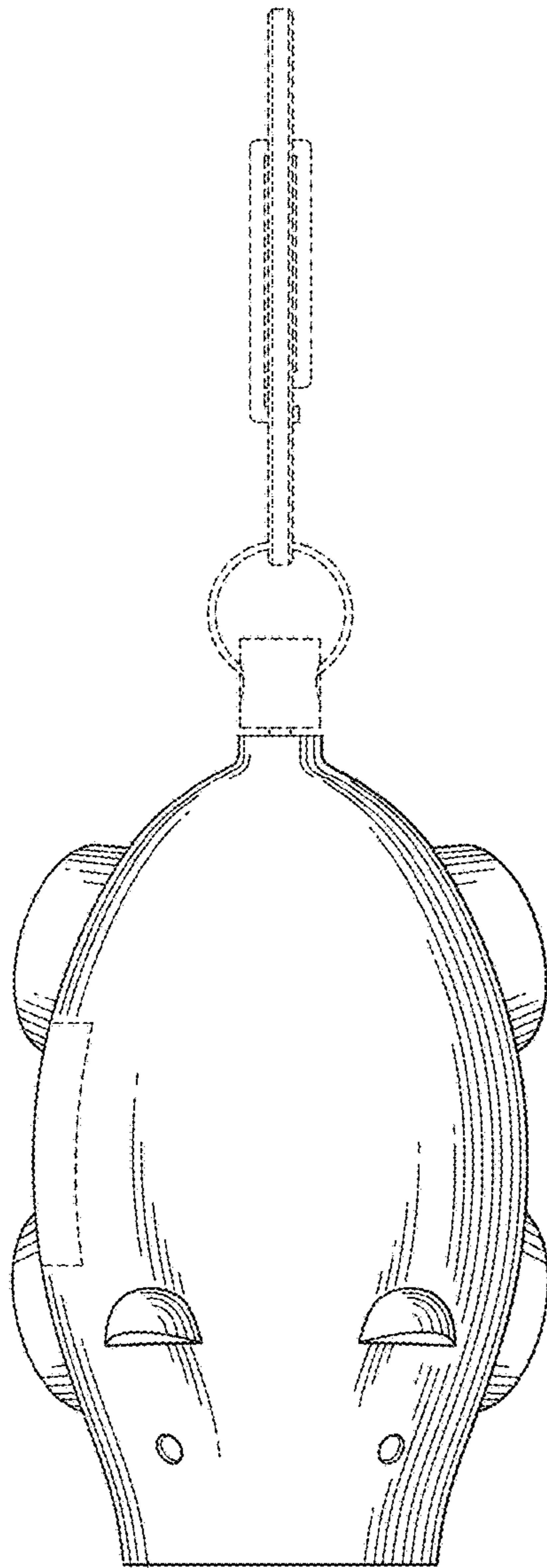


FIG.7

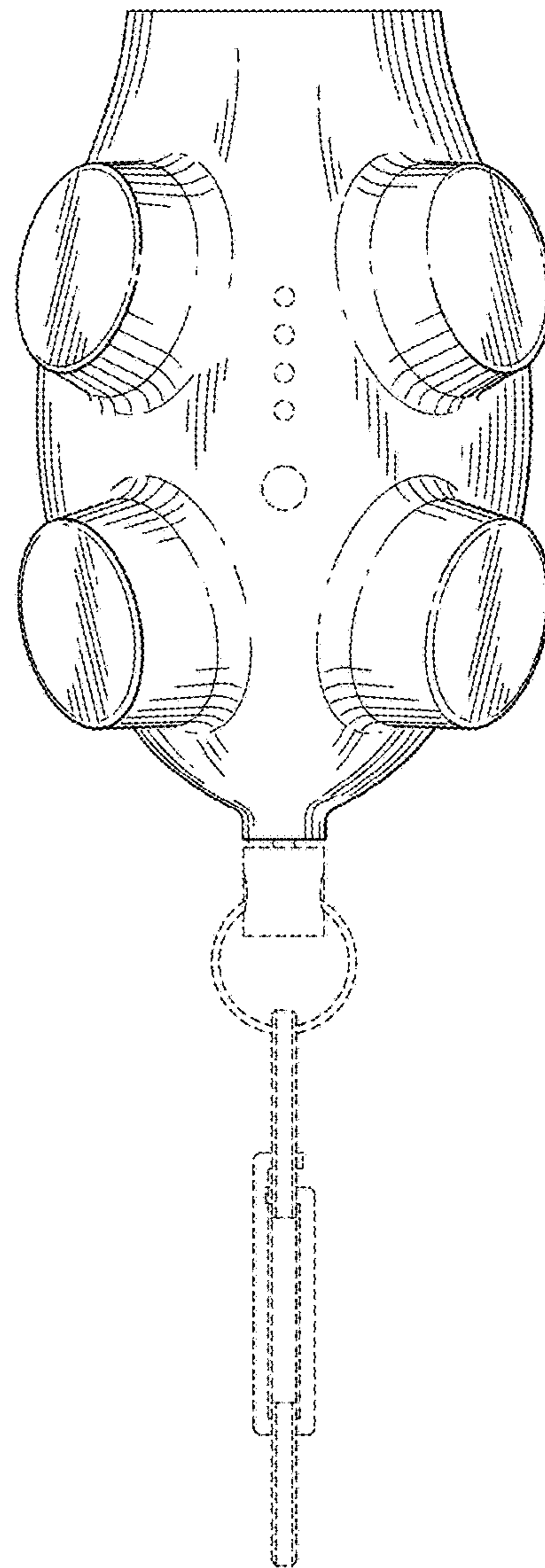


FIG.8

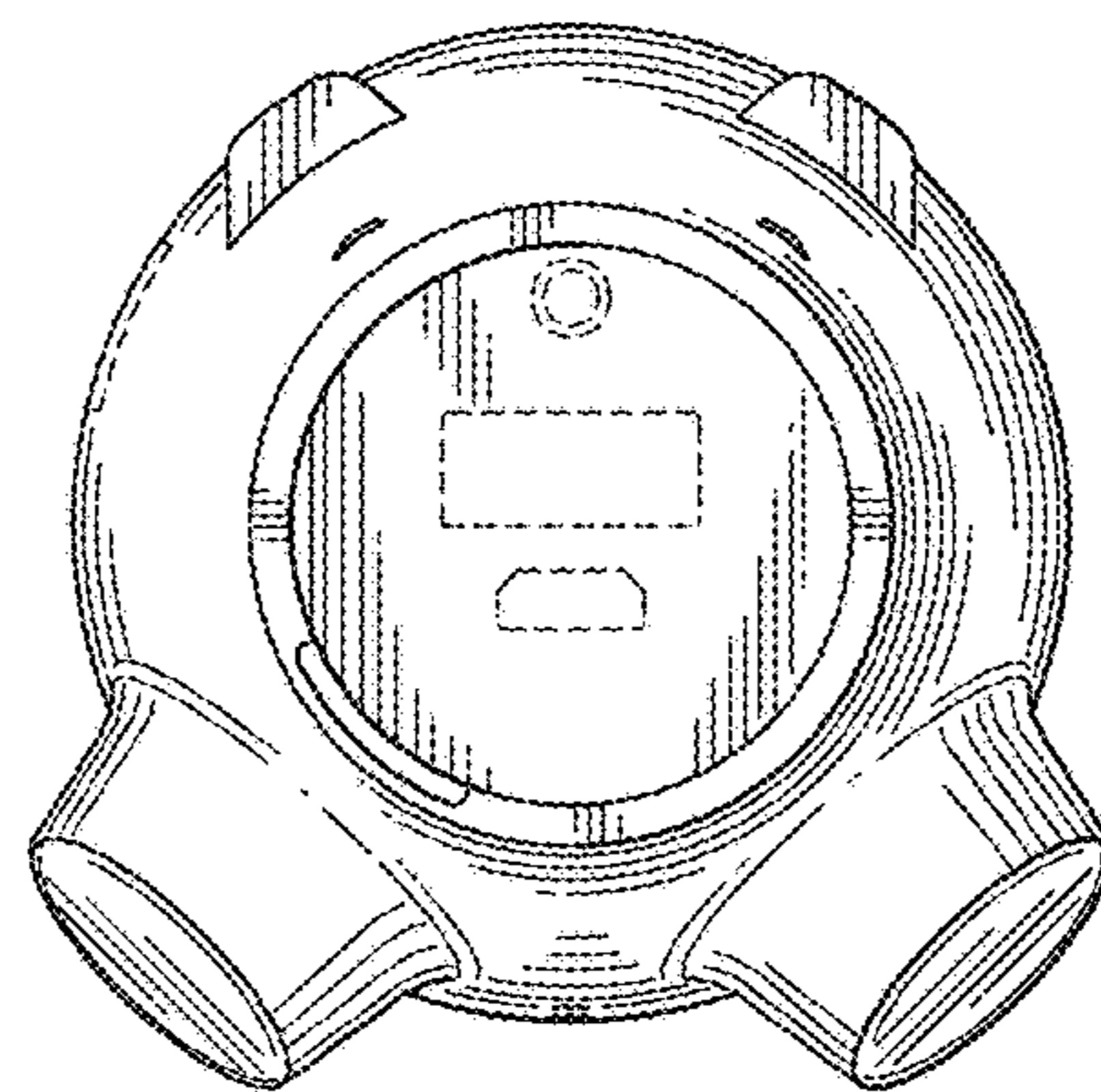


FIG.9