



US00D792342S

(12) **United States Design Patent** (10) **Patent No.:** **US D792,342 S**
Purigraski et al. (45) **Date of Patent:** **** Jul. 18, 2017**

- (54) **MID-CLAMP FOR ROOF MOUNTED PHOTOVOLTAIC MODULES**
- (71) Applicant: **Unirac Inc.**, Albuquerque, NM (US)
- (72) Inventors: **Caitlin Purigraski**, Albuquerque, NM (US); **Stacy Harris**, Albuquerque, NM (US)
- (73) Assignee: **Unirac Inc.**, Albuquerque, NM (US)
- (**) Term: **15 Years**
- (21) Appl. No.: **29/571,430**
- (22) Filed: **Jul. 18, 2016**

Related U.S. Application Data

- (63) Continuation of application No. 15/192,173, filed on Jun. 24, 2016.
- (51) **LOC (10) Cl.** **13-02**
- (52) **U.S. Cl.**
USPC **D13/102**
- (58) **Field of Classification Search**
USPC D13/102, 118, 184, 199; D8/349, 354, D8/355, 356; D25/119, 123, 124, 125; 52/173.3, 460; 126/573, 580; 136/206, 136/244-251, 256, 291, 292; 439/567
CPC H02S 20/24; H02S 30/10; H02S 30/20; H01L 31/042; F16B 1/00; F16B 2001/0064; F24J 2/5205; F24J 2/5237; F24J 2/5256
See application file for complete search history.

(56) **References Cited**

U.S. PATENT DOCUMENTS

- 6,105,316 A * 8/2000 Bottger F24J 2/5237 126/623
- 7,260,918 B2 8/2007 Liebendorfer

- 7,434,362 B2 10/2008 Liebendorfer
- 7,780,472 B2 8/2010 Lenox
- 8,156,697 B2 4/2012 Miros et al.
- 8,181,926 B2 5/2012 Magno, Jr. et al.
- 8,234,824 B2 8/2012 Botkin et al.
- 8,266,848 B2 9/2012 Miros et al.
- 8,291,653 B2 10/2012 Suarez et al.
- 8,413,944 B2 4/2013 Harberts et al.
- 8,430,372 B2 4/2013 Haddock
- 8,475,185 B2 7/2013 Rivera et al.
- 8,505,864 B1 8/2013 Taylor et al.
- 8,615,939 B2 12/2013 Seery et al.
- D699,176 S * 2/2014 Salomon D13/102
- 8,640,400 B2 2/2014 Liebendorfer
- 8,740,163 B1 6/2014 Taylor et al.
- 8,746,646 B2 6/2014 Fluhner et al.
- 8,748,733 B2 6/2014 Leary
- D708,124 S * 7/2014 Ilzhoefner D13/102
- 8,801,349 B2 8/2014 McPheeters
- 8,813,441 B2 8/2014 Rizzo
- 8,844,215 B2 9/2014 Wildes et al.
- 8,850,754 B2 10/2014 Rizzo
- 8,869,471 B2 10/2014 Wildes et al.
- D718,228 S * 11/2014 Clarkson D13/102

(Continued)

Primary Examiner — Derrick Holland

(74) *Attorney, Agent, or Firm* — Crowell & Moring LLP

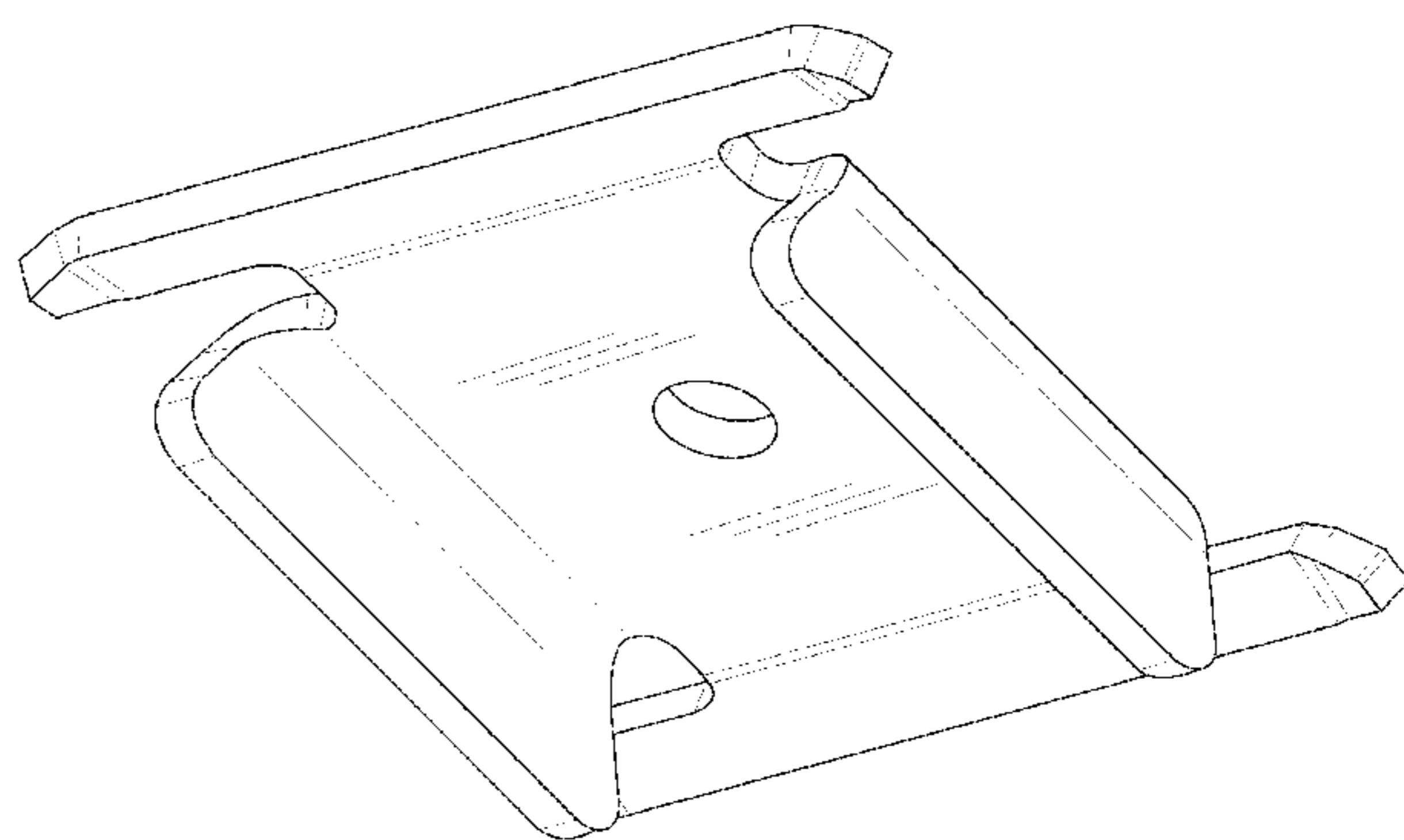
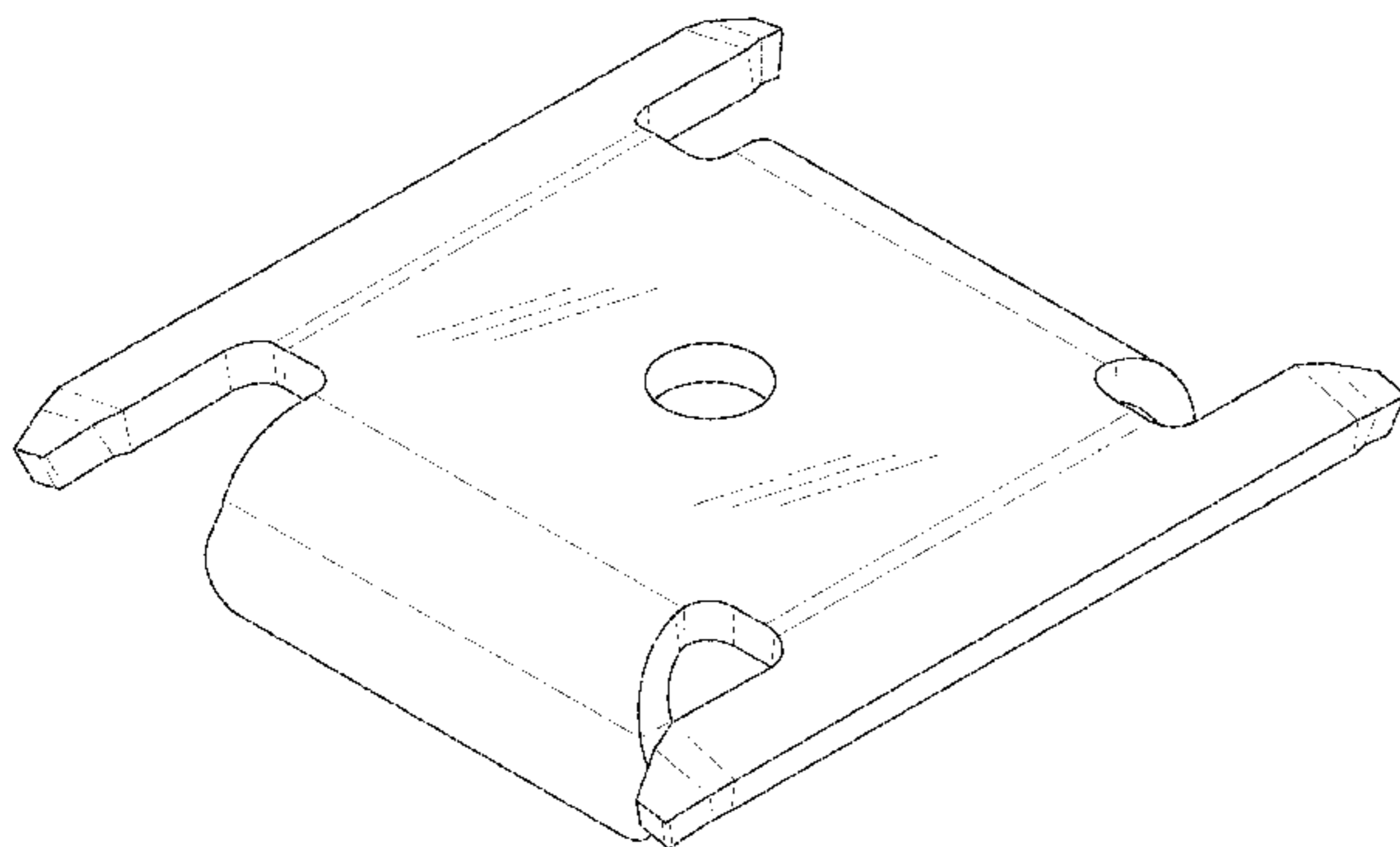
(57) **CLAIM**

The ornamental design for a mid-clamp for roof mounted photovoltaic modules, as shown and described.

DESCRIPTION

FIG. 1 is a top perspective view of a mid-clamp for roof mounted photovoltaic modules according to the design; FIG. 2 is a bottom perspective view thereof; FIG. 3 is a top plan view thereof; FIG. 4 is a front elevational view thereof, the rear elevational view being identical; and, FIG. 5 is a side elevational view thereof, the other side elevational view being identical.

1 Claim, 4 Drawing Sheets



(56)

References Cited

U.S. PATENT DOCUMENTS

8,875,453 B2	11/2014	Kanczuzewski et al.	2010/0219304 A1*	9/2010	Miros	F24J 2/5205 248/125.8
D718,703 S	12/2014	Rizzo	2010/0275975 A1	11/2010	Monschke et al.	
D718,704 S	12/2014	Rizzo	2011/0108083 A1*	5/2011	Ravestein	F24J 2/5237 136/244
D723,455 S *	3/2015	Luconi	2011/0138585 A1	6/2011	Kmita et al.	
8,984,819 B1	3/2015	Yang et al.	2012/0097816 A1*	4/2012	Tamm	H02S 20/30 248/309.1
9,003,726 B2	4/2015	Sader	2012/0223032 A1*	9/2012	Rothschild	F24J 2/5237 211/41.1
9,010,043 B2	4/2015	Kanczuzewski et al.	2014/0010616 A1	1/2014	Meine et al.	
9,032,673 B2	5/2015	Kanczuzewski et al.	2014/0096462 A1	4/2014	Haddock	
9,038,329 B2	5/2015	Pelman et al.	2014/0102016 A1*	4/2014	Hemingway	F24J 2/5256 52/173.3
9,052,123 B2	6/2015	Anderson et al.	2014/0130847 A1	5/2014	West et al.	
9,057,542 B2	6/2015	Schuit et al.	2014/0174511 A1	6/2014	West et al.	
9,087,947 B2	7/2015	Kanczuzewski et al.	2014/0290716 A1	10/2014	Stubbs	
9,106,023 B2	8/2015	Schaefer et al.	2014/0311552 A1	10/2014	Garrett	
9,142,700 B2	9/2015	Meine et al.	2015/0171786 A1	6/2015	Worden	
9,145,906 B2	9/2015	Schuit et al.	2015/0214884 A1	7/2015	Rizzo	
9,157,619 B1 *	10/2015	Newton	2015/0249423 A1	9/2015	Braunstein et al.	
9,160,273 B2	10/2015	Schuit et al.	2015/0256120 A1	9/2015	Anderson et al.	
9,166,522 B1	10/2015	Zvanut et al.	2015/0288320 A1	10/2015	Stearns et al.	
9,175,878 B2	11/2015	Kemmer et al.	2015/0311606 A1	10/2015	Meine et al.	
9,196,755 B2	11/2015	Wildes	2015/0311854 A1	10/2015	Goehringer et al.	
9,214,891 B2	12/2015	Dickey	2016/0069592 A1	3/2016	Giraud et al.	
9,249,925 B2	2/2016	Roensch et al.	2016/0072426 A1	3/2016	Babineau, Jr. et al.	
9,303,663 B2	4/2016	Greenamyre et al.	2016/0111997 A1	4/2016	Ganshaw et al.	
2009/0320904 A1	12/2009	Botkin et al.				
2010/0089390 A1	4/2010	Miros et al.				

* cited by examiner

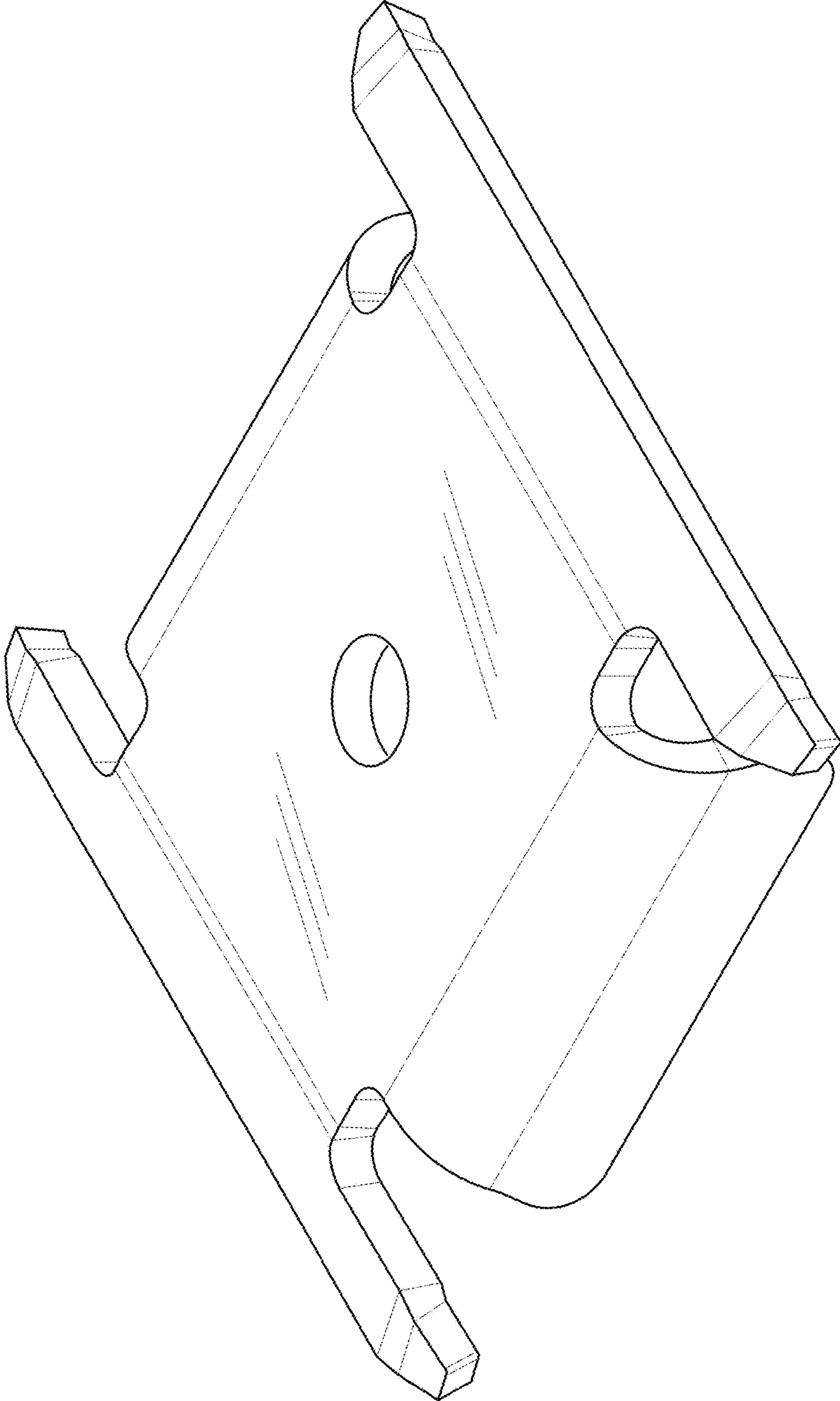


FIG. 1

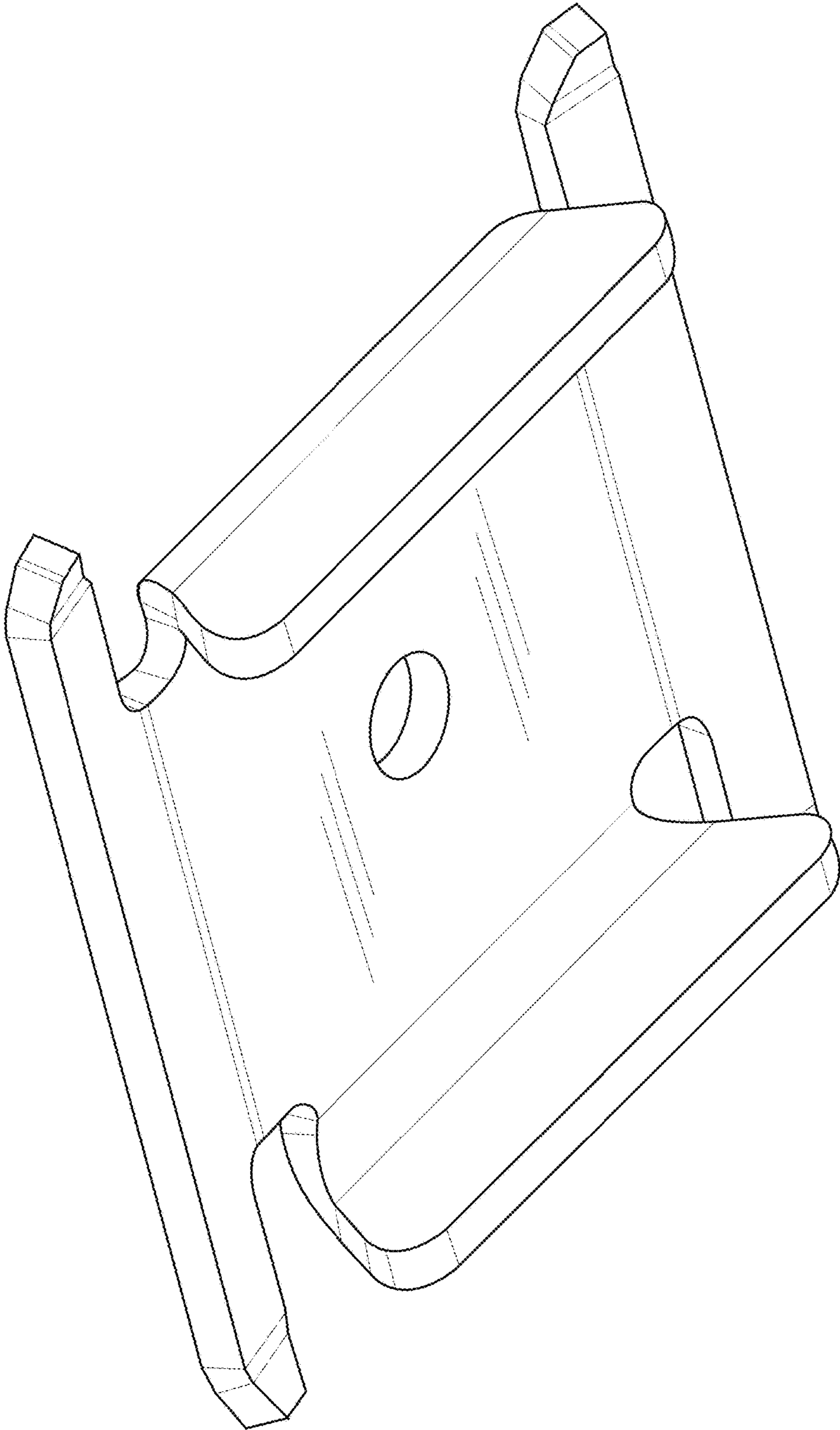


FIG. 2

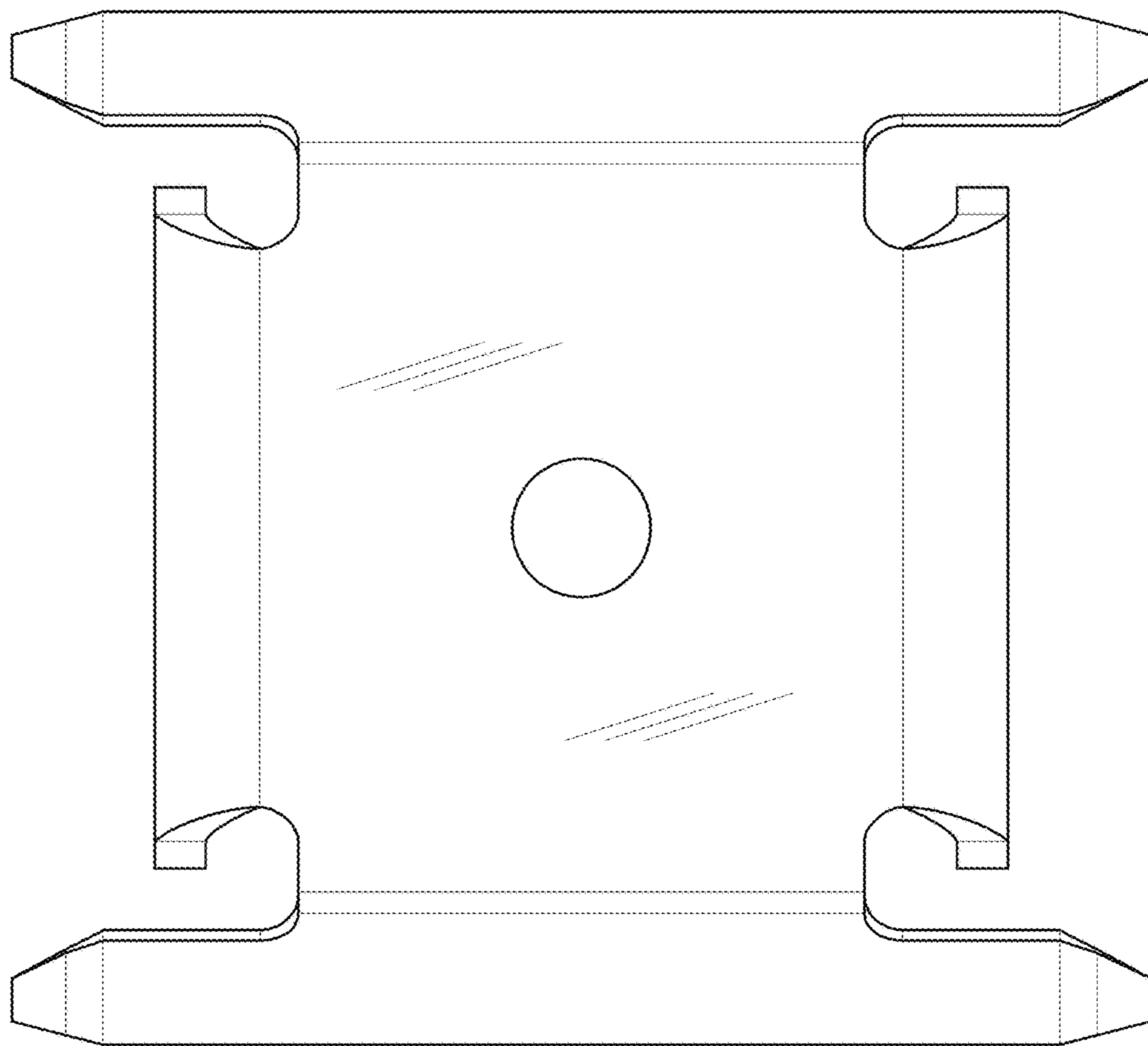


FIG. 3

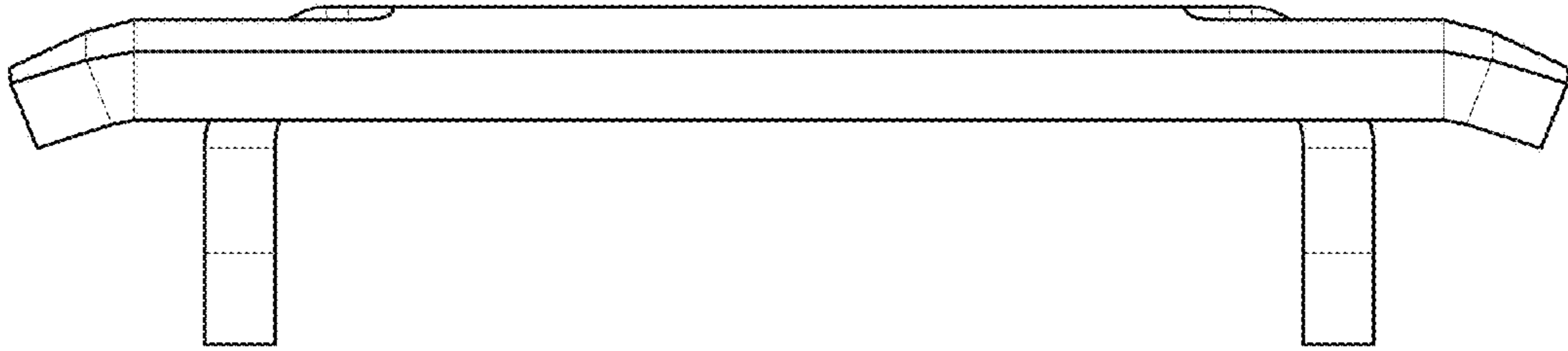


FIG. 4

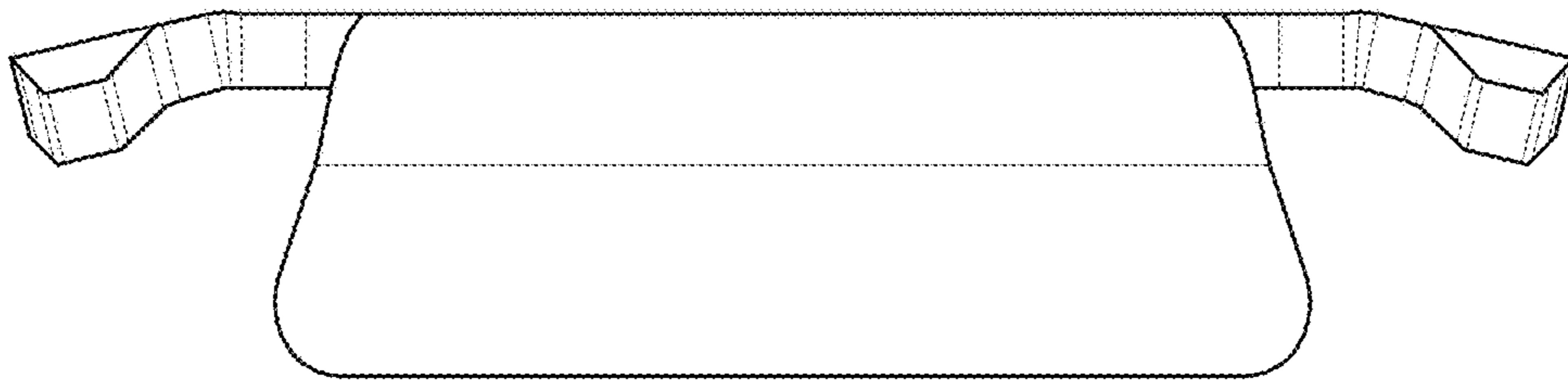


FIG. 5