



US00D792338S

(12) **United States Design Patent** (10) **Patent No.:** **US D792,338 S**
Itoi (45) **Date of Patent:** **** Jul. 18, 2017**

(54) **TIRE SIDEWALL**
(71) Applicant: **BRIDGESTONE CORPORATION,**
Tokyo (JP)
(72) Inventor: **Dyta Itoi,** Tokyo (JP)
(73) Assignee: **BRIDGESTONE CORPORATION,**
Chuo-ku, Tokyo (JP)
(**) Term: **15 Years**

D622,210 S 8/2010 Raatikainen et al.
D638,784 S * 5/2011 Scheifele D12/605
D640,188 S * 6/2011 Strader D12/605
D645,812 S * 9/2011 Tokizaki D12/605
D647,474 S * 10/2011 Takahashi D12/605
D655,671 S * 3/2012 Yasunaga D12/605
D708,121 S * 7/2014 Iwabuchi D12/605
D711,816 S * 8/2014 Iwabuchi D12/605
D730,819 S * 6/2015 Scheifele D12/605
D735,123 S * 7/2015 Iwabuchi D12/605
D735,124 S * 7/2015 Iwabuchi D12/605
D740,747 S * 10/2015 Sato D12/605

(Continued)

(21) Appl. No.: **29/564,304**

(22) Filed: **May 12, 2016**

(30) **Foreign Application Priority Data**

Nov. 13, 2015 (JP) 2015-025460

(51) **LOC (10) Cl.** **12-15**

(52) **U.S. Cl.**
USPC **D12/605**

(58) **Field of Classification Search**
USPC D12/500-605, 900; D5/30; D7/396.4,
D7/396.5, 588; 152/DIG. 12, 209, 209.8,
152/209.9, 209.12, 209.16, 209.26,
152/209.27, 517, 523, 524, 902, 903
CPC B60C 13/00; B60C 13/001; B60C 13/02;
B60C 1/00; B60C 1/0025; B60C 17/08
See application file for complete search history.

(56) **References Cited**

U.S. PATENT DOCUMENTS

D327,810 S * 7/1992 Unger D7/396.4
D540,739 S * 4/2007 Maxwell D12/605
D542,220 S * 5/2007 Shondel D12/605
D543,499 S * 5/2007 Shondel D12/605
D544,435 S * 6/2007 Kindig D12/605
D563,310 S * 3/2008 Shondel D12/605
D585,017 S * 1/2009 Shondel D12/605
D605,583 S * 12/2009 Scheifele D12/605
D606,488 S * 12/2009 Scheifele D12/605

OTHER PUBLICATIONS

Communication dated Apr. 26, 2016 from Japanese Patent Office in counterpart Application No. 2015-025460.

Primary Examiner — Wan Laymon

Assistant Examiner — Clint A Samuel

(74) *Attorney, Agent, or Firm* — Sughrue Mion, PLLC

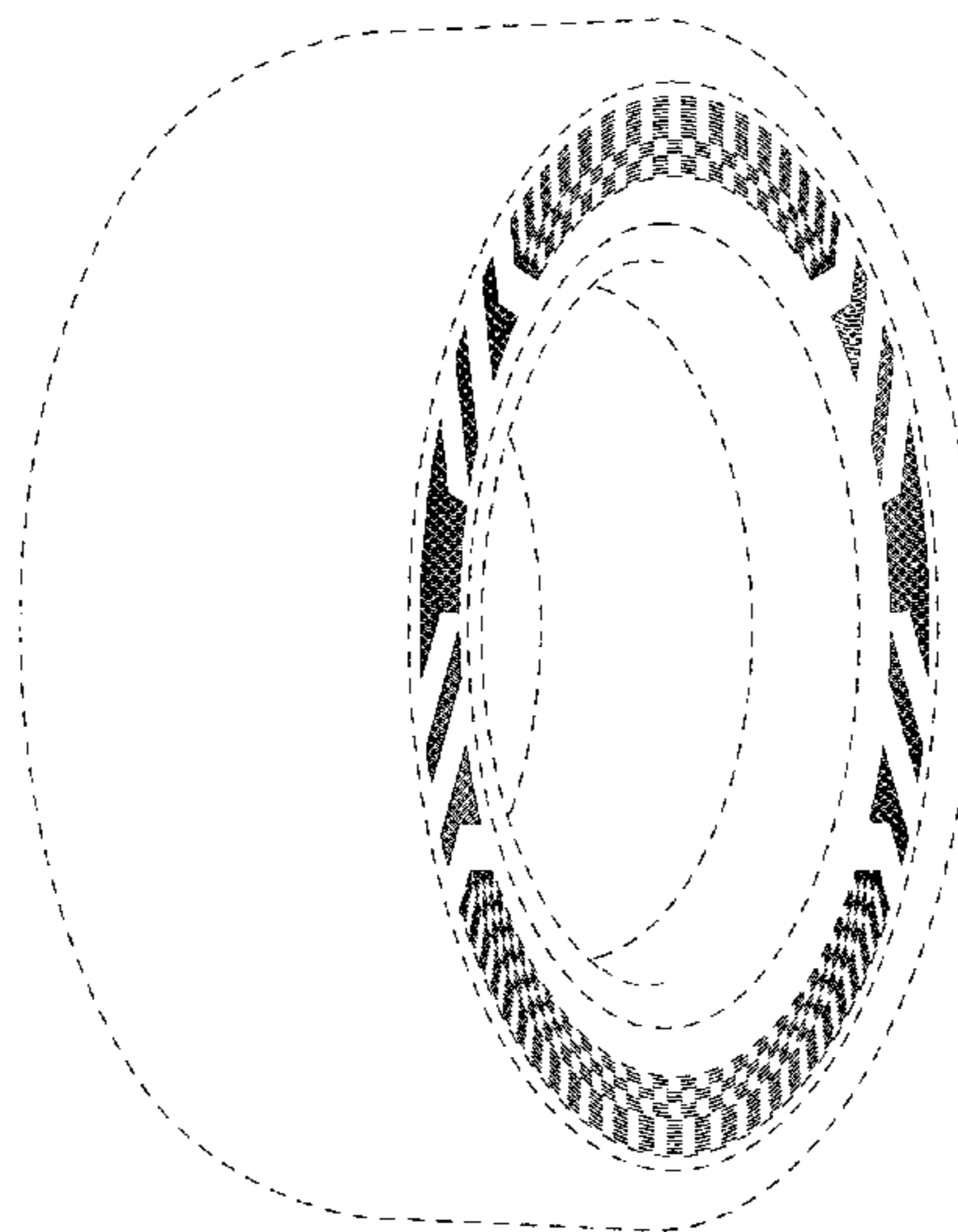
(57) **CLAIM**

The ornamental design for a tire sidewall, as shown and described.

DESCRIPTION

FIG. 1 is a perspective view of a tire sidewall showing my design;
FIG. 2 is a front view thereof;
FIG. 3 is a top view thereof;
FIG. 4 is a right side view thereof;
FIG. 5 is a rear view thereof;
FIG. 6 is a fragmentary enlarged view showing the details of the sidewall defined by cross-section by lines 6-6 and 6-6 in FIG. 2; and,
FIG. 7 is a section view taken along line 7-7 in FIG. 6.
The broken lines are used to show portions of the tire that are not being claimed, and thus form no part of the claimed design.

1 Claim, 7 Drawing Sheets



(56)

References Cited

U.S. PATENT DOCUMENTS

D749,499	S	*	2/2016	Iwabuchi	D12/605
D750,553	S	*	3/2016	Scheifele	D12/605
D768,067	S	*	10/2016	Kuwano	D12/605
D768,565	S	*	10/2016	Yasunaga	D12/605
D769,806	S	*	10/2016	Yasunaga	D12/605
D773,985	S	*	12/2016	Sakamoto	D12/605
D773,986	S	*	12/2016	Nakamura	D12/605
D773,988	S	*	12/2016	Itoi	D12/605

* cited by examiner

FIG. 1

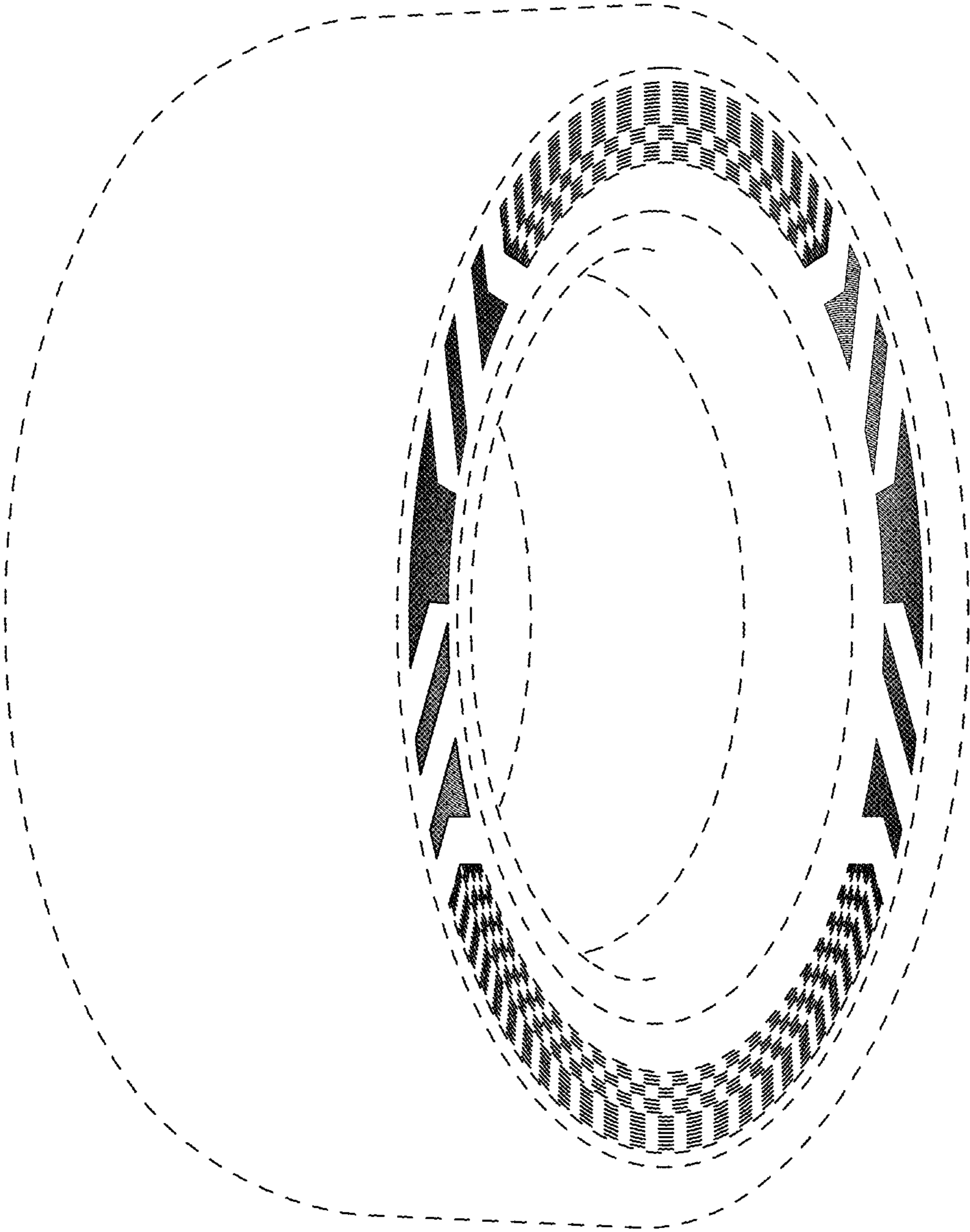


FIG. 2

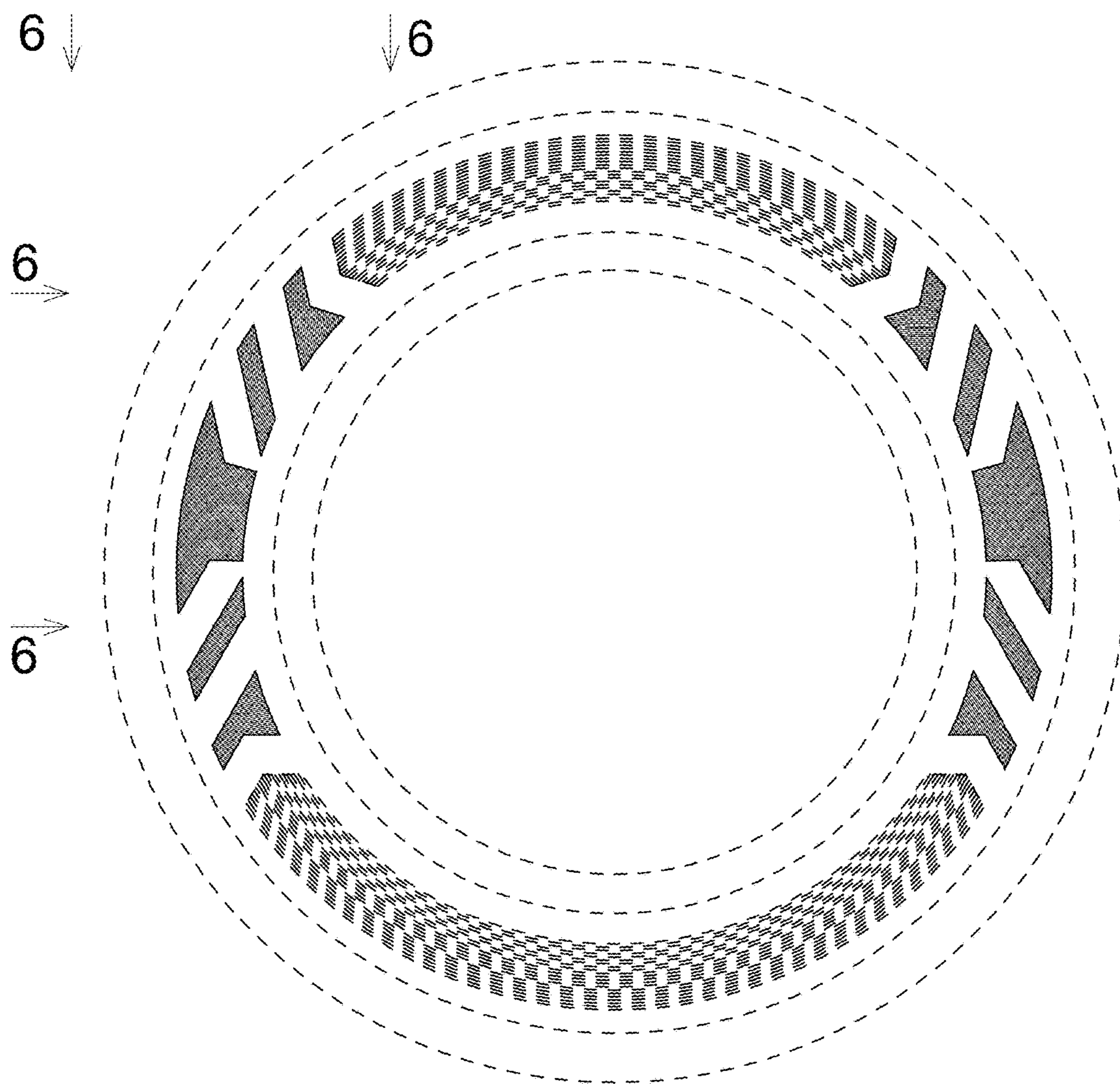


FIG. 3



FIG. 4

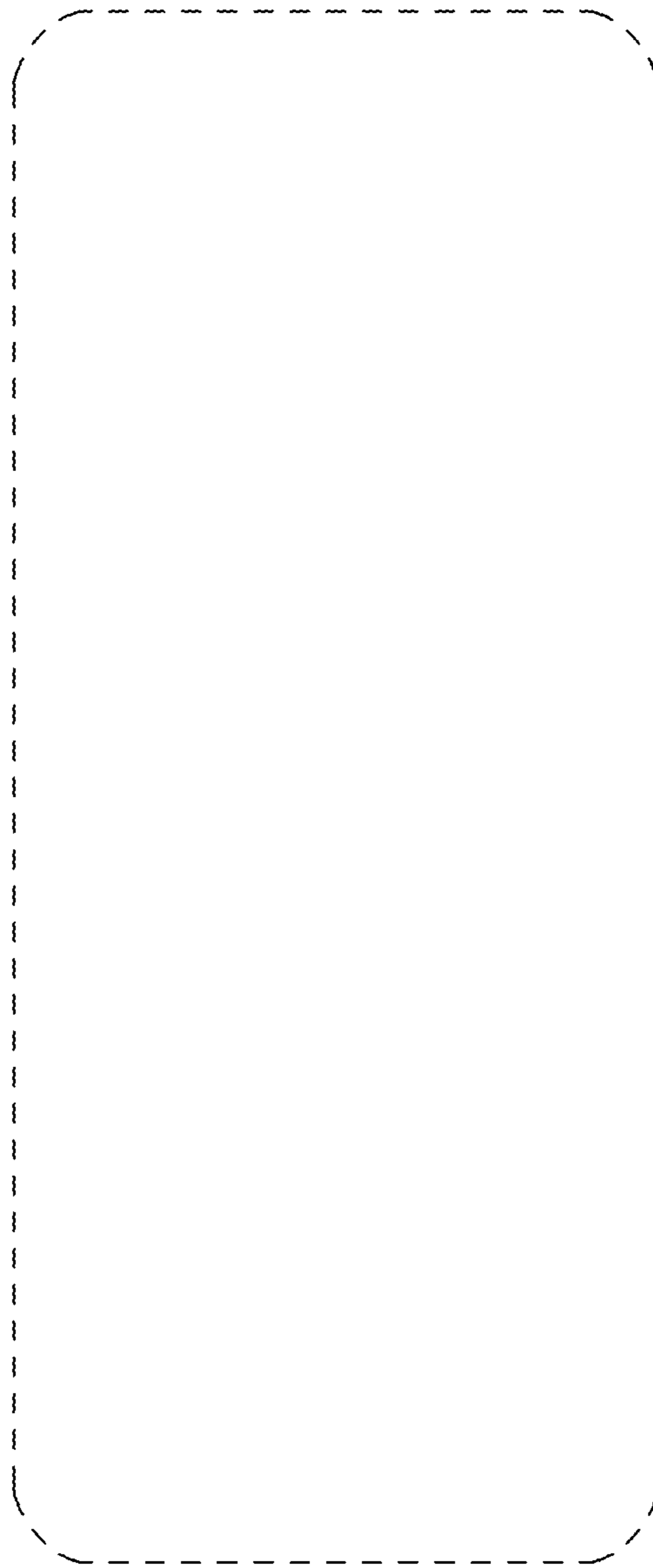


FIG. 5

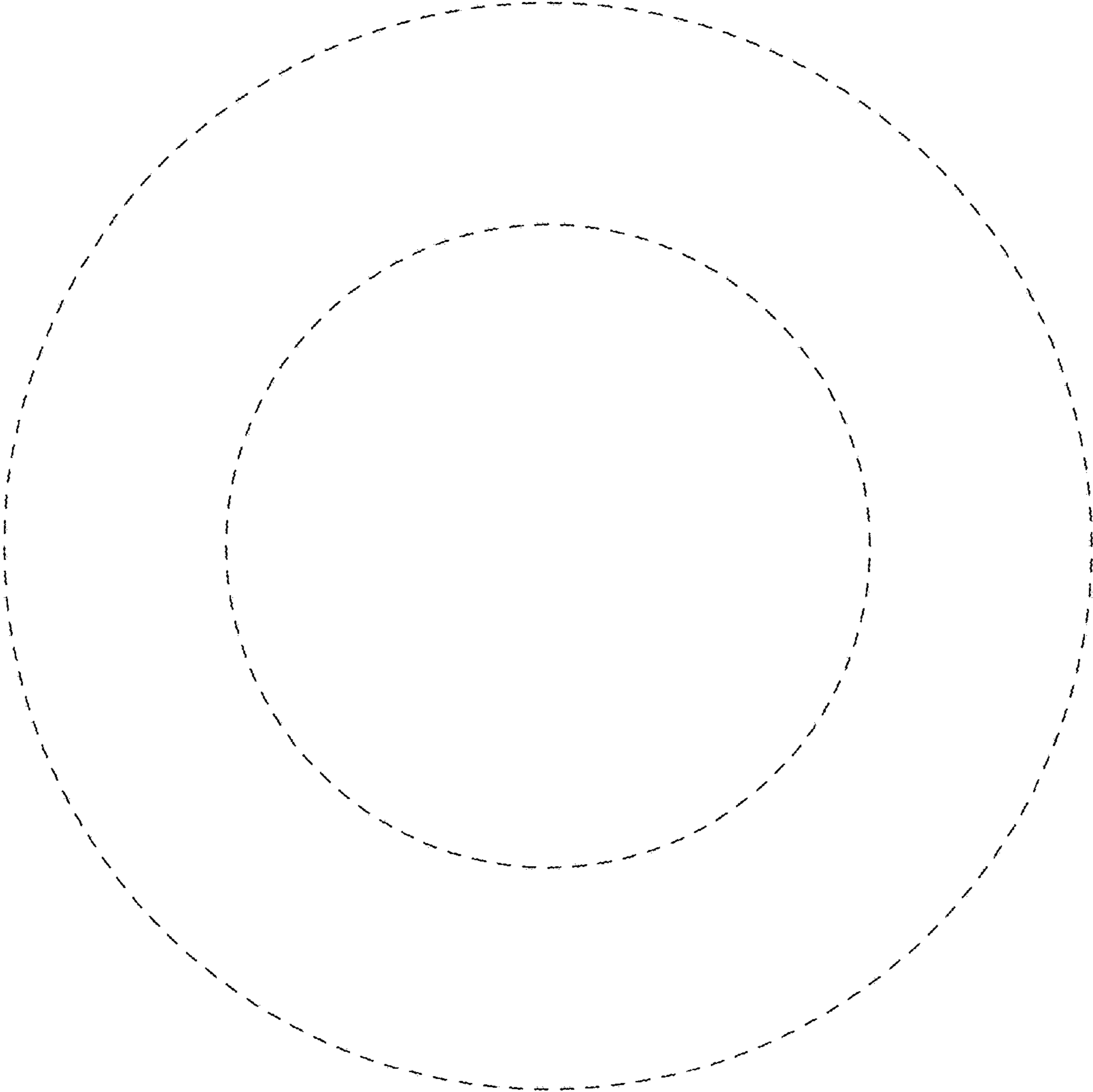


FIG. 6

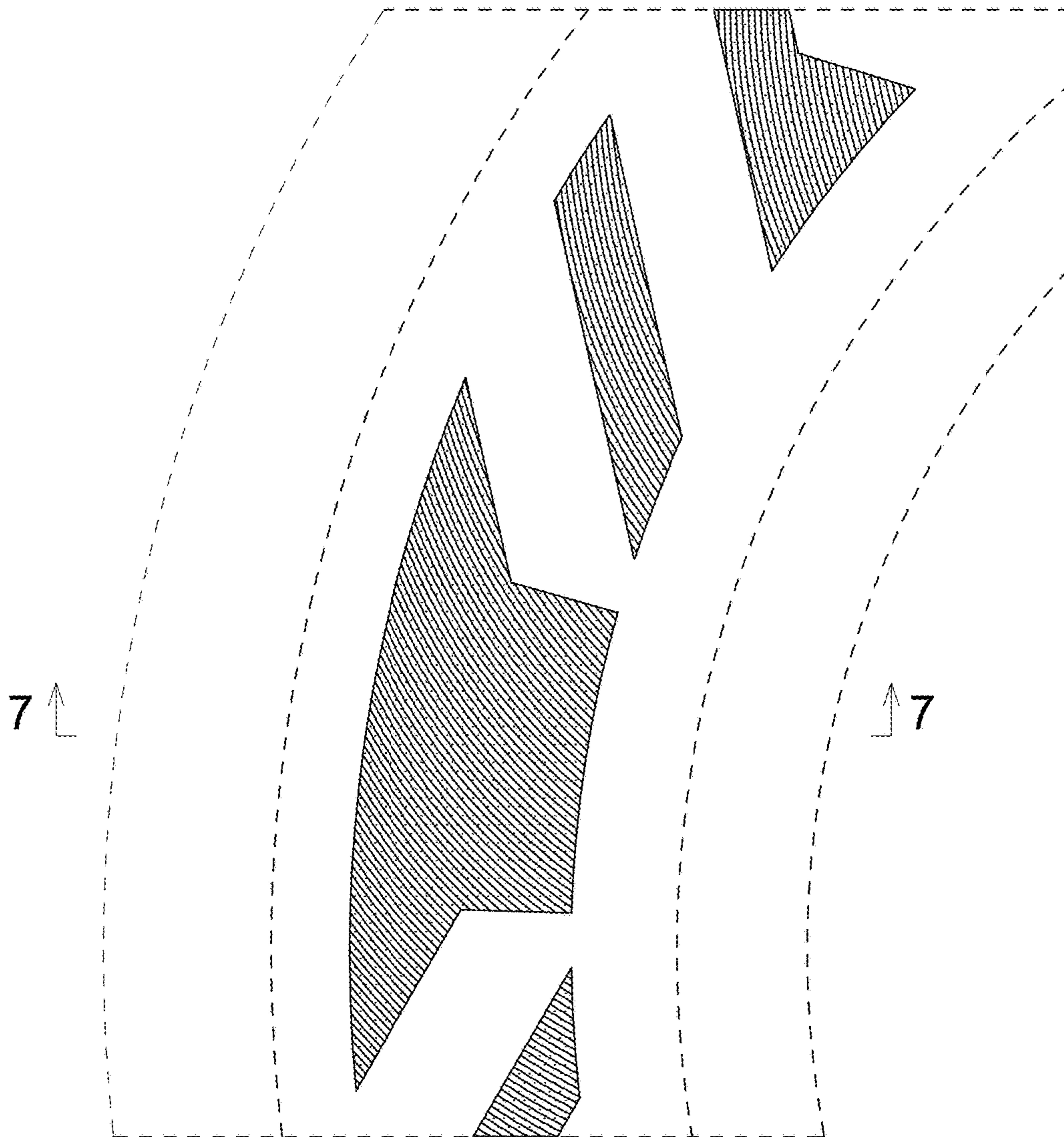


FIG. 7

