



US00D792336S

(12) **United States Design Patent**  
**Iwabuchi**

(10) **Patent No.:** **US D792,336 S**  
(45) **Date of Patent:** **\*\* Jul. 18, 2017**

- (54) **TIRE SIDEWALL**
- (71) Applicant: **BRIDGESTONE CORPORATION**,  
Tokyo (JP)
- (72) Inventor: **Sotaro Iwabuchi**, Tokyo (JP)
- (73) Assignee: **BRIDGESTONE CORPORATION**,  
Chuo-ku, Tokyo (JP)
- (\*\*) Term: **15 Years**
- (21) Appl. No.: **29/561,338**
- (22) Filed: **Apr. 15, 2016**

D606,488 S *	12/2009	Scheifele	.....	D12/605
D638,784 S *	5/2011	Scheifele	.....	D12/605
D640,188 S *	6/2011	Strader	.....	D12/605
D645,812 S *	9/2011	Tokizaki	.....	D12/605
D647,474 S *	10/2011	Takahashi	.....	D12/605
D655,671 S *	3/2012	Yasunaga	.....	D12/605
D708,121 S *	7/2014	Iwabuchi	.....	D12/605
D711,816 S *	8/2014	Iwabuchi	.....	D12/605
D730,819 S *	6/2015	Scheifele	.....	D12/605
D735,123 S *	7/2015	Iwabuchi	.....	D12/605
D735,124 S *	7/2015	Iwabuchi	.....	D12/605
D740,747 S *	10/2015	Sato	.....	D12/605
D749,499 S *	2/2016	Iwabuchi	.....	D12/605
D750,553 S *	3/2016	Scheifele	.....	D12/605
D768,067 S *	10/2016	Kuwano	.....	D12/605
D768,565 S *	10/2016	Yasunaga	.....	D12/605
D769,806 S *	10/2016	Yasunaga	.....	D12/605

(Continued)

(30) **Foreign Application Priority Data**

Oct. 16, 2015 (JP) ..... 2015-022946

(51) **LOC (10) Cl.** ..... **12-15**

(52) **U.S. Cl.**  
USPC ..... **D12/605**

(58) **Field of Classification Search**  
USPC ..... D12/500-605, 900; D5/30; D7/396.4,  
D7/396.5, 588; 152/DIG. 12, 209, 209.8,  
152/209.9, 209.12, 209.16, 209.26,  
152/209.27, 517, 523, 524, 902, 903  
CPC ..... B60C 13/00; B60C 13/001; B60C 13/02;  
B60C 1/00; B60C 1/0025; B60C 17/08  
See application file for complete search history.

(56) **References Cited**

**U.S. PATENT DOCUMENTS**

D327,810 S *	7/1992	Unger	.....	D7/396.4
D540,739 S *	4/2007	Maxwell	.....	D12/605
D542,220 S *	5/2007	Shondel	.....	D12/605
D543,499 S *	5/2007	Shondel	.....	D12/605
D544,435 S *	6/2007	Kindig	.....	D12/605
D563,310 S *	3/2008	Shondel	.....	D12/605
D585,017 S *	1/2009	Shondel	.....	D12/605
D605,583 S *	12/2009	Scheifele	.....	D12/605

*Primary Examiner* — Wan Laymon

*Assistant Examiner* — Clint A Samuel

(74) *Attorney, Agent, or Firm* — Sughrue Mion, PLLC

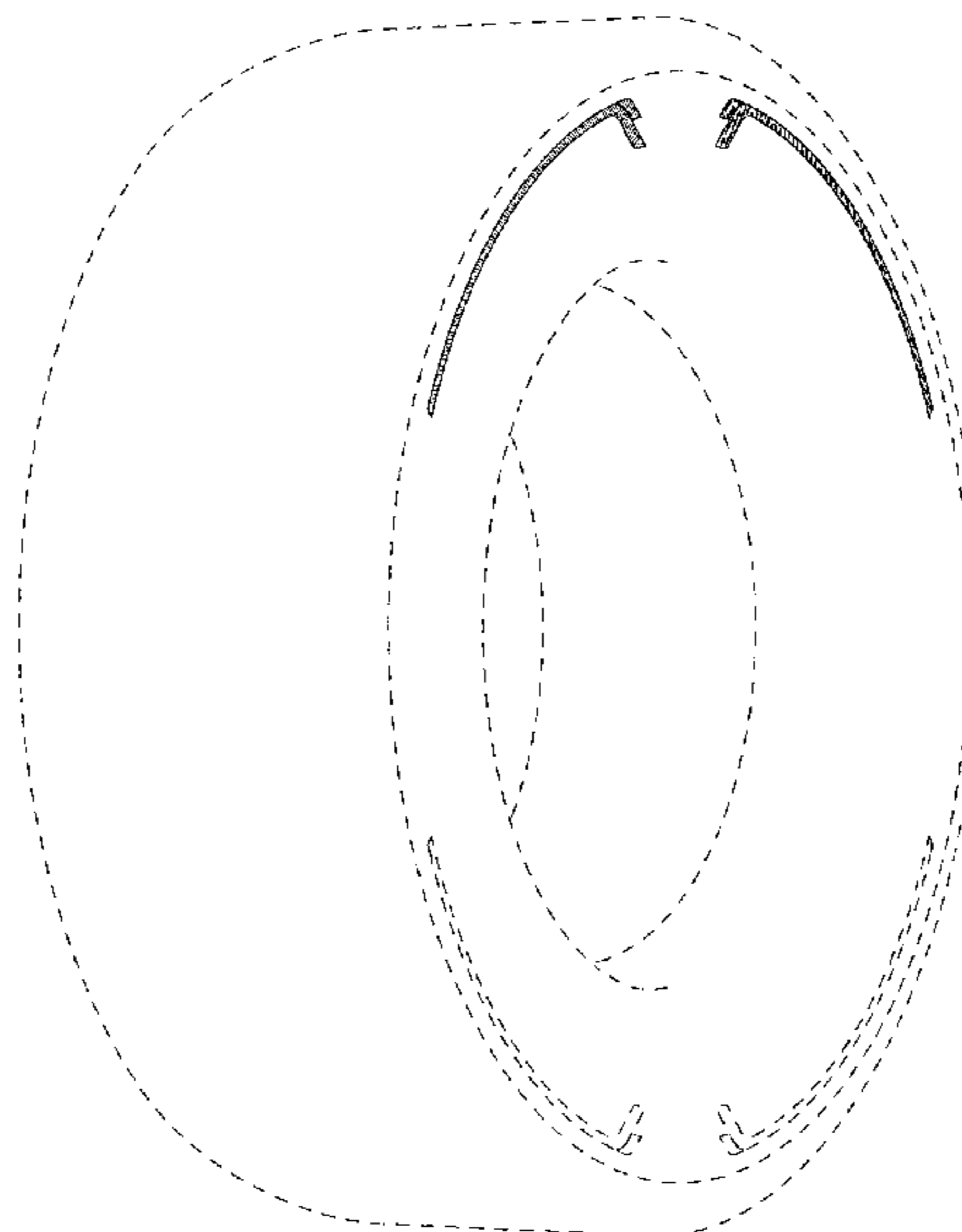
(57) **CLAIM**

The ornamental design for a tire sidewall, as shown and described.

**DESCRIPTION**

FIG. 1 is a perspective view of tire sidewall showing my design;  
 FIG. 2 is a front view thereof;  
 FIG. 3 is a top view thereof;  
 FIG. 4 is a right side view thereof;  
 FIG. 5 is a rear view thereof;  
 FIG. 6 is a fragmentary enlarged view showing the details of the sidewall defined by cross-section by line 6-6 and 6-6 in FIG. 2; and,  
 FIG. 7 is a section view taken along line 7-7 in FIG. 6.  
 The broken lines show portions of the tire sidewall that are not being claimed, and thus form no part of the claimed design.

**1 Claim, 7 Drawing Sheets**



(56)

**References Cited**

U.S. PATENT DOCUMENTS

D773,985 S \* 12/2016 Sakamoto ..... D12/605  
D773,986 S \* 12/2016 Nakamura ..... D12/605  
D773,988 S \* 12/2016 Itoi ..... D12/605

\* cited by examiner

*FIG. 1*

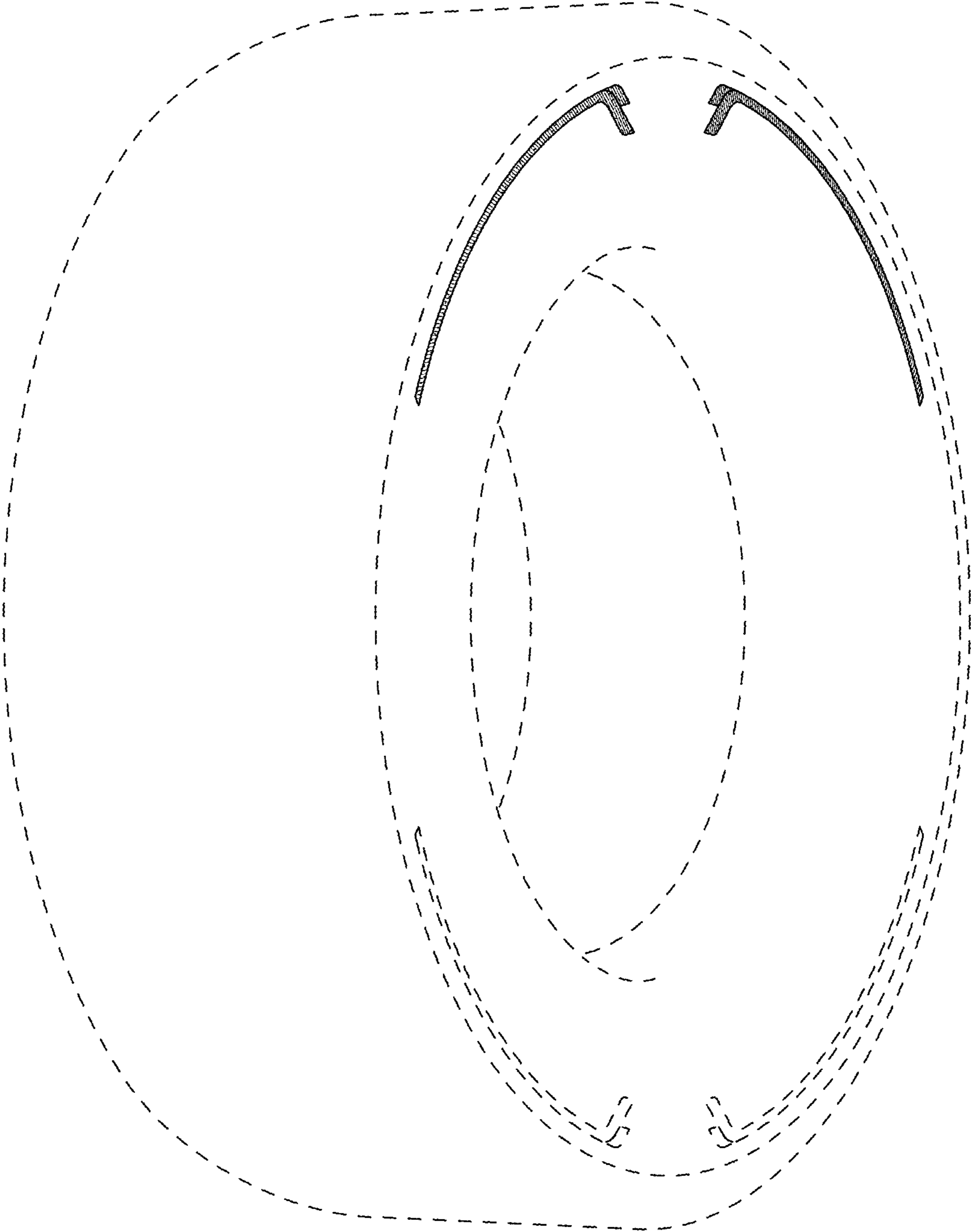
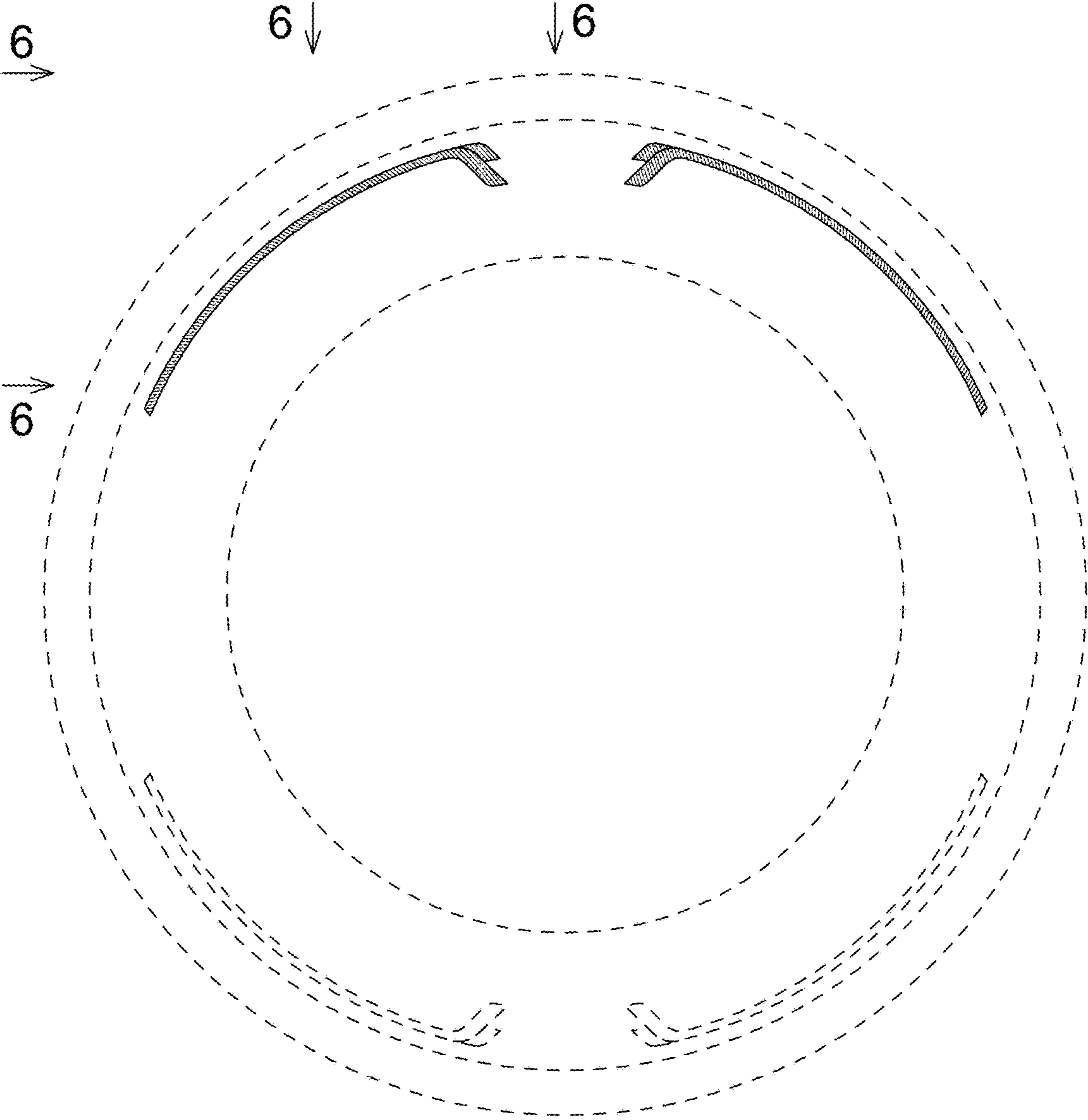


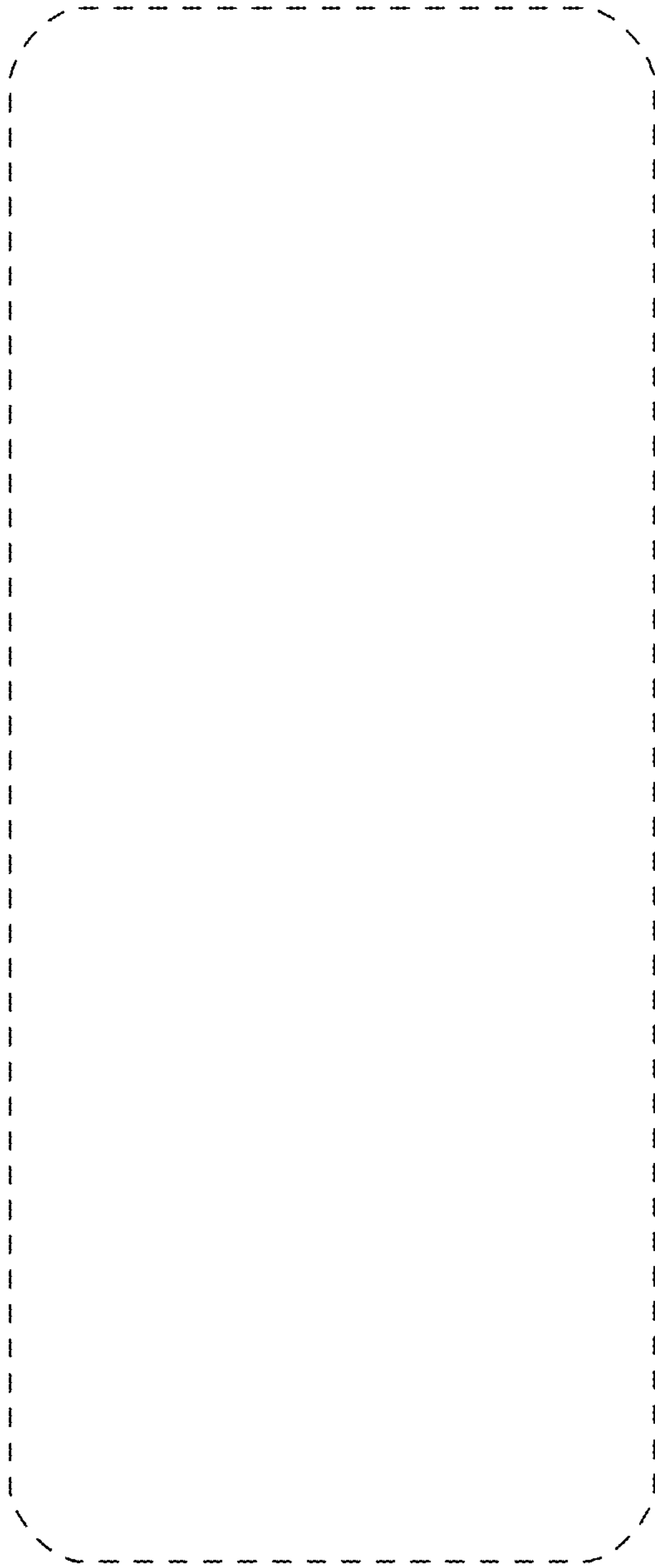
FIG. 2



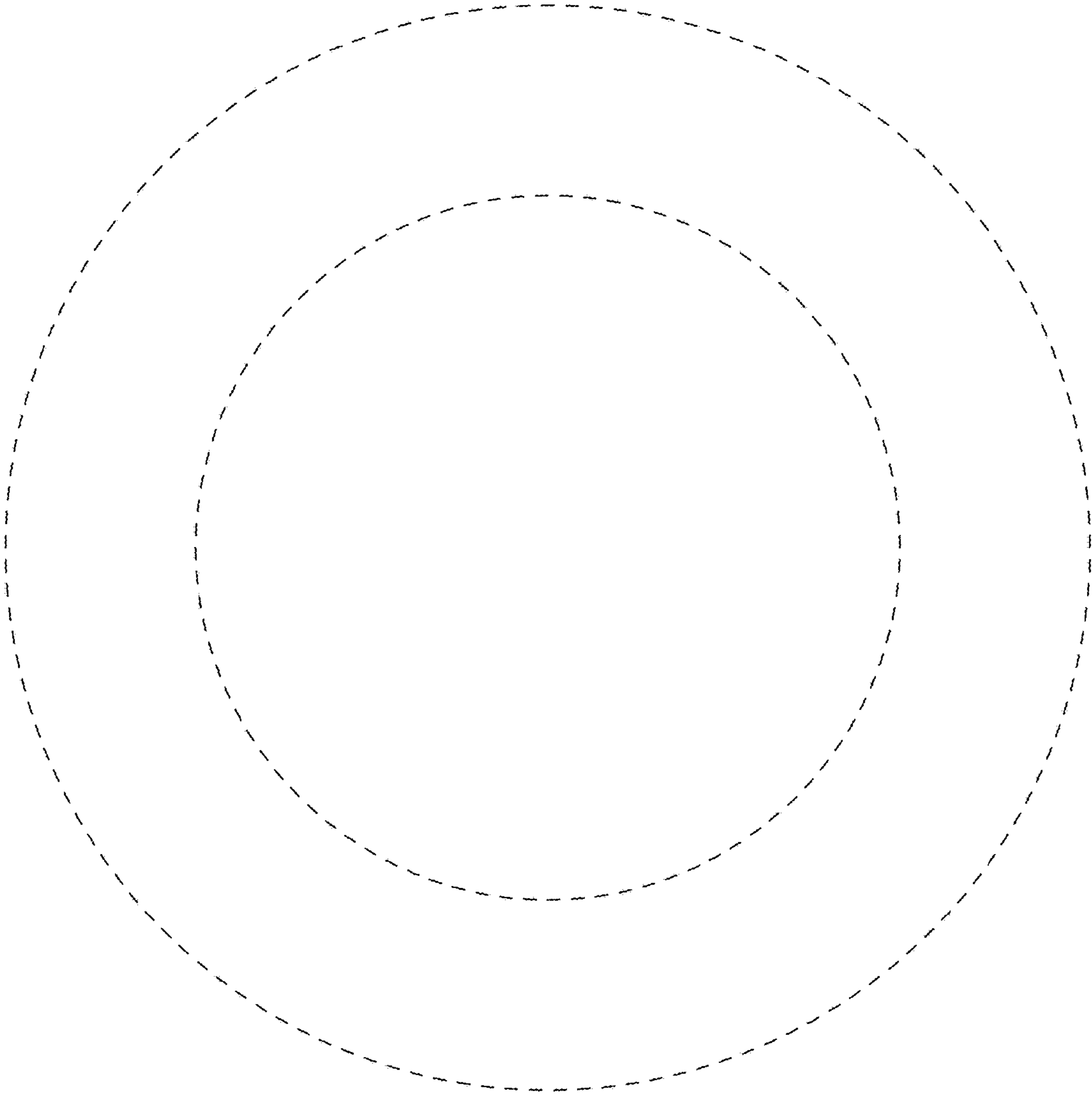
*FIG. 3*



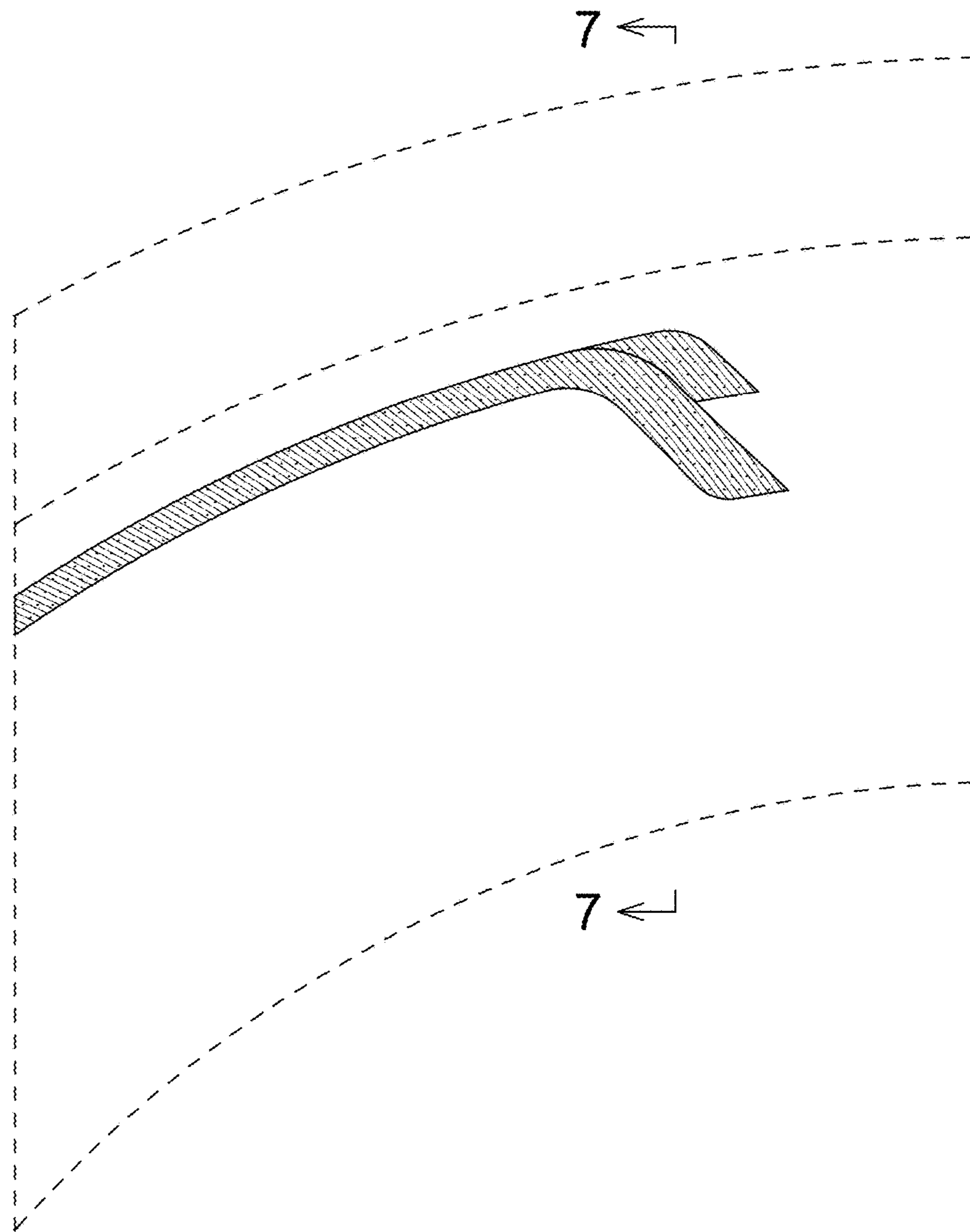
*FIG. 4*



*FIG. 5*



*FIG. 6*





*FIG. 7*

