



US00D792326S

(12) **United States Design Patent** (10) **Patent No.:** **US D792,326 S**
Takei (45) **Date of Patent:** **** Jul. 18, 2017**

(54) **TREAD OF AN AUTOMOBILE TIRE**

(71) Applicant: **BRIDGESTONE CORPORATION**,
Chuo-ku, Tokyo (JP)

(72) Inventor: **Ataka Takei**, Tokyo (JP)

(73) Assignee: **BRIDGESTONE CORPORATION**,
Chuo-ku, Tokyo (JP)

(**) Term: **15 Years**

(21) Appl. No.: **29/536,416**

(22) Filed: **Aug. 17, 2015**

(30) **Foreign Application Priority Data**

Feb. 18, 2015 (JP) 2015-003291

(51) **LOC (10) Cl.** **12-15**

(52) **U.S. Cl.**
USPC **D12/532**

(58) **Field of Classification Search**
USPC D12/500-532, 584, 593, 594, 595, 601,
D12/604

CPC B60C 11/0311; B60C 11/0309; B60C
11/0304; B60C 11/03; B60C 11/0327;
B60C 11/0316; B60C 11/042; B60C
11/04; B60C 11/1323; B60C 2011/0344;
B60C 2011/0341; B60C 2011/0339;
B60C 2011/0388; B60C 2011/0386;
B60C 2011/0358; B60C 2011/0351;
B60C 2011/0348; B60C 2011/1231;
B60C 2011/1209

See application file for complete search history.

(56) **References Cited**

U.S. PATENT DOCUMENTS

D432,956 S * 10/2000 Ricquet D12/521
D597,474 S * 8/2009 Yamakawa D12/519
D599,276 S * 9/2009 Fontaine D12/519

D601,939 S * 10/2009 Fontaine D12/519
D609,161 S * 2/2010 Fontaine D12/517
D644,593 S * 9/2011 Fontaine D12/523
D648,668 S * 11/2011 Kujime D12/519
D671,065 S * 11/2012 Scheifele D12/531
D701,822 S * 4/2014 Bindner D12/523
D735,637 S * 8/2015 Hughes D12/521
D753,049 S * 4/2016 Koishikawa D12/523

(Continued)

OTHER PUBLICATIONS

Sava intensa uhp, posted at Tyre Reviews, review posting date Aug. 25, 2013. [online], [site visited Dec. 1, 2016]. Available from Internet, <URL: <http://www.tyrereviews.co.uk/Tyre/Sava/intensa-uhp.htm>>.*

(Continued)

Primary Examiner — Kevin Rudzinski

Assistant Examiner — Kathleen Jones

(74) *Attorney, Agent, or Firm* — Sughrue Mion, PLLC

(57) **CLAIM**

The ornamental design for a tread of an automobile tire, as shown and described.

DESCRIPTION

FIG. 1 is a perspective view of a tread of an automobile tire showing my design;

FIG. 2 is a front view thereof;

FIG. 3 is a top view thereof;

FIG. 4 is a right side view thereof;

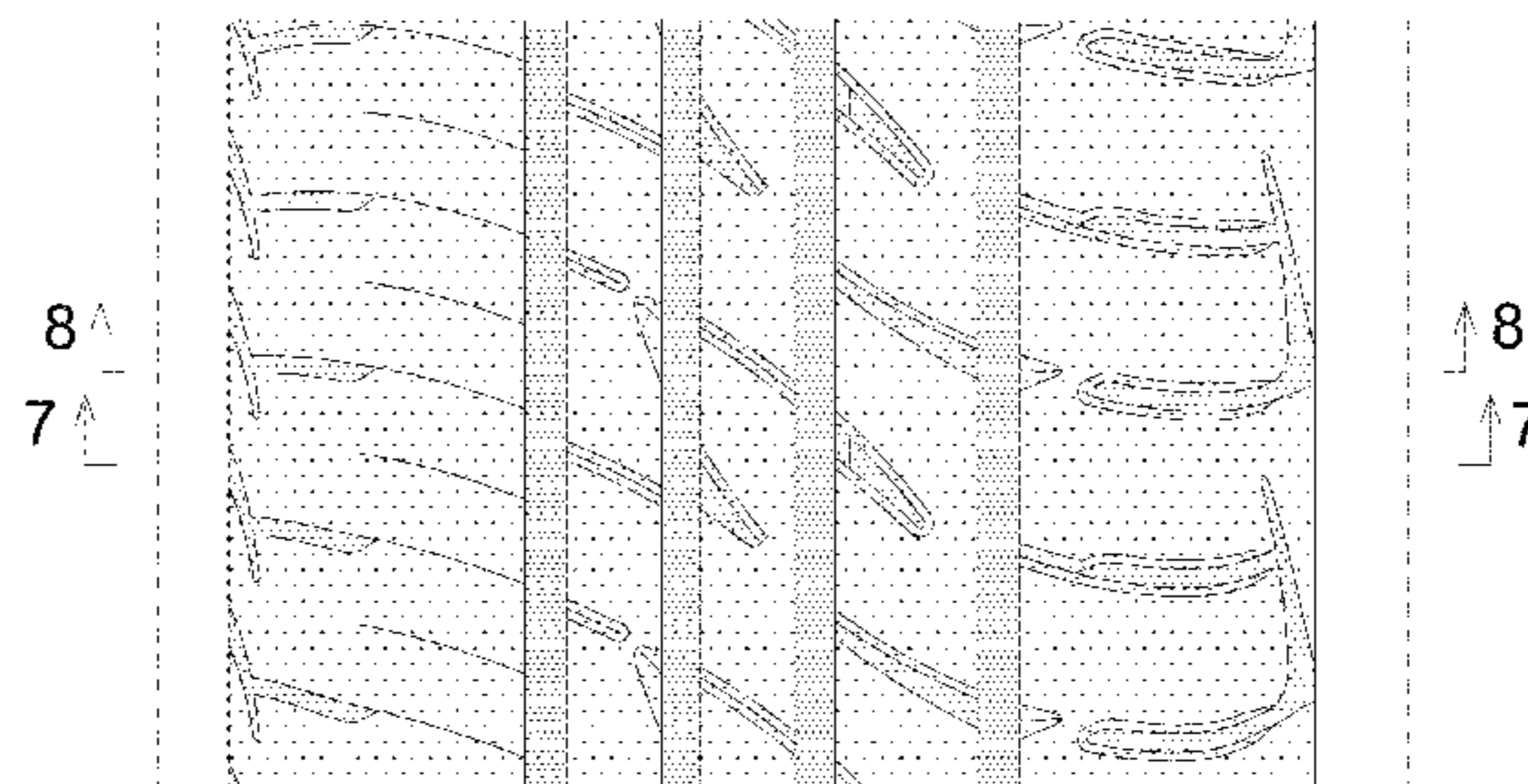
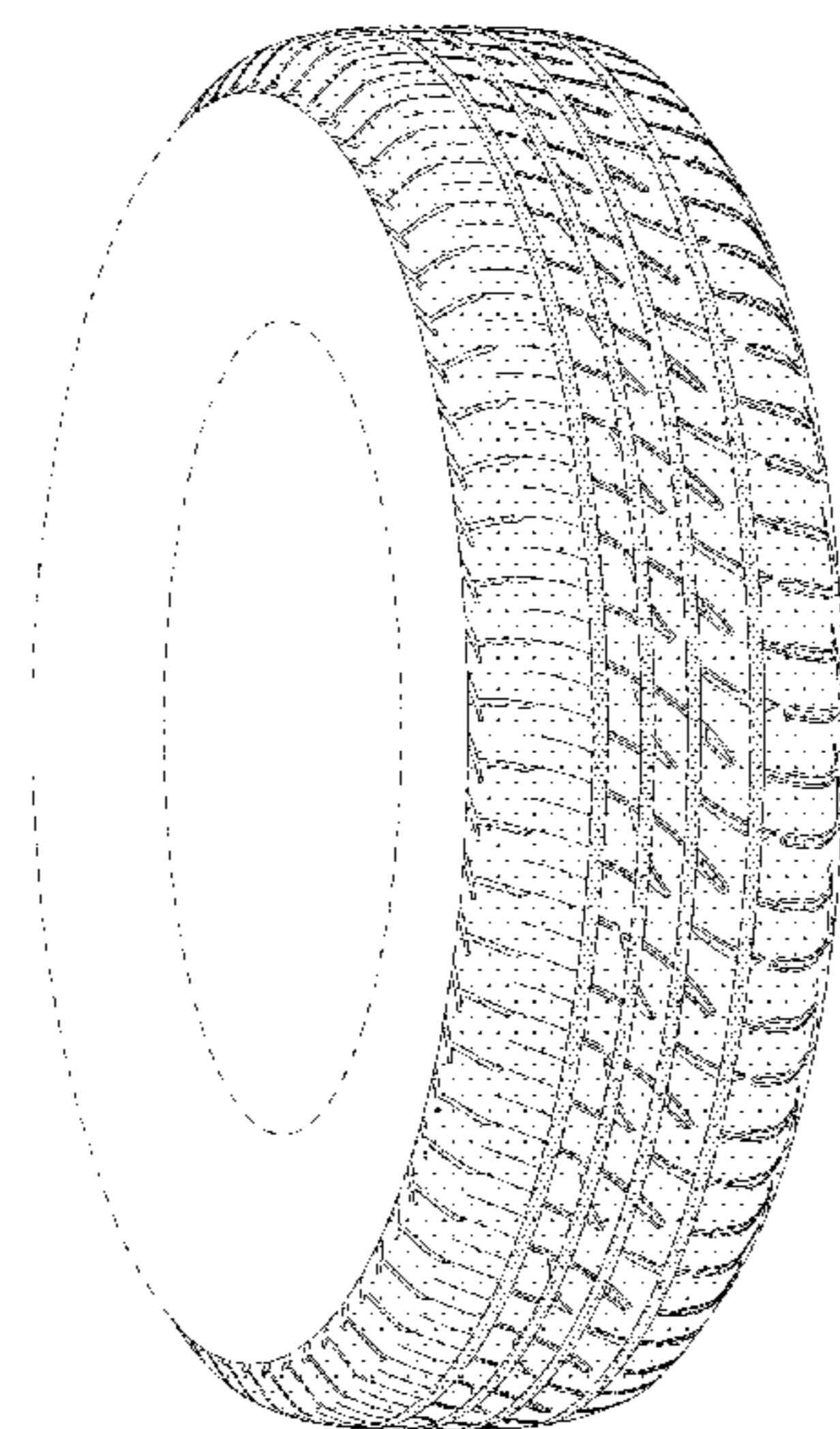
FIG. 5 is a left side view thereof;

FIG. 6 is a fragmentary enlarged front view showing the details of the tread thereof;

FIG. 7 is a section view taken along line 7-7 in FIG. 6; and, FIG. 8 is a section view taken along line 8-8 in FIG. 6.

The broken lines in the drawings showing portions of the tire are included to illustrate environment and form no part of the claimed design.

1 Claim, 8 Drawing Sheets



(56)

References Cited

U.S. PATENT DOCUMENTS

D769,793 S * 10/2016 Haanketo D12/523
D771,553 S * 11/2016 Nagase D12/532
2017/0043627 A1* 2/2017 Shimura B60C 11/0304

OTHER PUBLICATIONS

Ohtsu Falken 205/50R16 91V FP7000, posted at OzzyTyres, posting date Nov. 28, 2012. [online], [site visited Dec. 1, 2016]. Available from Internet, <URL: <http://www.ozzytyres.com.au/falken-205-50r16-91v-fp7000.html>>.*

Continental—ExtremeContact DW, posted at Carid, review posting date Sep. 6, 2012. [online], [site visited Dec. 1, 2016]. Available from Internet, <URL: <https://www.carid.com/continental-tires/extremecontact-dw-479135.html#reviews>>.*

Goodyear Eagle F1 Asymmetric 2, posted at Goodyear, posting date not available. [online], [site visited Dec. 1, 2016]. Available from Internet, <URL: <http://www.1010tires.com/Tires/Reviews/Goodyear/Eagle+F1+Asymmetric+2?px=2>>.*

* cited by examiner

FIG. 1

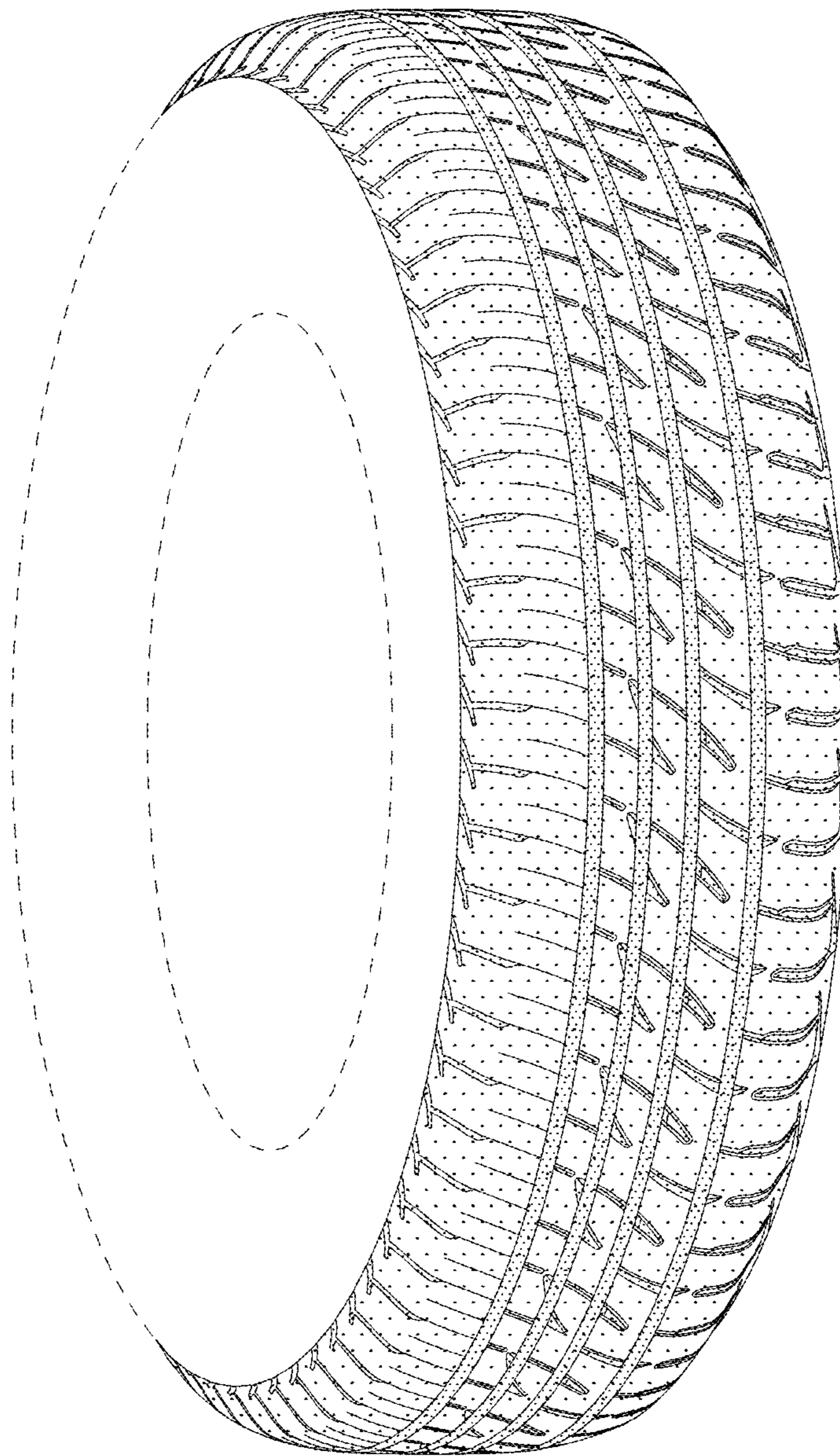


FIG. 2

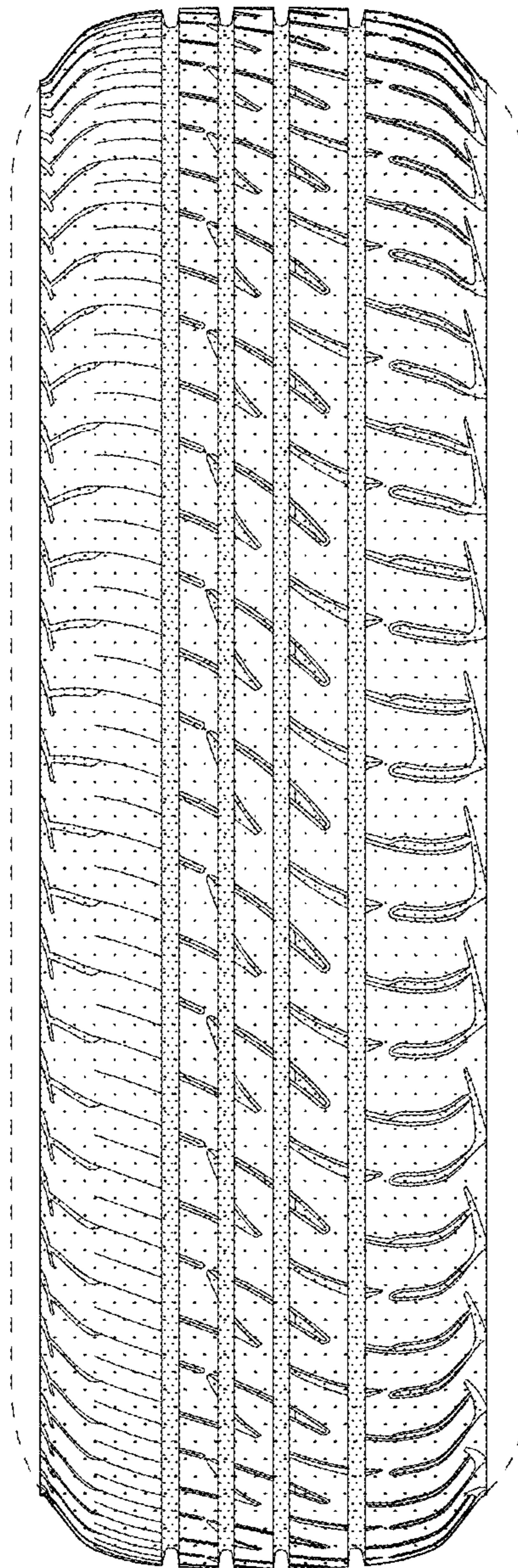


FIG. 3

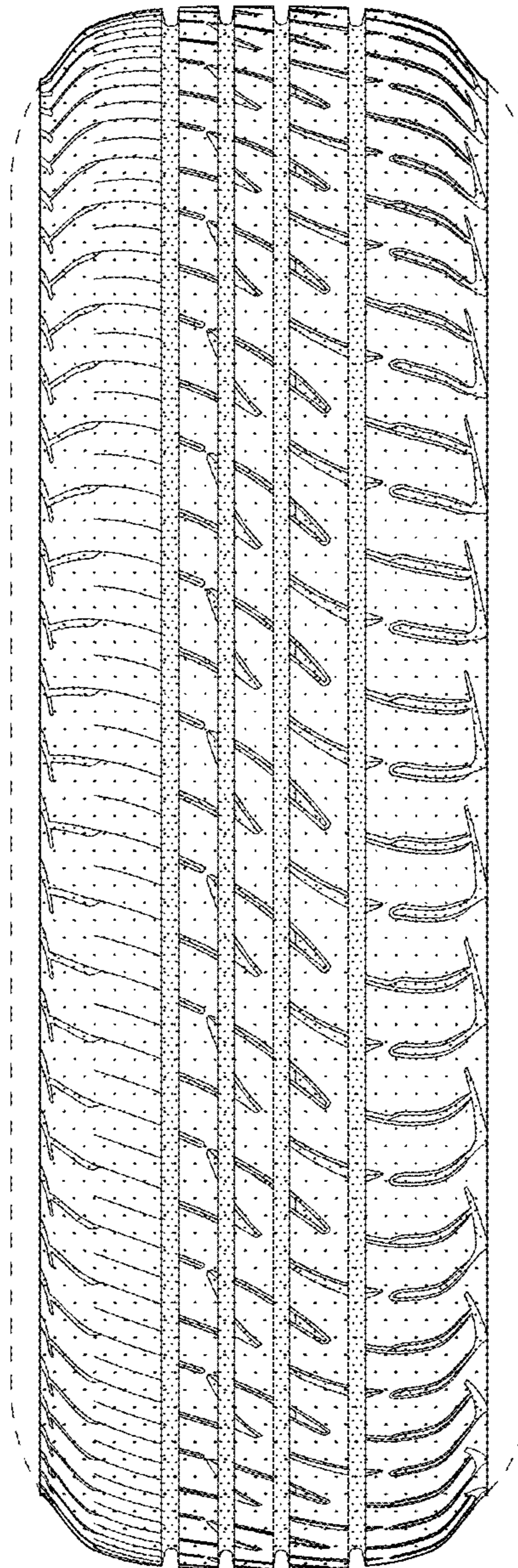


FIG. 4

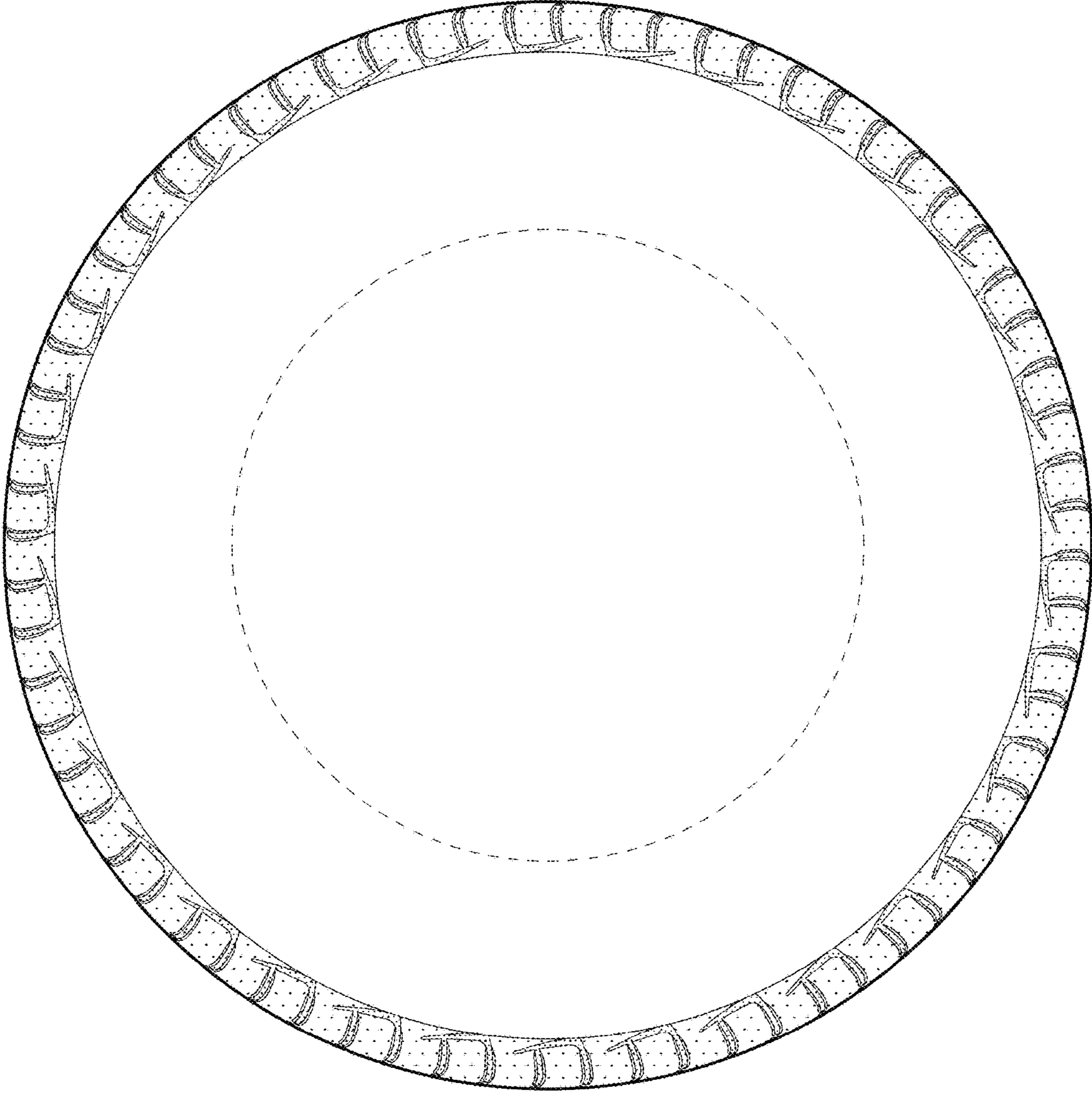


FIG. 5

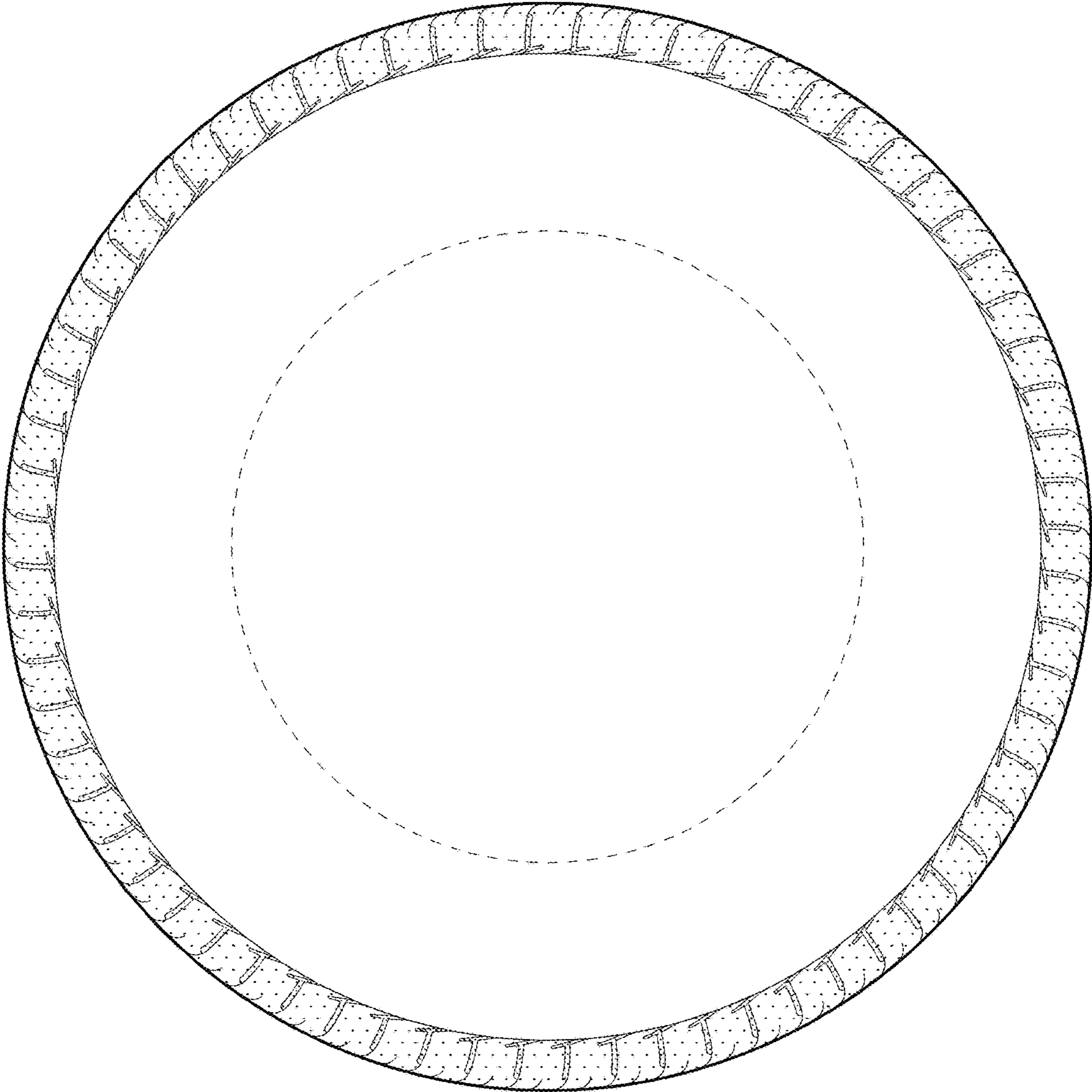


FIG. 6

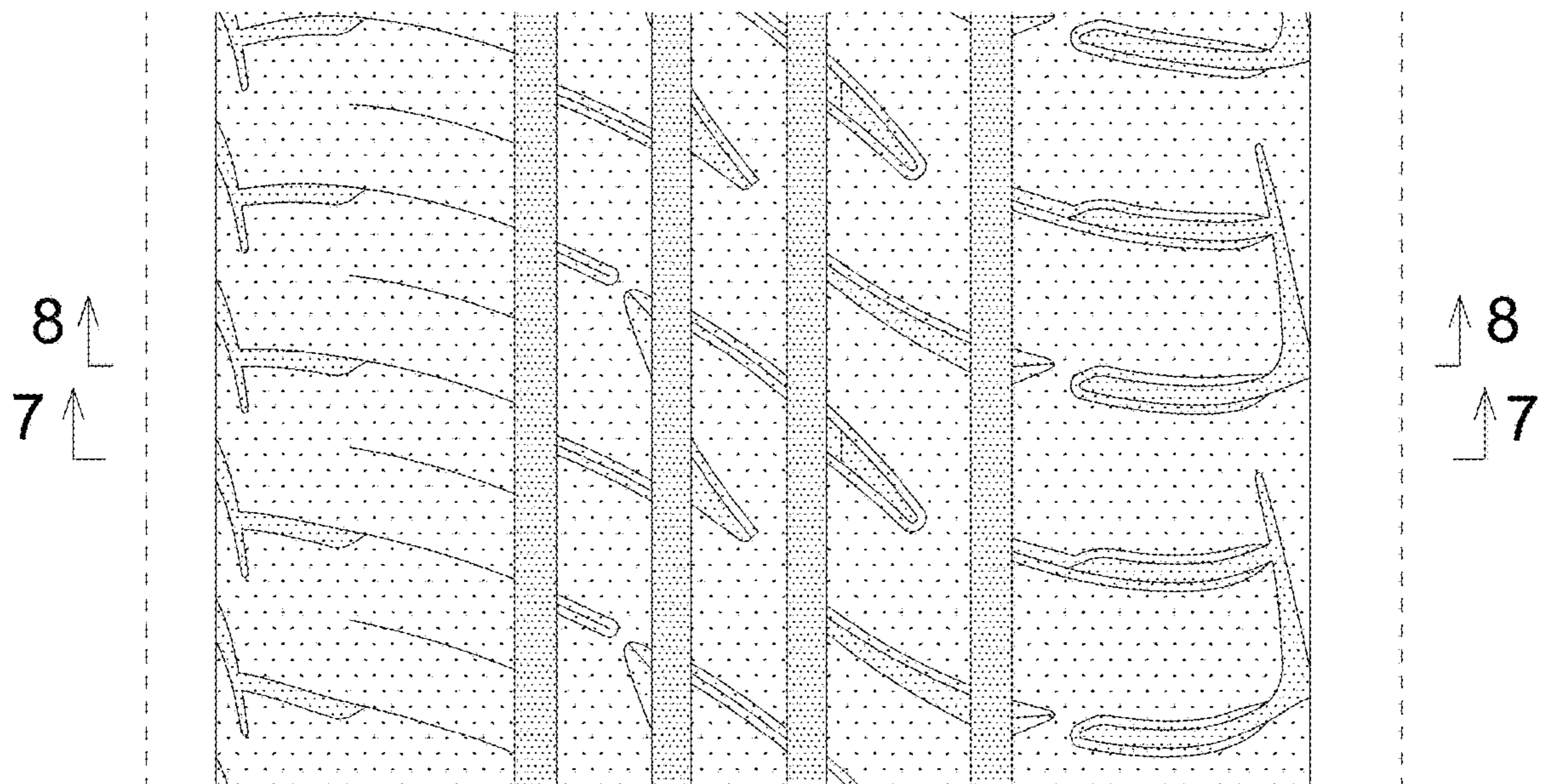


FIG. 7

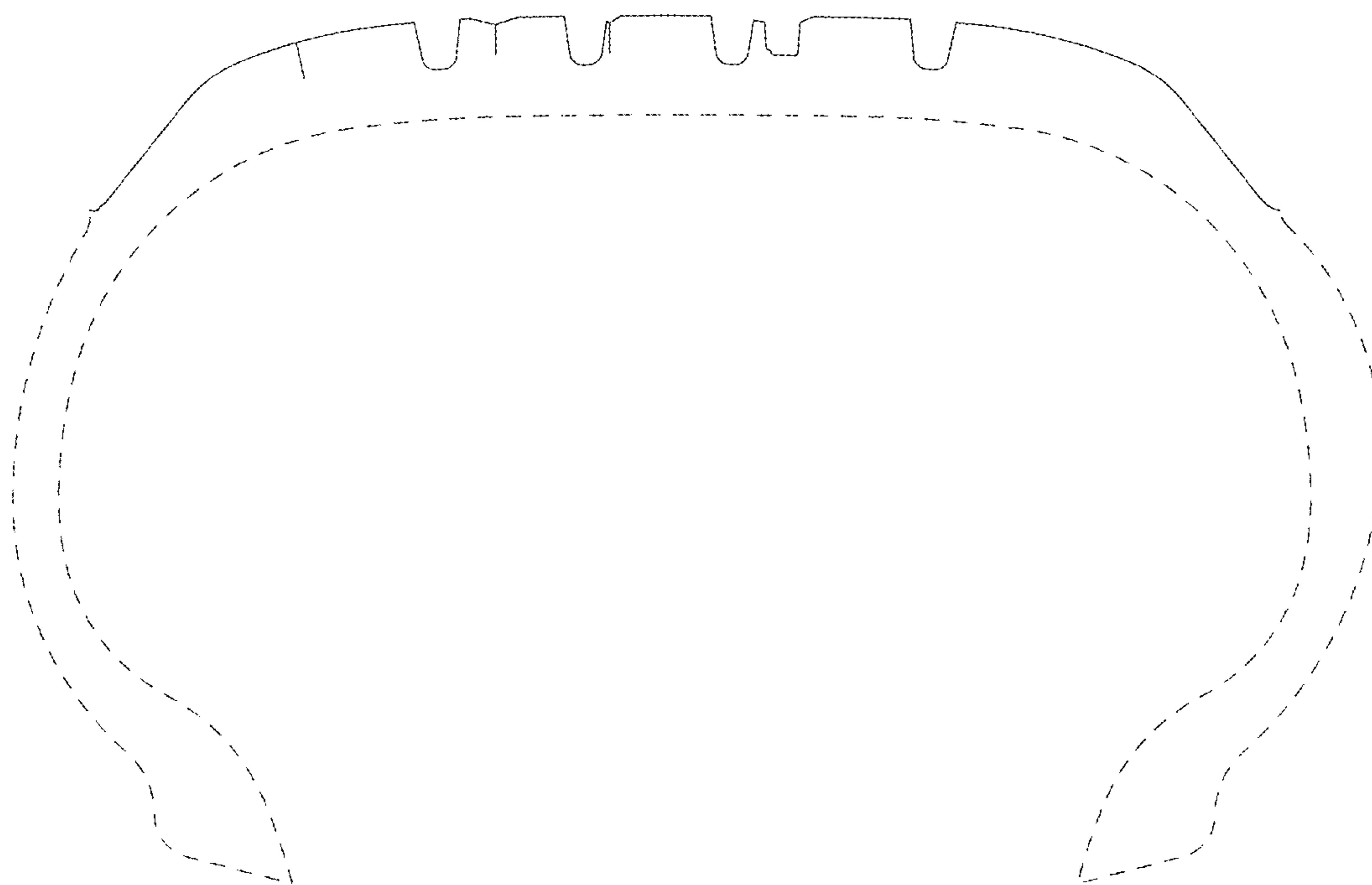


FIG. 8

