



US00D792317S

(12) **United States Design Patent**  
**Chung**

(10) **Patent No.:** **US D792,317 S**

(45) **Date of Patent:** **\*\* Jul. 18, 2017**

(54) **SPOKE INSERT FOR WHEEL RIM**

(71) Applicant: **Wheel Pros, LLC**, Greenwood Village, CO (US)

(72) Inventor: **Suny Chung**, Anaheim, CA (US)

(\*\*) Term: **15 Years**

(21) Appl. No.: **29/577,334**

(22) Filed: **Sep. 12, 2016**

(51) **LOC (10) Cl.** ..... **12-16**

(52) **U.S. Cl.**  
USPC ..... **D12/213**

(58) **Field of Classification Search**  
USPC ..... D12/204–213  
CPC .... B60B 7/00; B60B 7/02; B60B 7/04; B60B 7/01; B60B 7/06; B60B 3/02; B60B 3/04; B60B 3/06; B60B 3/10; B60B 1/00; B60B 1/08; B60B 1/10; B60B 1/12  
See application file for complete search history.

D569,777 S	5/2008	Chung	
D576,936 S	9/2008	Imai	
D578,457 S	10/2008	Guidry	
D598,357 S	8/2009	Chung	
D638,767 S	5/2011	Groom	
D669,009 S	10/2012	Chung	
D669,412 S	* 10/2012	Le Grice	D12/213
D695,193 S	12/2013	Kong	
D698,298 S	1/2014	Cortes	
D698,300 S	1/2014	Chung	
D708,114 S	* 7/2014	Hodges	D12/213
D711,304 S	8/2014	Chung	
D712,333 S	* 9/2014	Chung	D12/211
D715,211 S	10/2014	Gotschke	
D726,628 S	4/2015	Kong	
D747,253 S	* 1/2016	Chung	D12/211
D755,697 S	* 5/2016	Tirado	D12/209
D755,698 S	* 5/2016	Tirado	D12/209
D786,167 S	* 5/2017	Chung	D12/213
D786,168 S	* 5/2017	Chung	D12/213

\* cited by examiner

*Primary Examiner* — Stacia Cadmus

(74) *Attorney, Agent, or Firm* — Eric Hanscom; Todd J. Langford

(56) **References Cited**

**U.S. PATENT DOCUMENTS**

D273,102 S	3/1984	Woodward	
D291,796 S	9/1987	Reid	
D361,975 S	9/1995	Weld	
D408,775 S	4/1999	Shikado	
D453,724 S	2/2002	Hodges	
D455,698 S	4/2002	Chung	
D464,010 S	10/2002	Chung	
D467,212 S	12/2002	Noriega	
D478,542 S	8/2003	Sulahian	
D482,996 S	12/2003	Sulahian	
D492,925 S	7/2004	Fitzgerald	
D496,317 S	9/2004	Kataoka	
D503,669 S	* 4/2005	Bhambra	D12/211
D508,884 S	* 8/2005	Fridie	D12/209
D512,011 S	* 11/2005	Tirado	D12/213
D516,001 S	* 2/2006	Tirado	D12/209

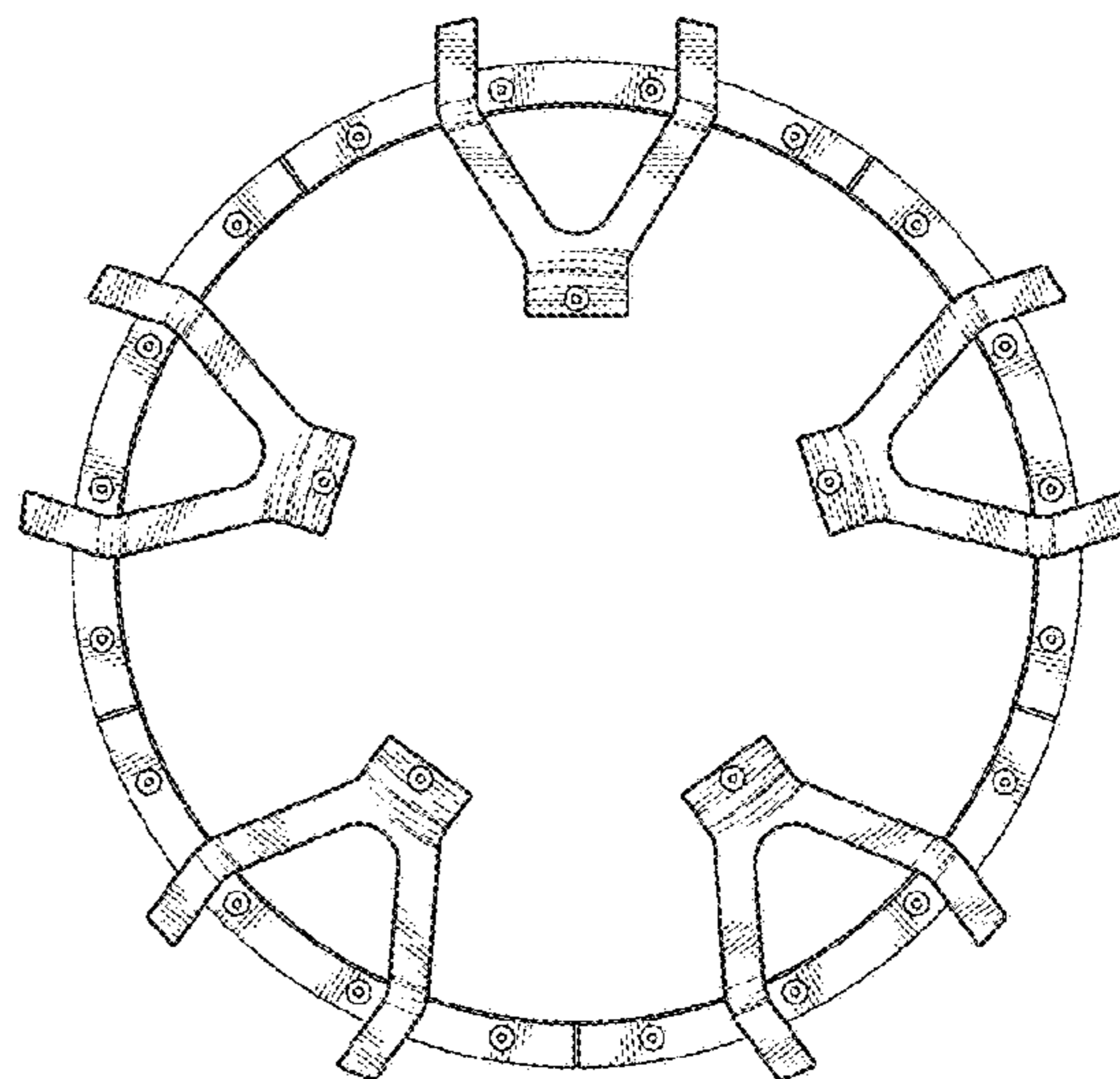
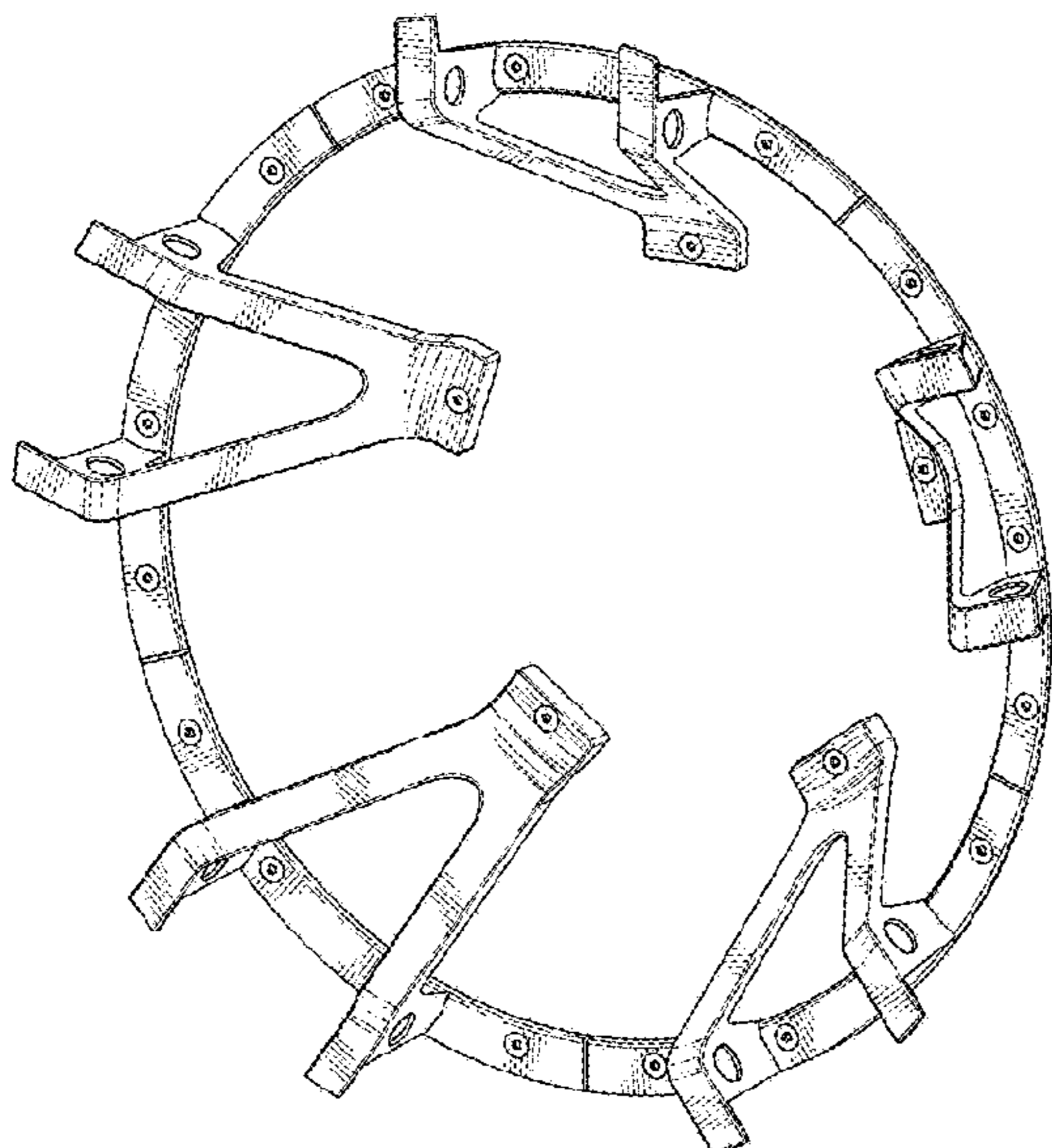
(57) **CLAIM**

The ornamental design for a spoke insert for wheel rim, as shown and described.

**DESCRIPTION**

FIG. 1 is a perspective view of a spoke insert for wheel rim showing my new design;  
FIG. 2 is a front view thereof;  
FIG. 3 is a back view thereof;  
FIG. 4 is a left-side view thereof;  
FIG. 5 is a right-side view thereof;  
FIG. 6 is a bottom view thereof; and,  
FIG. 7 is a top view thereof.

**1 Claim, 5 Drawing Sheets**



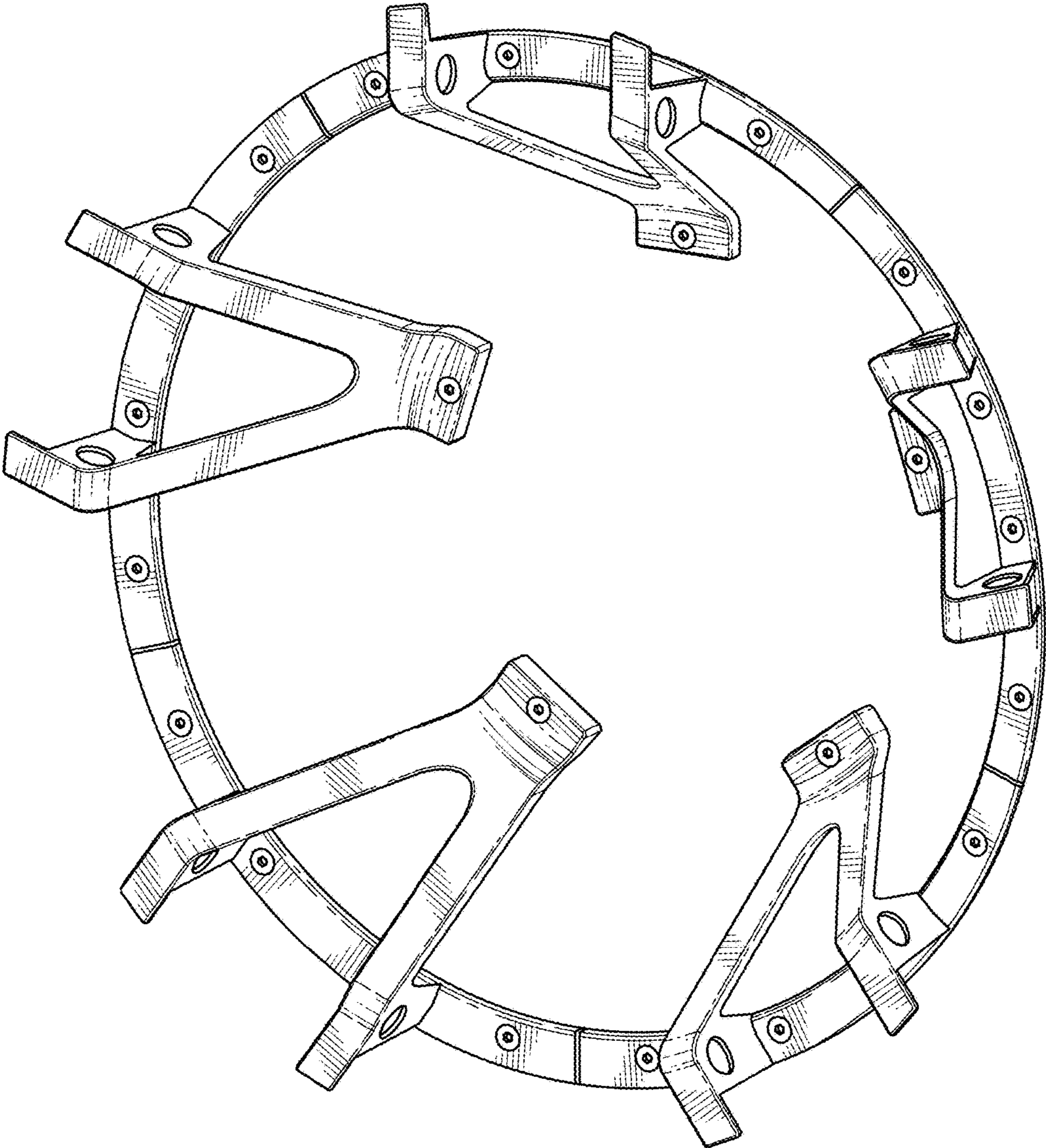


FIG. 1



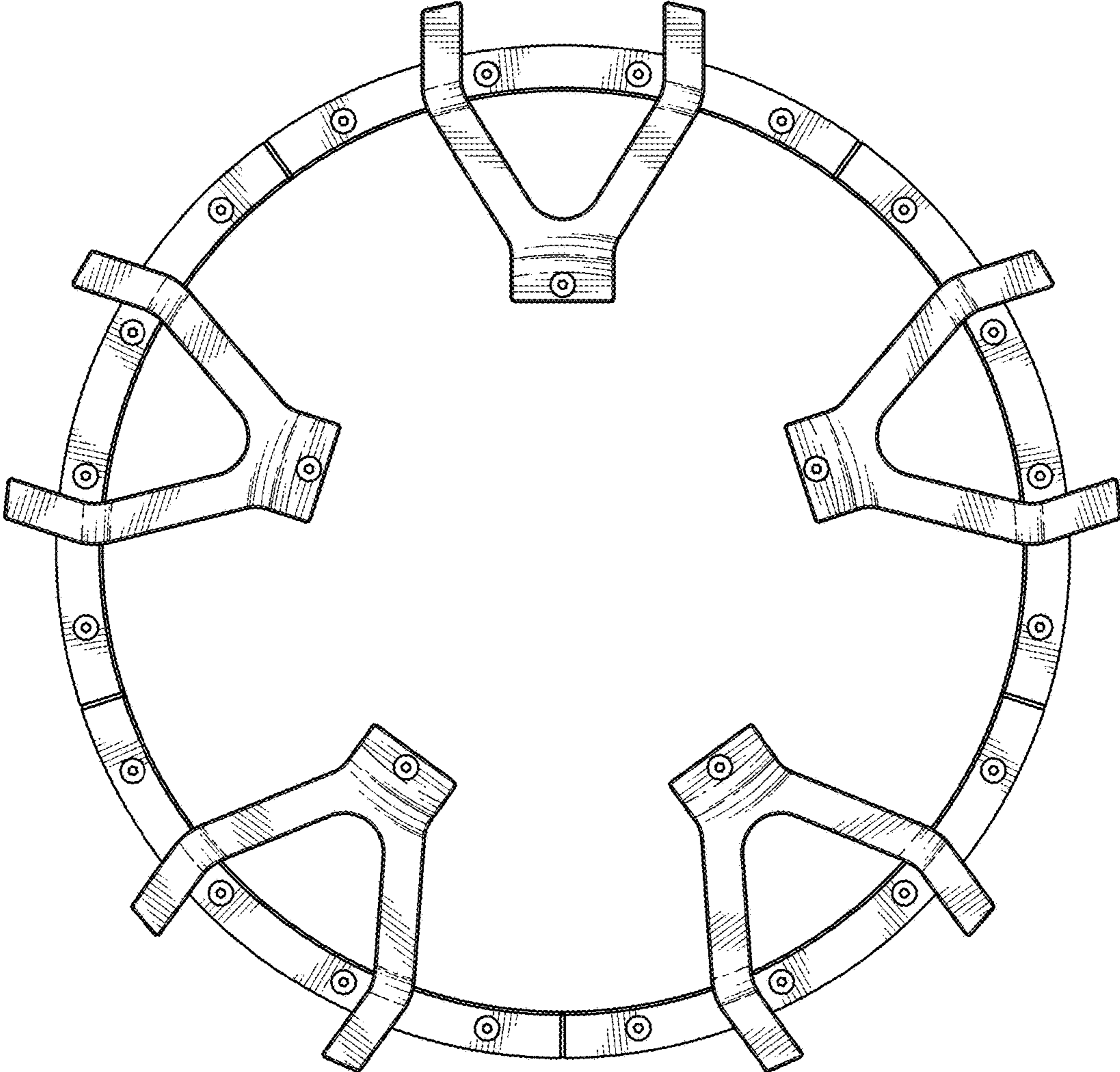


FIG. 2

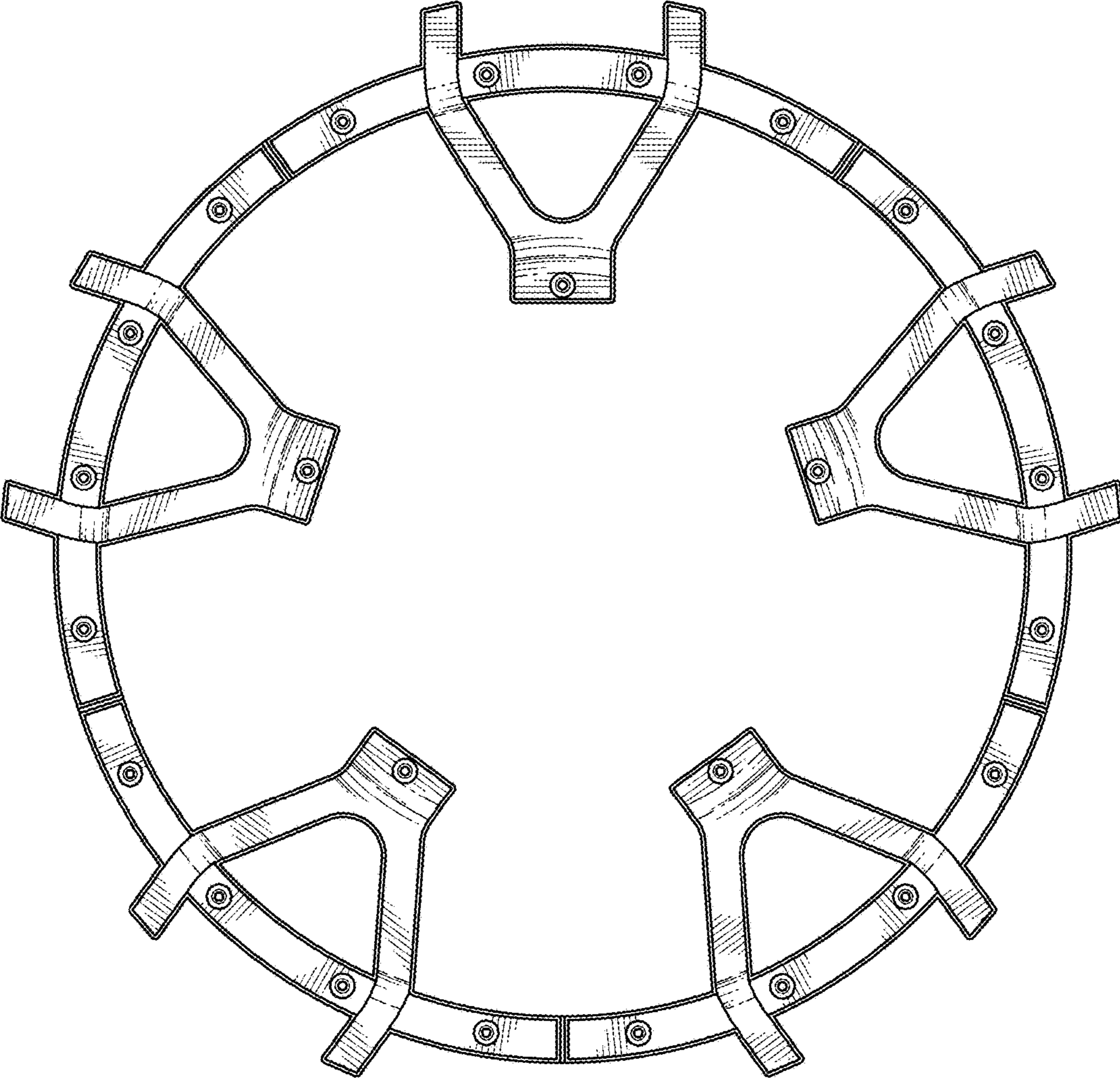


FIG. 3

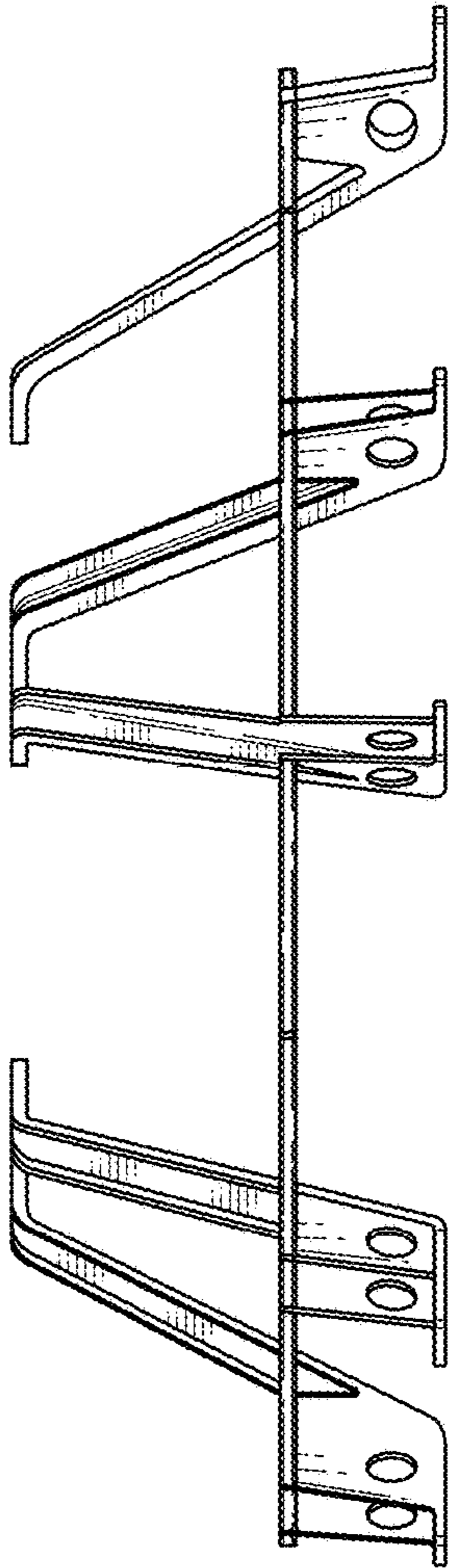


FIG. 4

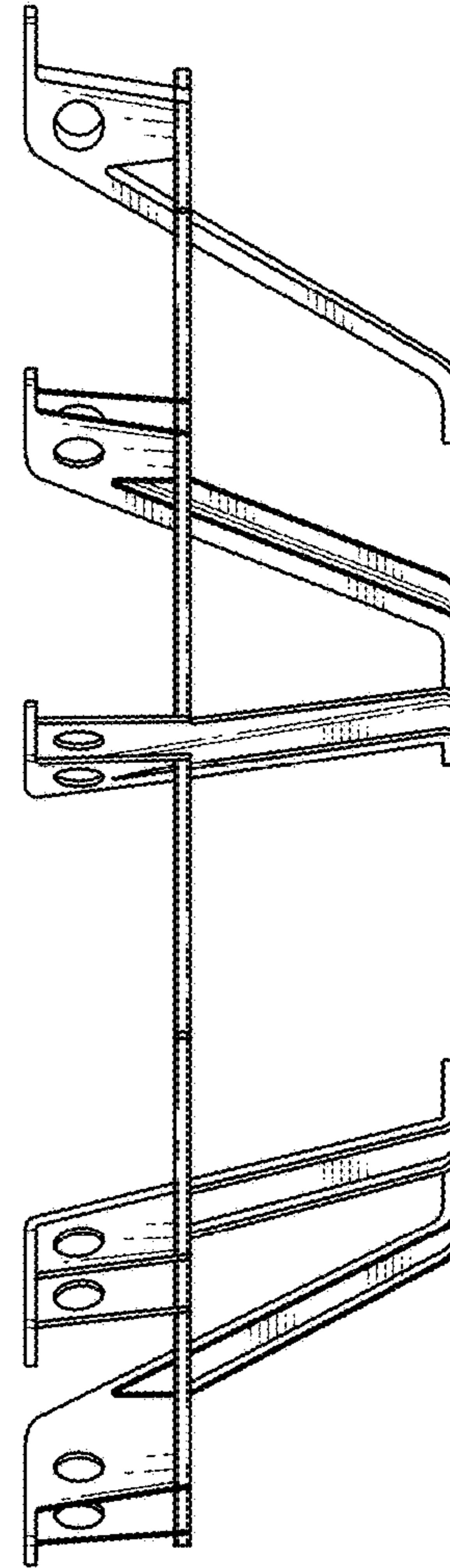


FIG. 5

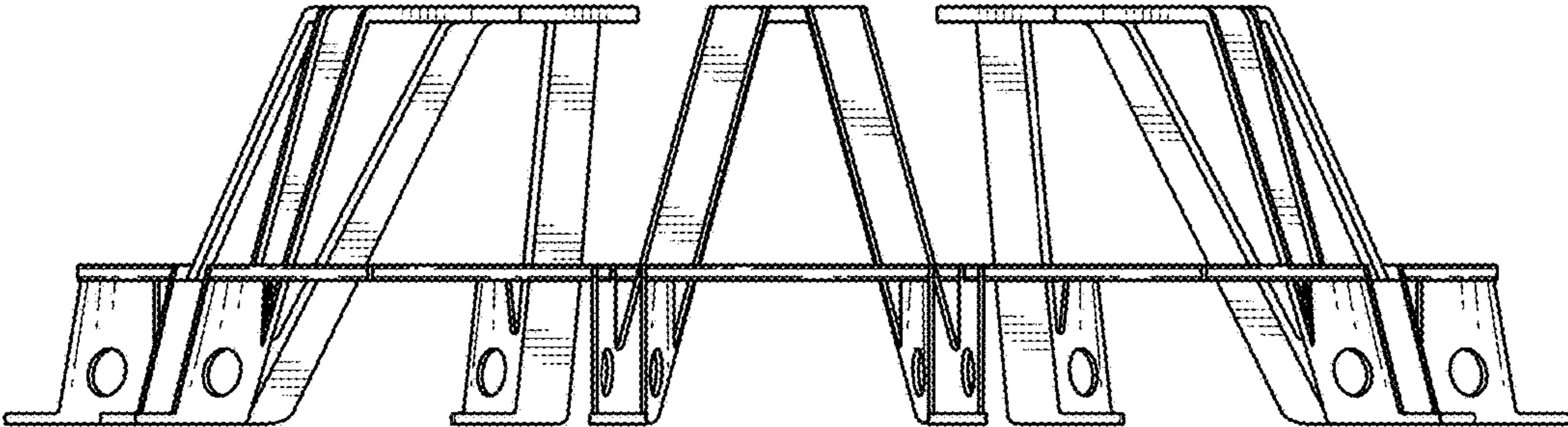


FIG. 6

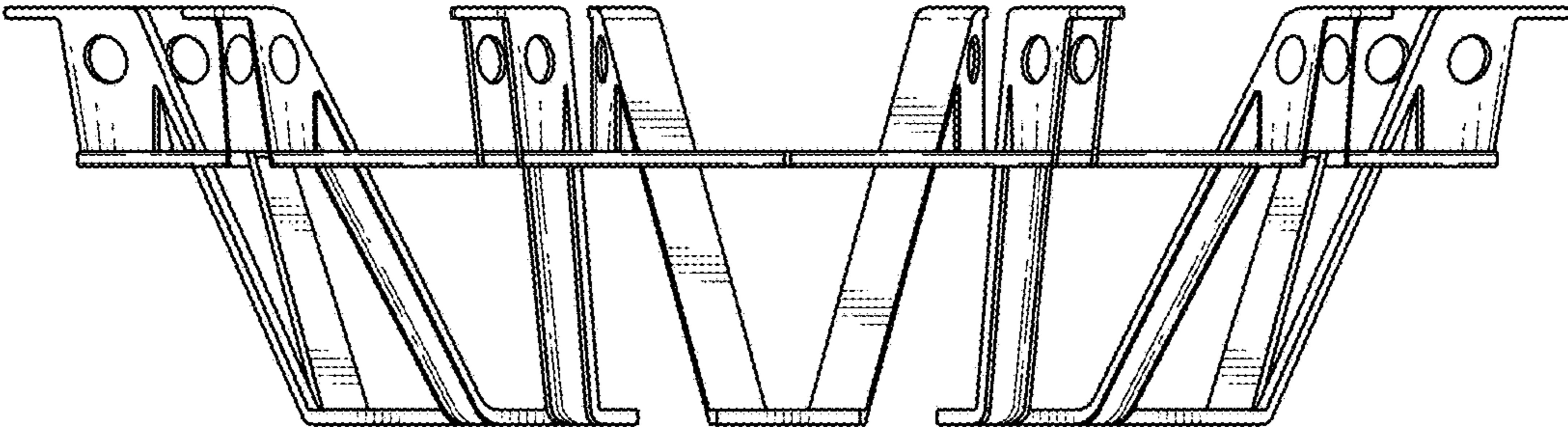


FIG. 7