



US00D792313S

(12) **United States Design Patent**
Langhals et al.

(10) **Patent No.:** **US D792,313 S**
(45) **Date of Patent:** **** Jul. 18, 2017**

(54) **AUTOMOBILE WHEEL**

(71) Applicants: **Taylor A Langhals**, Waterford, MI (US); **Brian H Nielander**, Royal Oak, MI (US)

(72) Inventors: **Taylor A Langhals**, Waterford, MI (US); **Brian H Nielander**, Royal Oak, MI (US)

(73) Assignee: **FCA US LLC**, Auburn Hills, MI (US)

(**) Term: **15 Years**

(21) Appl. No.: **29/565,408**

(22) Filed: **May 20, 2016**

(51) **LOC (10) Cl.** **12-16**

(52) **U.S. Cl.**
USPC **D12/211**

(58) **Field of Classification Search**
USPC D12/204–213
CPC B60B 7/00; B60B 7/02; B60B 7/04; B60B 7/01; B60B 7/06; B60B 3/02; B60B 3/04; B60B 3/06; B60B 3/10; B60B 1/00; B60B 1/08; B60B 1/10; B60B 1/12
See application file for complete search history.

(56) **References Cited**

U.S. PATENT DOCUMENTS

D286,278 S	*	10/1986	Sandberg	D12/211
D436,912 S	*	1/2001	Boyer	D12/211
D486,110 S	*	2/2004	Elmitt	D12/211
D507,225 S	*	7/2005	Velazco	D12/211

D535,934 S	*	1/2007	Scheu	D12/211
D551,150 S	*	9/2007	Hueller	D12/211
D553,067 S	*	10/2007	Muzzarelli	D12/211
D560,152 S	*	1/2008	Nordmann	D12/211
D579,847 S	*	11/2008	Hieke	D12/211
D586,281 S	*	2/2009	Pfeiffer	D12/209
D589,426 S	*	3/2009	Yoon	D12/211
D593,477 S	*	6/2009	Chen	D12/211
D604,223 S	*	11/2009	Dilber	D12/211
D620,868 S	*	8/2010	Gallert	D12/211
D623,110 S	*	9/2010	Juergens	D12/209
D641,301 S	*	7/2011	Hilpert	D12/211
D664,910 S	*	8/2012	Gallert	D12/211
D666,546 S	*	9/2012	Juergens	D12/209
D744,399 S	*	12/2015	Juergens	D12/209
D754,049 S	*	4/2016	Valencia Pollex	D12/209
D766,806 S	*	9/2016	Tannen	D12/211
D772,133 S	*	11/2016	Stone	D12/211

* cited by examiner

Primary Examiner — Stacia Cadmus

(74) *Attorney, Agent, or Firm* — Ralph E Smith

(57) **CLAIM**

The ornamental design for an automobile wheel, as shown and described.

DESCRIPTION

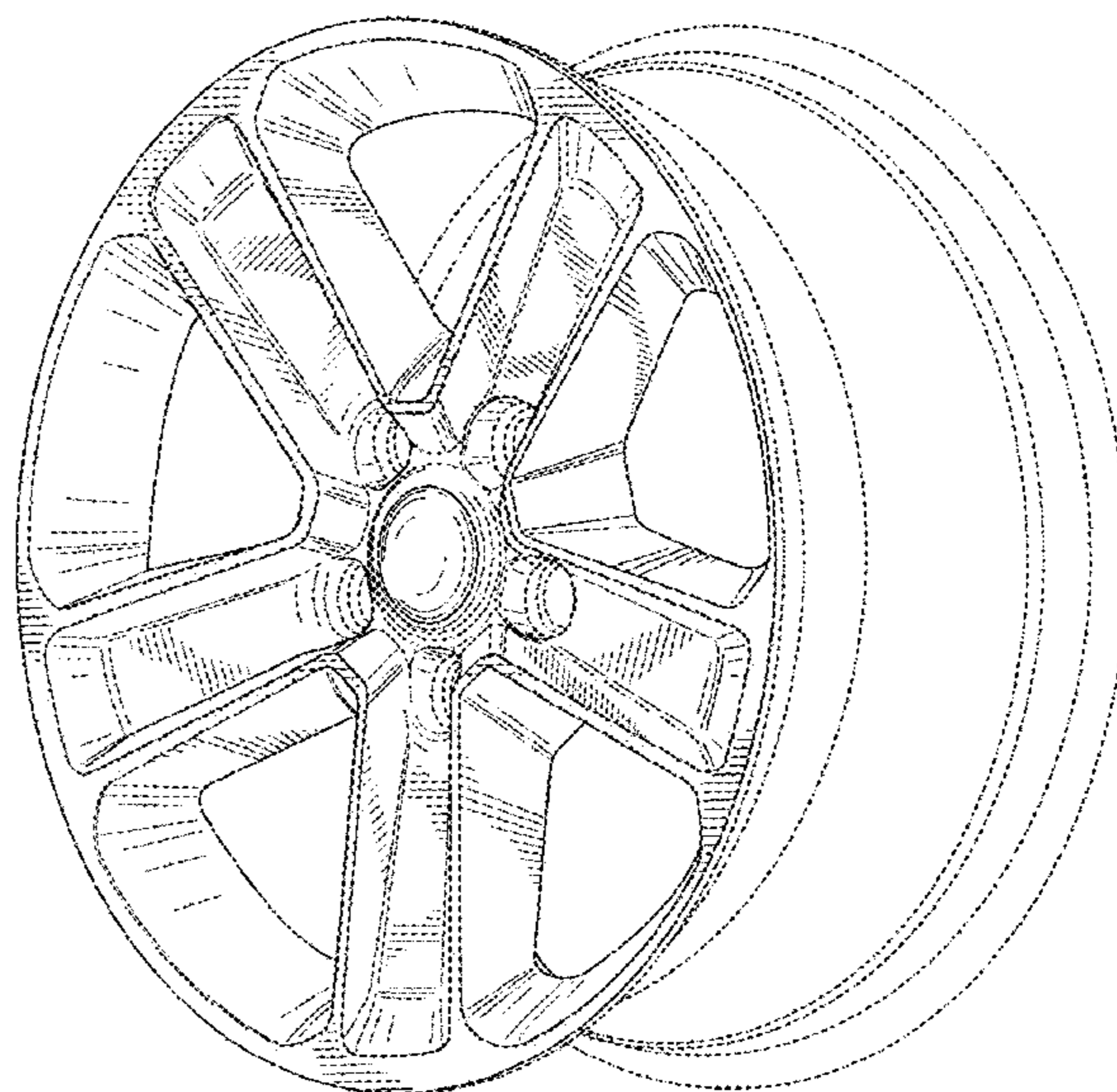
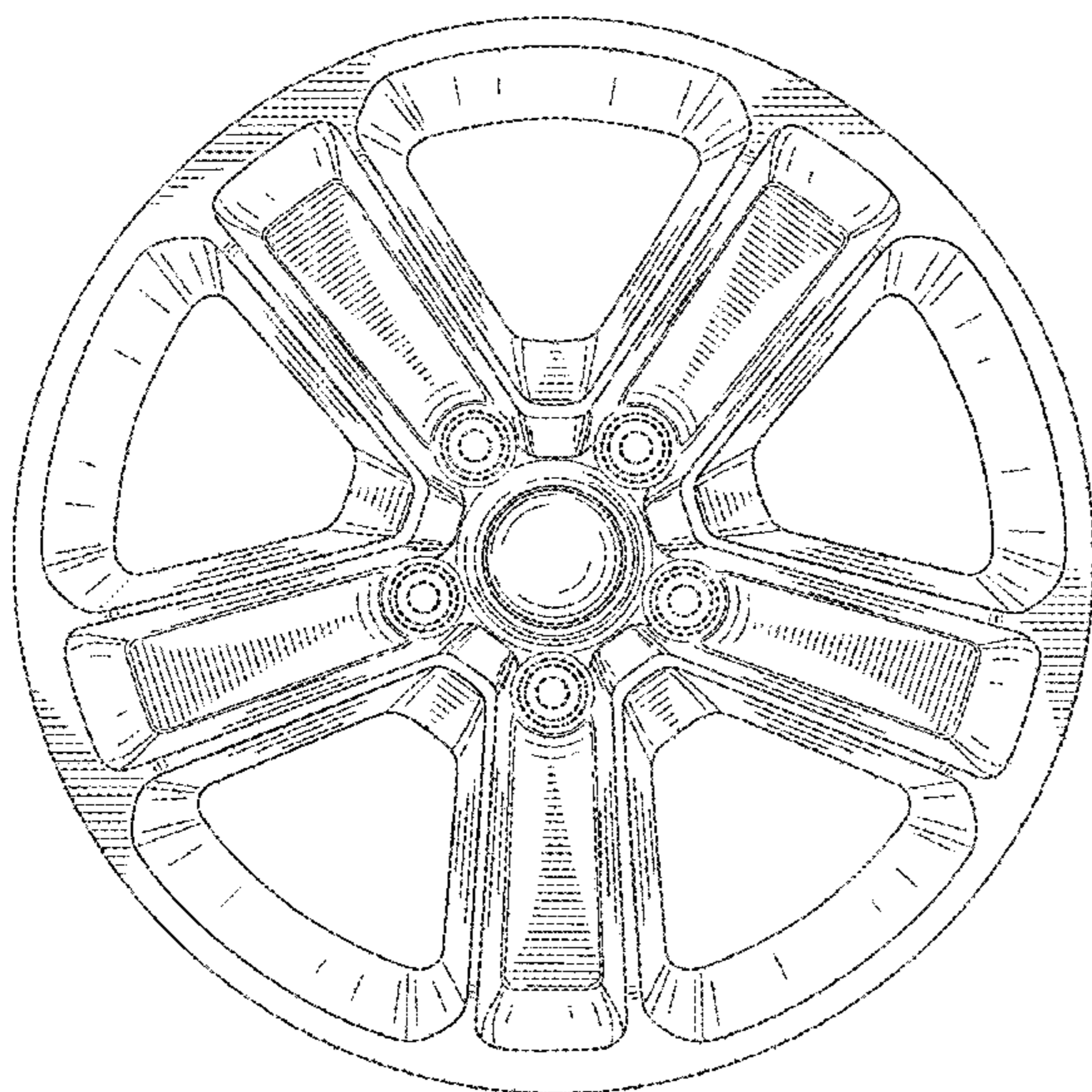
FIG. 1 is a front view of an automobile wheel showing our new design;

FIG. 2 is a right side perspective view thereof; and,

FIG. 3 is a left side perspective view.

It will be understood that the broken lines shown in the drawings illustrate portions of the automobile wheel that form no part of claimed design.

1 Claim, 3 Drawing Sheets



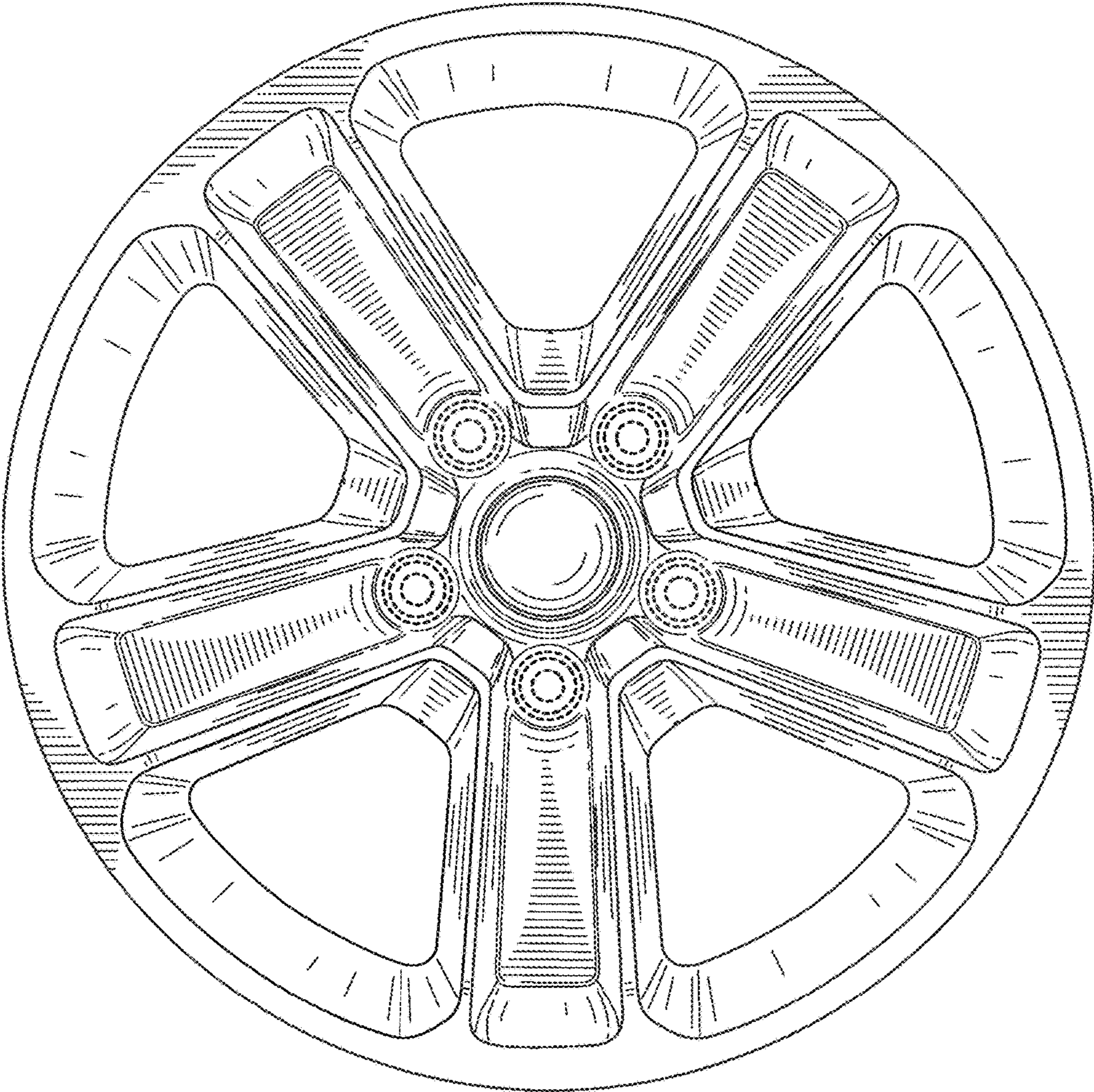


FIG. 1

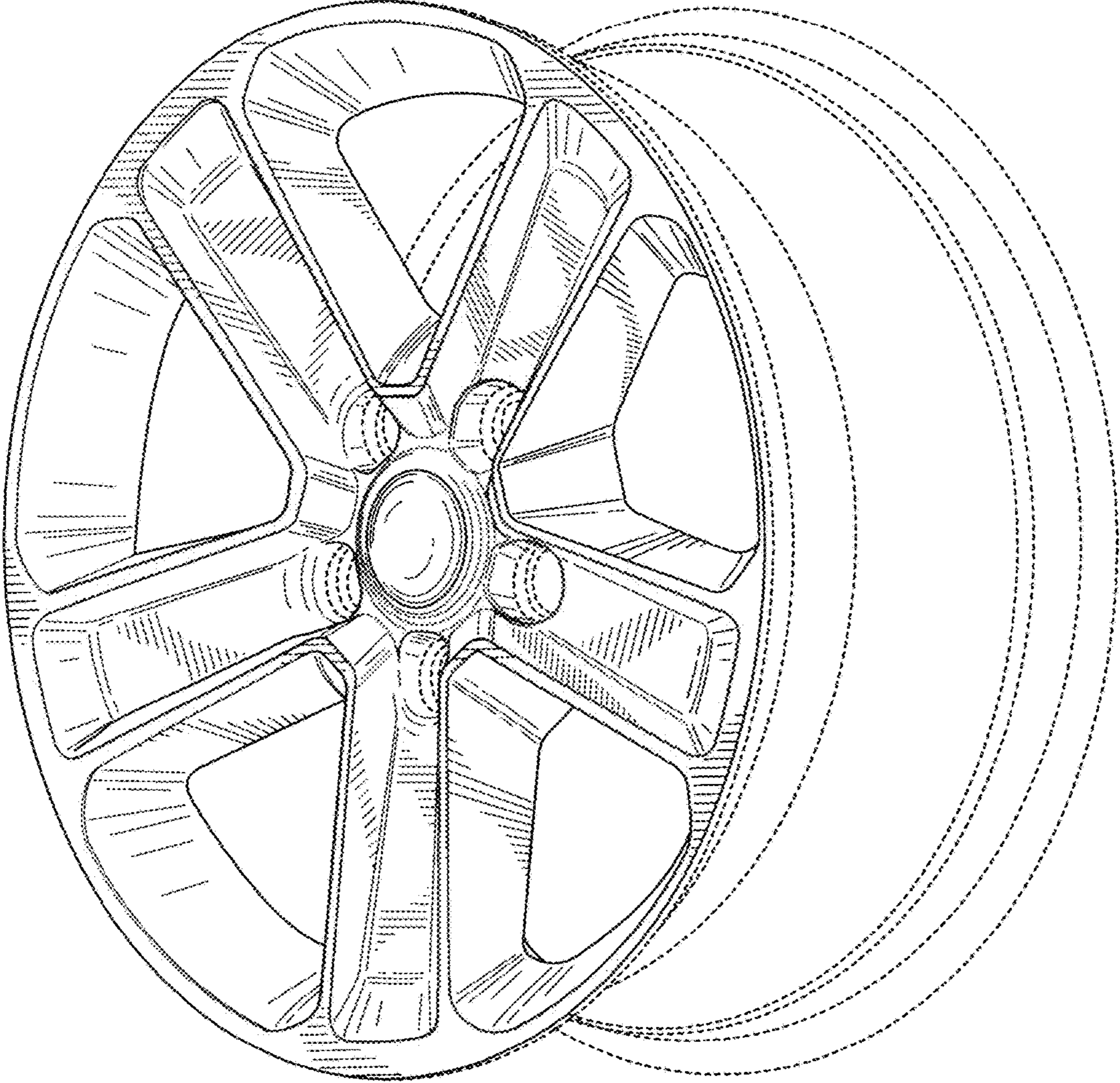


FIG. 2

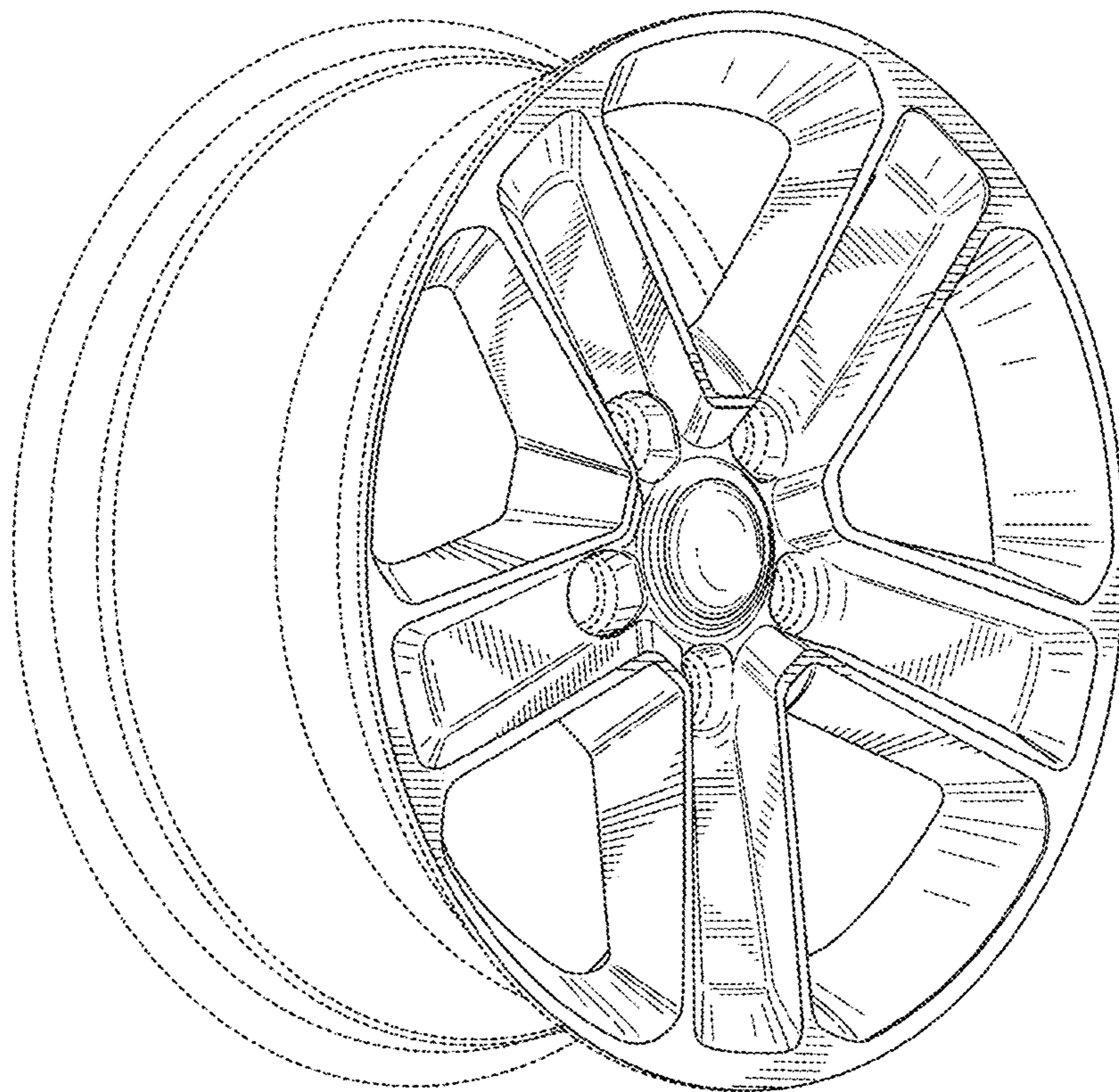


FIG. 3