



US00D792310S

(12) **United States Design Patent**  
**Burki et al.**

(10) **Patent No.:** **US D792,310 S**  
(45) **Date of Patent:** **\*\* Jul. 18, 2017**

(54) **WHEEL FOR A MOTOR VEHICLE, TOY AND/OR REPLICA**

(71) Applicant: **Dr. Ing. h.c.F. Porsche Aktiengesellschaft, Stuttgart (DE)**

(72) Inventors: **Emiel Burki, Stuttgart (DE); Fabian Schmoelz, Pforzheim (DE)**

(73) Assignee: **Dr. Ing. h.c. F. Porsche Aktiengesellschaft (DE)**

(\*\*) Term: **15 Years**

(21) Appl. No.: **29/545,905**

(22) Filed: **Nov. 17, 2015**

(30) **Foreign Application Priority Data**

Jun. 29, 2015 (DE) ..... 40 2015 100 594

(51) **LOC (10) Cl.** ..... **12-16**

(52) **U.S. Cl.**  
USPC ..... **D12/211**

(58) **Field of Classification Search**  
USPC ..... D12/204–213  
CPC .... B60B 7/00; B60B 7/01; B60B 7/02; B60B 7/04; B60B 7/06; B60B 3/02; B60B 3/04; B60B 3/06; B60B 3/10; B60B 1/00; B60B 1/08; B60B 1/10; B60B 1/12  
See application file for complete search history.

(56) **References Cited**

**U.S. PATENT DOCUMENTS**

29,546 A \* 8/1860 Hendry ..... B60B 1/00  
301/81  
D531,951 S \* 11/2006 Khan ..... D12/211

D620,874 S \* 8/2010 Zhao ..... D12/211  
D633,848 S \* 3/2011 Johnson ..... D12/211  
D659,066 S \* 5/2012 Johnson ..... D12/209  
D706,192 S \* 6/2014 Chung ..... D12/209  
D751,480 S \* 3/2016 Chung ..... D12/209  
D752,498 S \* 3/2016 Zhao ..... D12/211  
D763,765 S \* 8/2016 Boyd ..... D12/211  
D763,767 S \* 8/2016 Alfonso ..... D12/211  
D765,573 S \* 9/2016 Johnson ..... D12/211

\* cited by examiner

*Primary Examiner* — Sandra Snapp  
*Assistant Examiner* — Katherine Glennon  
(74) *Attorney, Agent, or Firm* — Gerald E. Hespos; Michael J. Porco; Matthew T. Hespos

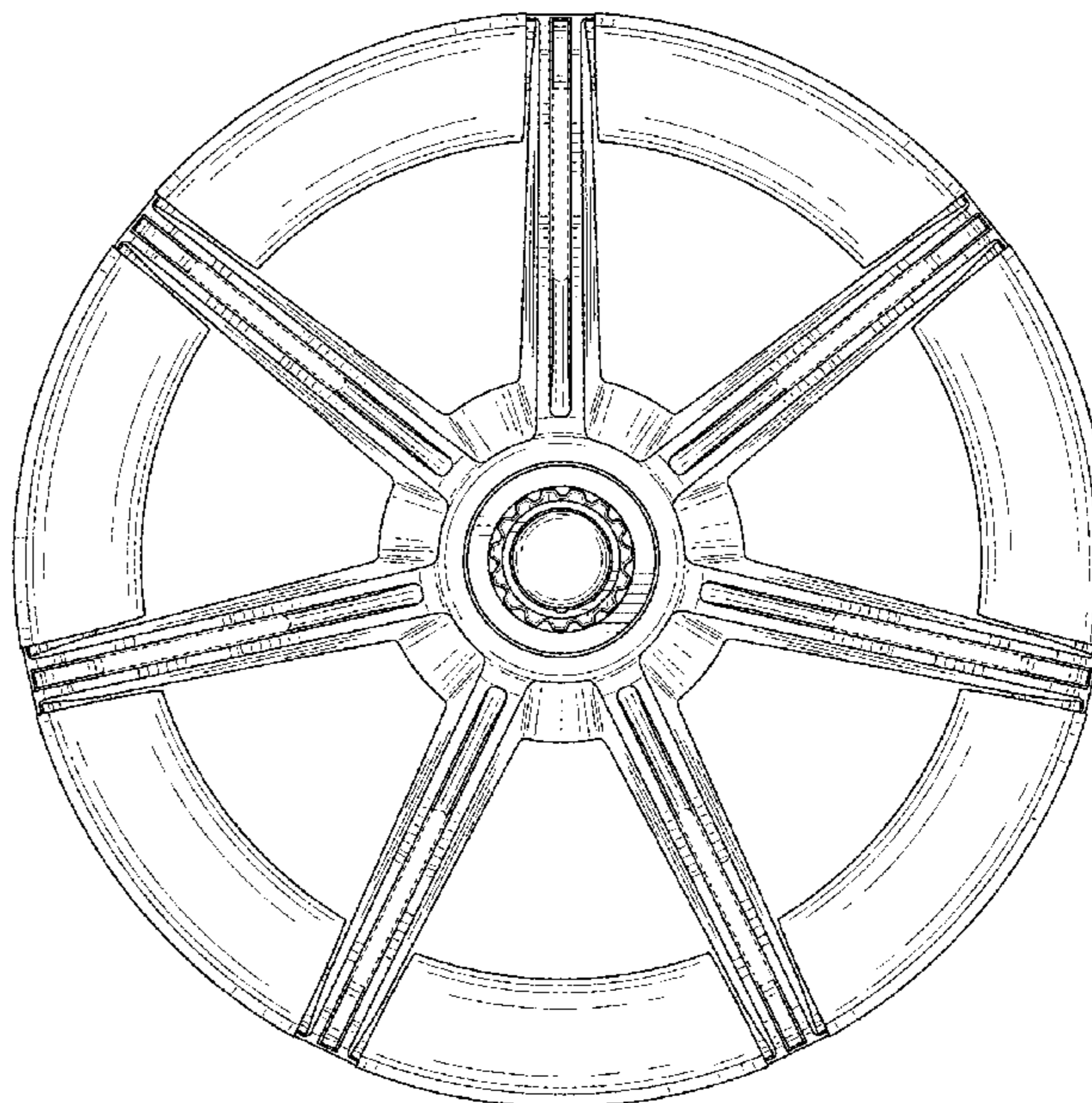
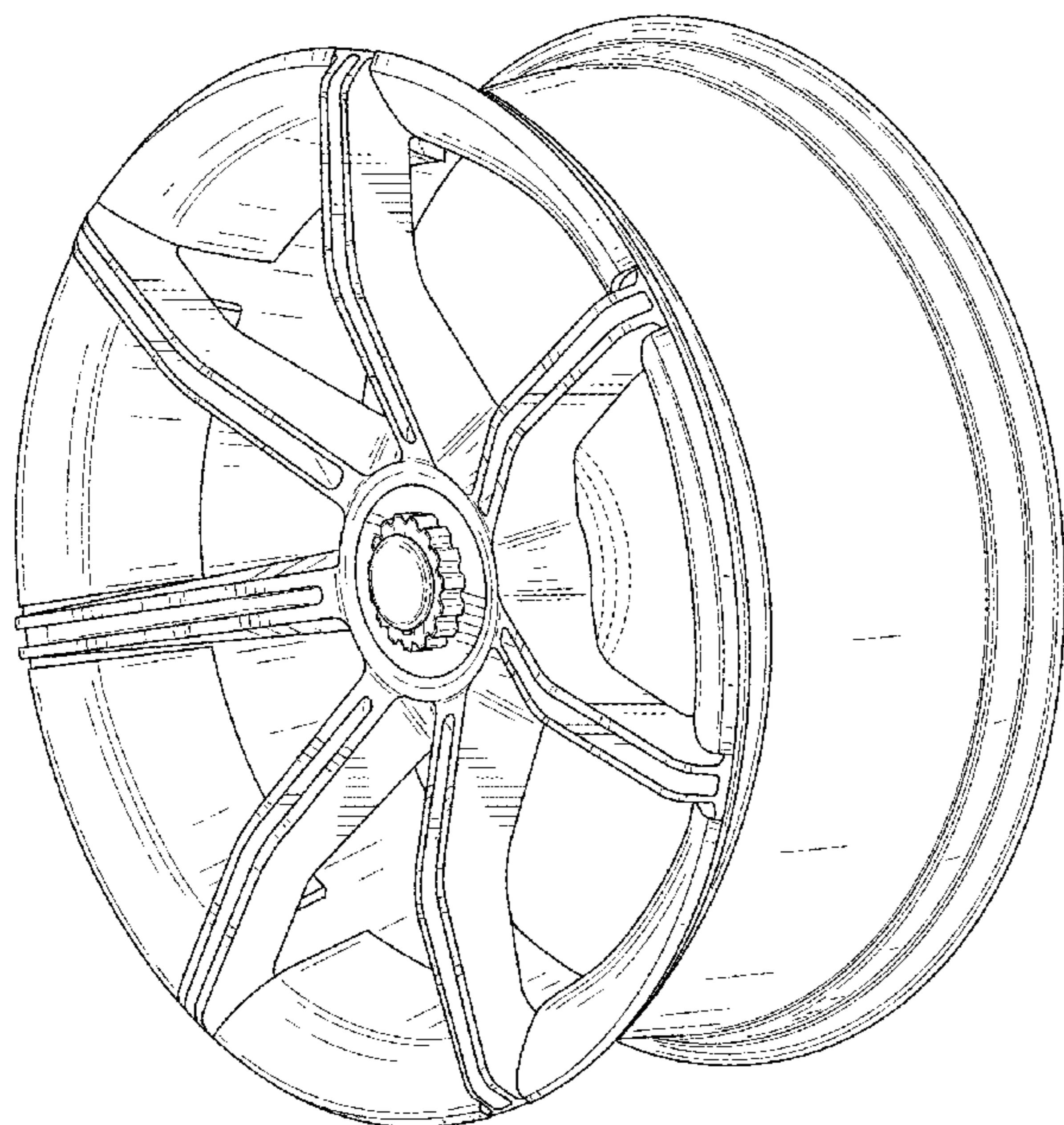
(57) **CLAIM**

The ornamental design of a wheel for a motor vehicle, toy and/or replica, as shown and described.

**DESCRIPTION**

FIG. 1 is a front and side perspective of a wheel for a motor vehicle, toy and/or replica in accordance with my design; FIG. 2 is a front elevational view thereof; FIG. 3 is a rear elevational view thereof; FIG. 4 is a side elevational view taken from the right side in FIG. 1; FIG. 5 is a side elevational view taken from the left side in FIG. 1; FIG. 6 is a top plan view thereof; and, FIG. 7 is a bottom plan view thereof.

**1 Claim, 7 Drawing Sheets**



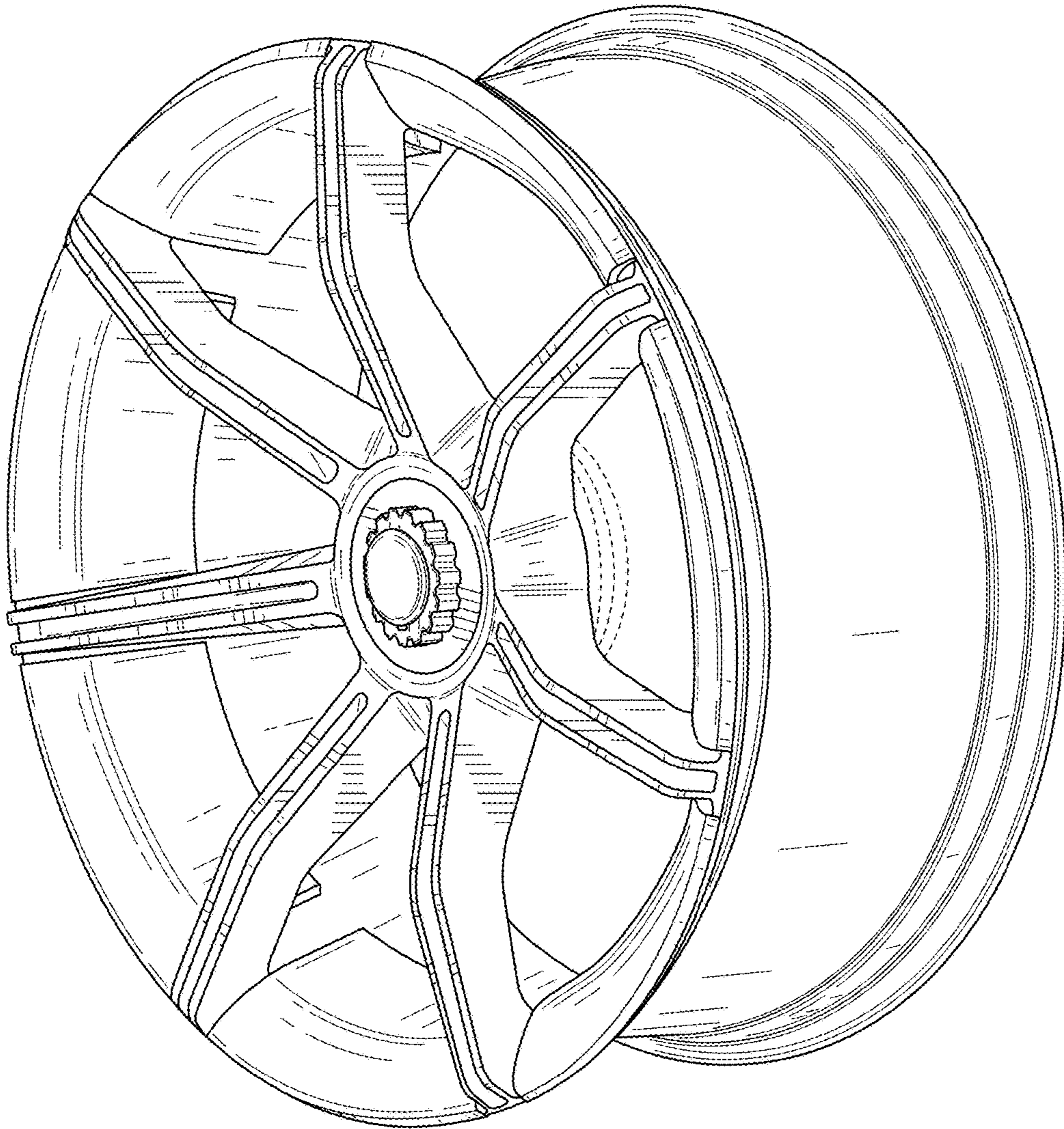


FIG. 1

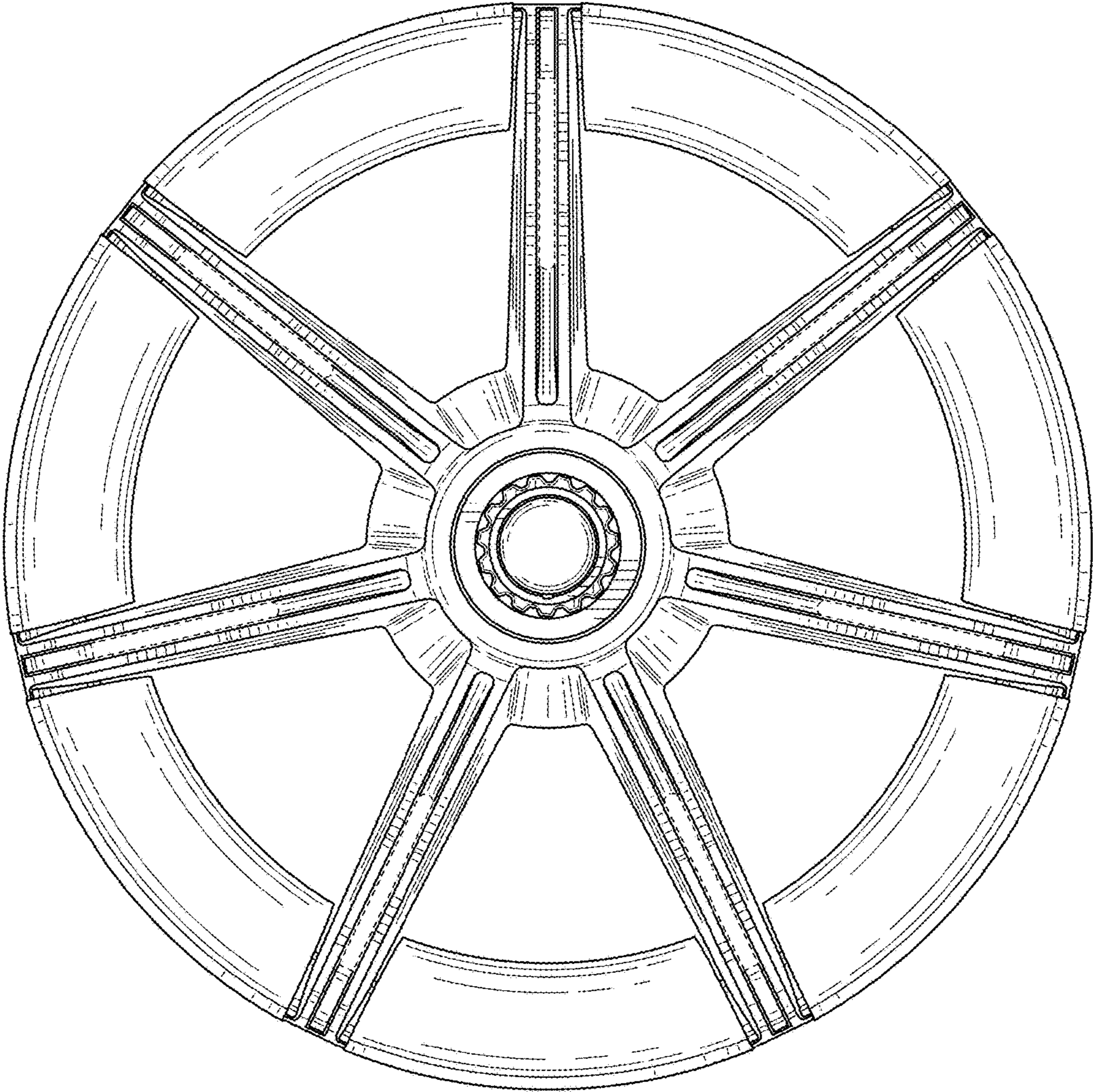


FIG. 2

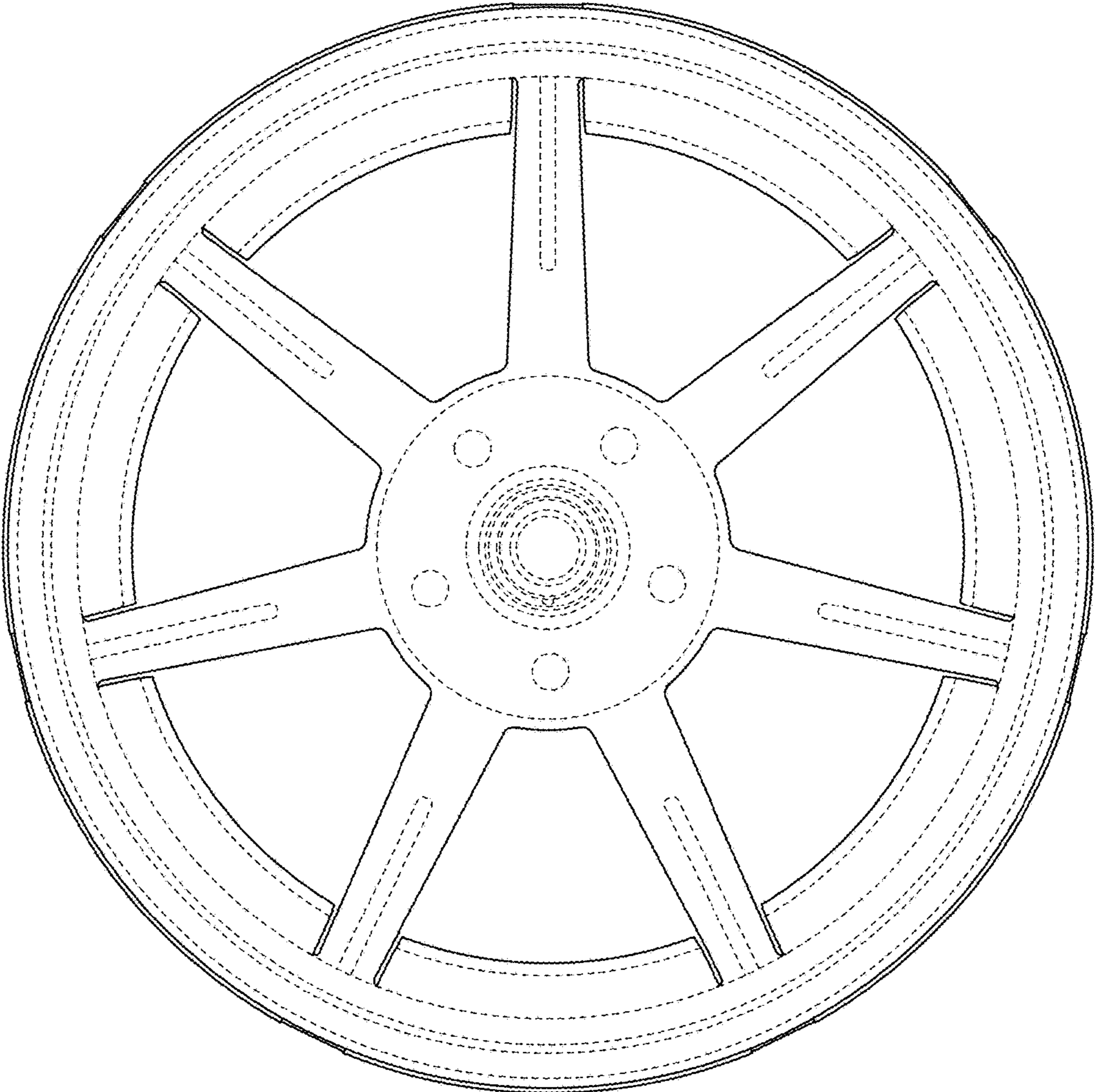


FIG. 3

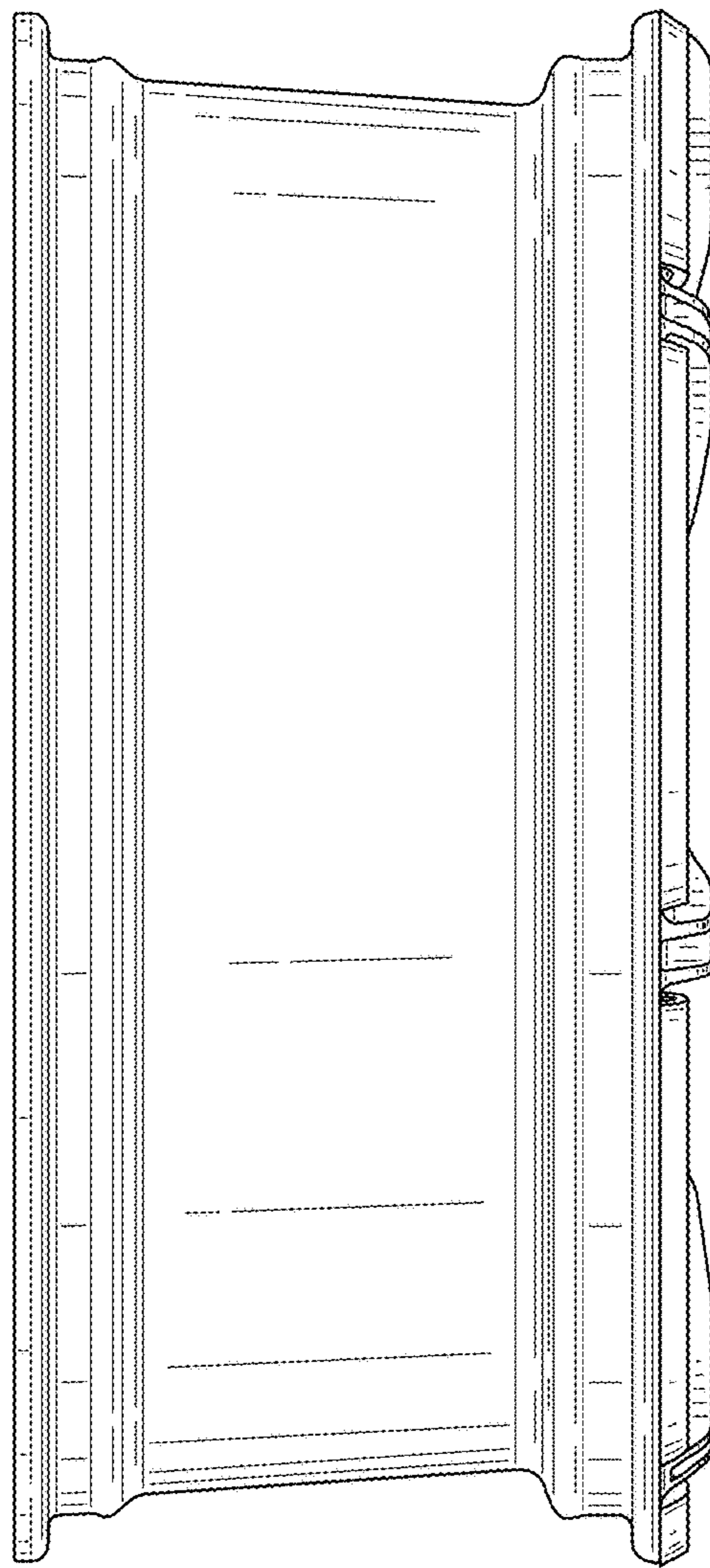
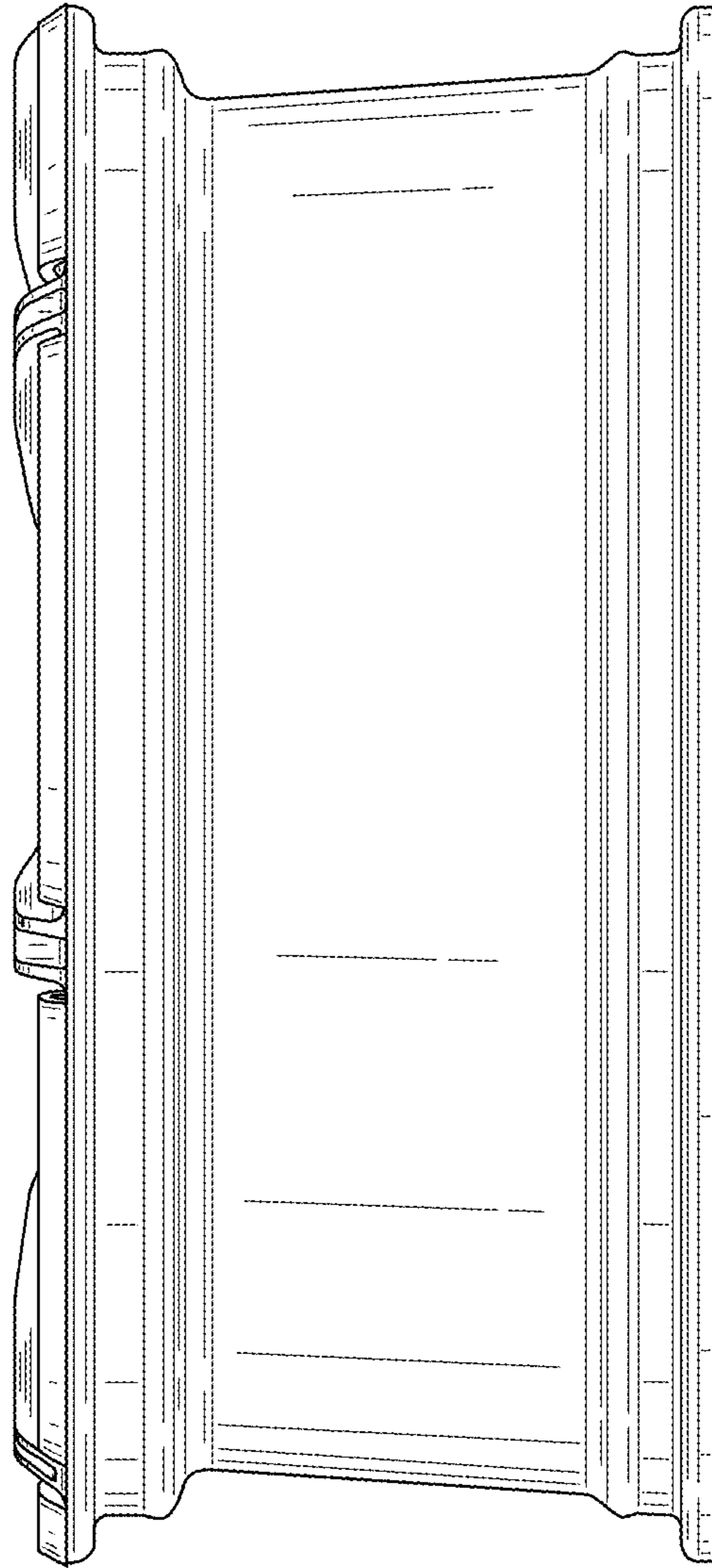


FIG. 4



**FIG. 5**

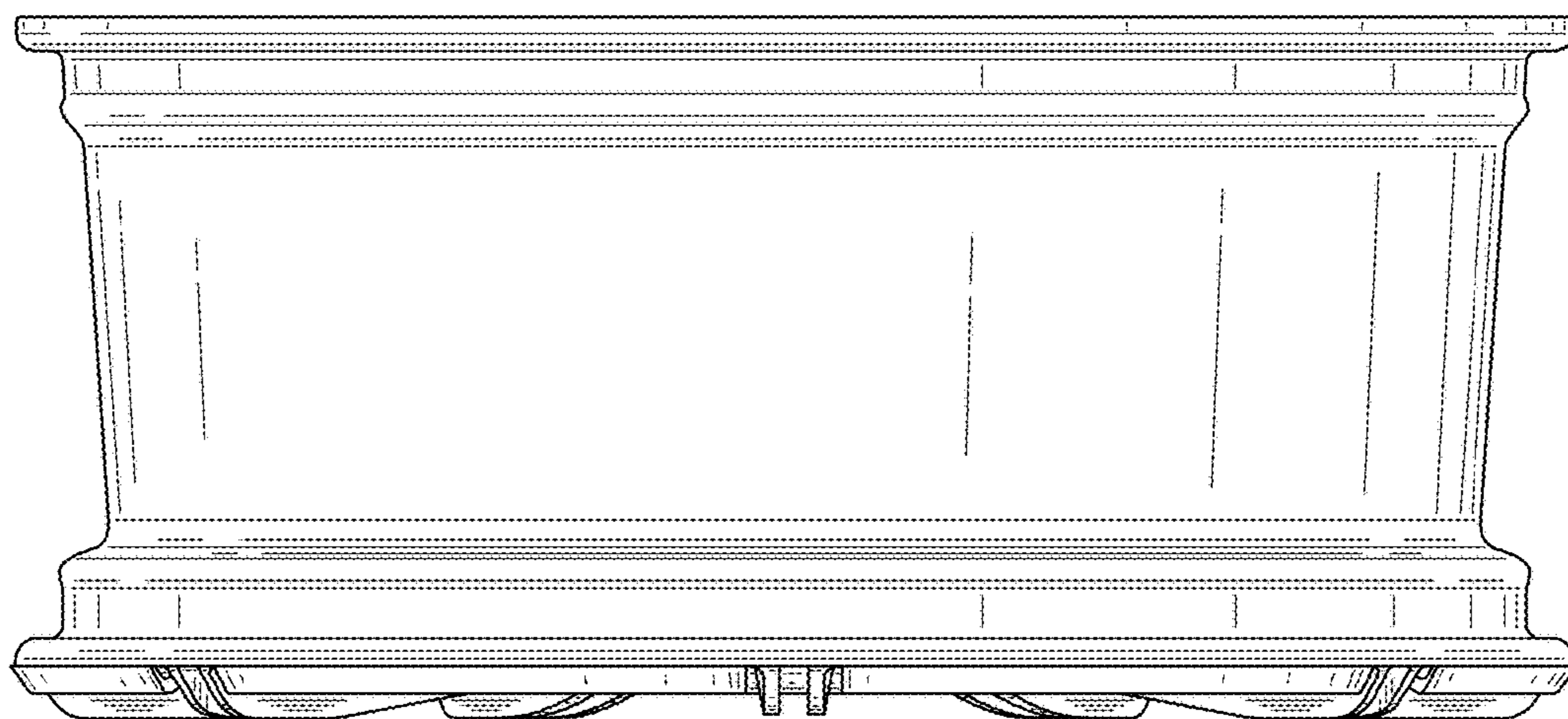


FIG. 6

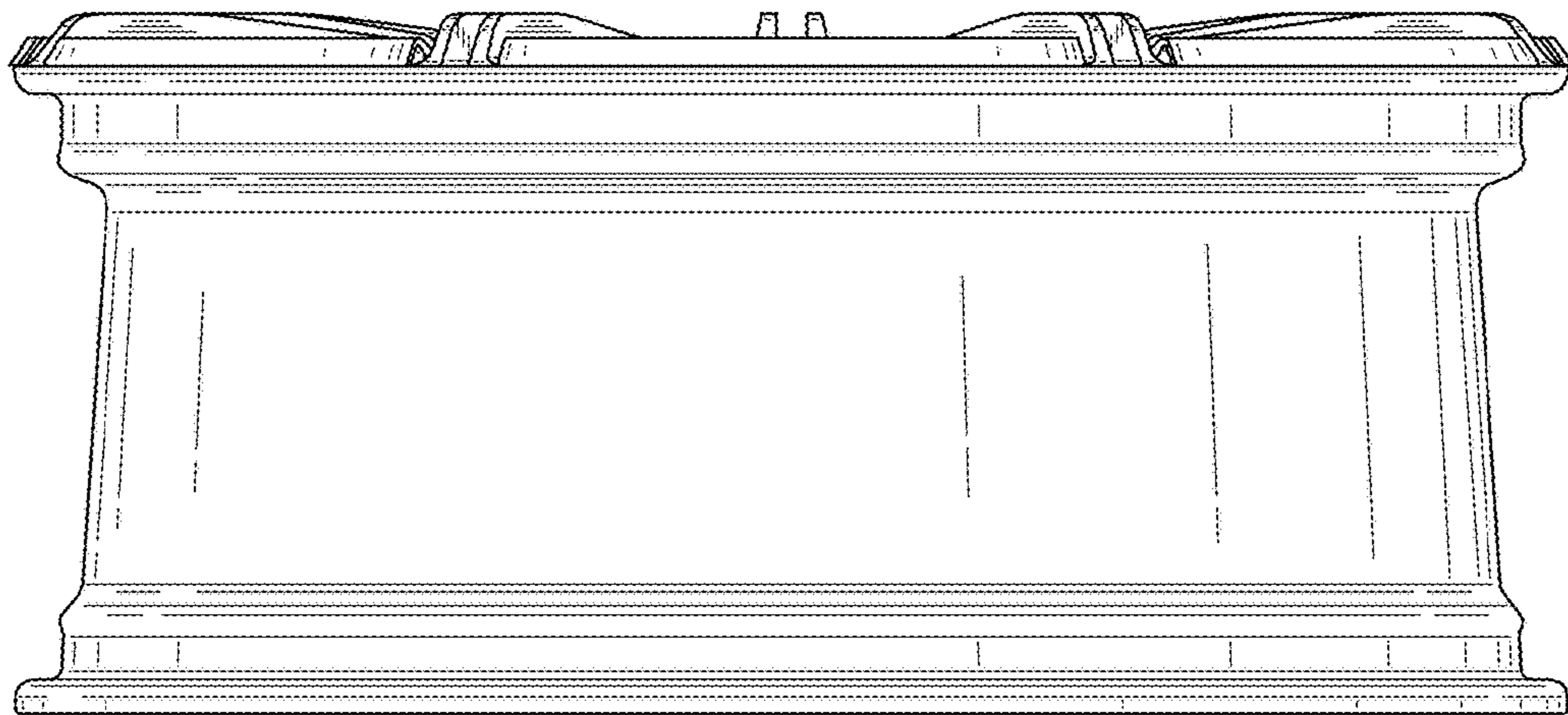


FIG. 7